



US00D802645S

(12) **United States Design Patent**
Siminoff et al.

(10) **Patent No.:** **US D802,645 S**

(45) **Date of Patent:** **** Nov. 14, 2017**

(54) **FLOODLIGHT CONTROLLER WITH CAMERA**

(71) Applicant: **BOT Home Automation, Inc.**, Santa Monica, CA (US)

(72) Inventors: **James Siminoff**, Pacific Palisades, CA (US); **John Modestine**, Los Angeles, CA (US); **Mark Siminoff**, Mountain View, CA (US); **Christopher Loew**, Palo Alto, CA (US)

(**) Term: **15 Years**

(21) Appl. No.: **29/583,174**

(22) Filed: **Nov. 2, 2016**

(51) **LOC (10) Cl.** **16-01**

(52) **U.S. Cl.**
USPC **D16/203**

(58) **Field of Classification Search**
USPC D16/200, 202-207, 208, 218, 219;
348/143, 148, 151, 373-376; 396/419,
396/427, 535, 539-541
CPC G03B 17/02; G03B 19/04; G03B 17/56;
G03B 17/04; G03B 15/03; H04N 5/2251;
H04N 5/2252; H04N 5/2253; H04N
5/2254; H04N 7/181; H04N 7/183; H04N
7/18; G08B 13/1963; G08B 13/19619;
G08B 13/19632; F16M 11/04; F16M
13/00

See application file for complete search history.

(56) **References Cited**

U.S. PATENT DOCUMENTS

D638,458 S * 5/2011 Miyamori D16/202
D649,573 S * 11/2011 Al D16/202
D697,119 S * 1/2014 Park D16/202
D721,754 S * 1/2015 Chen D16/202
D741,932 S * 10/2015 Huang D16/202

D743,467 S * 11/2015 Bhattacharya D16/203
D747,383 S * 1/2016 Li D16/203
D754,231 S * 4/2016 Murray D16/202
D754,767 S * 4/2016 Sandy D16/202
D755,875 S * 5/2016 Geng H04N 5/2251
D16/203
D788,834 S * 6/2017 Bhattacharya D16/203
2013/0038728 A1 * 2/2013 Kim H04N 5/2256
348/143
2014/0160349 A1 * 6/2014 Huang H04N 5/2252
348/375

* cited by examiner

Primary Examiner — Philip S Hyder
Assistant Examiner — Ramzi Almatrahi

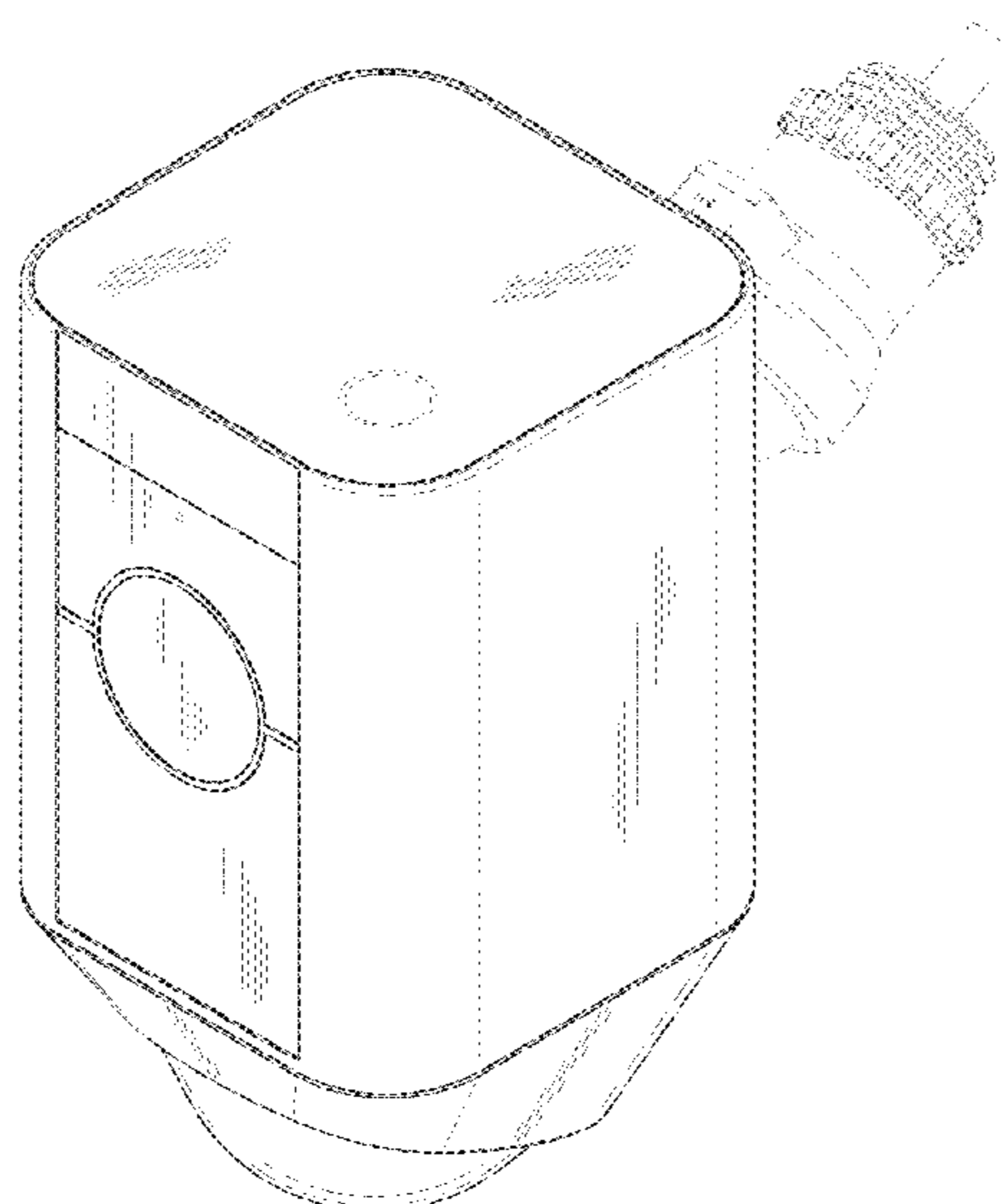
(57) **CLAIM**

The ornamental design for a floodlight controller with camera, as shown and described.

DESCRIPTION

FIG. 1 is a front perspective view of a floodlight controller with camera according to the present design;
FIG. 2 is a front elevational view of the floodlight controller with camera of FIG. 1;
FIG. 3 is a rear elevational view of the floodlight controller with camera of FIG. 1;
FIG. 4 is a right-side elevational view of the floodlight controller with camera of FIG. 1;
FIG. 5 is a left-side elevational view of the floodlight controller with camera of FIG. 1;
FIG. 6 is a top plan view of the floodlight controller with camera of FIG. 1; and,
FIG. 7 is a bottom plan view of the floodlight controller with camera of FIG. 1.
The broken lines depict portions of a floodlight controller with camera in which the design is embodied that form no part of the claimed design.

1 Claim, 7 Drawing Sheets



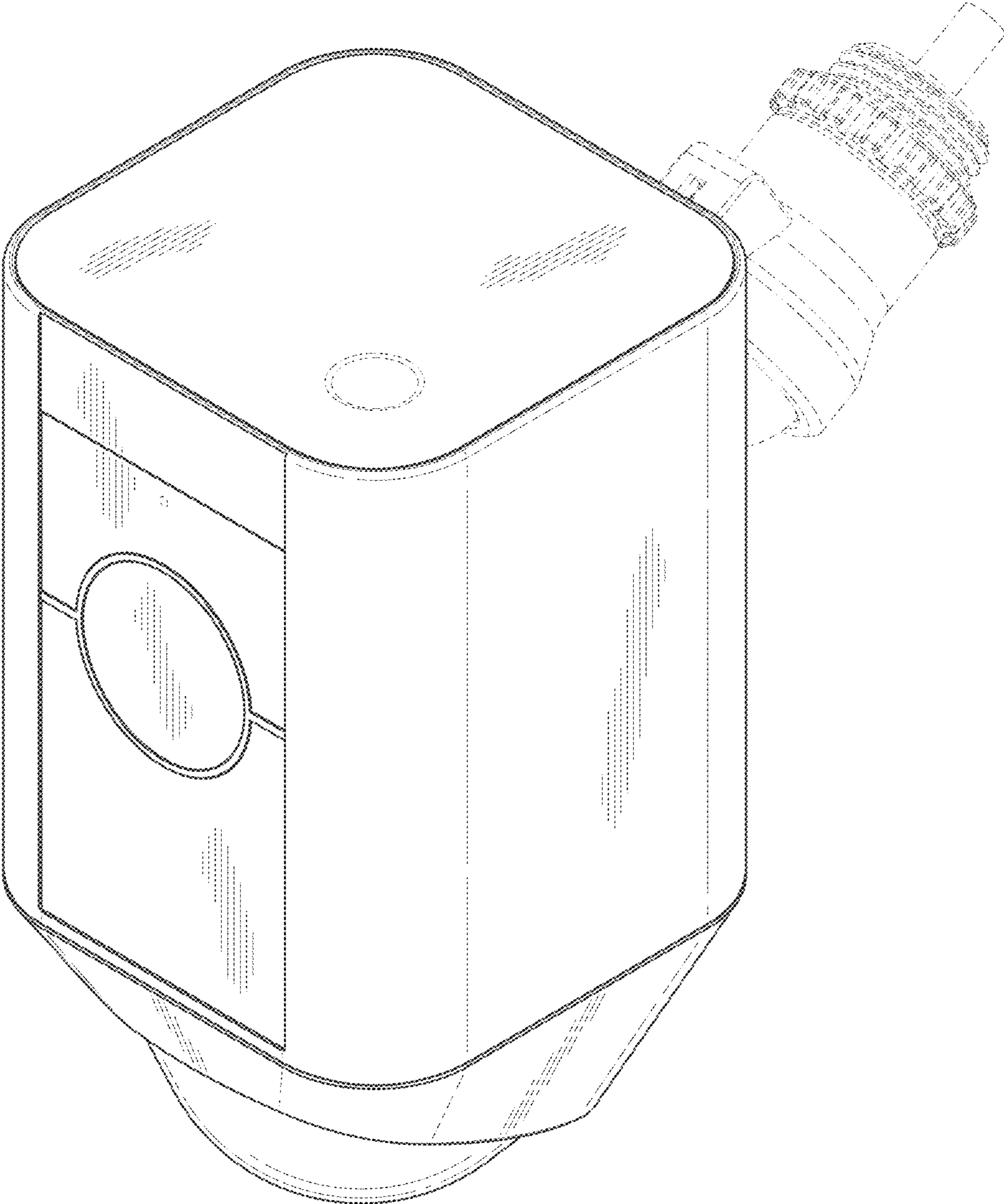


FIG. 1

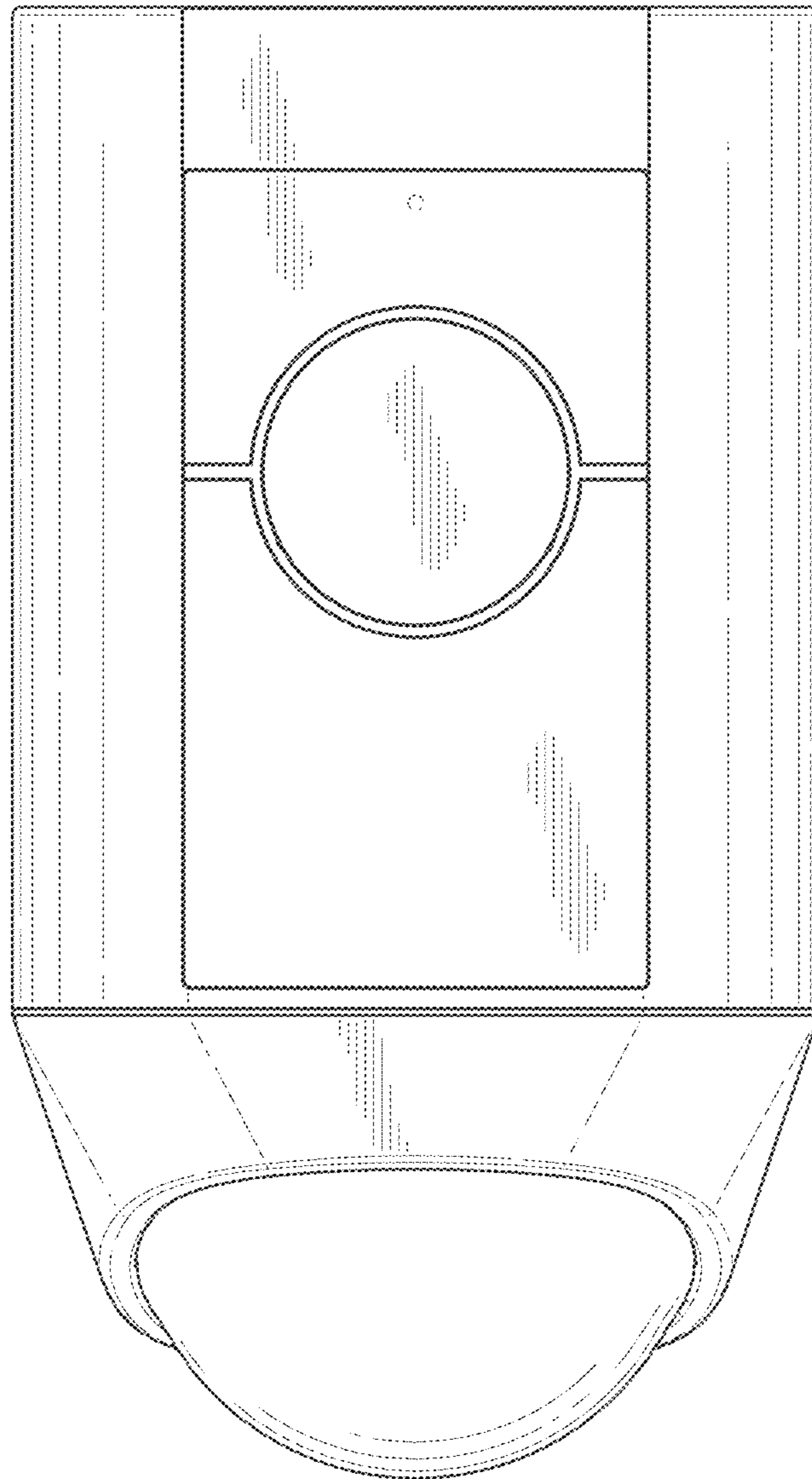


FIG. 2

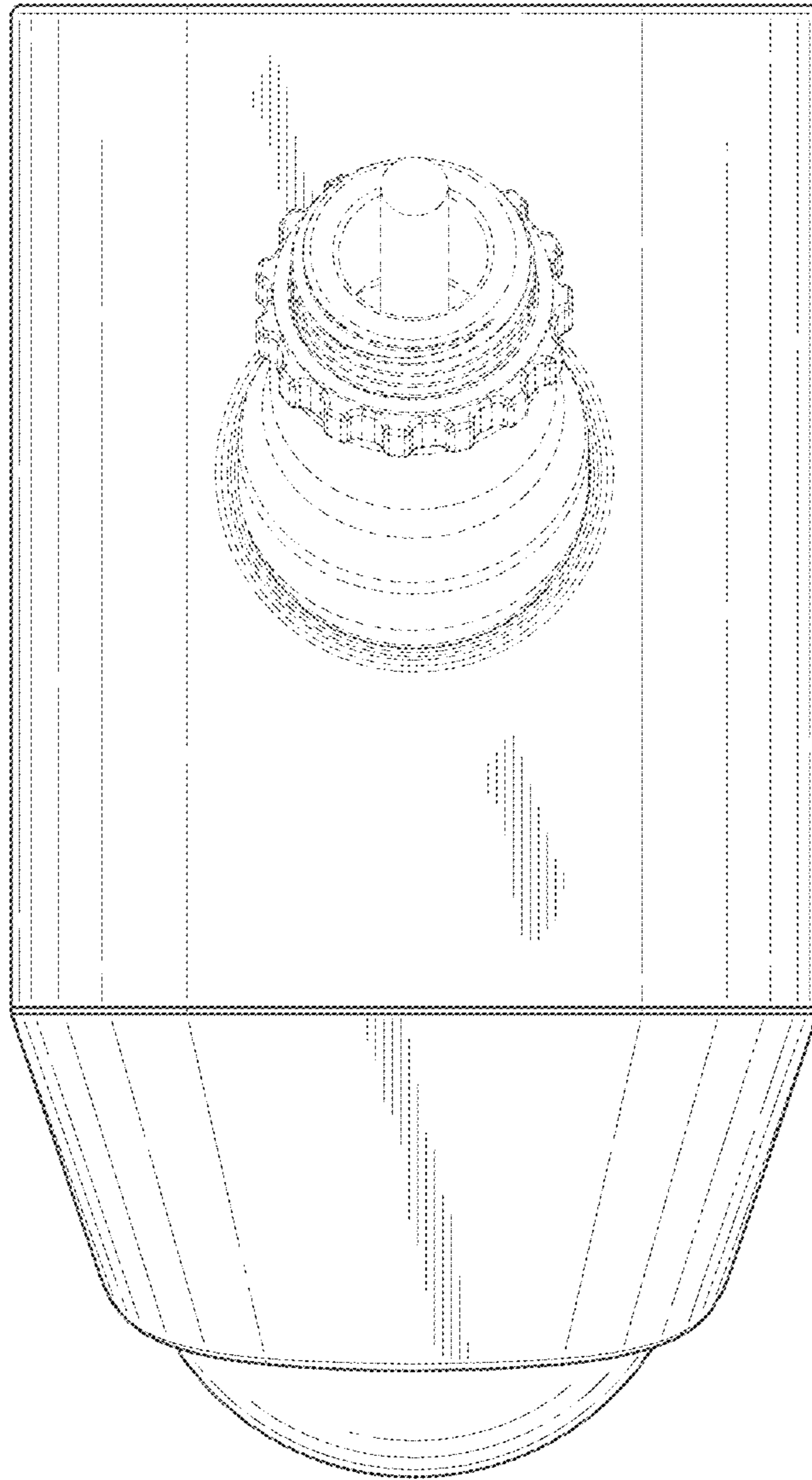


FIG. 3

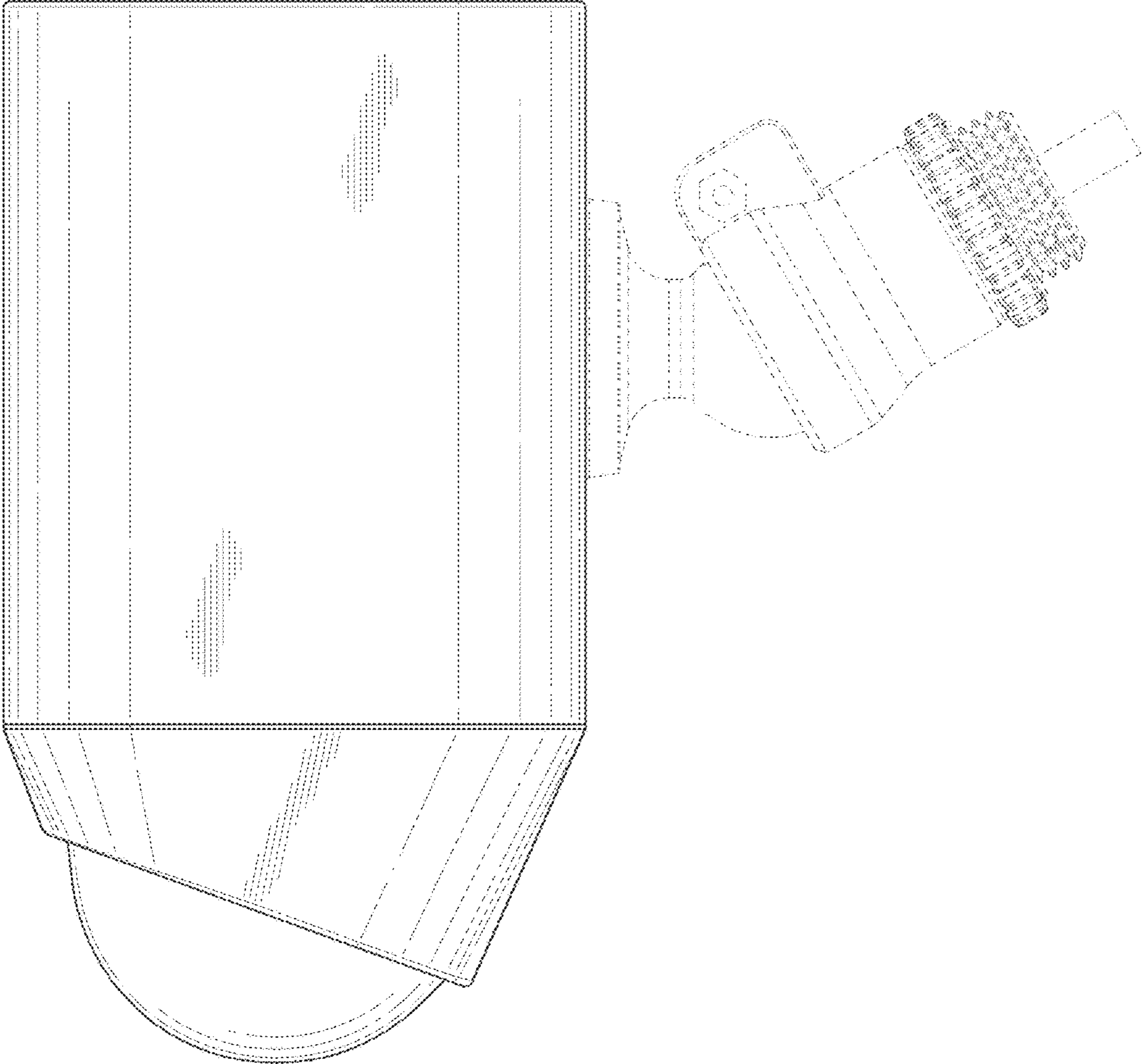


FIG. 4

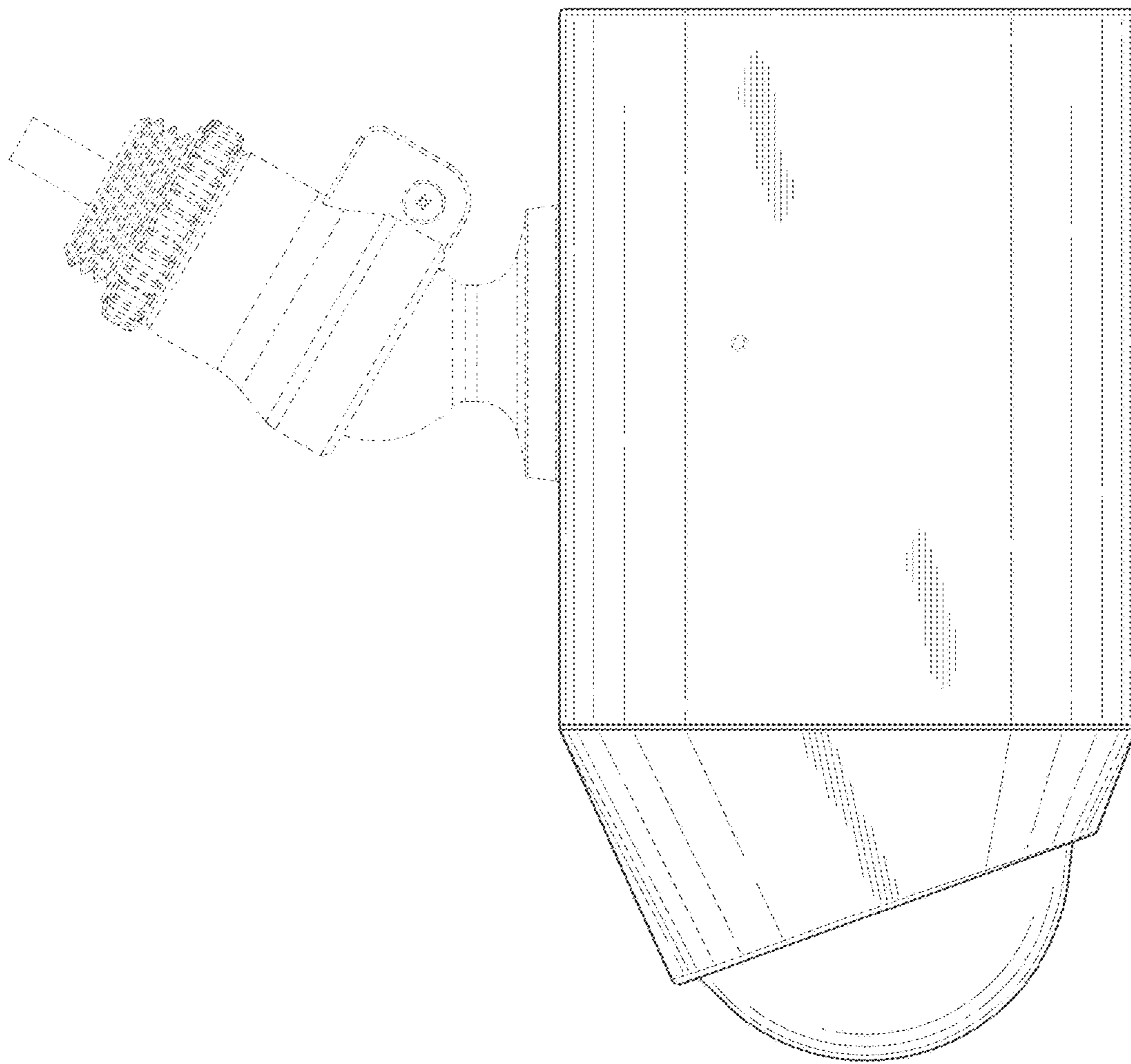


FIG. 5

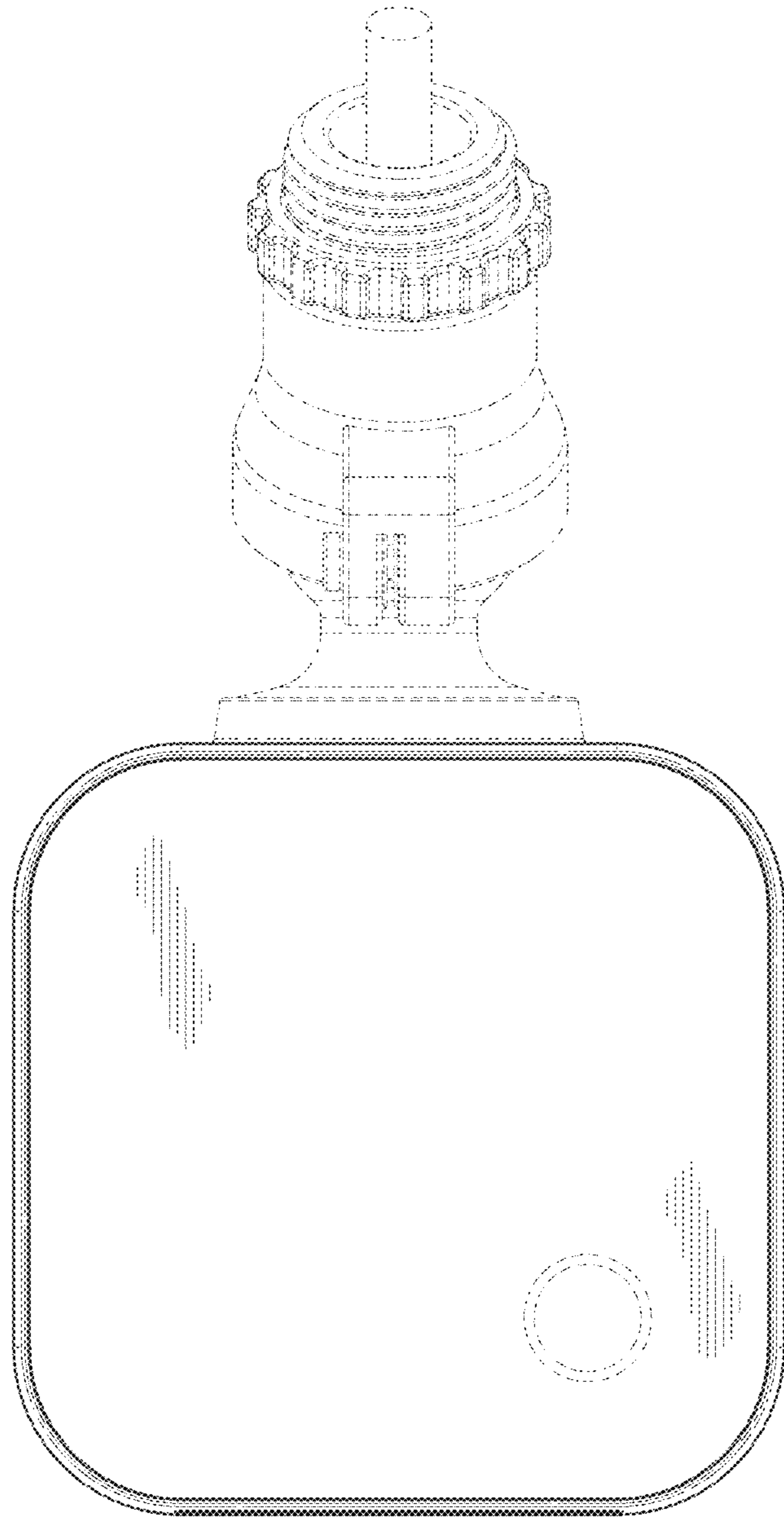


FIG. 6

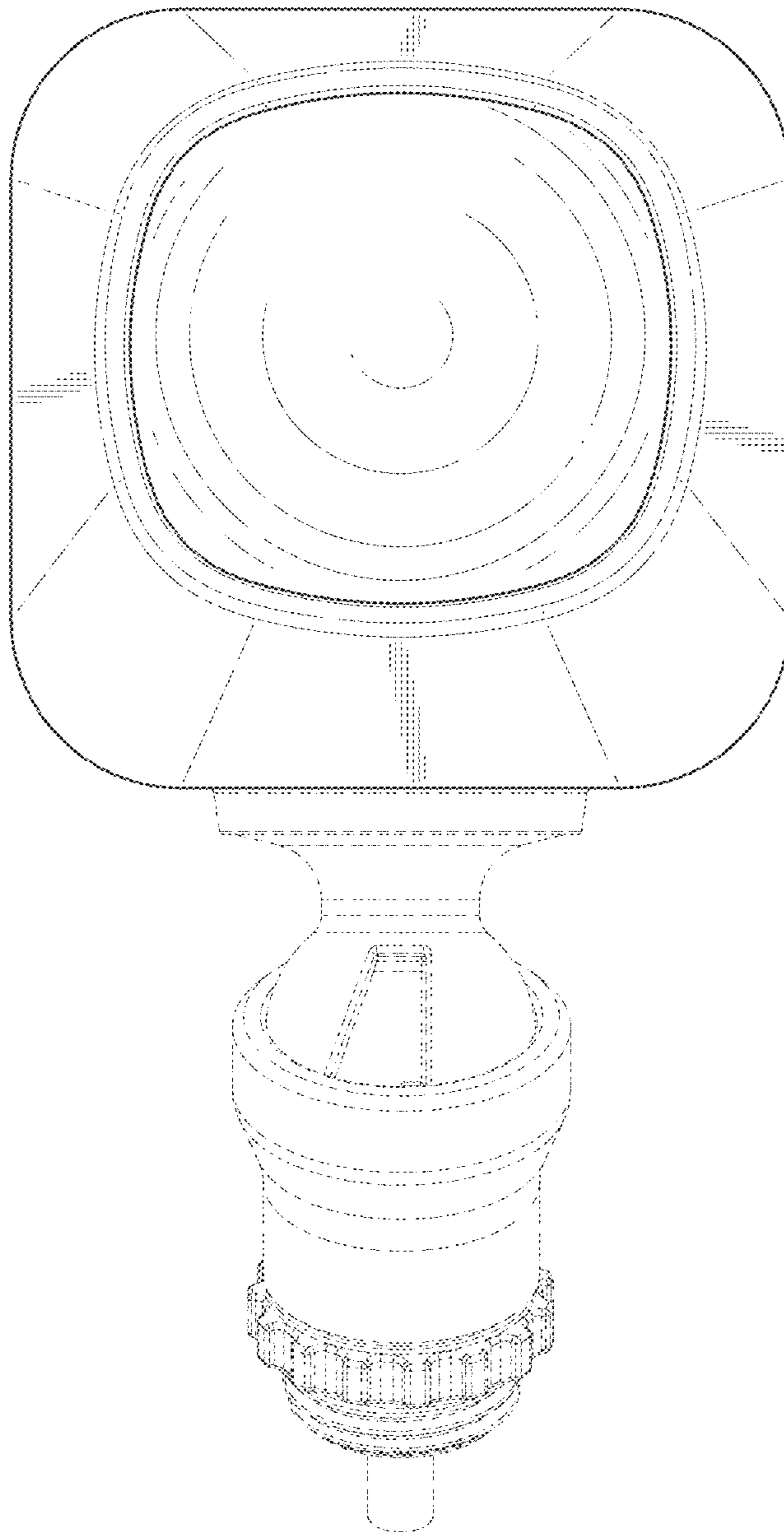


FIG. 7