

US00D802644S

(12) **United States Design Patent** (10) **Patent No.:** **US D802,644 S**  
**Lee** (45) **Date of Patent:** **\*\* Nov. 14, 2017**

(54) **DIGITAL CAMERA**  
(71) Applicant: **Transcend Information, Inc.**, Taipei (TW)  
(72) Inventor: **Yu-Wei Lee**, New Taipei (TW)  
(73) Assignee: **Transcend Information, Inc.**, Taipei (TW)  
(\*\*) Term: **15 Years**  
(21) Appl. No.: **29/560,579**  
(22) Filed: **Apr. 7, 2016**  
(51) **LOC (10) Cl.** ..... **16-01**  
(52) **U.S. Cl.**  
USPC ..... **D16/202**  
(58) **Field of Classification Search**  
USPC ..... D16/200-220, 242, 244, 245  
CPC ..... H04N 5/77; H04N 5/23245; B60R 11/04;  
B60R 2011/0003; B60R 2011/0033;  
G07C 5/0891  
See application file for complete search history.

D524,839 S \* 7/2006 Wen ..... D16/202  
D561,798 S \* 2/2008 Wen ..... D16/202  
D600,733 S \* 9/2009 Kim ..... D16/218  
D605,213 S \* 12/2009 Liu ..... D16/208  
D643,056 S \* 8/2011 Zaliauskas ..... D16/202  
D651,632 S \* 1/2012 Kim ..... D16/202  
D659,732 S \* 5/2012 Kim ..... D16/202  
D662,959 S \* 7/2012 Choi ..... D16/202  
D692,473 S \* 10/2013 Kawaguchi ..... D16/202  
D697,122 S \* 1/2014 Ikegame ..... D16/218  
D706,331 S \* 6/2014 Sakai ..... D16/219  
D729,295 S \* 5/2015 Onruang ..... D16/202  
2013/0038728 A1\* 2/2013 Kim ..... H04N 5/2256  
348/143  
2015/0316979 A1\* 11/2015 Onruang ..... H04N 5/77  
348/158

\* cited by examiner

*Primary Examiner* — Susan E Krakower  
*Assistant Examiner* — L. A. Grabenstetter  
(74) *Attorney, Agent, or Firm* — Winston Hsu

(57) **CLAIM**

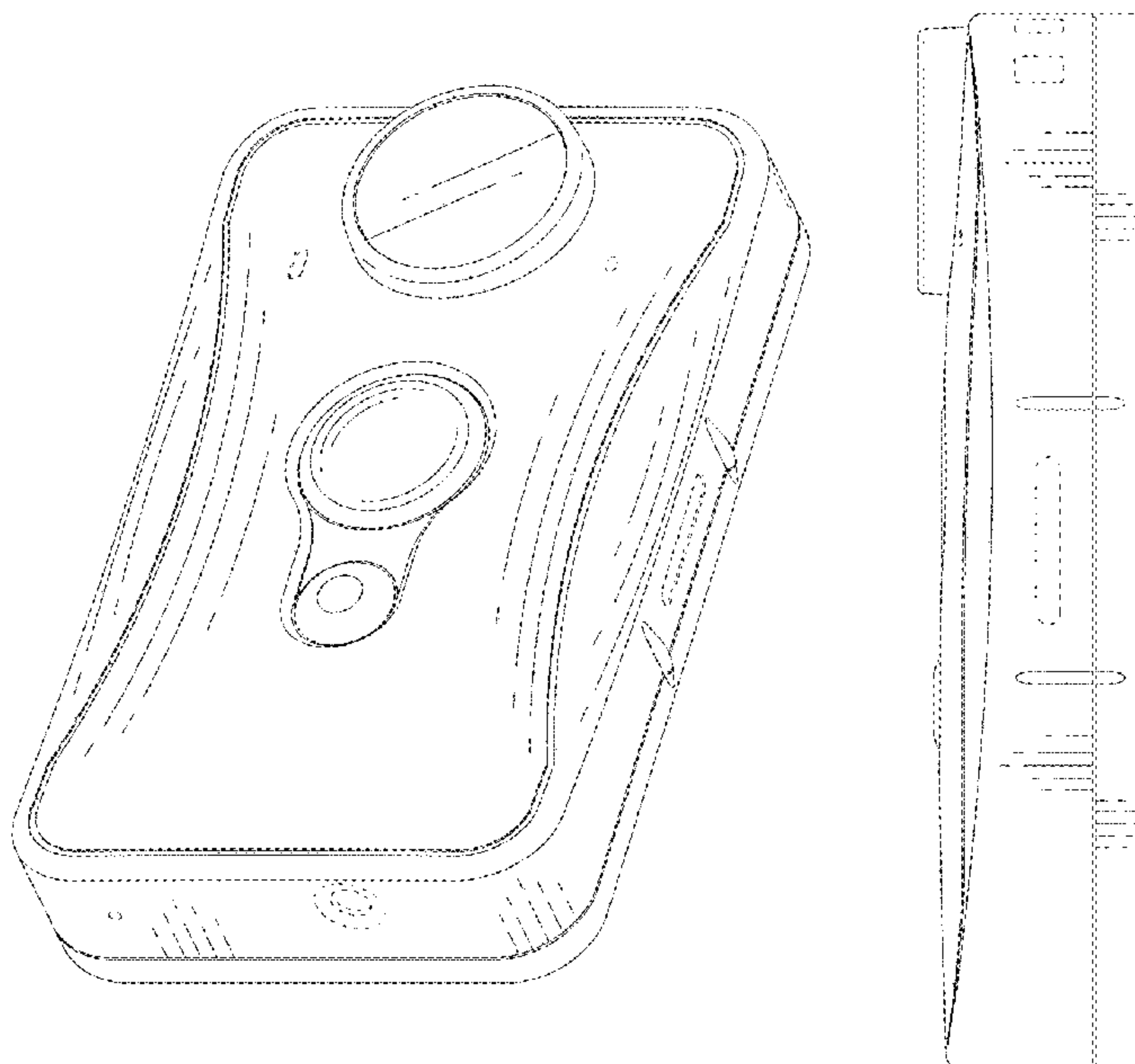
The ornamental design for a digital camera, as shown and described.

**DESCRIPTION**

FIG. 1 is a front, right, bottom perspective view of a digital camera showing my new design;  
FIG. 2 is a front view thereof;  
FIG. 3 is a rear view thereof;  
FIG. 4 is a left side view thereof;  
FIG. 5 is a right side view thereof;  
FIG. 6 is a top view thereof; and,  
FIG. 7 is a bottom view thereof.  
The broken lines depict unclaimed portions of the digital camera.

**1 Claim, 7 Drawing Sheets**

(56) **References Cited**  
U.S. PATENT DOCUMENTS  
D264,975 S \* 6/1982 Schlagheck ..... D16/218  
D376,146 S \* 12/1996 Totsch ..... D14/155  
D426,843 S \* 6/2000 Tanaka ..... D16/202  
D464,365 S \* 10/2002 Su ..... D16/202  
D470,874 S \* 2/2003 Chiu ..... D16/202  
D475,381 S \* 6/2003 Komatsu ..... D16/202  
D477,344 S \* 7/2003 Ng ..... D16/202  
D481,404 S \* 10/2003 Ng ..... D16/202  
D484,520 S \* 12/2003 Jin ..... D16/202  
D490,457 S \* 5/2004 Kimbre ..... D14/240  
D496,355 S \* 9/2004 Harshbarger ..... D14/248  
D523,054 S \* 6/2006 Yoo ..... D16/202



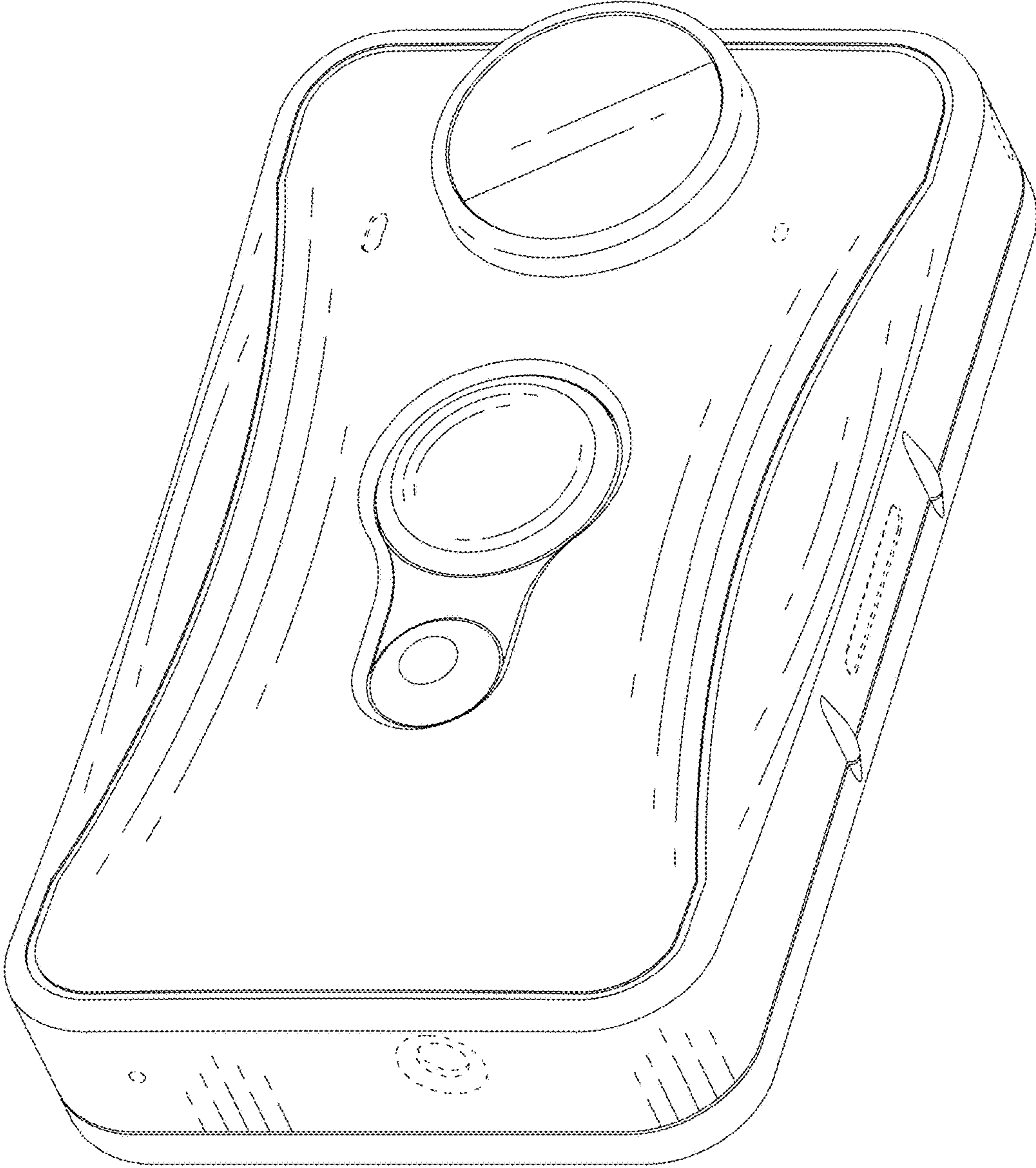


FIG. 1

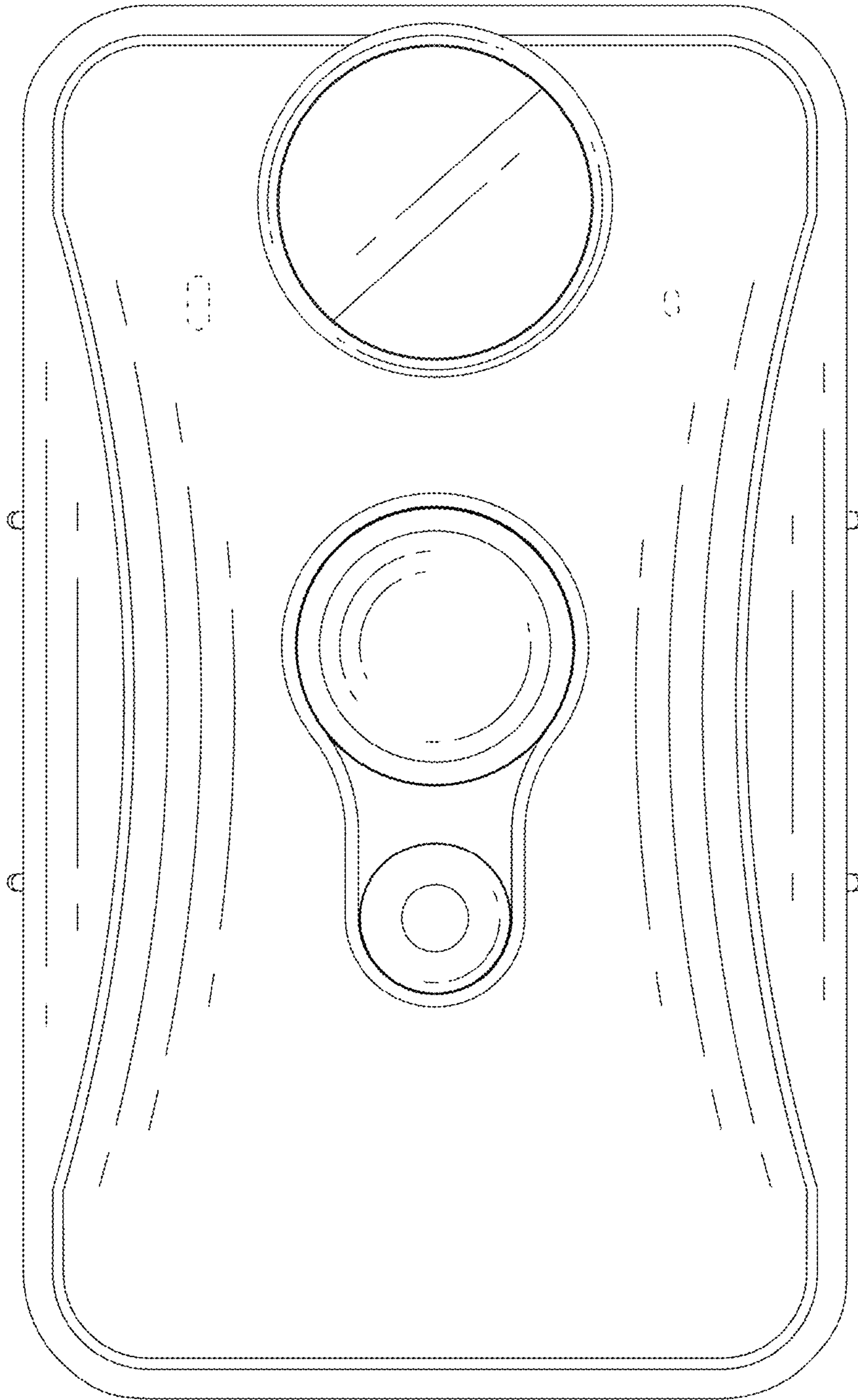


FIG. 2

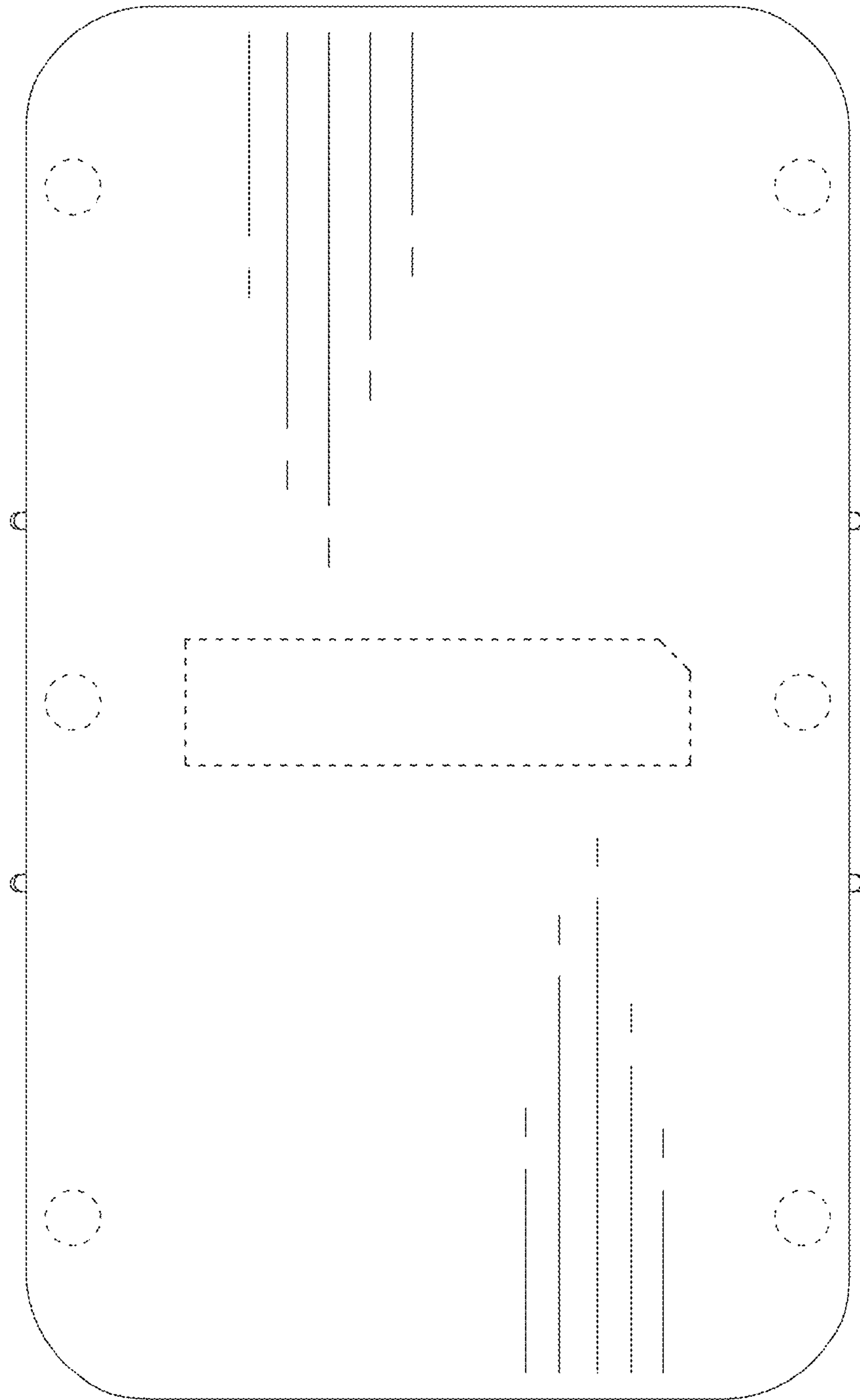


FIG. 3



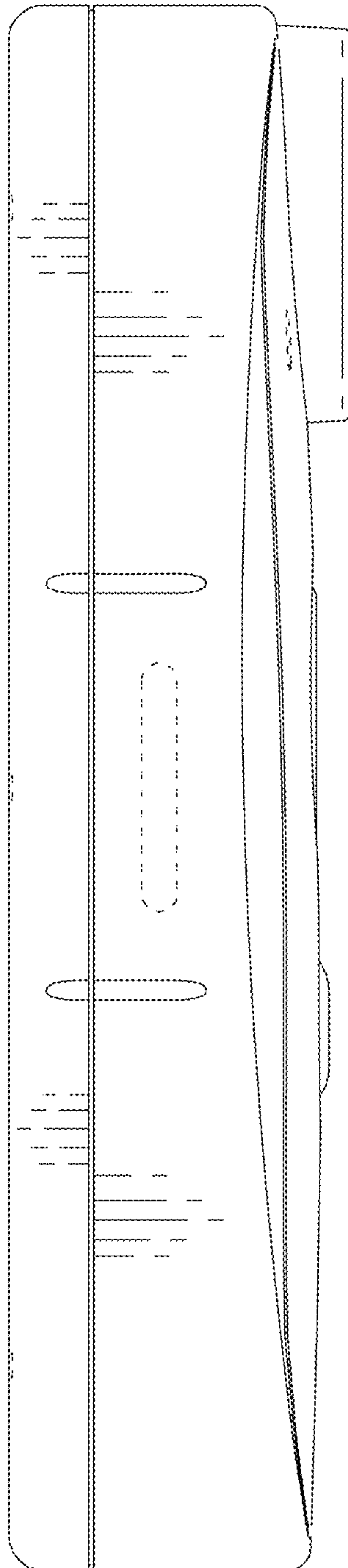


FIG. 4

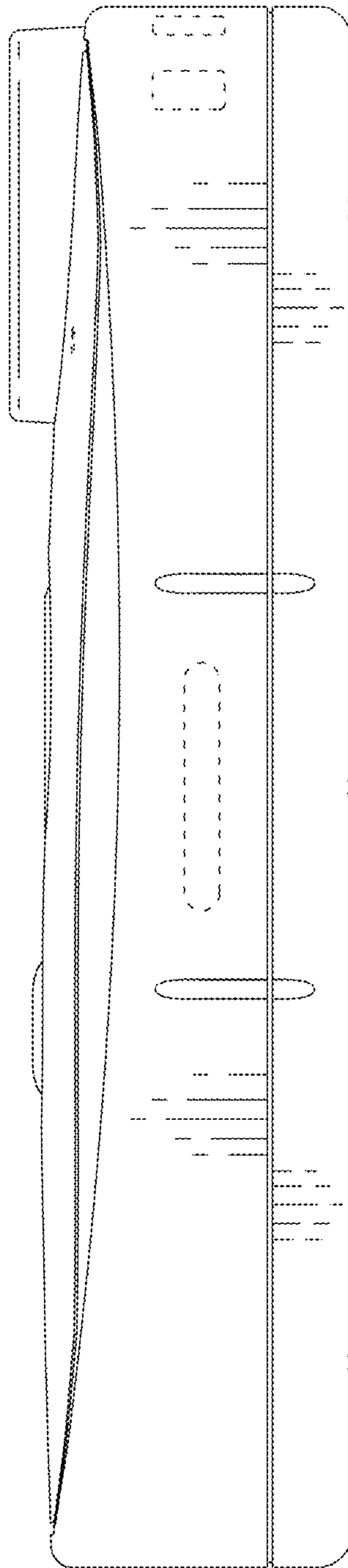


FIG. 5

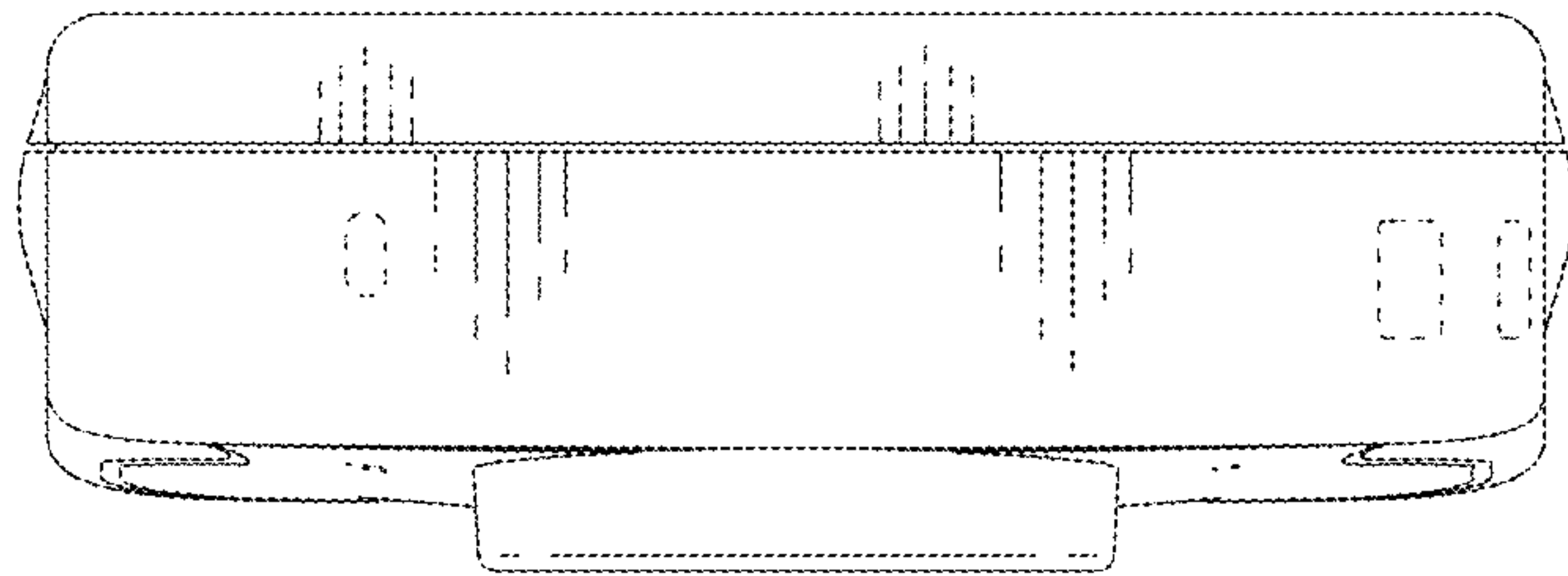


FIG. 6

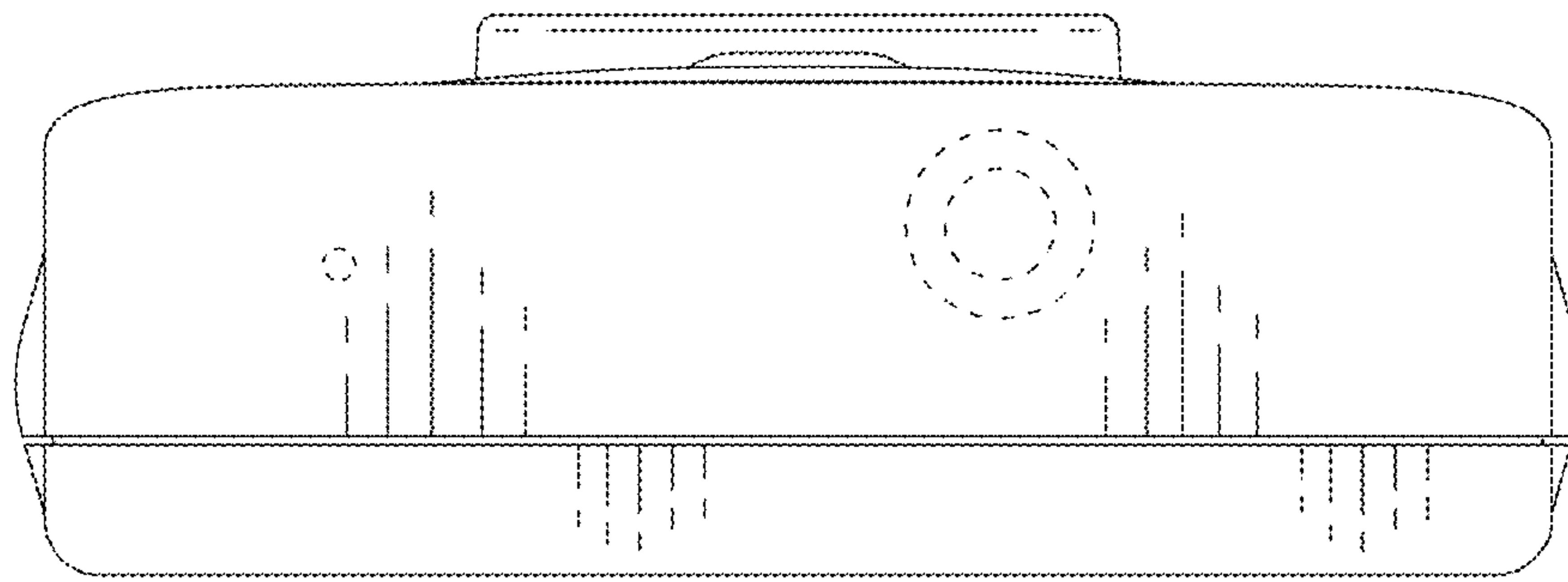


FIG. 7