



US00D802642S

(12) **United States Design Patent**
Eirich

(10) **Patent No.:** **US D802,642 S**

(45) **Date of Patent:** **** Nov. 14, 2017**

- (54) **FULLY AUTOMATIC SELF ADJUSTING HAND ROLLOR**
- (71) Applicant: **William S. Eirich**, Jerome, ID (US)
- (72) Inventor: **William S. Eirich**, Jerome, ID (US)
- (**) Term: **15 Years**
- (21) Appl. No.: **29/505,910**
- (22) Filed: **Apr. 4, 2016**
- (51) **LOC (10) Cl.** **15-99**
- (52) **U.S. Cl.**
USPC **D15/199**
- (58) **Field of Classification Search**
USPC D8/16, 45, 90; D15/135, 136, 138, 199
CPC B24B 9/00; B24D 15/026; B25B 27/146;
E04F 21/02; E04F 21/08; E04F 21/0053;
E04F 21/1655; Y10T 29/5343; Y10T
29/53709; Y10T 29/49627
See application file for complete search history.

- 5,368,461 A * 11/1994 Murphy E04F 21/1655
15/235.3
- 5,765,772 A * 6/1998 Bay G11B 23/08778
242/340
- 5,792,489 A * 8/1998 Liberman E04F 21/1655
15/235.7
- 5,993,306 A * 11/1999 McCoy B24D 15/04
451/523
- 6,439,983 B1 * 8/2002 McCoy E04F 21/1655
451/354
- 6,484,782 B1 * 11/2002 Lewis E04F 21/08
156/577
- 6,729,949 B1 * 5/2004 McCoy B24B 9/00
451/344
- 6,733,262 B1 * 5/2004 Denkins B05C 17/00516
15/235.7
- D598,477 S * 8/2009 Rosso D15/138
- D599,831 S * 9/2009 Rosso D15/138
- D616,907 S 6/2010 Eirich

(Continued)

Primary Examiner — Patricia Palasik

(57) **CLAIM**

The ornamental design for a fully automatic self adjusting hand rollor, as shown and described.

DESCRIPTION

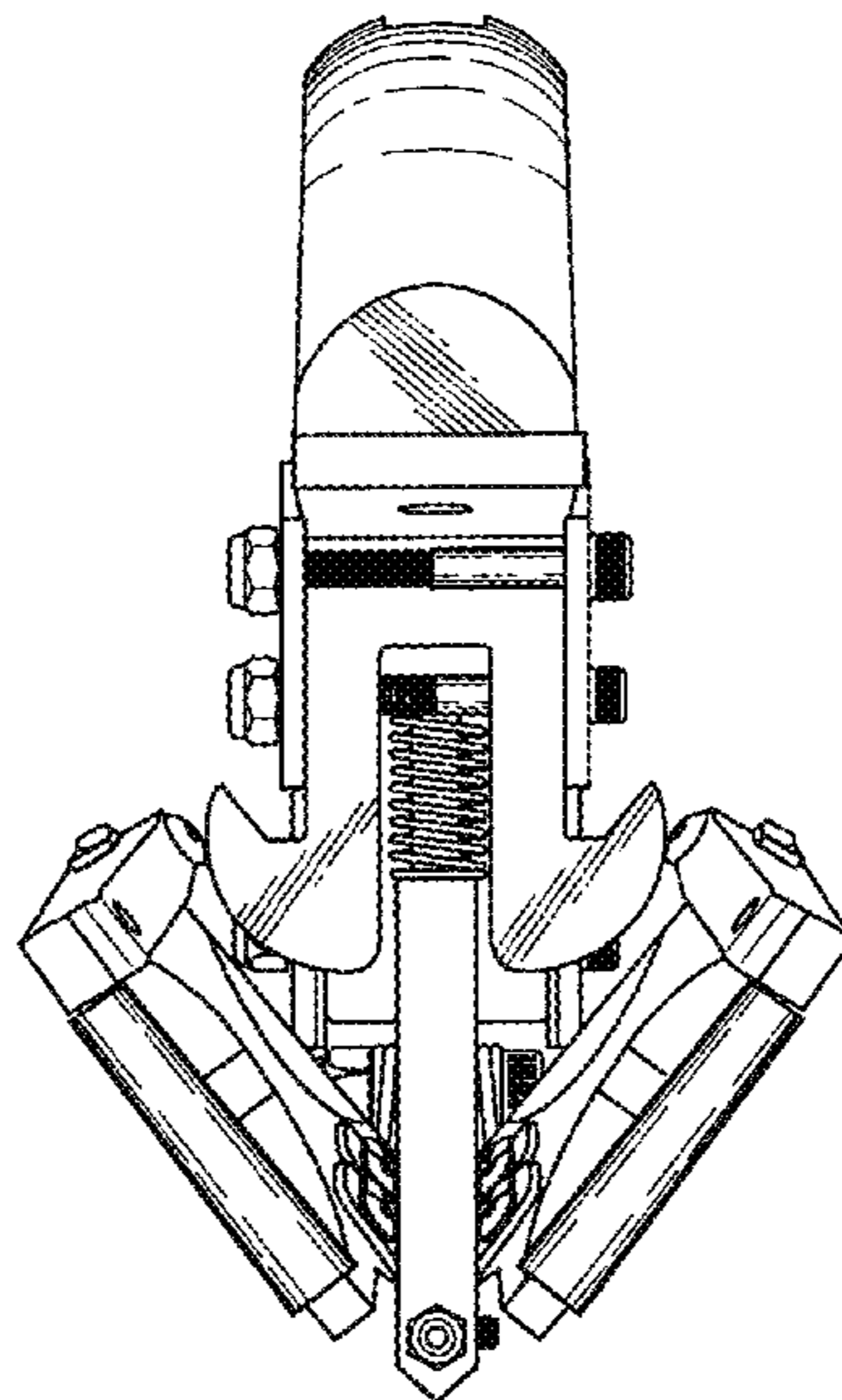
- FIG. 1 is a front view of a fully automatic self-adjusting hand rollor.
- FIG. 2 is a back view of a fully automatic self-adjusting hand rollor.
- FIG. 3 is a right side elevational view of a fully automatic self-adjusting hand rollor.
- FIG. 4 is a left side elevational view of a fully automatic self-adjusting hand rollor.
- FIG. 5 is a top plan view of a fully automatic self-adjusting hand rollor, and,
- FIG. 6 is a bottom plan view of a fully automatic self-adjusting hand rollor.

1 Claim, 6 Drawing Sheets

(56) **References Cited**

U.S. PATENT DOCUMENTS

- 2,594,606 A * 4/1952 Ames E04F 21/1655
401/11
- 3,241,174 A * 3/1966 Callahan E04F 21/1655
15/235.6
- 3,925,145 A * 12/1975 Ames B44C 7/08
156/579
- 4,032,283 A * 6/1977 Johnson B44D 3/105
118/411
- 4,116,604 A * 9/1978 Johnson E04F 21/02
15/235.7
- 4,230,441 A * 10/1980 Heronema E04F 21/1655
425/458
- 4,451,223 A * 5/1984 Mower E04F 21/1655
425/458
- 5,010,618 A * 4/1991 Croft B05C 17/10
15/235.7



(56)

References Cited

U.S. PATENT DOCUMENTS

8,572,827	B1 *	11/2013	Chou	E04F 21/0053	227/155
8,826,961	B2 *	9/2014	Castagnetta	B25G 3/38	156/574
9,447,591	B2 *	9/2016	McKay	E04F 21/161	
2004/0129387	A1 *	7/2004	Ibrahim	E04D 15/06	156/577

* cited by examiner

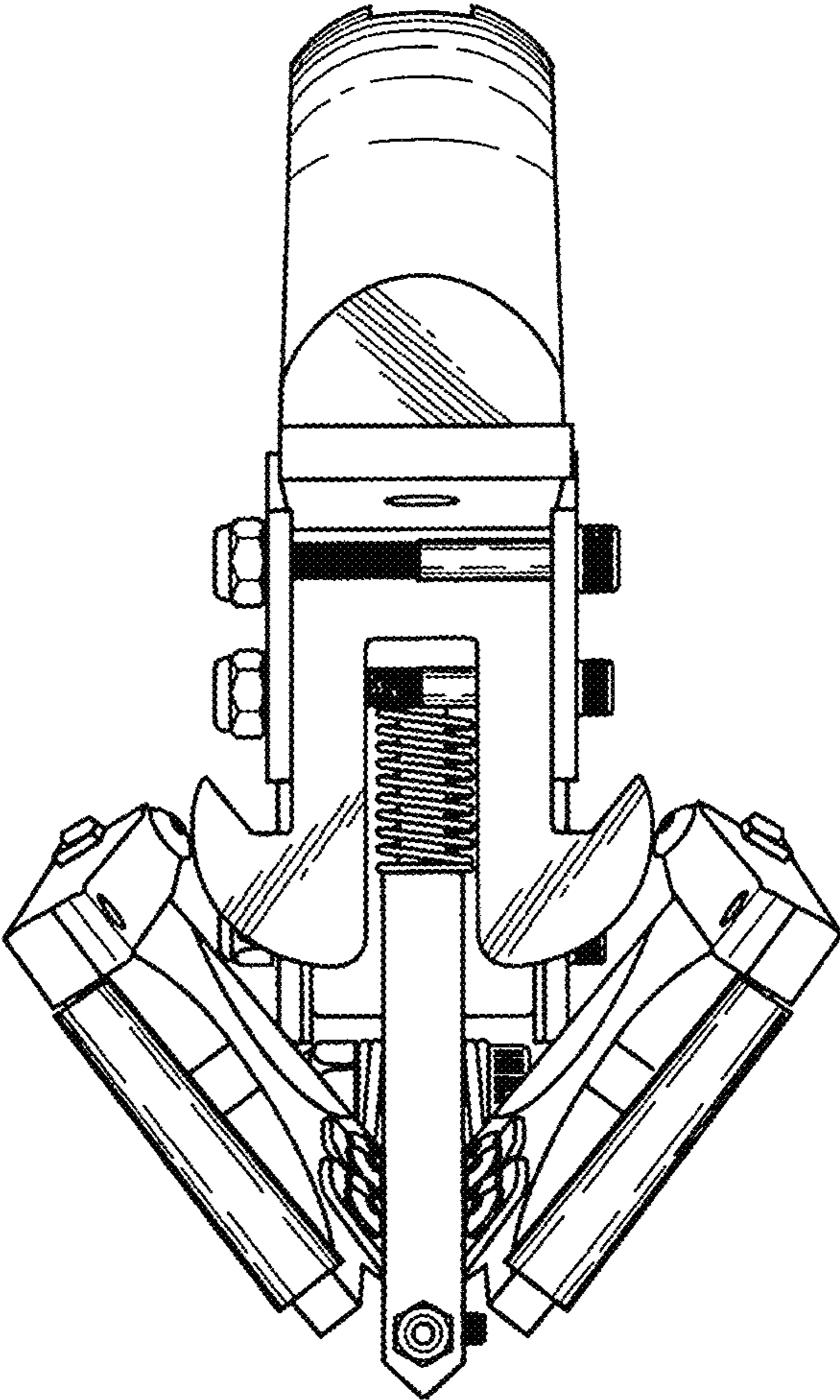


Fig. 1

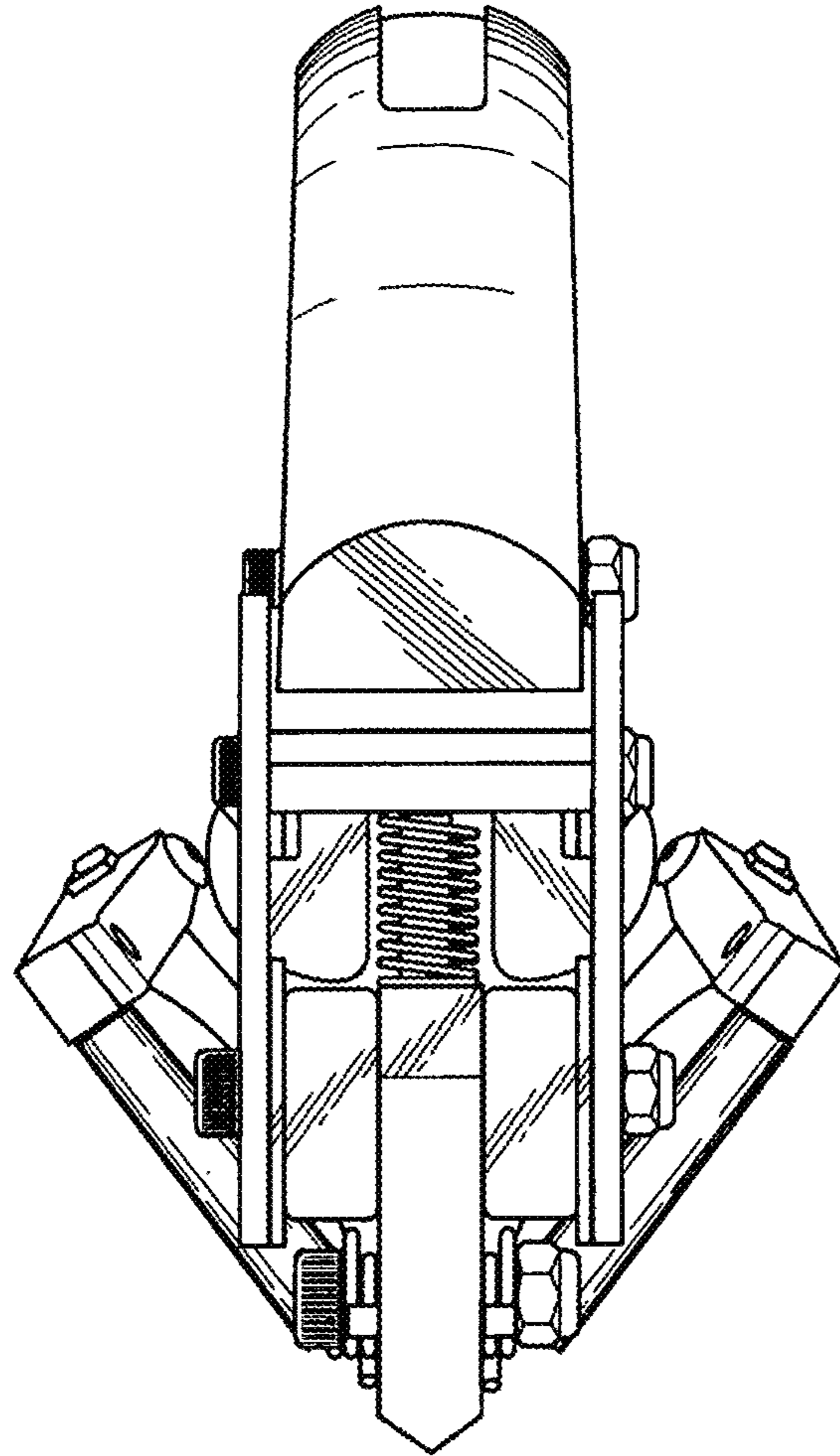


Fig. 2

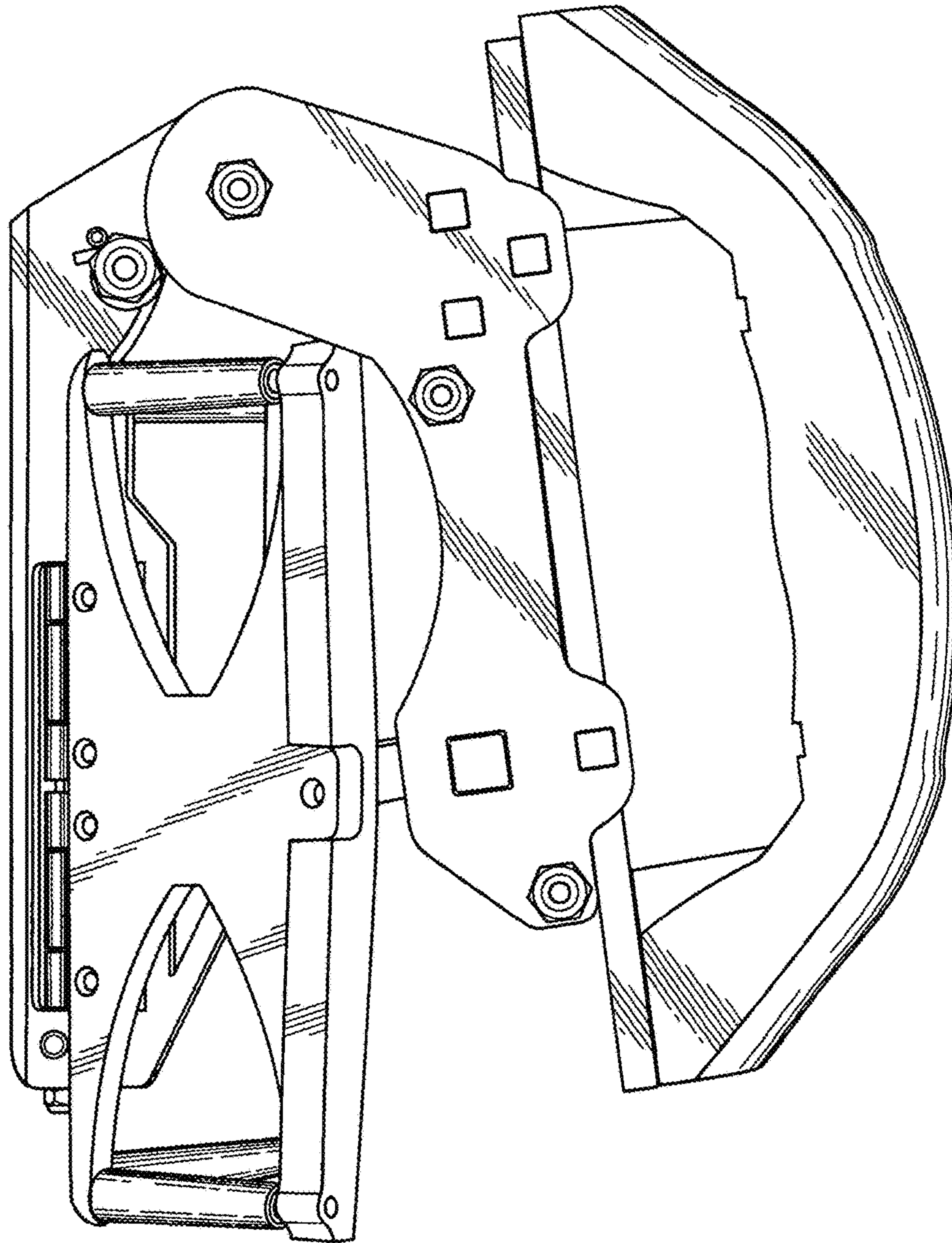


Fig. 3

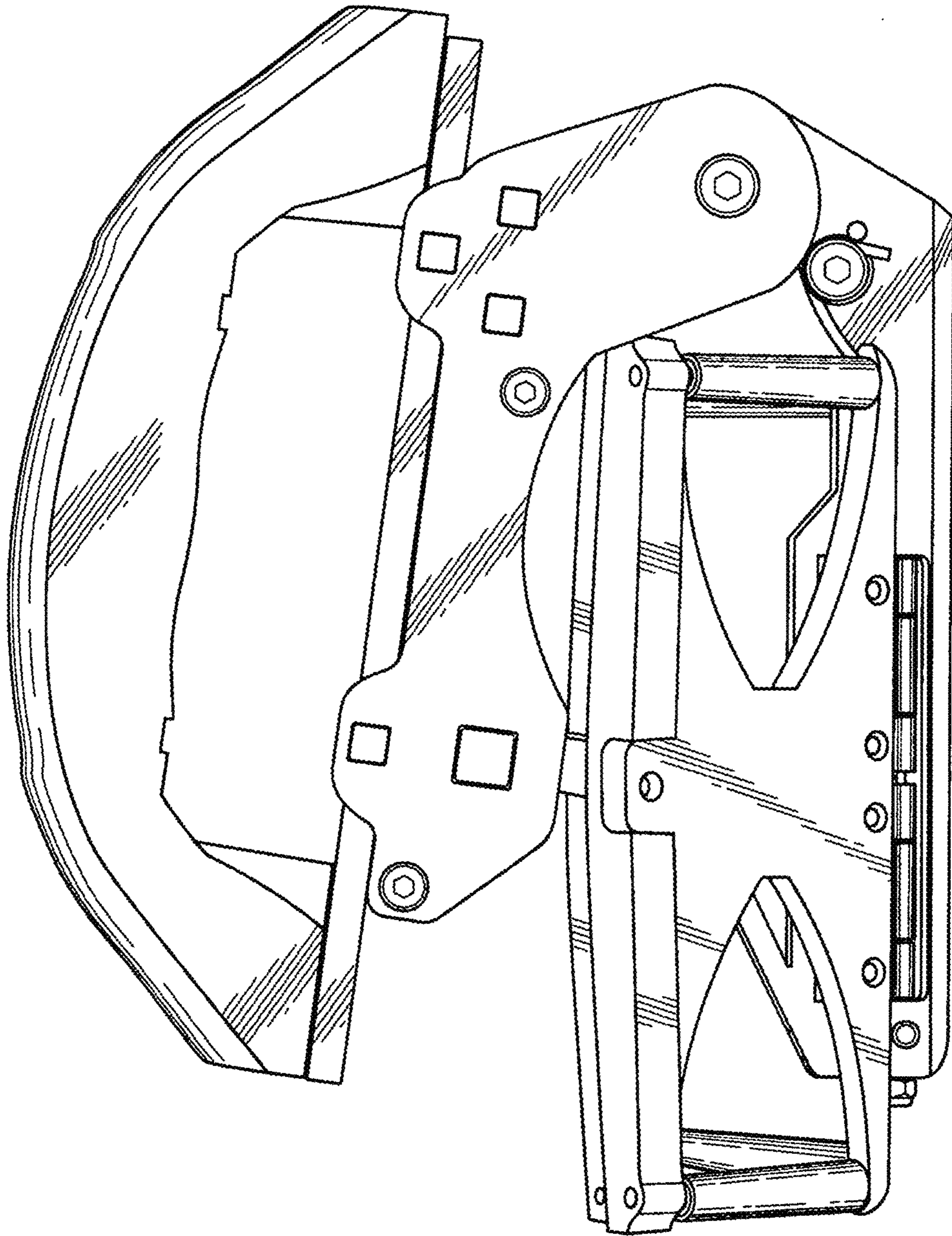


Fig. 4

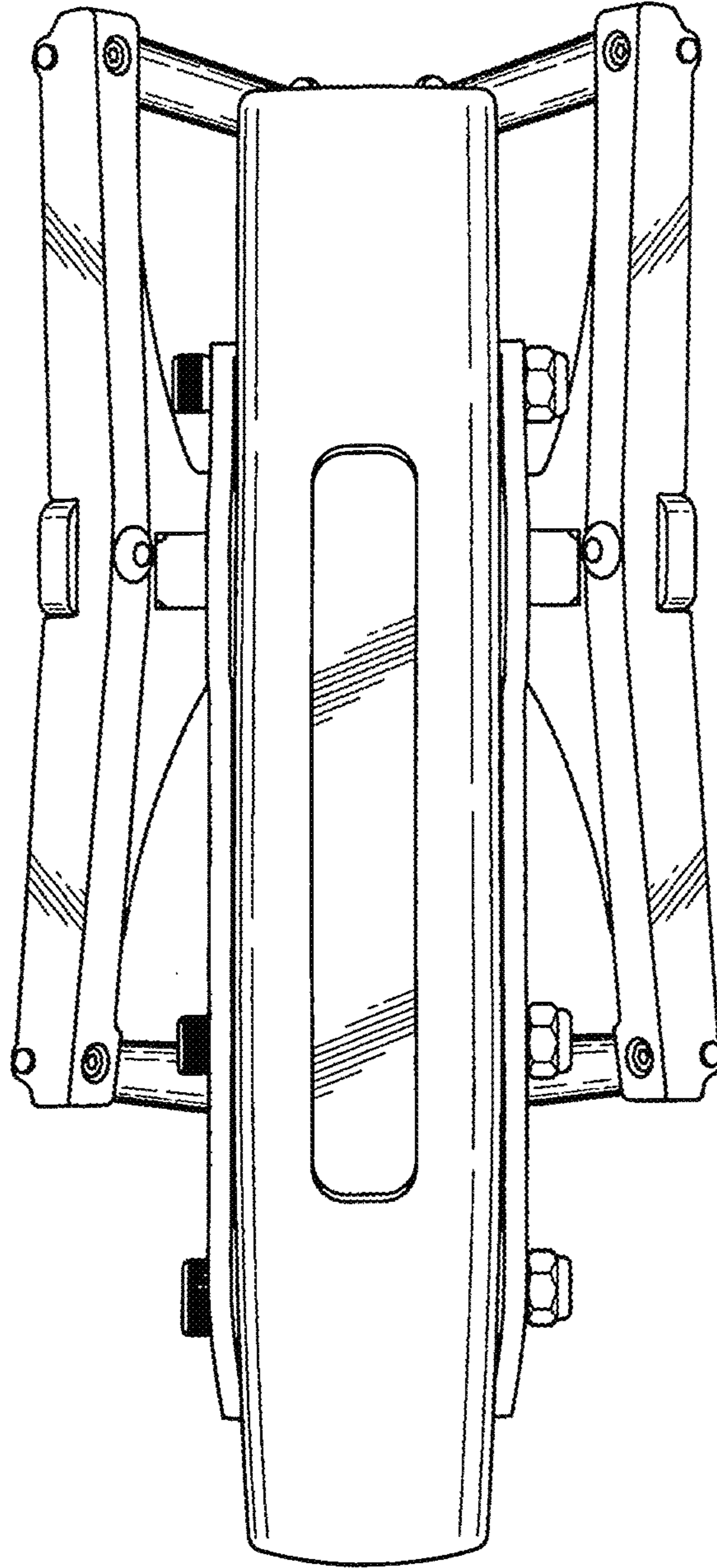


Fig. 5

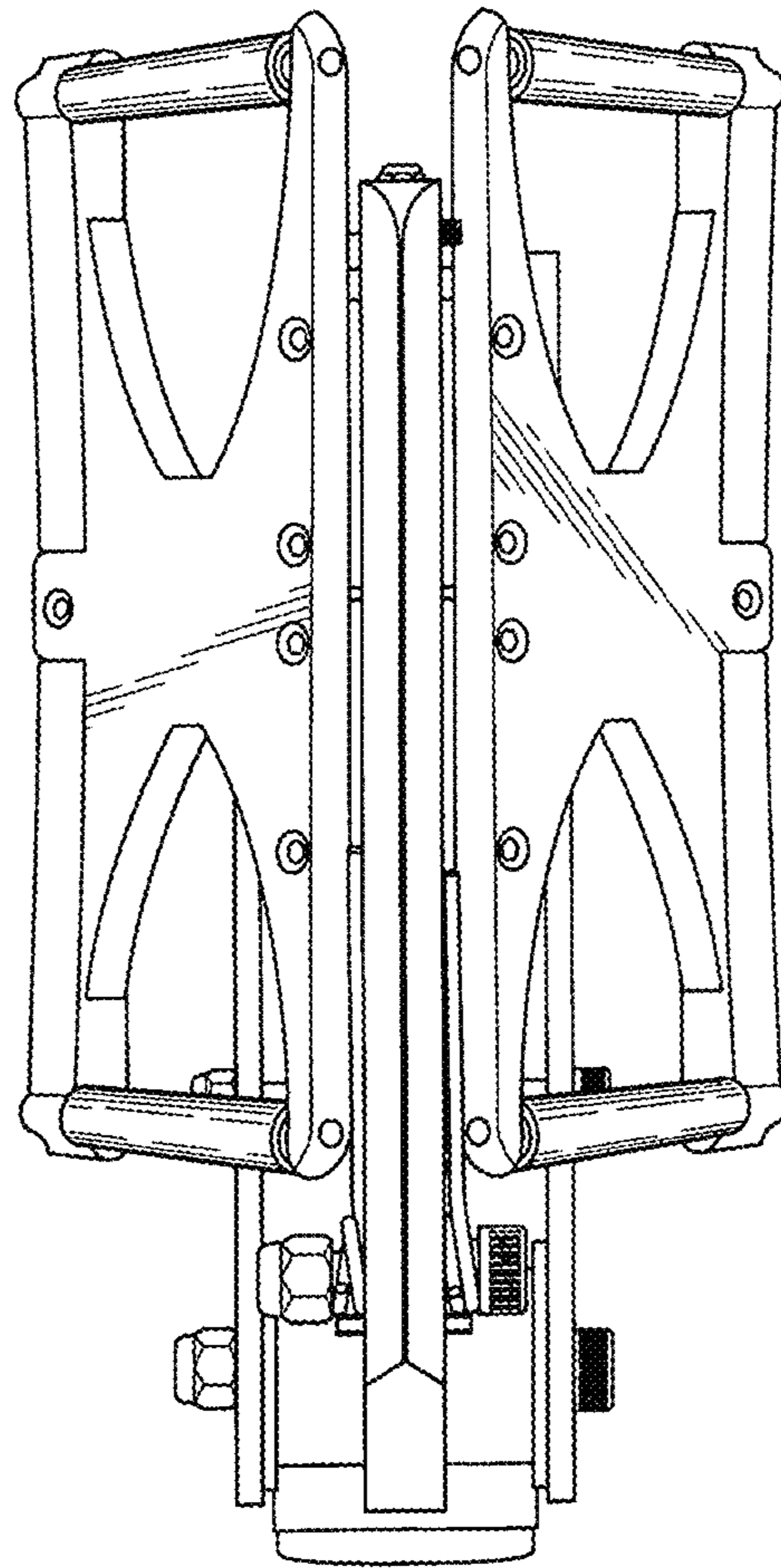


Fig. 6