



US00D802641S

(12) **United States Design Patent**
Goos

(10) **Patent No.:** **US D802,641 S**

(45) **Date of Patent:** **** Nov. 14, 2017**

(54) **TRANSMISSION**

D753,744 S * 4/2016 Takahashi D15/149
D781,943 S * 3/2017 Ries D15/148

(71) Applicant: **SEW-EURODRIVE GmbH & Co. KG**, Bruchsal (DE)

* cited by examiner

(72) Inventor: **Jürgen Goos**, Speyer (DE)

Primary Examiner — Patricia Palasik

(73) Assignee: **SEW-EURODRIVE GMBH & CO KG**, Bruchsal (DE)

(74) *Attorney, Agent, or Firm* — Finnegan, Henderson, Farabow, Garrett & Dunner, LLP

(**) Term: **15 Years**

(57) **CLAIM**

The ornamental design for a transmission, as shown and described.

(21) Appl. No.: **29/548,990**

DESCRIPTION

(22) Filed: **Dec. 18, 2015**

(30) **Foreign Application Priority Data**

Jun. 18, 2015 (DE) 40 2015 001 032

(51) **LOC (10) Cl.** **15-09**

(52) **U.S. Cl.**
USPC **D15/149**

(58) **Field of Classification Search**
USPC D12/122–127; D15/148, 149
CPC B62M 1/105; F16D 11/14; F16H 3/091;
F16H 33/06; F16H 63/30; Y10T
74/19647

See application file for complete search history.

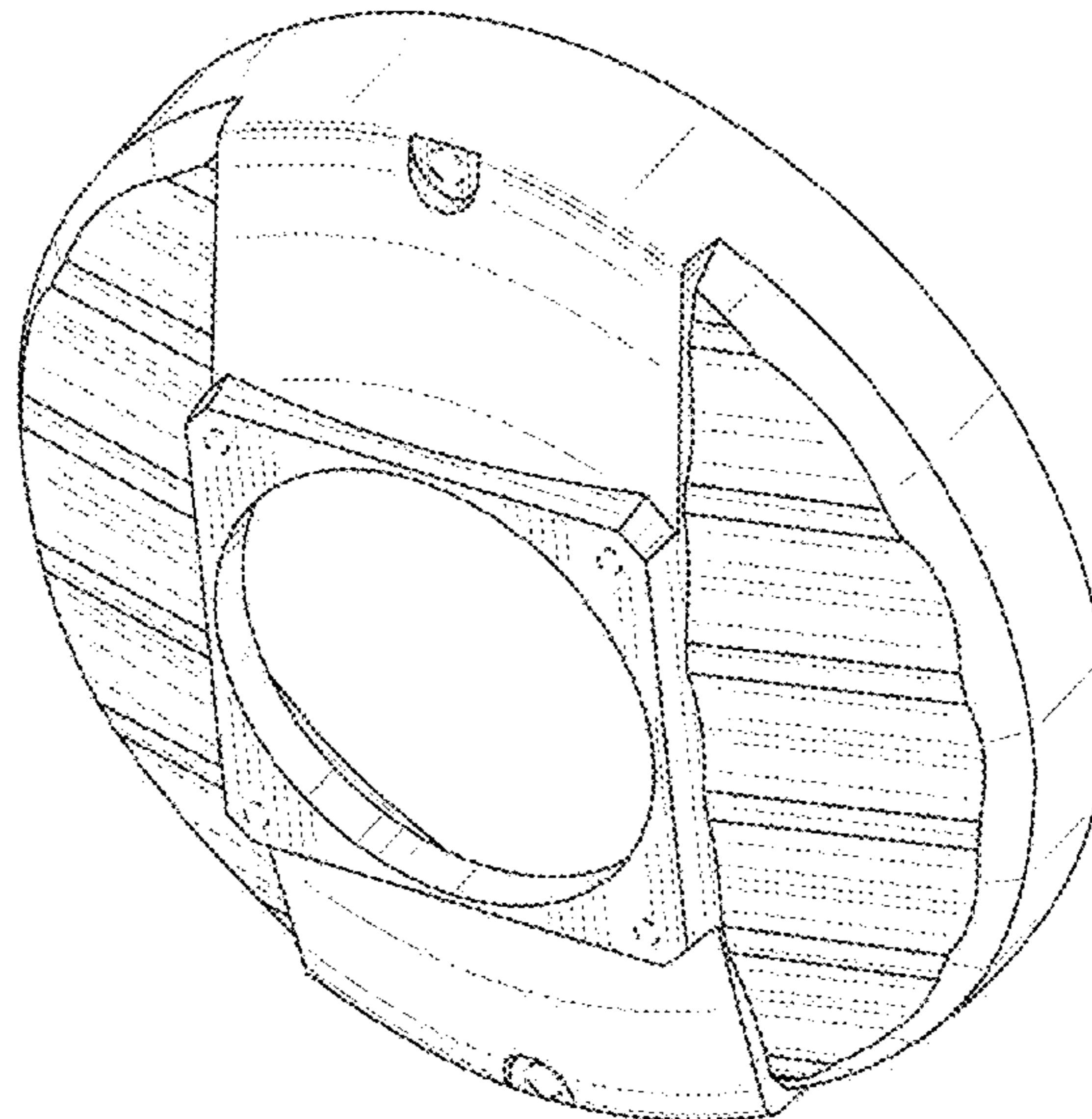
(56) **References Cited**

U.S. PATENT DOCUMENTS

D529,527 S * 10/2006 Kinoshita D15/148
D533,204 S * 12/2006 Kinoshita D15/149
D604,347 S * 11/2009 Wittenstein D15/149
D682,902 S * 5/2013 Tanaka D15/149
8,950,565 B2 * 2/2015 Adams F16D 41/105
192/12 B
D740,867 S * 10/2015 Barta D15/148
D753,743 S * 4/2016 Takahashi D15/149

FIG. 1 is a front perspective view of a first embodiment of a transmission, showing my new design;
FIG. 2 is a top view thereof;
FIG. 3 is a bottom view thereof;
FIG. 4 is a right side view thereof;
FIG. 5 is a left side view thereof;
FIG. 6 is a front elevation view thereof;
FIG. 7 is a rear elevation view thereof;
FIG. 8 is a front perspective view of a second embodiment of a transmission, showing my new design;
FIG. 9 is a top view thereof;
FIG. 10 is a bottom view thereof;
FIG. 11 is a right side view thereof;
FIG. 12 is a left side view thereof;
FIG. 13 is a front elevation view thereof;
FIG. 14 is a rear elevation view thereof;
FIG. 15 is a front perspective view of a third embodiment of a transmission, showing my new design;
FIG. 16 is a top view thereof;
FIG. 17 is a bottom view thereof;
FIG. 18 is a right side view thereof;
FIG. 19 is a left side view thereof;
FIG. 20 is a front elevation view thereof; and,
FIG. 21 is a rear elevation view thereof.
The broken lines of even length shown in the drawings depict unclaimed environmental subject matter.

1 Claim, 21 Drawing Sheets



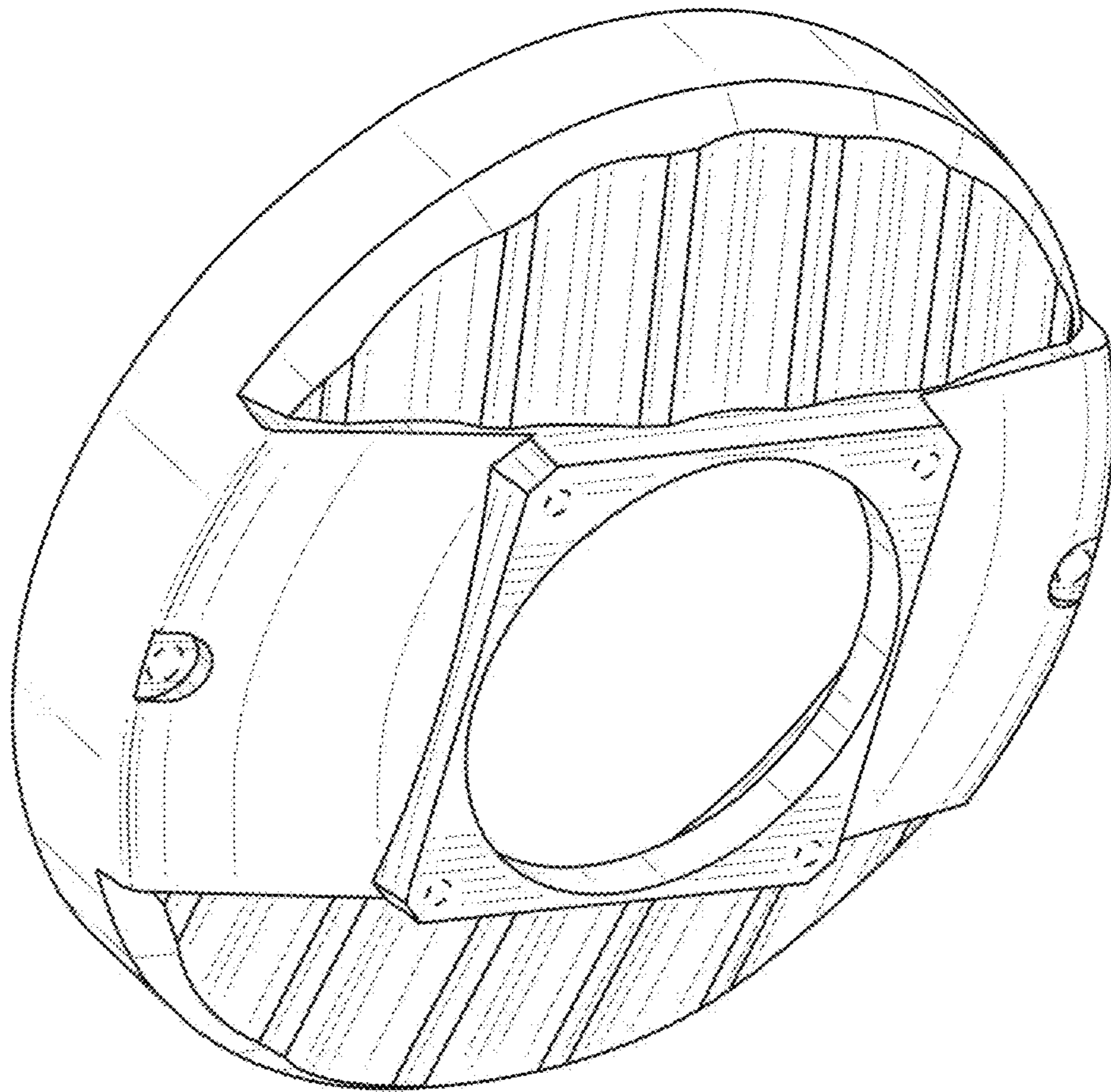


FIG. 1

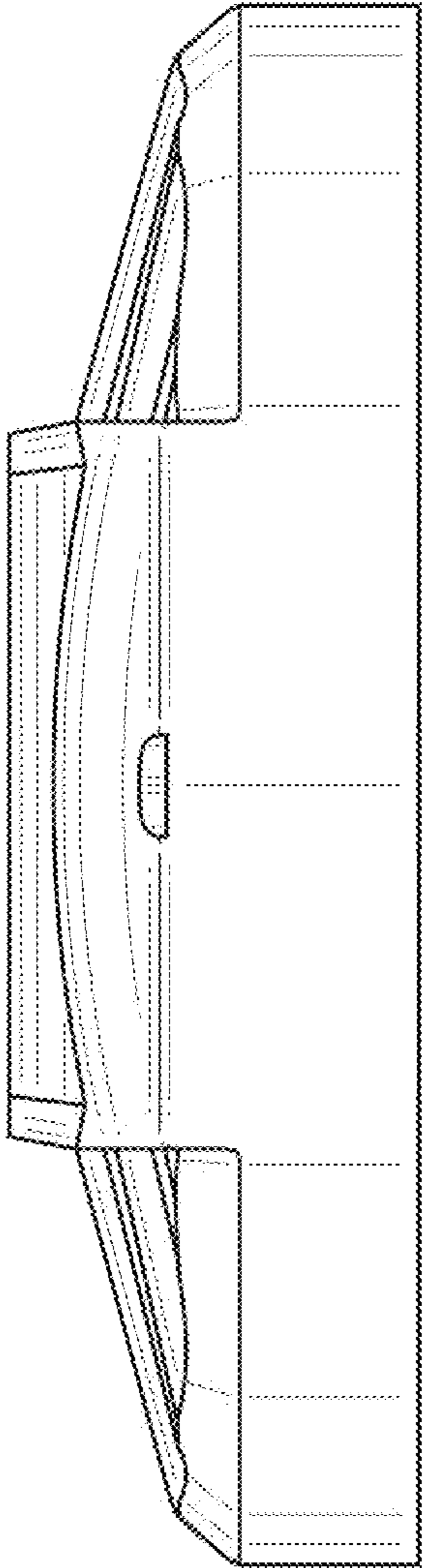


FIG. 2

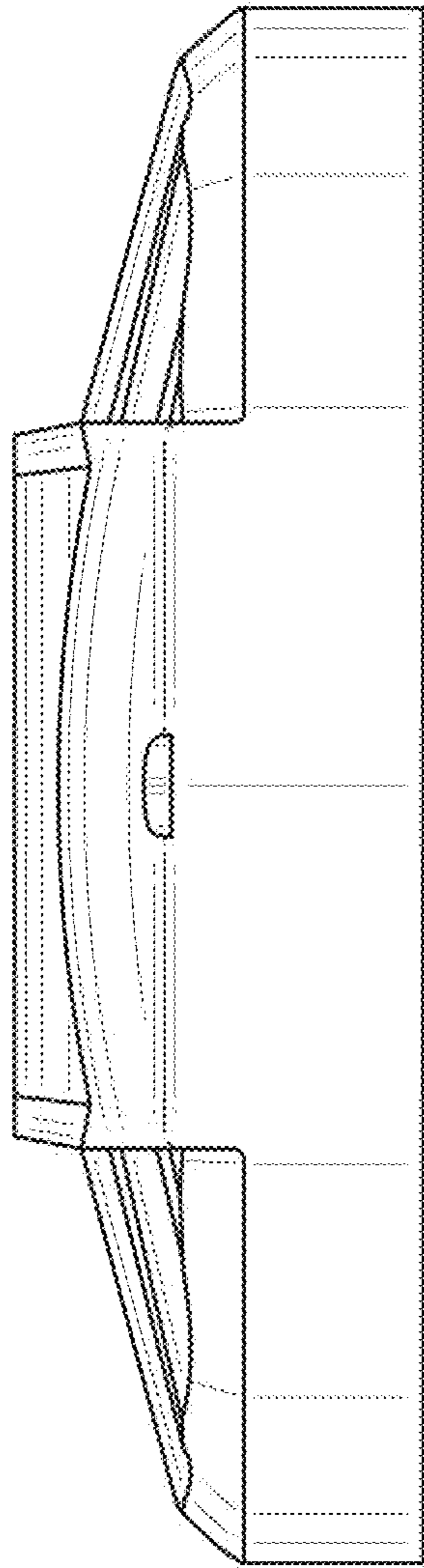


FIG. 3

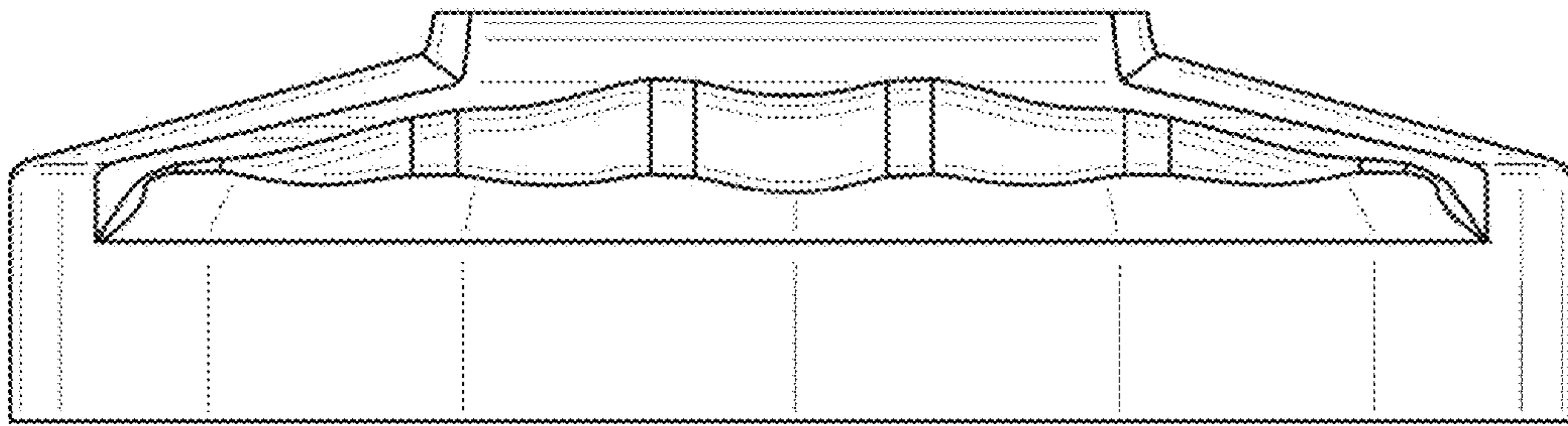


FIG. 4

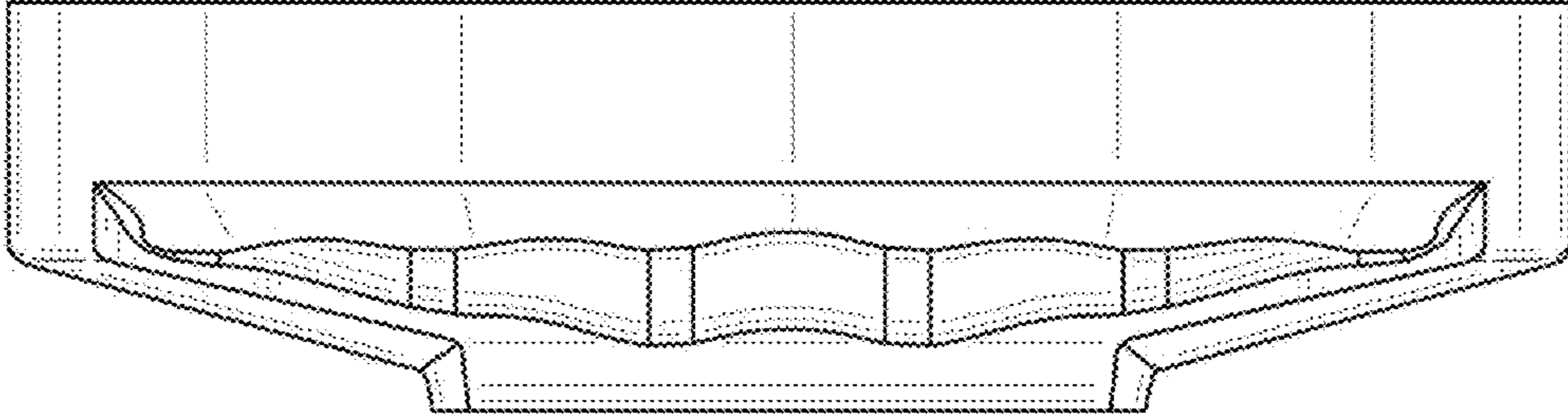


FIG. 5

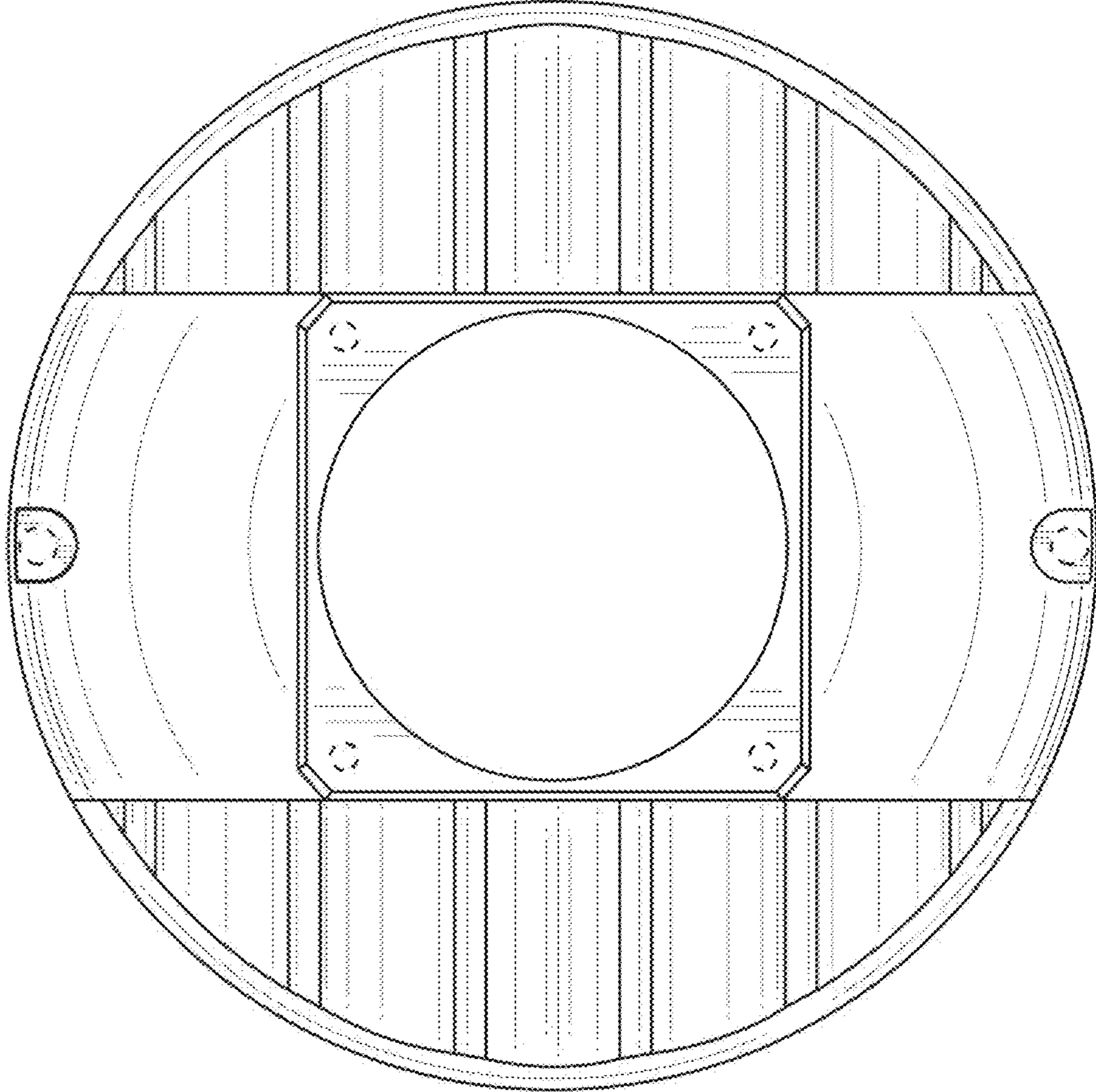


FIG. 6

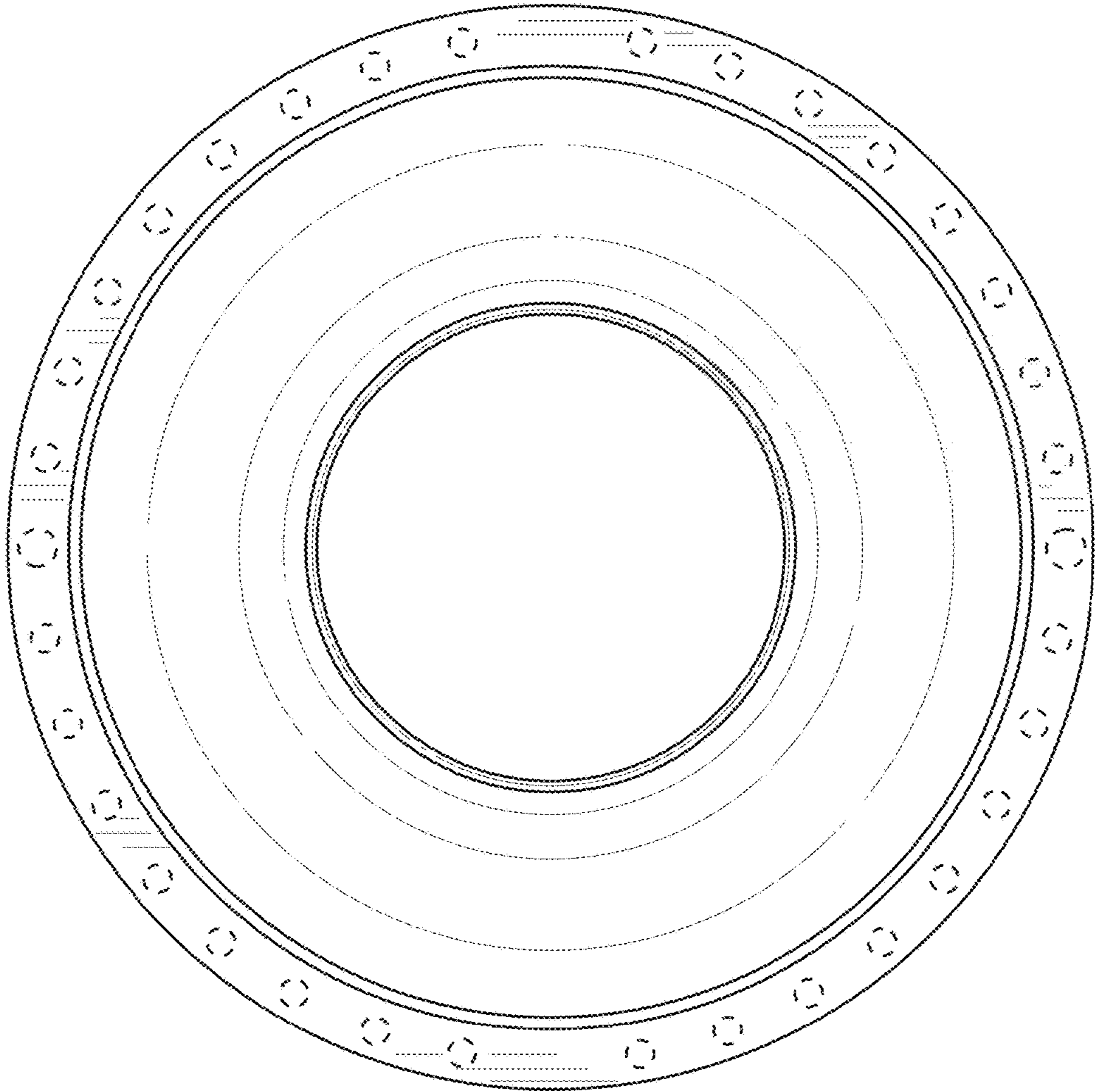


FIG. 7

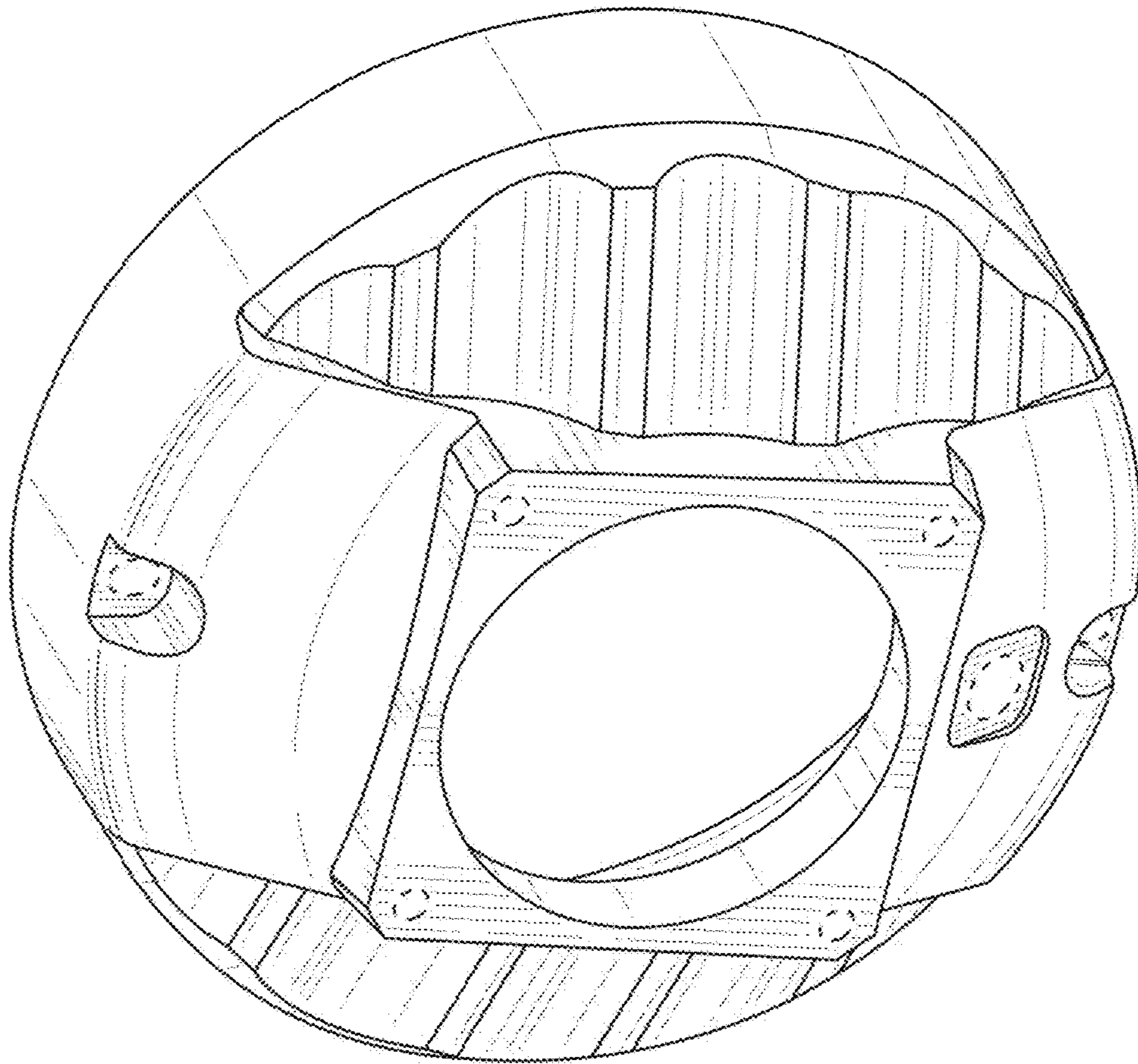


FIG. 8

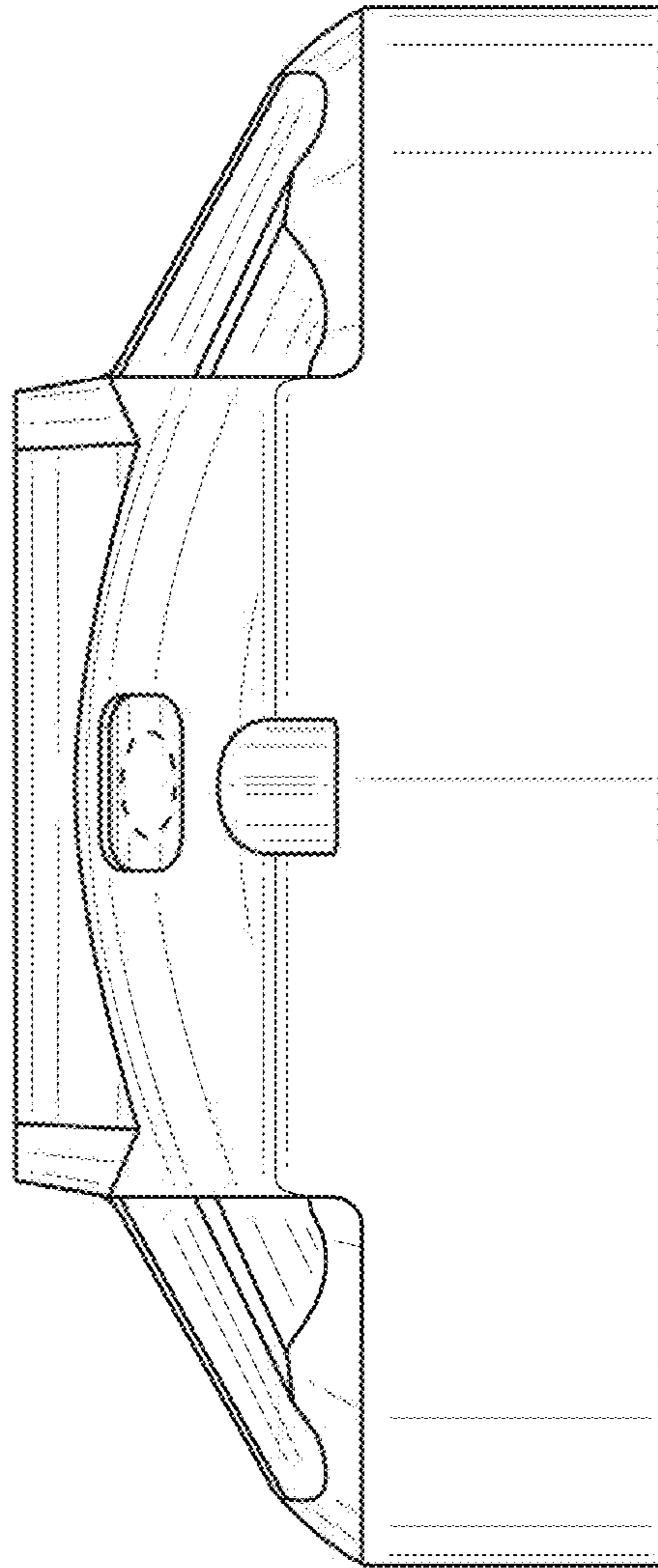


FIG. 9

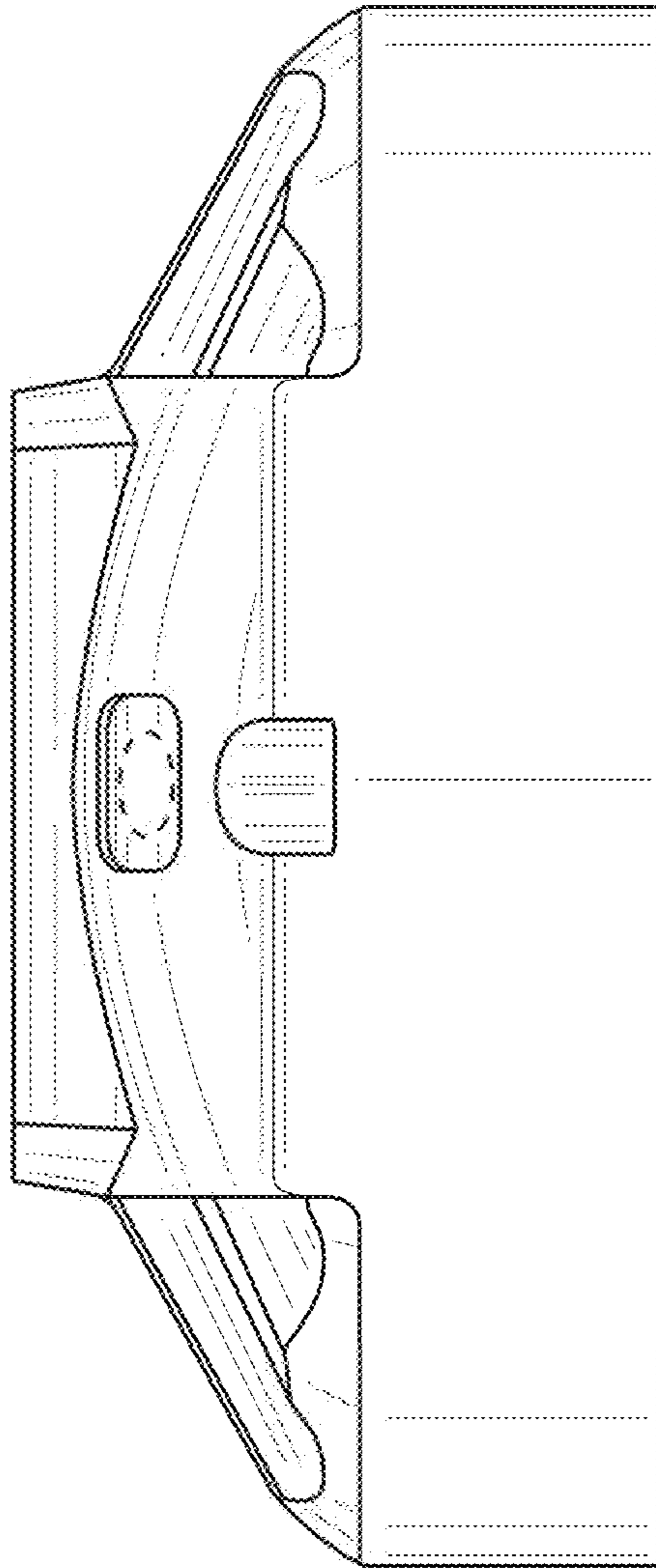


FIG. 10

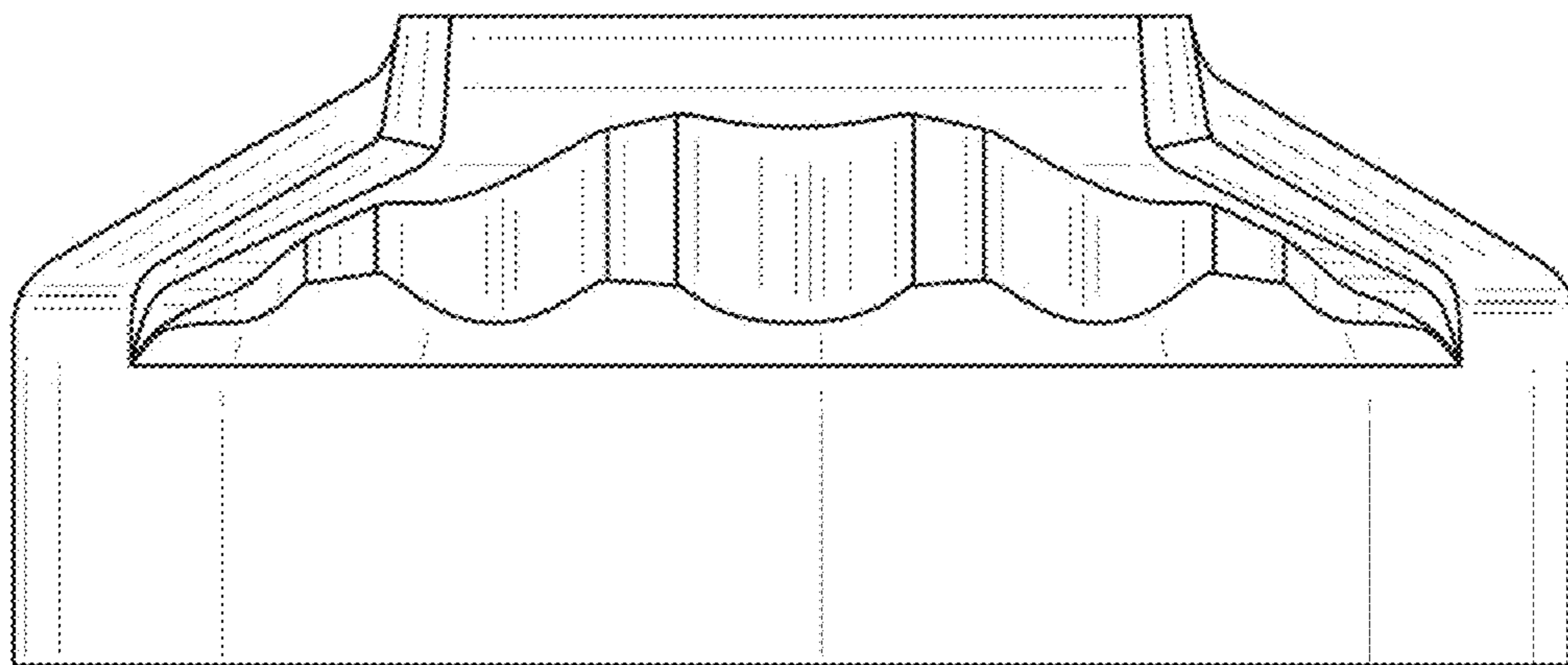


FIG. 11

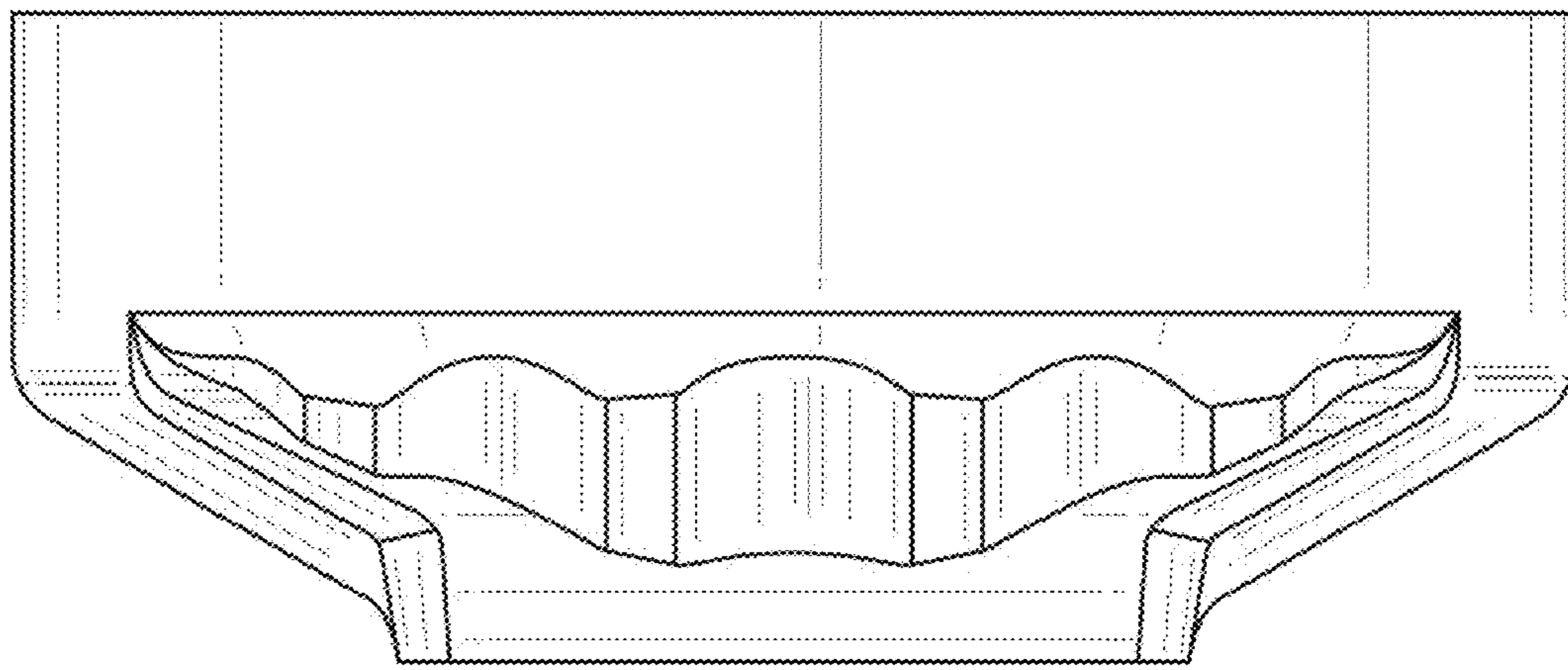


FIG. 12

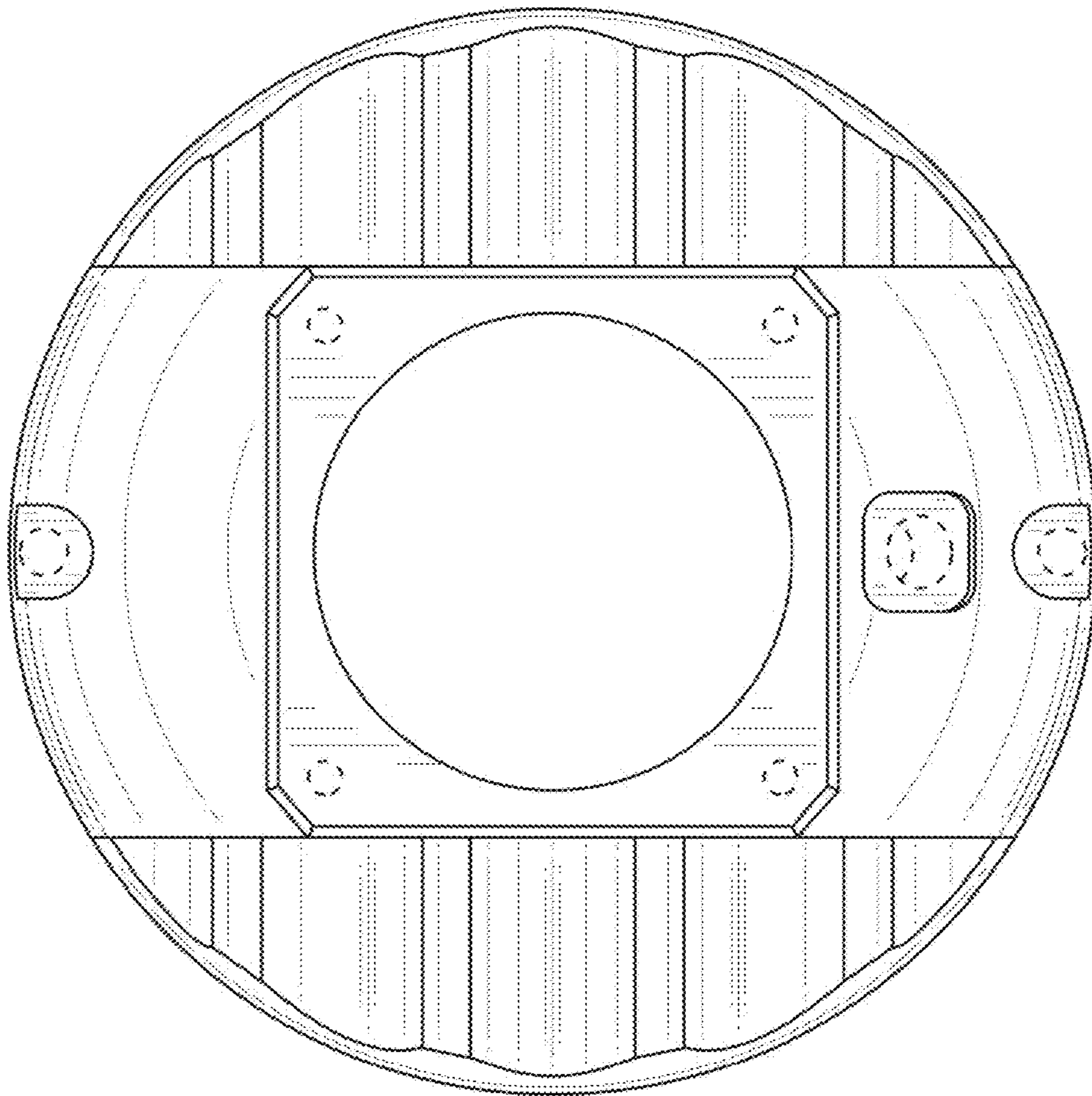


FIG. 13

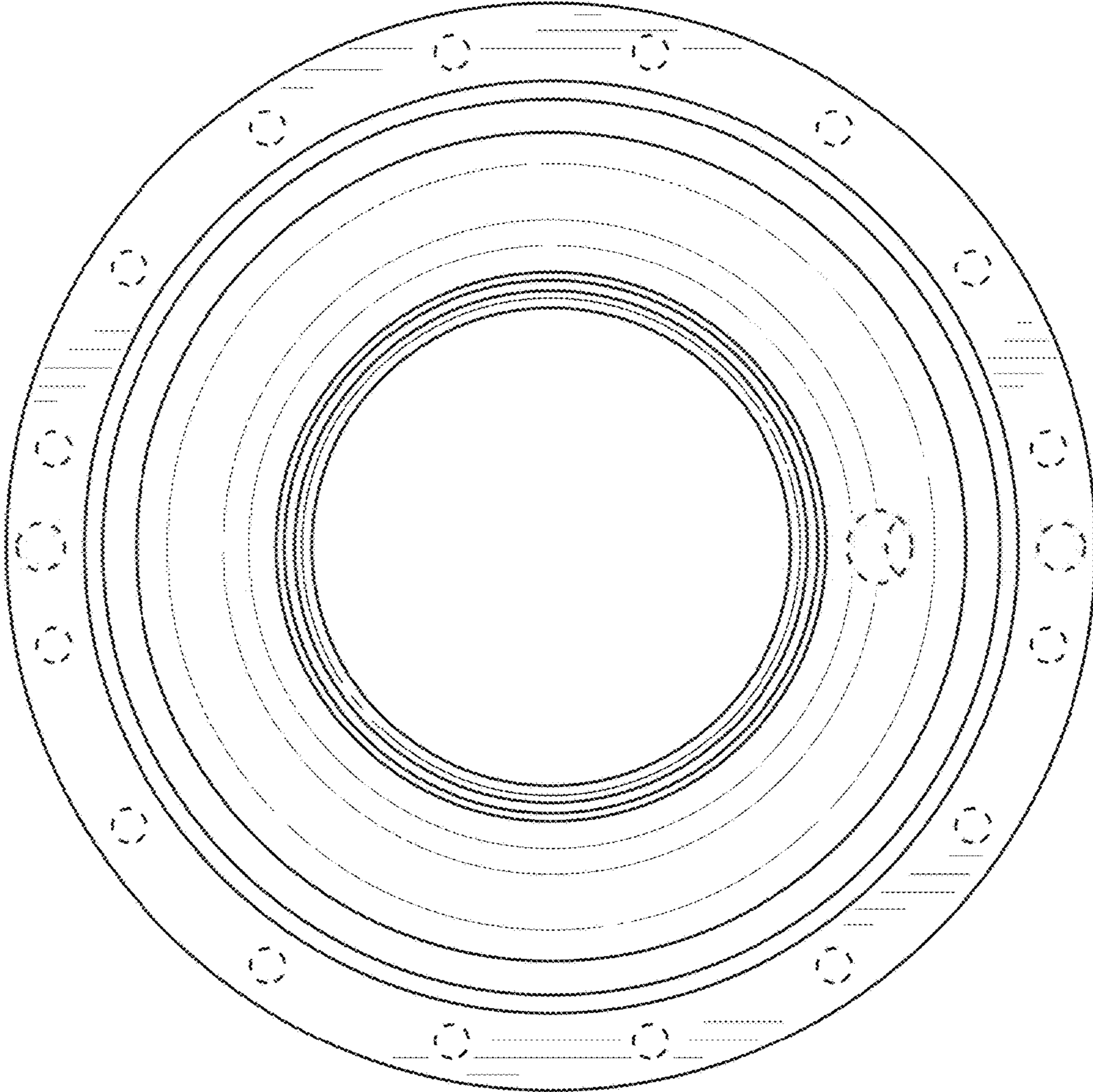


FIG. 14

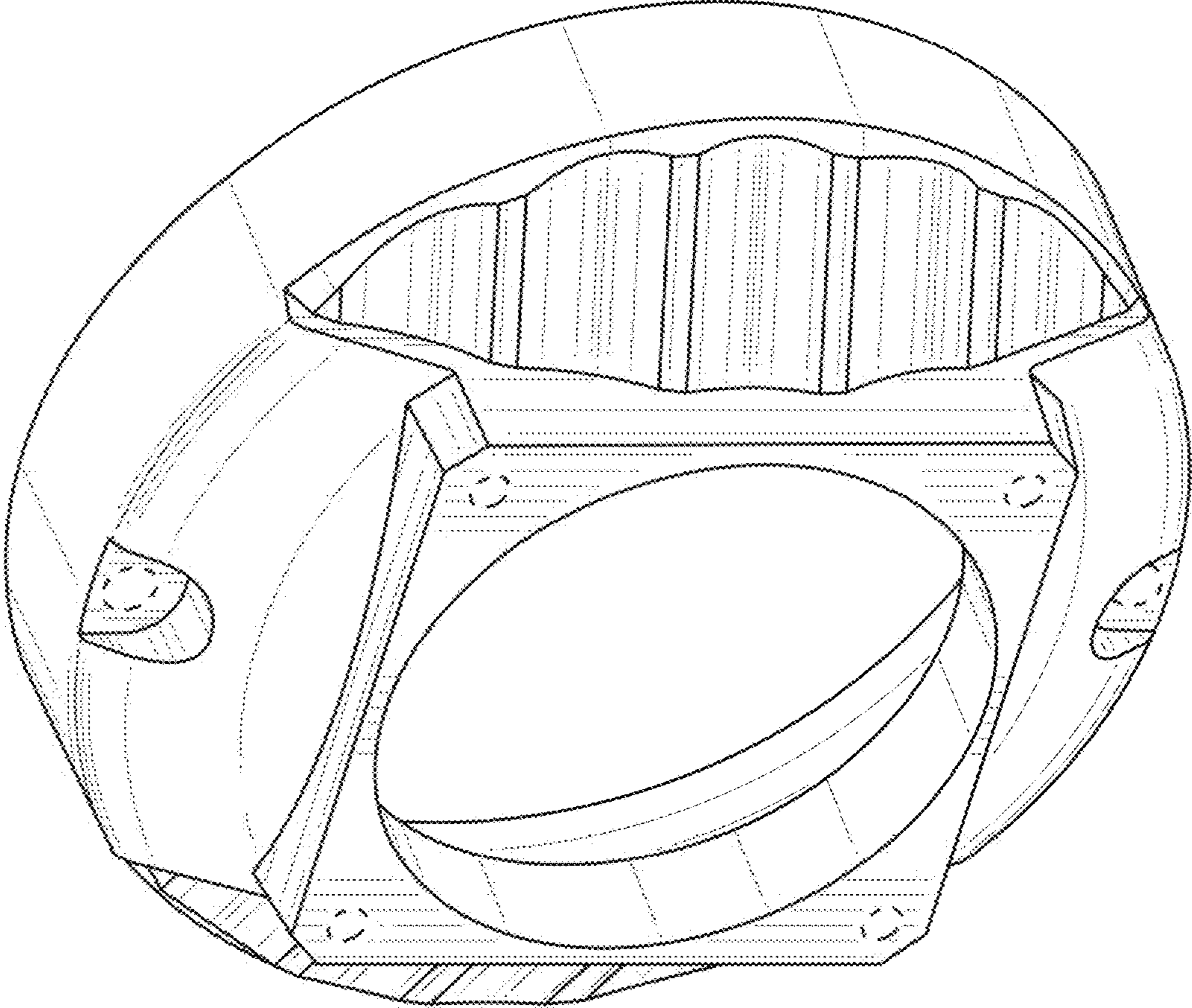


FIG. 15

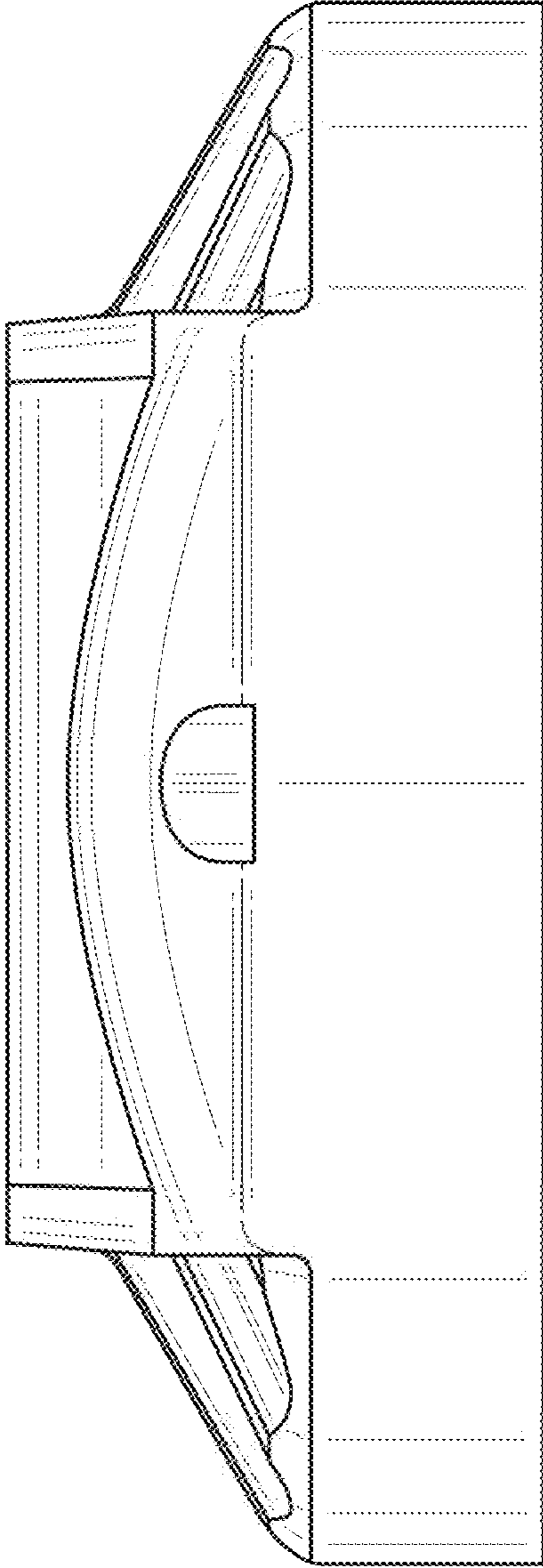


FIG. 16

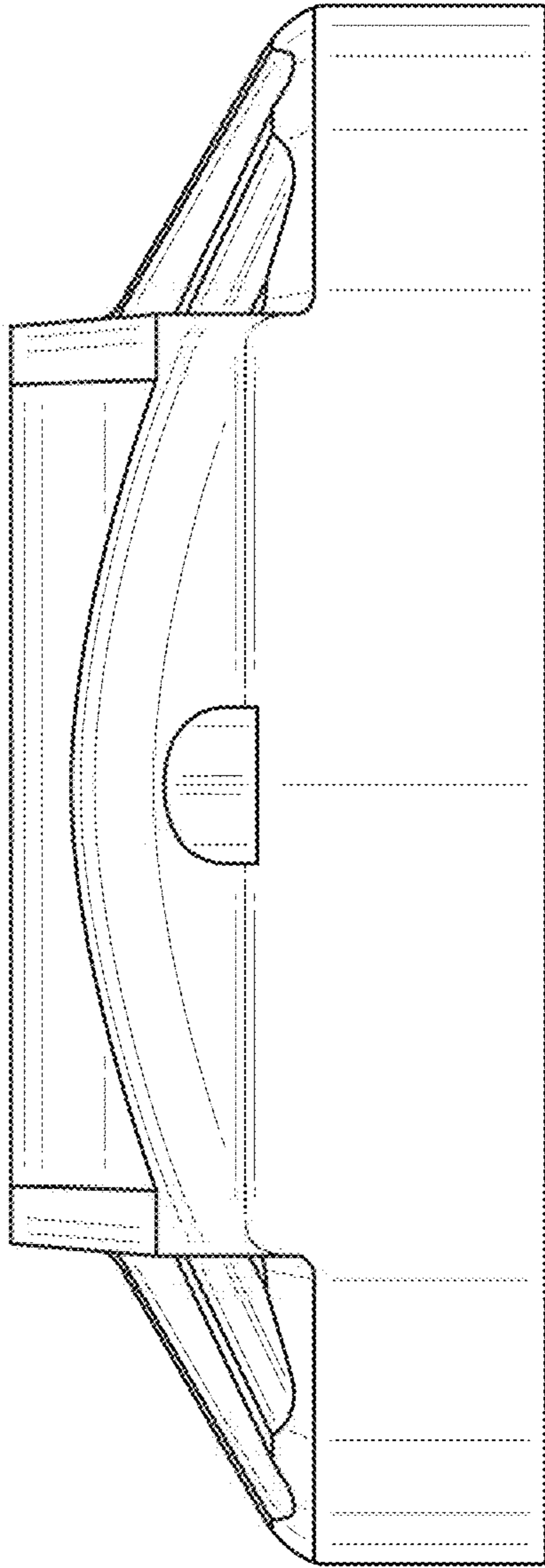


FIG. 17

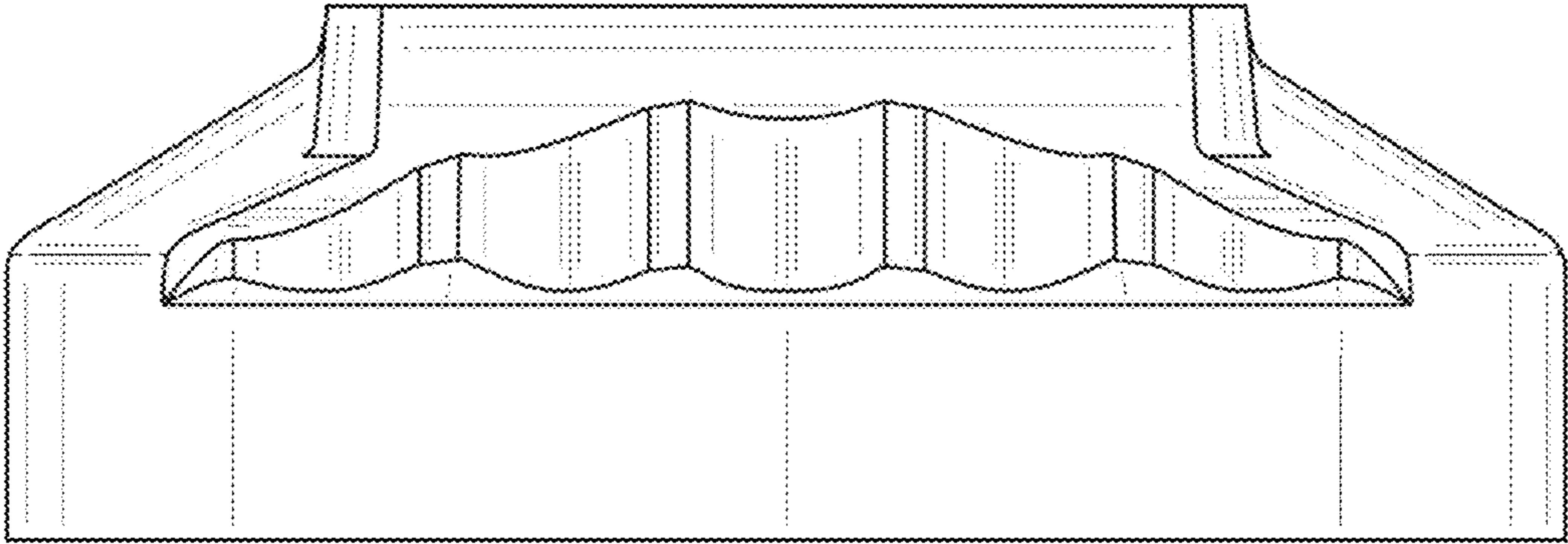


FIG. 18

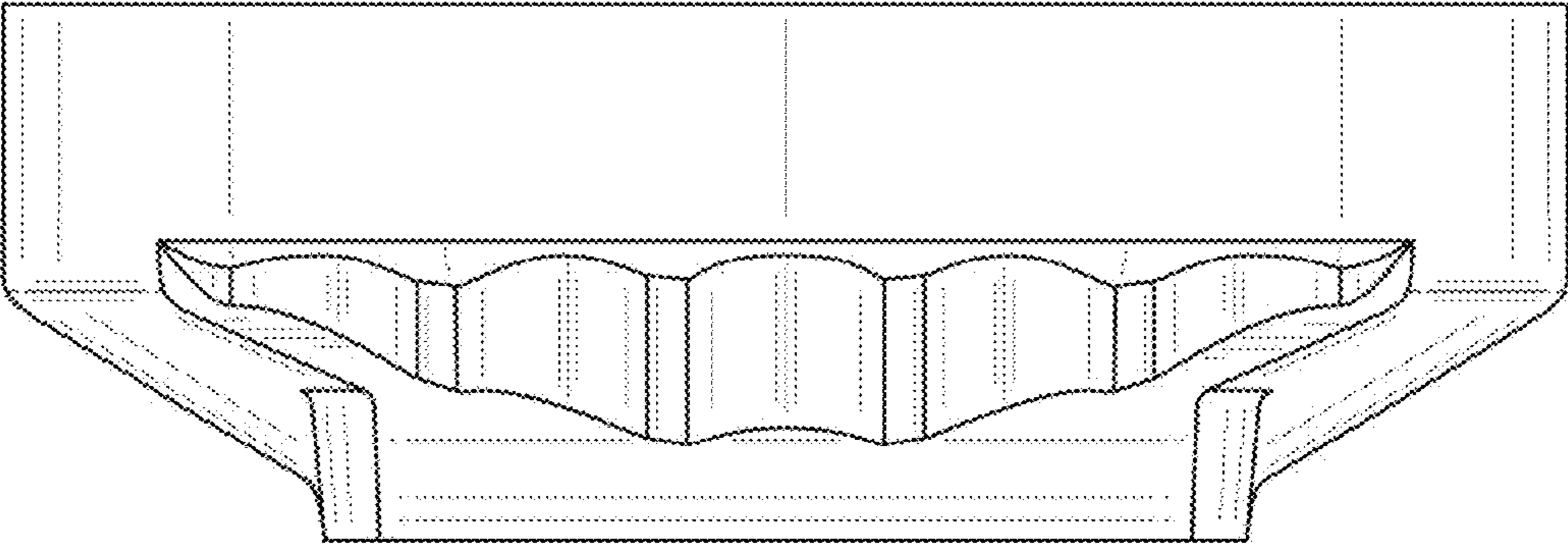


FIG. 19

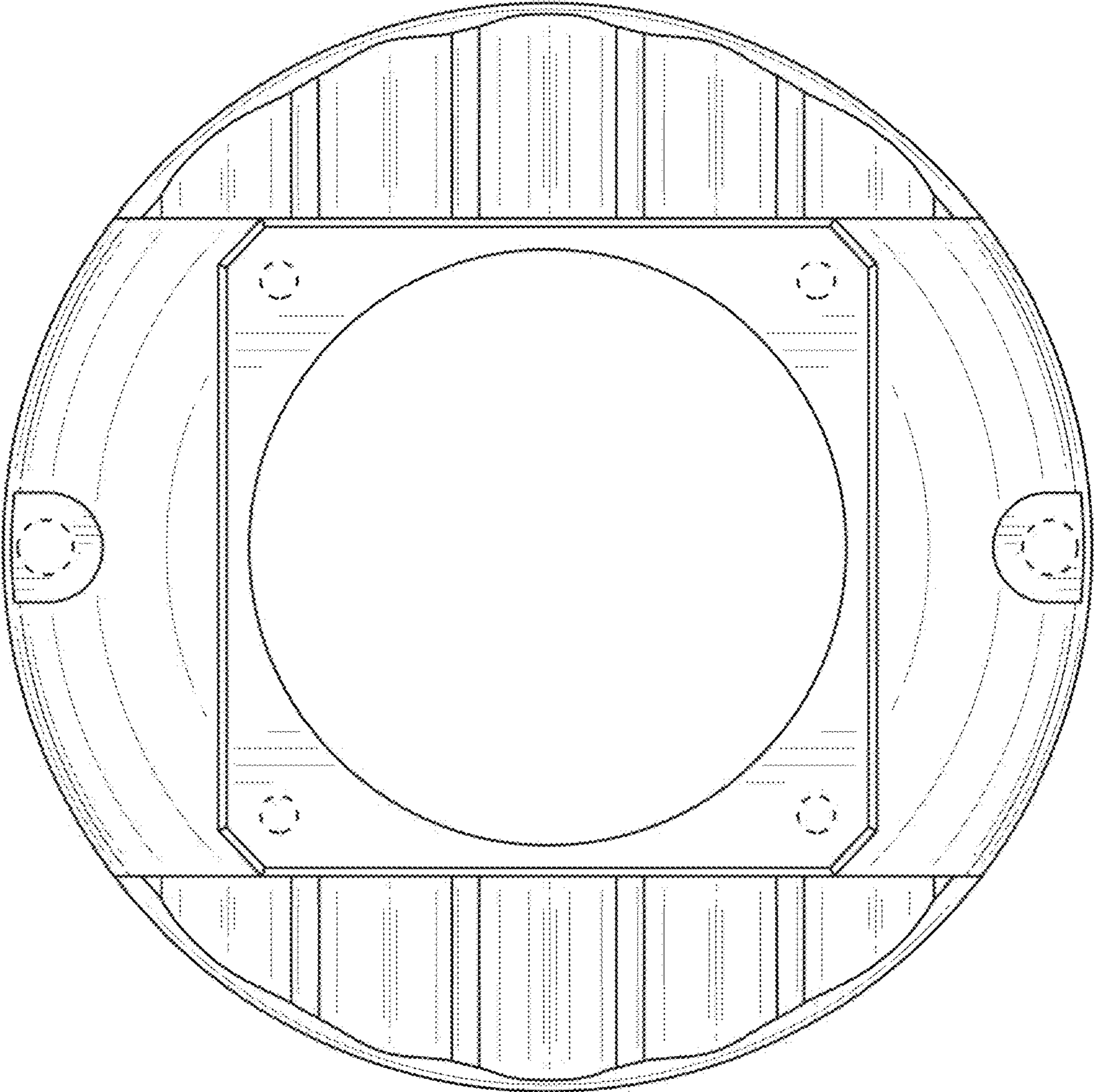


FIG. 20

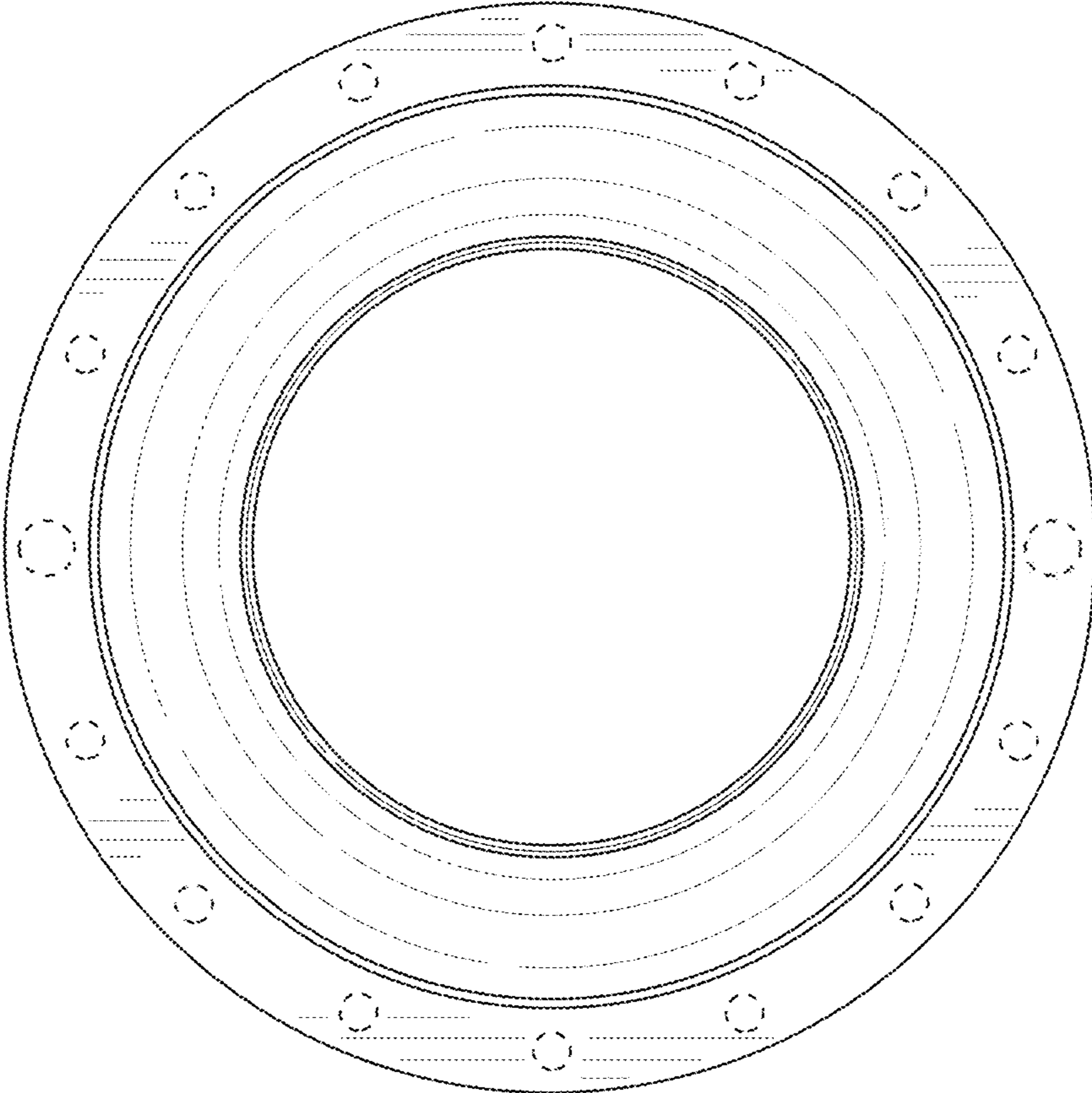


FIG. 21