



US00D802640S

(12) **United States Design Patent**
Hannet

(10) **Patent No.:** **US D802,640 S**

(45) **Date of Patent:** **** Nov. 14, 2017**

(54) **TRANSMISSION**

(71) Applicant: **SEW-EURODRIVE GmbH & Co. KG**, Bruchsal (DE)

(72) Inventor: **Stefan Hannet**, Brühl (DE)

(73) Assignee: **SEW-EURODRIVE GMBH & CO KG**, Bruchsal (DE)

(**) Term: **15 Years**

(21) Appl. No.: **29/547,948**

(22) Filed: **Dec. 9, 2015**

(30) **Foreign Application Priority Data**

Jun. 10, 2015 (DE) 40 2015 201 931

(51) **LOC (10) Cl.** **15-09**

(52) **U.S. Cl.**
USPC **D15/149**

(58) **Field of Classification Search**

USPC D12/80; D15/148, 149; 74/640; 92/71;
192/38, 223.2; 475/331

CPC F16D 3/72; F16H 37/042; F16H 47/04;
F16H 57/0025; F16H 2037/0886; Y10T
74/19647

See application file for complete search history.

(56) **References Cited**

U.S. PATENT DOCUMENTS

D529,527 S * 10/2006 Kinoshita D15/148
D533,204 S * 12/2006 Kinoshita D15/149

D604,347 S * 11/2009 Wittenstein D15/149
D682,902 S * 5/2013 Tanaka D15/149
8,950,565 B2 * 2/2015 Adams F16D 41/105
192/12 B

D740,867 S * 10/2015 Barta D15/148
D753,743 S * 4/2016 Takahashi D15/149
D753,744 S * 4/2016 Takahashi D15/149
D781,943 S * 3/2017 Ries D15/148

* cited by examiner

Primary Examiner — Patricia Palasik

(74) *Attorney, Agent, or Firm* — Finnegan, Henderson, Farabow, Garrett & Dunner, LLP

(57) **CLAIM**

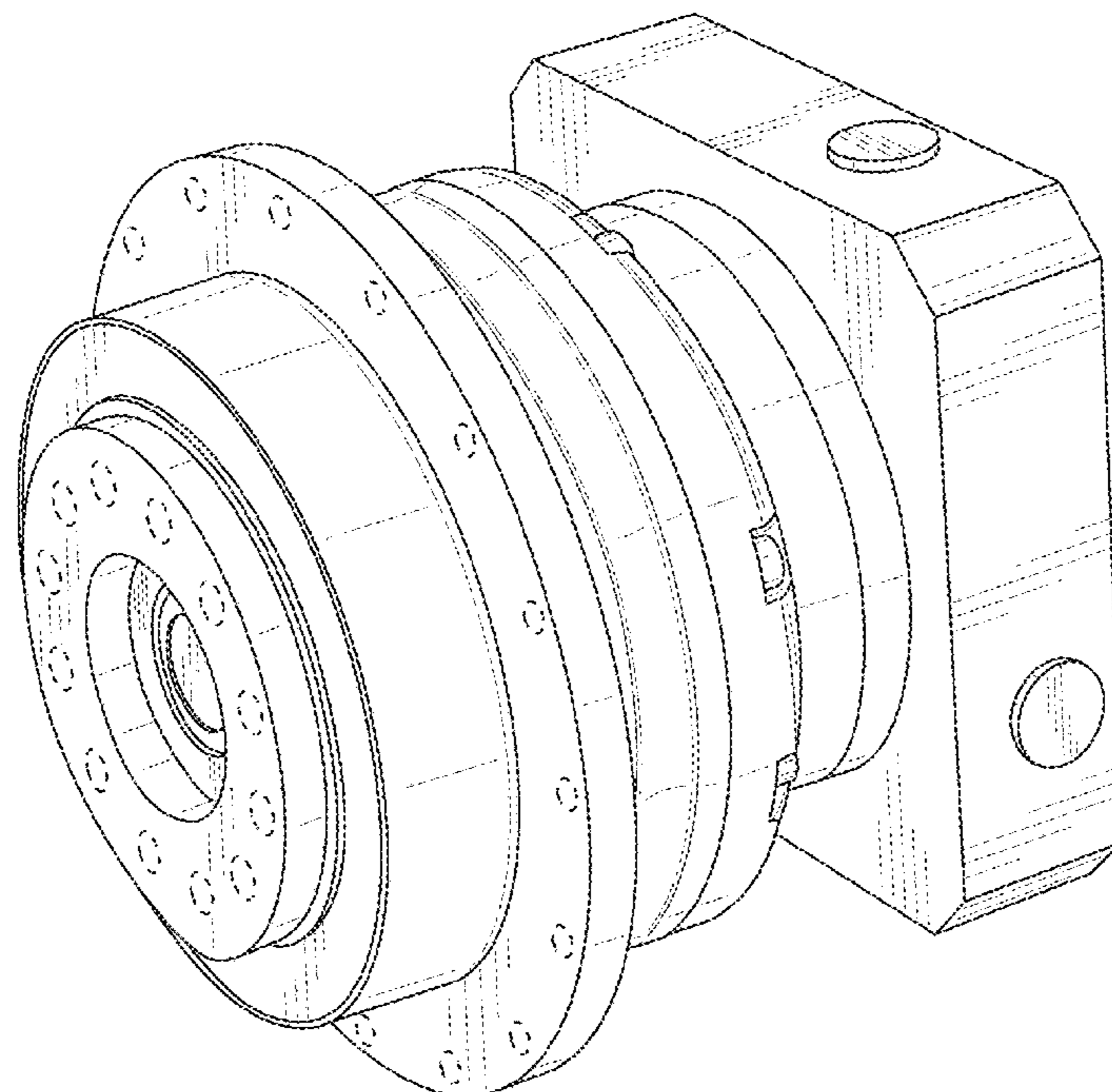
The ornamental design for a transmission, as shown and described.

DESCRIPTION

FIG. 1 is a front perspective view of a transmission, showing my new design; and,
FIG. 2 is a left side view thereof.

My design shown in FIGS. 1 and 2 is radially symmetric such that the perspective views not shown are identical to the front perspective view shown in FIG. 1 and the side views not shown are identical to the left side view shown in FIG. 2. The bottom view forms no part of my claimed design. The broken lines of even length shown in the drawings depict unclaimed environmental subject matter of the transmission.

1 Claim, 2 Drawing Sheets



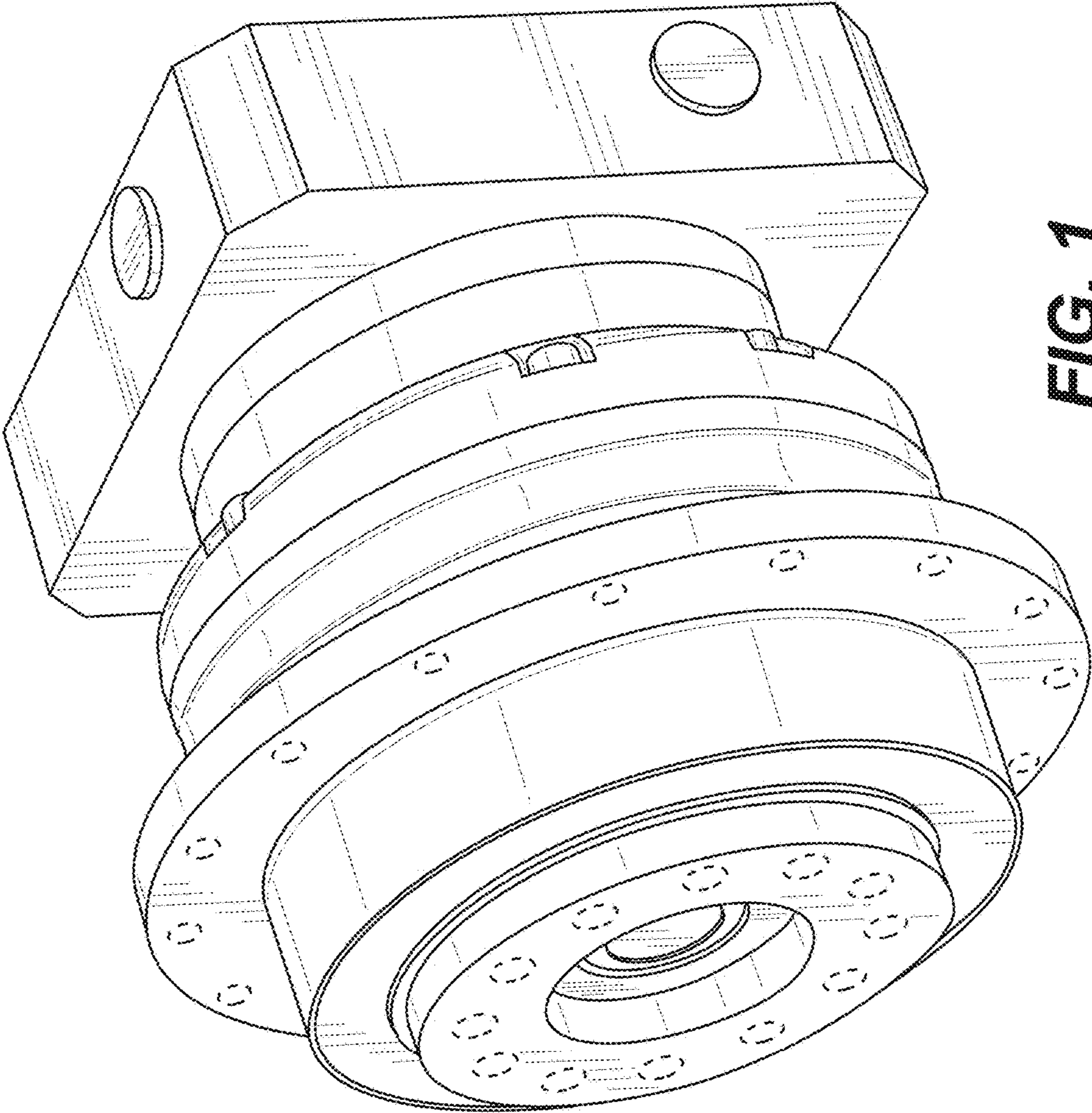


FIG. 1

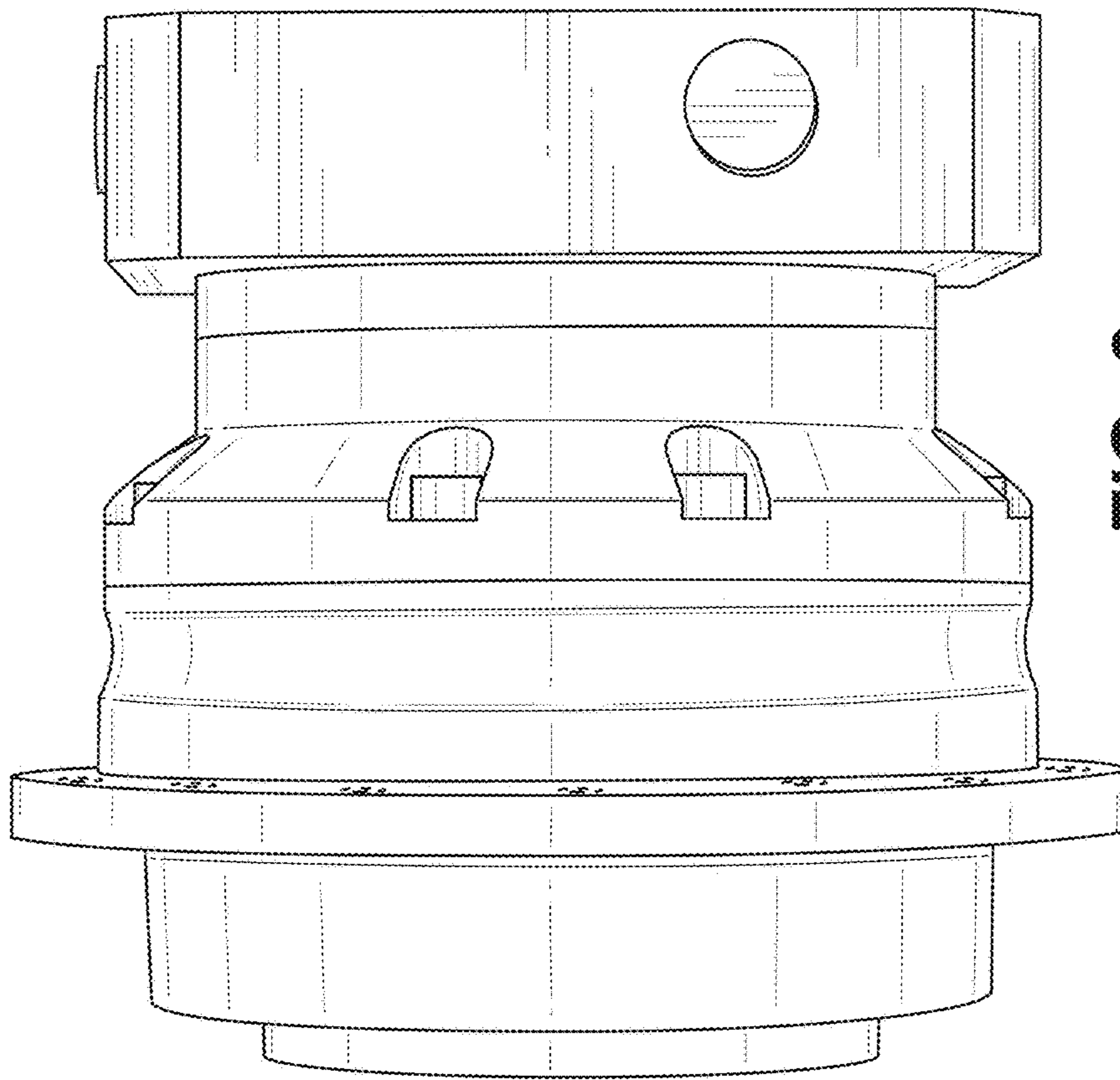


FIG. 2