

US00D802637S

(12) **United States Design Patent**
Korte et al.

(10) **Patent No.:** **US D802,637 S**

(45) **Date of Patent:** **** Nov. 14, 2017**

(54) **RING BIT**

(71) Applicants: **Pasi Korte**, Lempäälä (FI); **Sami Eskelin**, Talma (FI); **Mikko Mattila**, Turku (FI); **Antti Leino**, Ylöjärvi (FI)

(72) Inventors: **Pasi Korte**, Lempäälä (FI); **Sami Eskelin**, Talma (FI); **Mikko Mattila**, Turku (FI); **Antti Leino**, Ylöjärvi (FI)

(73) Assignee: **ROBIT OYJ**, Lempäälä (FI)

(**) Term: **15 Years**

(21) Appl. No.: **29/577,113**

(22) Filed: **Sep. 9, 2016**

(51) **LOC (10) Cl.** **15-09**

(52) **U.S. Cl.**
USPC **D15/139**

(58) **Field of Classification Search**
USPC D15/11, 28, 29, 32, 124-143; D8/16-20
CPC E21B 34/14; E21B 2033/105; E21B 2034/002; E21B 21/003; E21B 23/04; E21B 29/02; E21B 33/10; E21B 33/1208; E21B 33/13; E21B 33/134; E21B 33/138; E21B 33/16; E21B 34/00; E21B 10/322; E21B 17/01; E21B 17/078; E21B 21/065; E21B 21/08; E21B 33/038; E21B 33/06; E21B 34/06; E21B 41/00; E21B 43/08; E21B 43/26; E21B 47/026; E21B 4/02; E21B 10/26; E21B 12/00; E21B 15/003; E21B 17/1014; E21B 17/021; E21B 19/004; E21B 19/006; E21B 19/06; E21B 19/10; E21B 19/22; E21B 19/24; E21B 2021/006; E21B 2034/005; E21B 2034/007; E21B 21/001

See application file for complete search history.

(56) **References Cited**

U.S. PATENT DOCUMENTS

1,713,273 A * 5/1929 Farrington B23C 5/04
407/31
5,839,519 A 11/1998 Spedale

6,035,953 A 3/2000 Rear
D481,045 S * 10/2003 Ahn D15/139
8,974,155 B2 * 3/2015 Dressler B23C 5/04
144/236
D745,584 S * 12/2015 Heilmeier D15/139
D748,701 S * 2/2016 Velozny D15/133
D753,201 S * 4/2016 Kim D15/139
D753,738 S * 4/2016 Kim D15/139
D771,165 S * 11/2016 Kim D15/139

(Continued)

FOREIGN PATENT DOCUMENTS

JP 2003166390 6/2003
KR 20150014276 2/2015
WO 98/13575 4/1998

OTHER PUBLICATIONS

Search Report, Finnish Application No. 20155502 (dated Feb. 25, 2016).

Primary Examiner — Ian Simmons

Assistant Examiner — Khawaja Anwar

(74) *Attorney, Agent, or Firm* — Thompson Hine LLP

(57) **CLAIM**

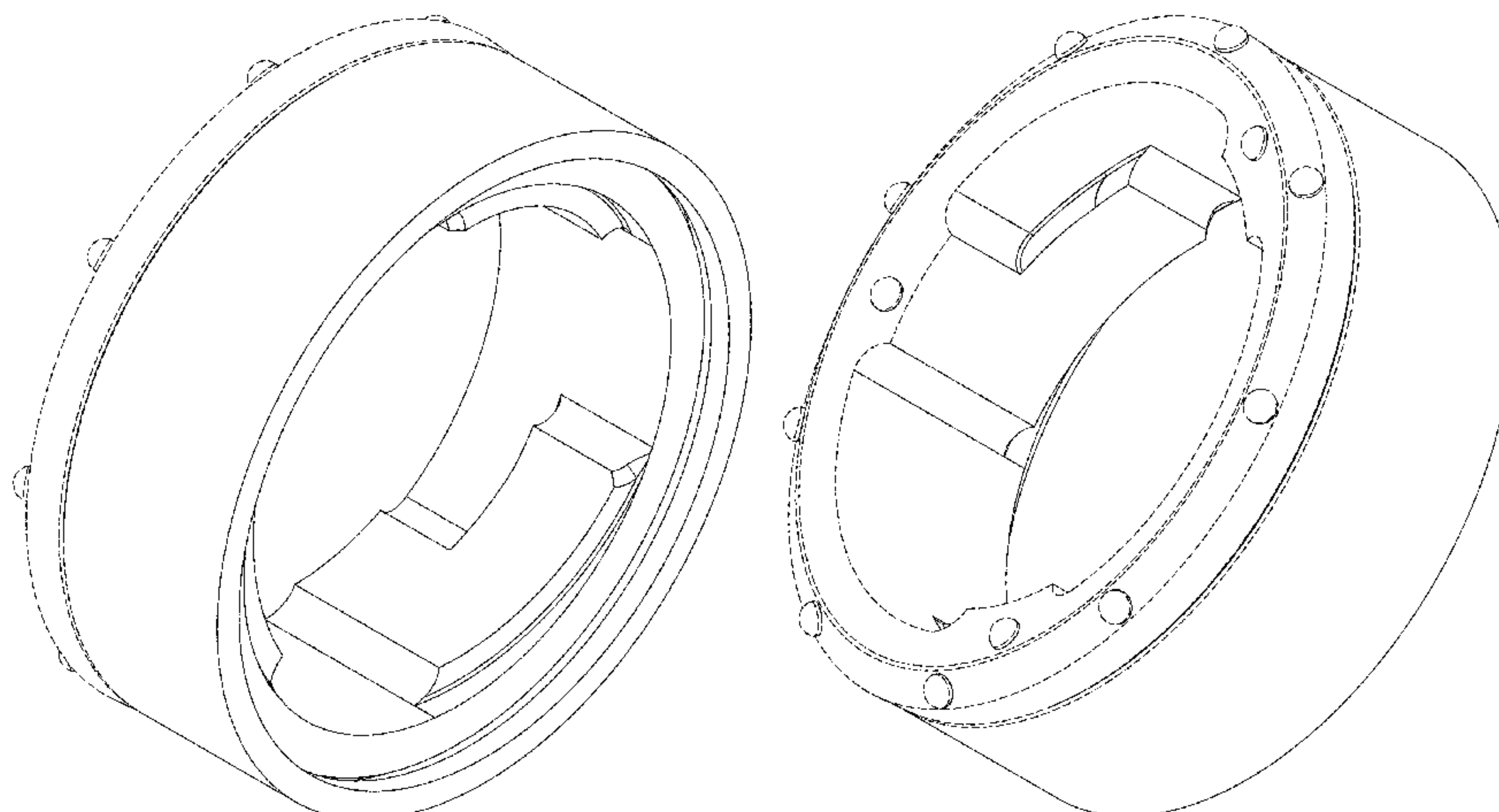
The ornamental design for a ring bit, as shown and described.

DESCRIPTION

FIG. 1 is a perspective view of the design;
FIG. 2 is another perspective view of the design;
FIG. 3 is a first end view of the design;
FIG. 4 is another perspective view of the design;
FIG. 5 is a second end view of the design; and,
FIG. 6 is a side view of the design.

The broken lines shown in the drawings illustrate the portions of the ring bit that form no part of the claimed design.

1 Claim, 6 Drawing Sheets



(56)

References Cited

U.S. PATENT DOCUMENTS

2007/0256287 A1* 11/2007 Kocherovsky B23C 5/207
29/428
2008/0175679 A1* 7/2008 Prichard B23C 5/109
407/42

* cited by examiner

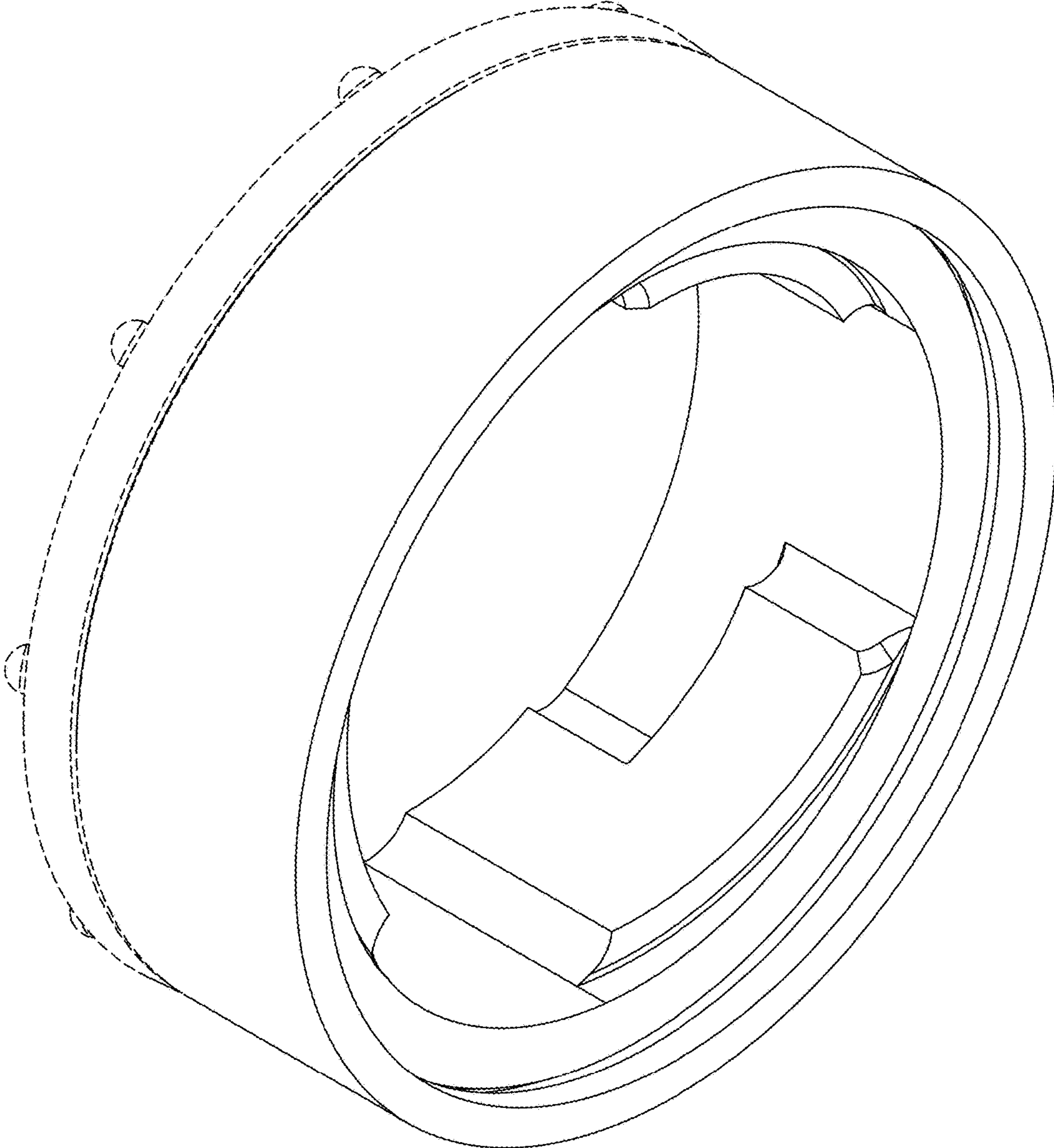


FIG. 1

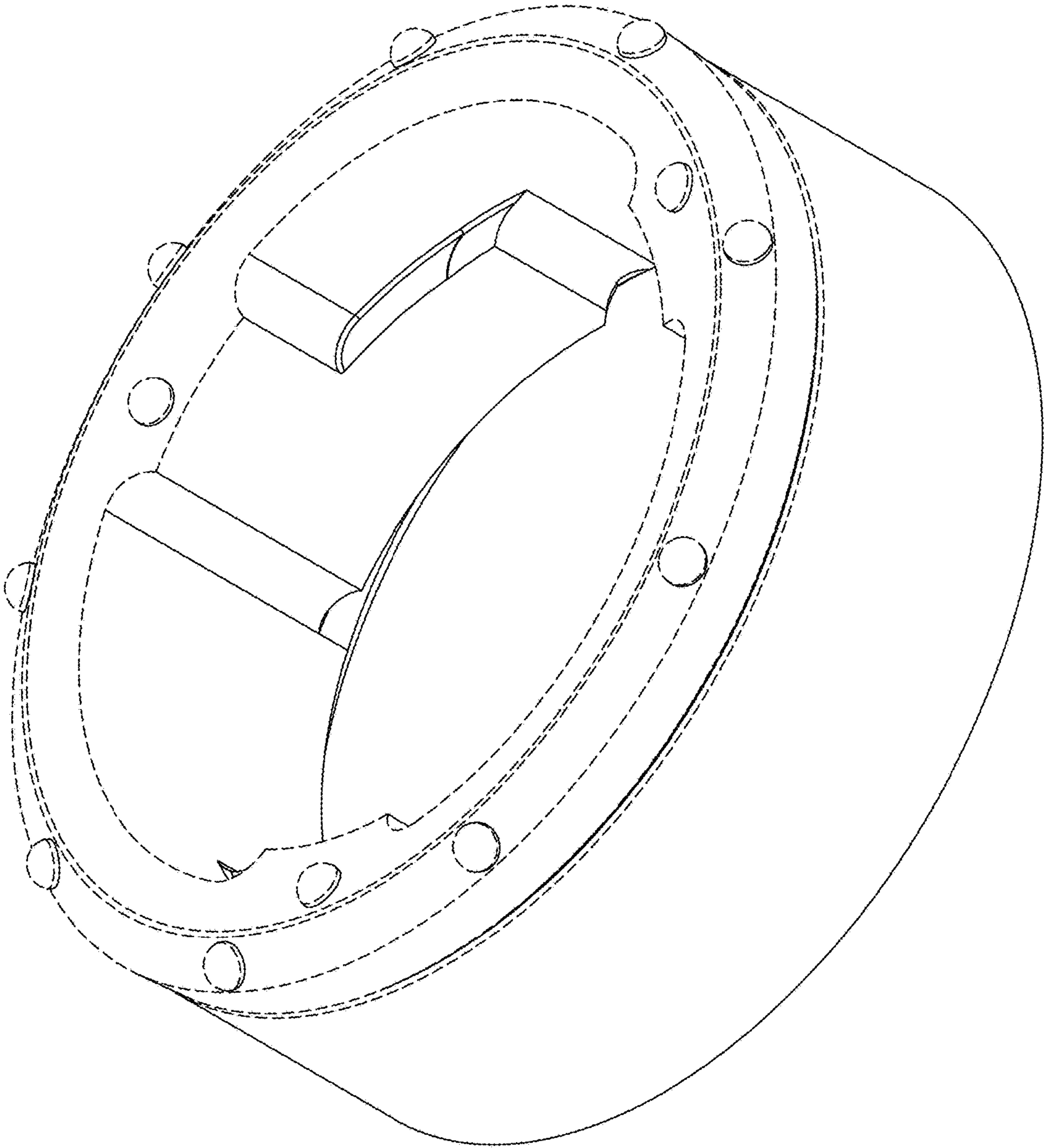


FIG. 2

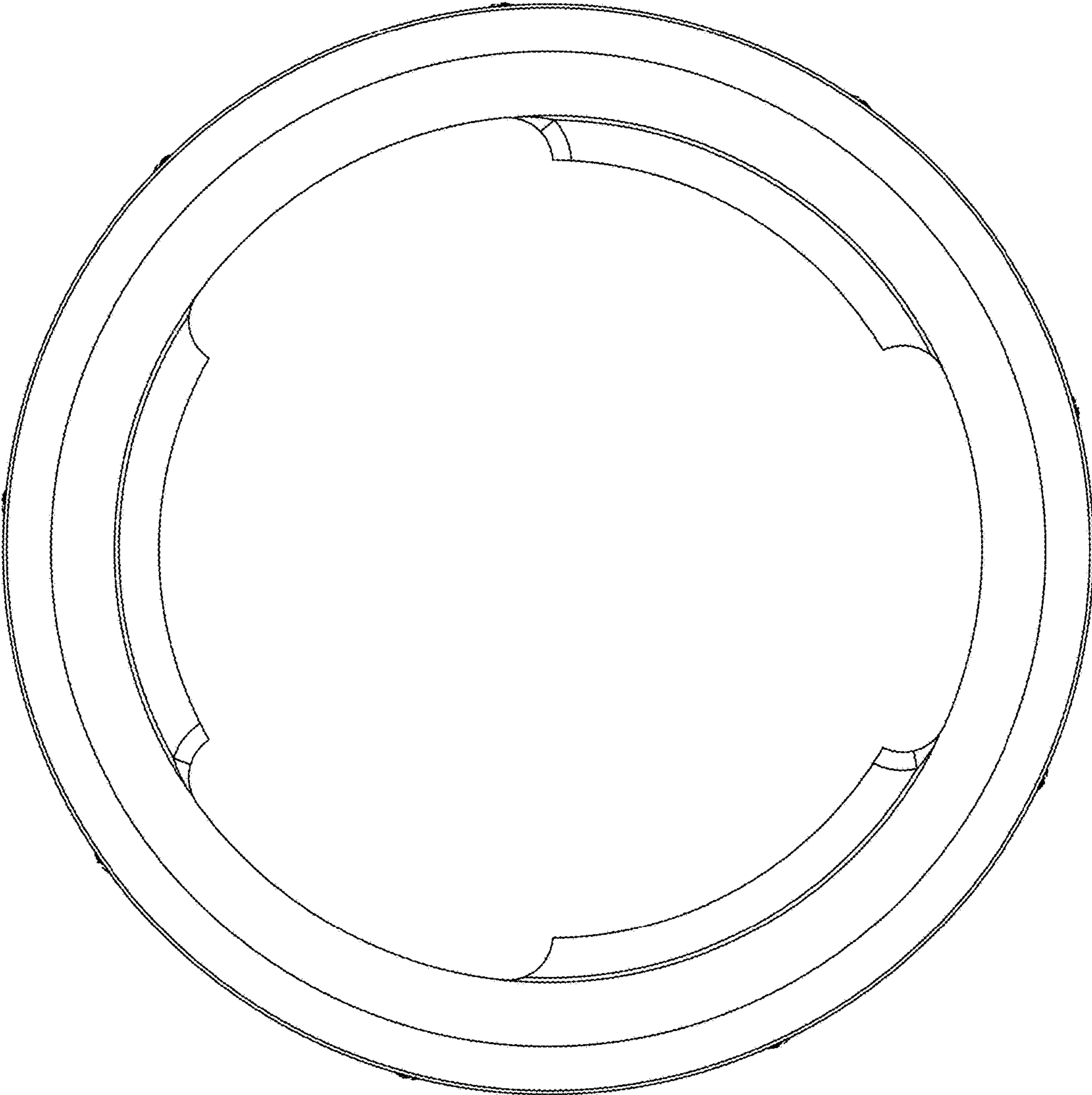


FIG. 3

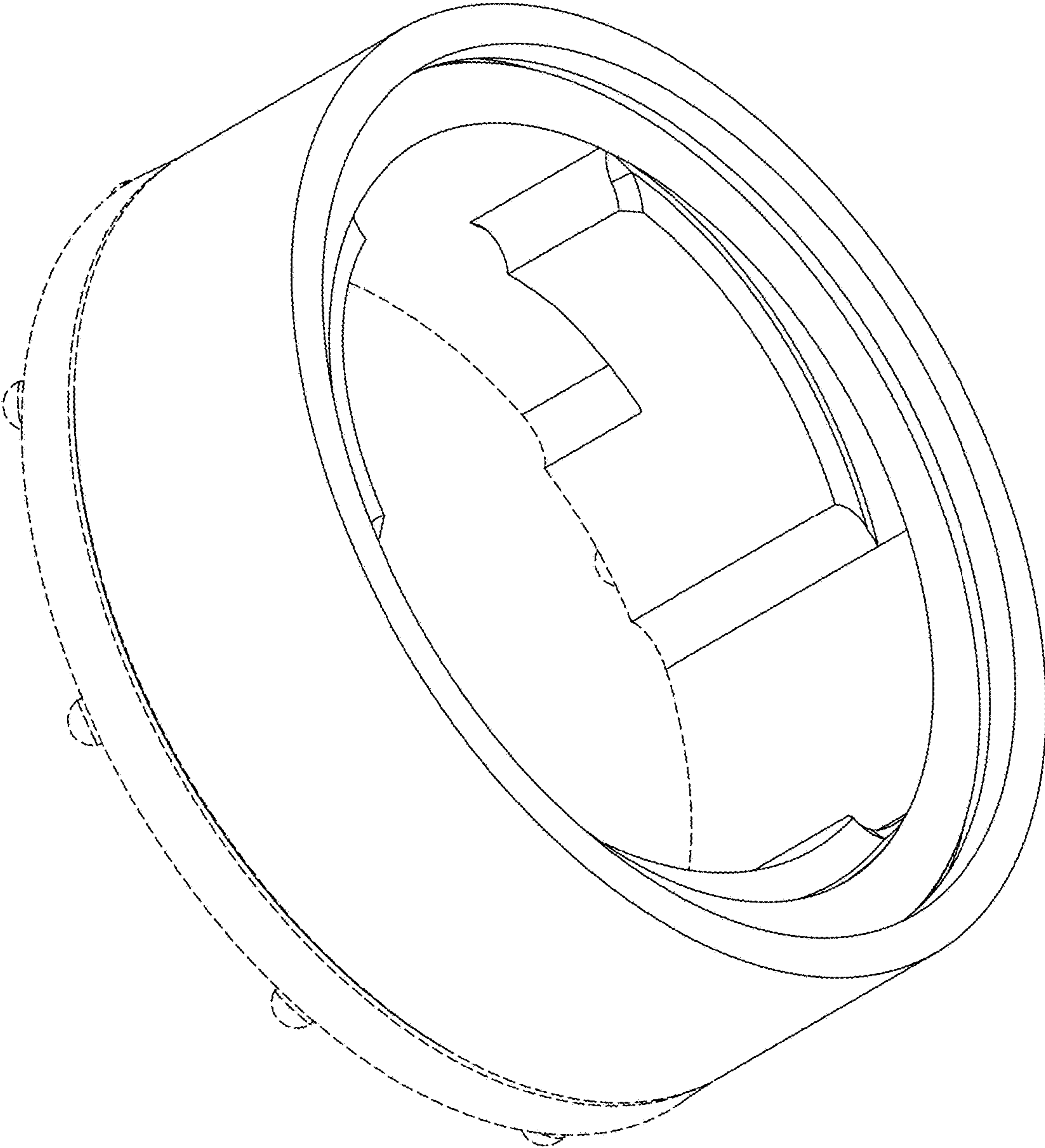


FIG. 4

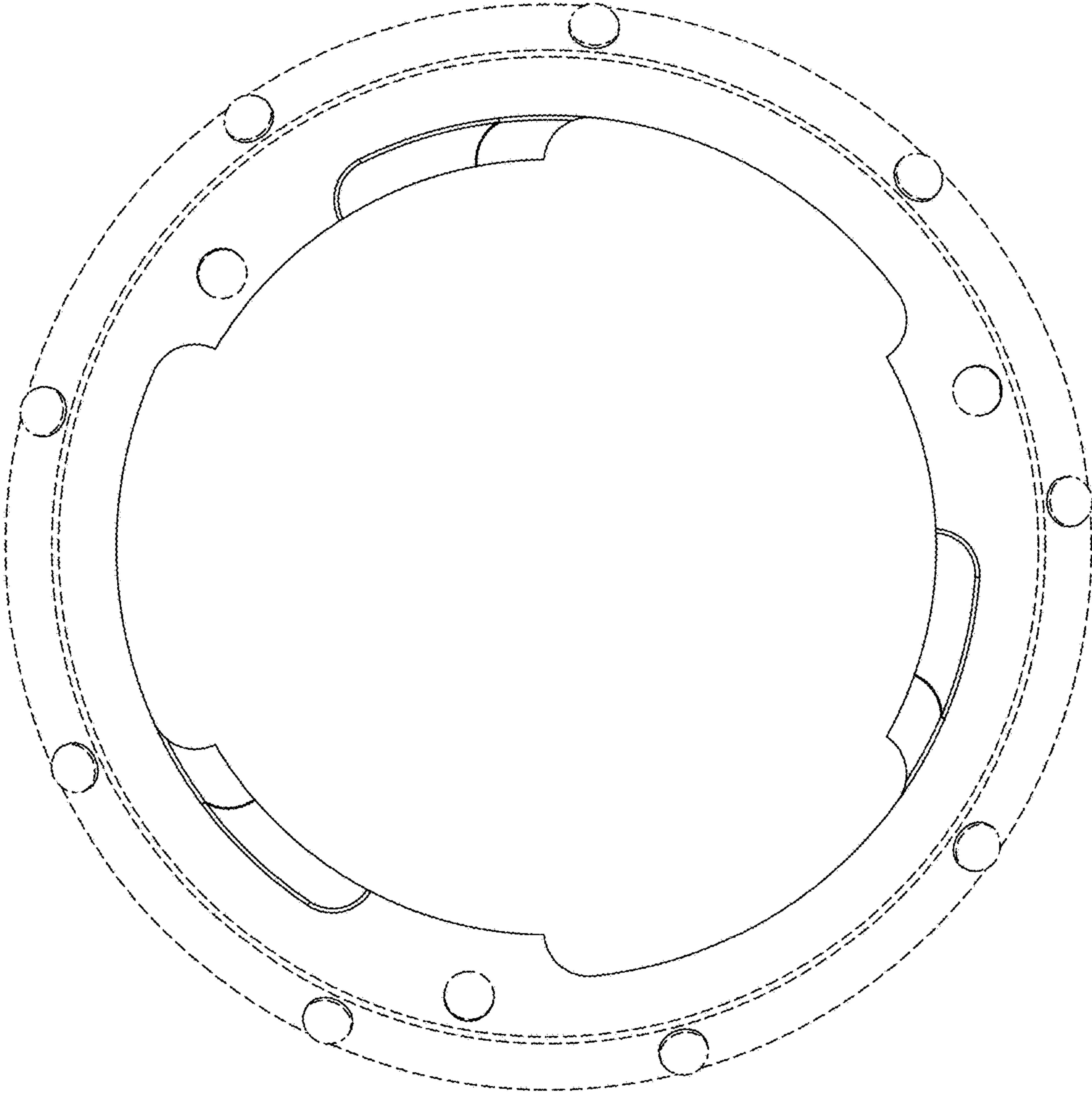


FIG. 5

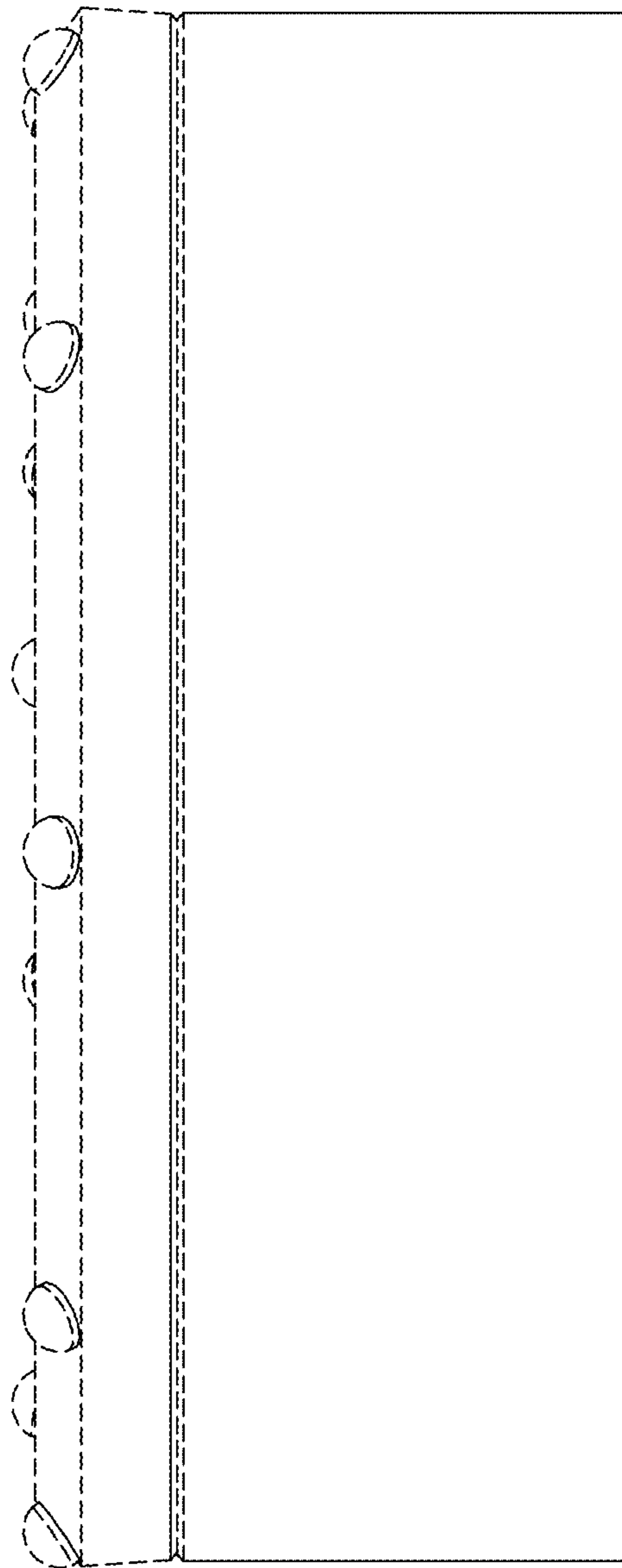


FIG. 6