



US00D802635S

(12) **United States Design Patent**
Romanoff et al.

(10) **Patent No.:** **US D802,635 S**

(45) **Date of Patent:** **** Nov. 14, 2017**

(54) **CONTOUR FOLLOWER FOR A FLUID JET CUTTING MACHINE**

(71) Applicant: **Flow International Corporation**, Kent, WA (US)

(72) Inventors: **Ethan E. Romanoff**, Bonney Lake, WA (US); **Kenneth E. Claeys**, Kent, WA (US)

(73) Assignee: **Flow International Corporation**, Kent, WA (US)

(**) Term: **15 Years**

(21) Appl. No.: **29/544,175**

(22) Filed: **Oct. 30, 2015**

(51) **LOC (10) Cl.** **15-09**

(52) **U.S. Cl.**
USPC **D15/138**

(58) **Field of Classification Search**
USPC D15/122, 127, 138, 199
CPC B24C 1/045; B24C 1/086; B23Q 17/2208; B23Q 17/2233; B23Q 17/2241; B26D 7/22; B26D 7/2628; B26F 3/004; Y10T 83/0591

See application file for complete search history.

(56) **References Cited**

U.S. PATENT DOCUMENTS

6,649,123 B2 11/2003 Babai
6,852,002 B2 2/2005 Stewart et al.
7,331,842 B2 2/2008 Sciulli et al.
7,464,630 B2 12/2008 Knaupp et al.

7,703,363 B2 4/2010 Knaupp et al.
7,803,036 B2 9/2010 Sciulli et al.
2006/0040590 A1* 2/2006 Sciulli B23Q 17/2233 451/38
2013/0025422 A1* 1/2013 Chillman B24C 1/045 83/53
2013/0306748 A1* 11/2013 Hashish B26F 3/008 239/11
2017/0015018 A1* 1/2017 Hashish B26D 5/06
2017/0113324 A1* 4/2017 Romanoff B24C 1/045
2017/0136650 A1* 5/2017 Hashish B26F 3/008

* cited by examiner

Primary Examiner — Patricia Palasik

(74) *Attorney, Agent, or Firm* — Seed IP Law Group LLP

(57) **CLAIM**

The ornamental design for a contour follower for a fluid jet cutting machine, substantially as shown and described.

DESCRIPTION

FIG. 1 is a top isometric view of a contour follower for a fluid jet cutting machine.

FIG. 2 is a bottom isometric view thereof.

FIG. 3 is a front elevational view thereof.

FIG. 4 is a rear elevational view thereof.

FIG. 5 is a right side elevational view thereof.

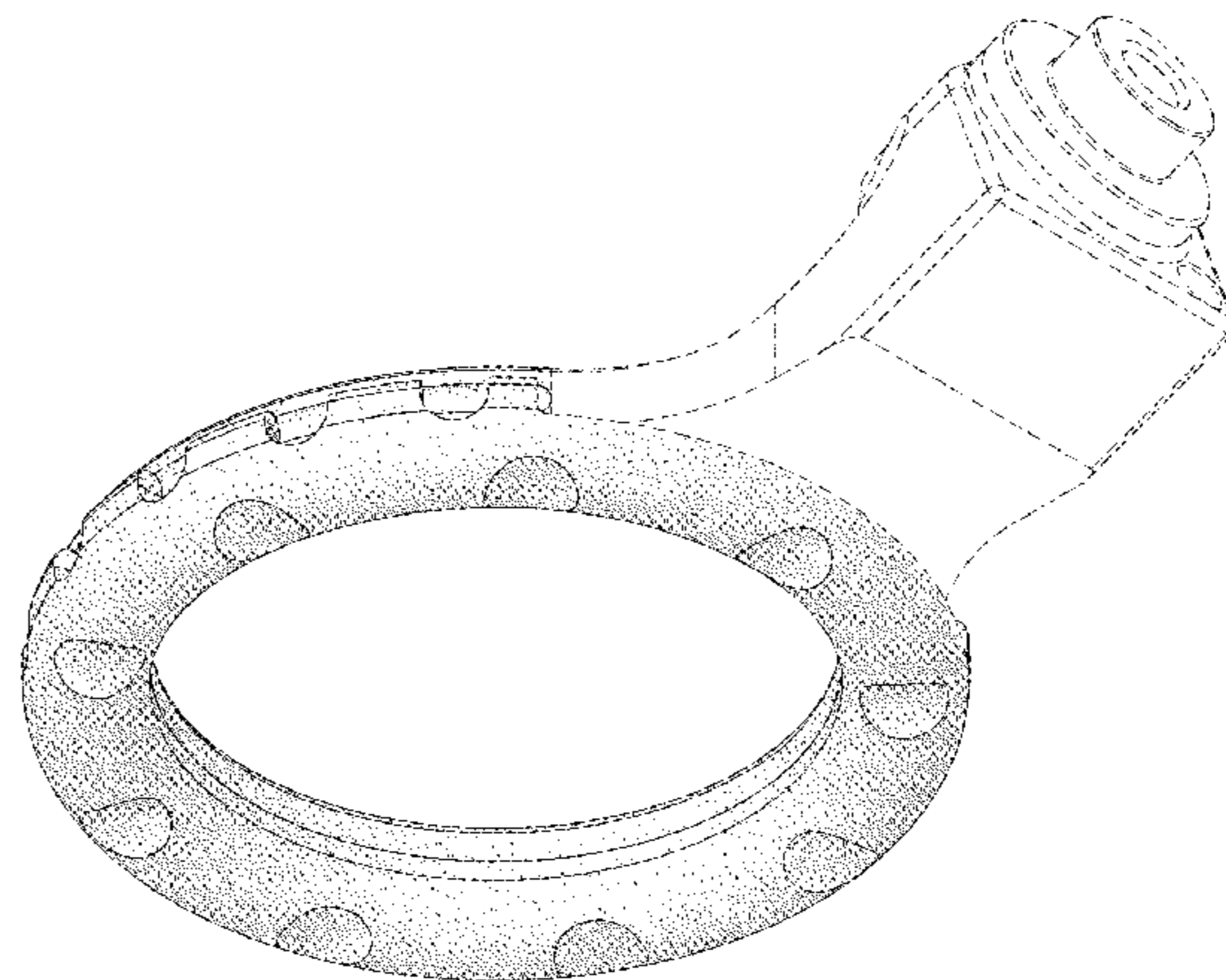
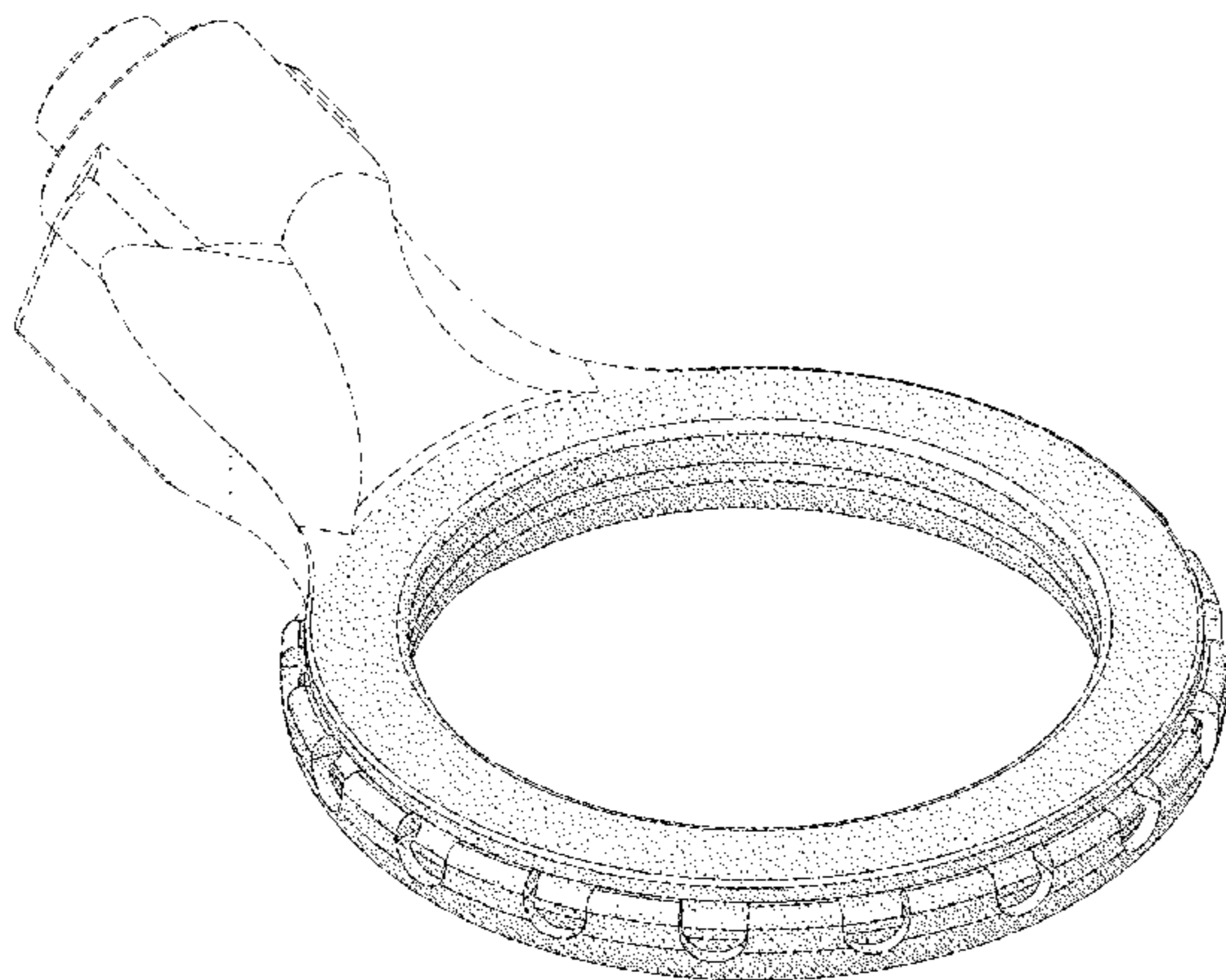
FIG. 6 is a left side elevational view thereof.

FIG. 7 is a top plan view thereof; and,

FIG. 8 is a bottom plan view thereof.

Stippling shown in the drawings provides surface shading and is not intended to indicate surface decoration. The broken lines in the drawings depict unclaimed environmental subject matter.

1 Claim, 3 Drawing Sheets



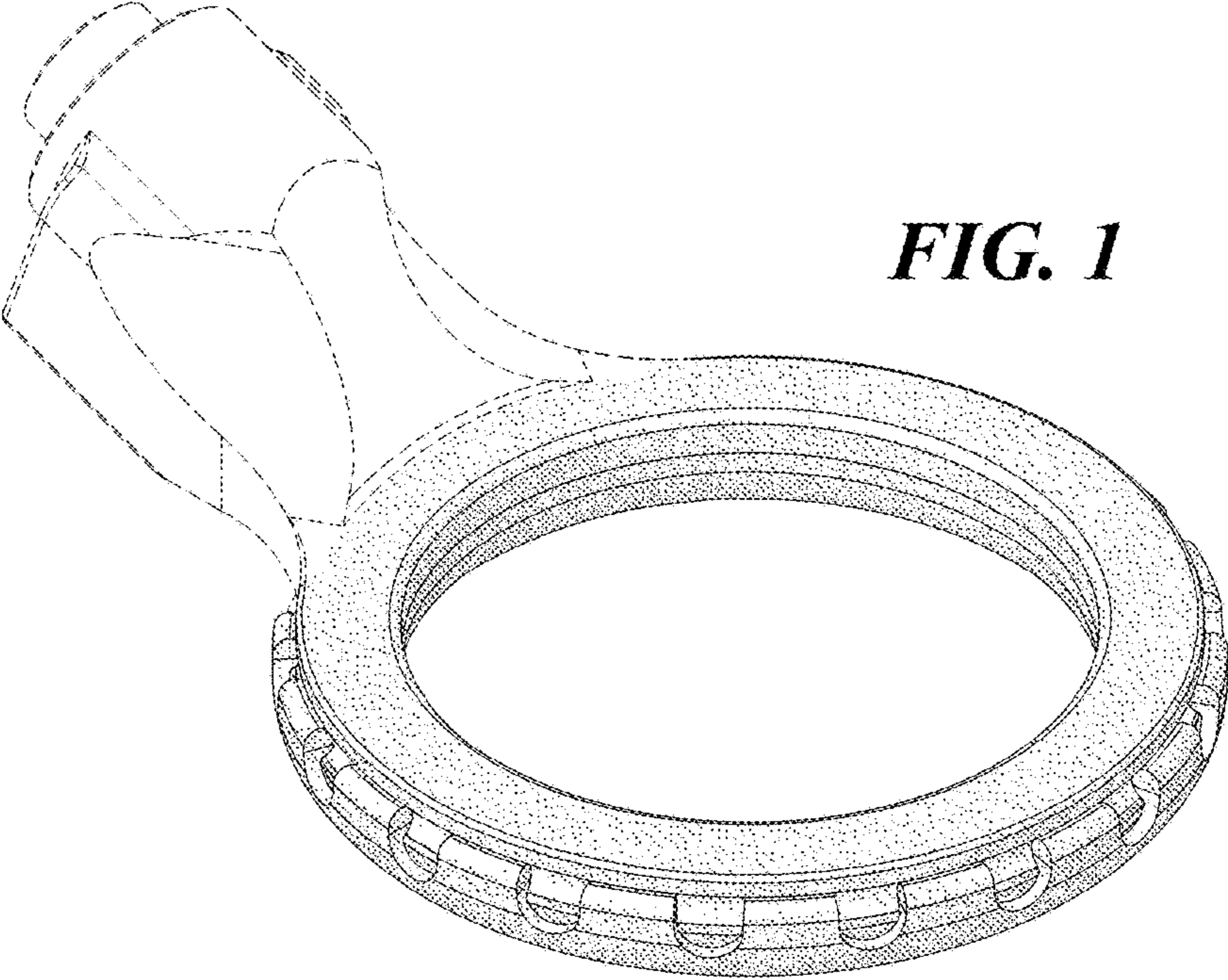


FIG. 1

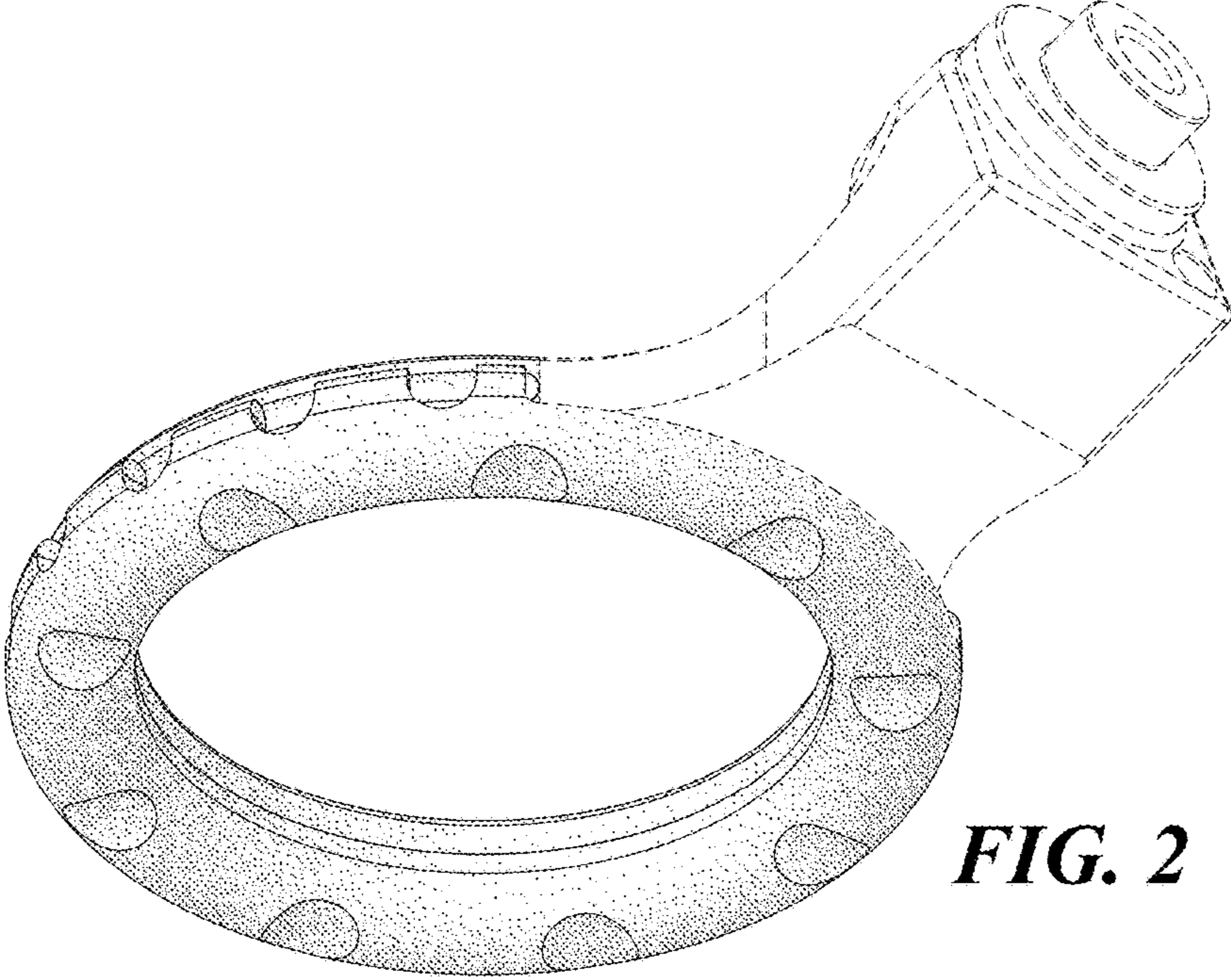


FIG. 2

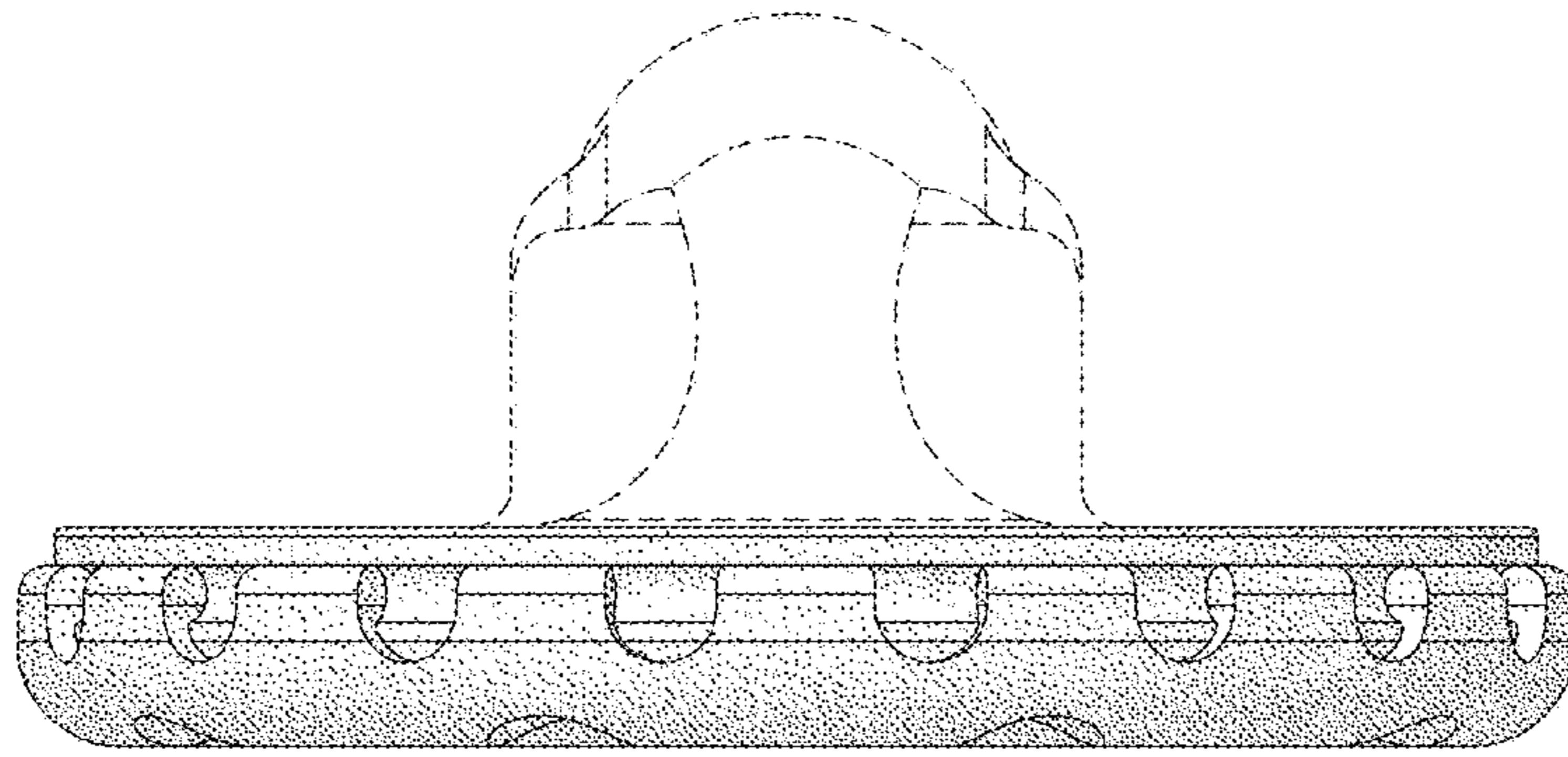


FIG. 3

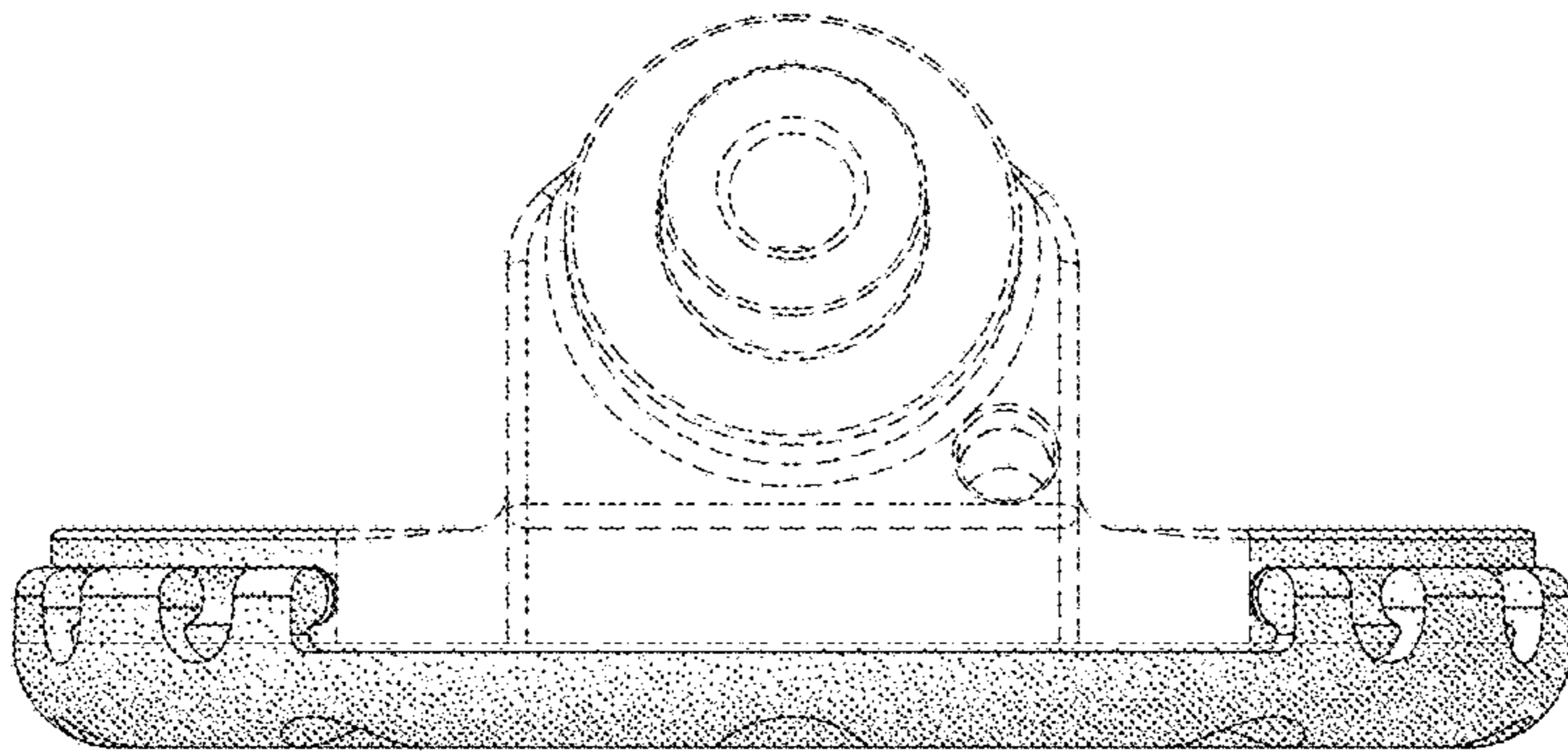


FIG. 4

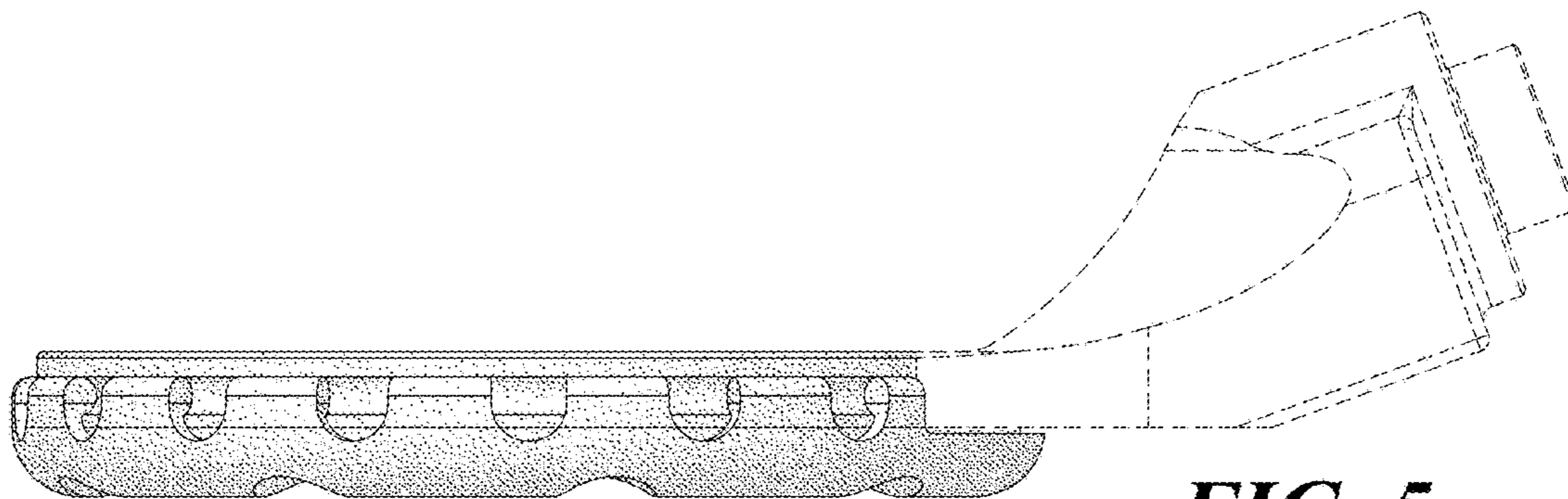


FIG. 5

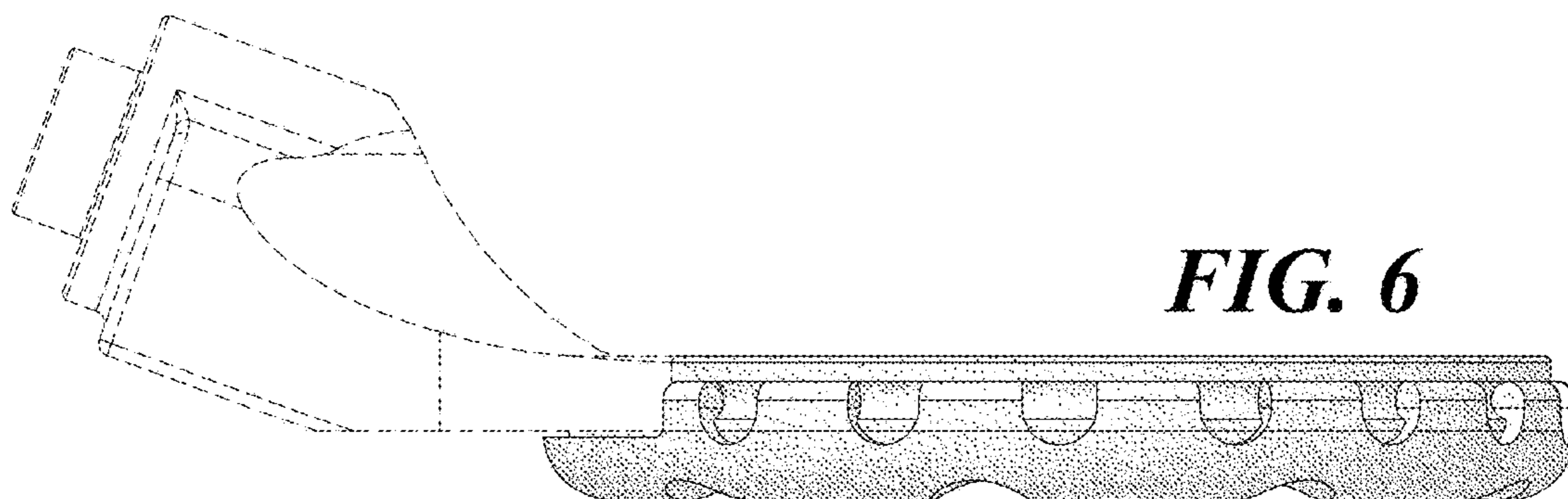


FIG. 6

