



US00D802632S

(12) **United States Design Patent** (10) **Patent No.:** **US D802,632 S**  
**Li** (45) **Date of Patent:** **\*\* Nov. 14, 2017**

(54) **LASER ENGRAVING MACHINE**  
(71) Applicant: **Shenzhen Triumph Industrial Co., LTD**, Shenzhen (CN)  
(72) Inventor: **Shaojie Li**, Shenzhen (CN)  
(\*\*) Term: **15 Years**  
(21) Appl. No.: **29/567,331**  
(22) Filed: **Jun. 8, 2016**  
(51) **LOC (10) Cl.** ..... **15-09**  
(52) **U.S. Cl.**  
USPC ..... **D15/122; D15/127**  
(58) **Field of Classification Search**  
USPC ..... D15/122, 127  
CPC ..... B23K 26/10; B23K 26/12; B23K 26/127;  
B23K 26/702; B23K 26/0643; B44B  
7/00; B44B 7/007  
See application file for complete search history.

6,855,911 B1 \* 2/2005 Lai ..... B23K 26/03  
219/121.86  
6,984,803 B1 \* 1/2006 Gamier ..... B23K 26/0853  
219/121.67  
7,246,961 B2 \* 7/2007 Gilmour ..... B41J 11/663  
156/257  
8,309,881 B2 \* 11/2012 Li ..... B23K 26/0096  
219/121.68  
8,536,484 B2 \* 9/2013 Lin ..... B23K 26/0876  
219/121.68  
9,446,260 B2 \* 9/2016 Jagger ..... A61N 5/0613  
2006/0175300 A1 \* 8/2006 Lai ..... B23K 26/702  
219/121.6  
2008/0017620 A1 \* 1/2008 Sukhman ..... B23K 26/12  
219/121.86  
2009/0020513 A1 \* 1/2009 O'Halloran ..... B23K 26/12  
219/121.72  
2010/0108650 A1 \* 5/2010 Huang ..... B23K 26/362  
219/121.69  
2010/0213180 A1 \* 8/2010 Miller ..... B23K 37/0443  
219/121.69

(Continued)

*Primary Examiner* — Patricia A Palasik  
(74) *Attorney, Agent, or Firm* — Prakash Nama; Global IP Services, PLLC

(56) **References Cited**

U.S. PATENT DOCUMENTS

4,051,748 A \* 10/1977 Sherman ..... B23C 3/355  
409/81  
4,354,196 A \* 10/1982 Neumann ..... B23K 26/08  
347/248  
D308,386 S \* 6/1990 Munson ..... D15/127  
4,985,780 A \* 1/1991 Gamier ..... B23K 26/0643  
219/121.68  
5,183,993 A \* 2/1993 Sato ..... B23K 26/0838  
219/121.78  
6,342,687 B1 \* 1/2002 Sukhman ..... B23K 26/1462  
219/121.6  
6,388,228 B1 \* 5/2002 Lai ..... B23K 26/10  
219/121.6  
6,424,670 B1 \* 7/2002 Sukhman ..... B23K 26/042  
219/121.6  
6,545,249 B2 \* 4/2003 Heyerick ..... B23K 26/046  
219/121.67

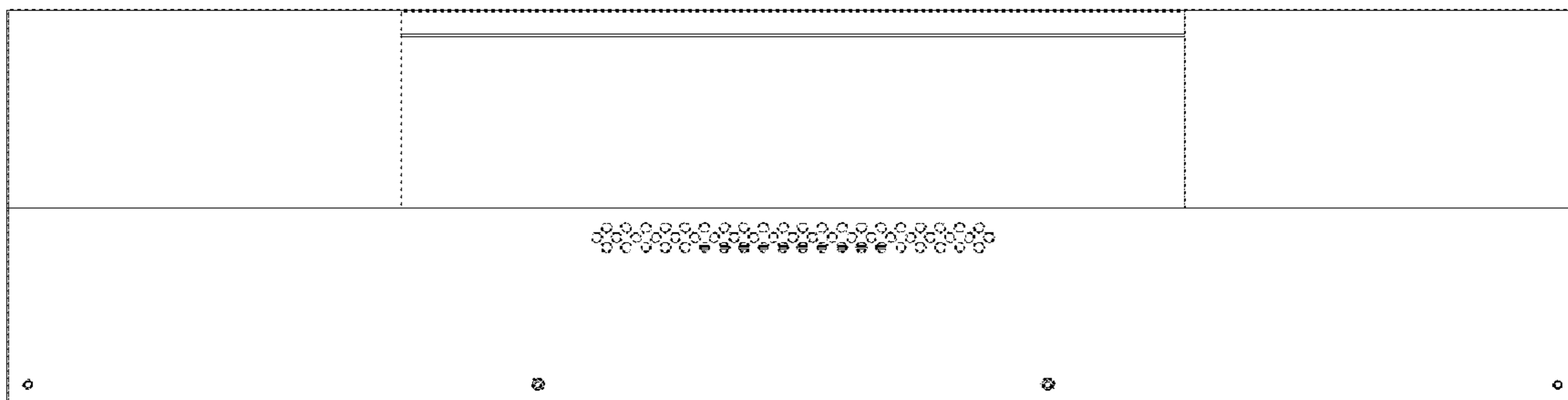
(57) **CLAIM**

The ornamental design for a laser engraving machine, as shown.

**DESCRIPTION**

FIG. 1 is a front elevational view of a laser engraving machine showing my new design;  
FIG. 2 is a rear elevational view thereof;  
FIG. 3 is a left side view thereof;  
FIG. 4 is a right side view thereof;  
FIG. 5 is a top plan view thereof;  
FIG. 6 is a bottom plan view thereof;  
FIG. 7 is a perspective view thereof; and,  
FIG. 8 is another perspective view thereof.

**1 Claim, 3 Drawing Sheets**



(56)

**References Cited**

U.S. PATENT DOCUMENTS

2011/0174788 A1\* 7/2011 Chai ..... B23K 26/03  
219/121.68  
2011/0174789 A1\* 7/2011 Li ..... B23K 26/0096  
219/121.68

\* cited by examiner

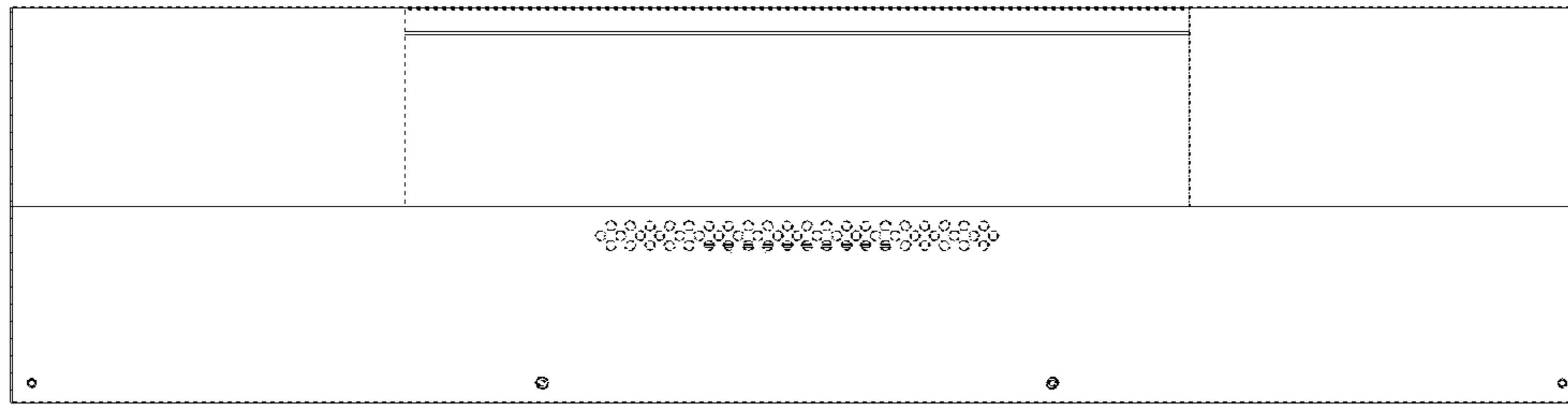


FIG. 1

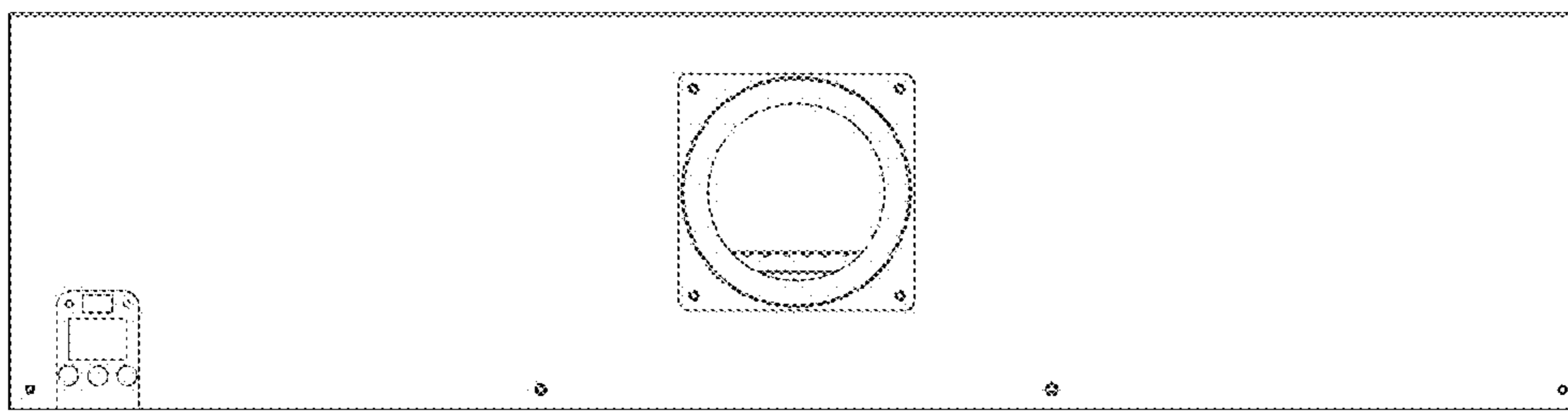


FIG. 2

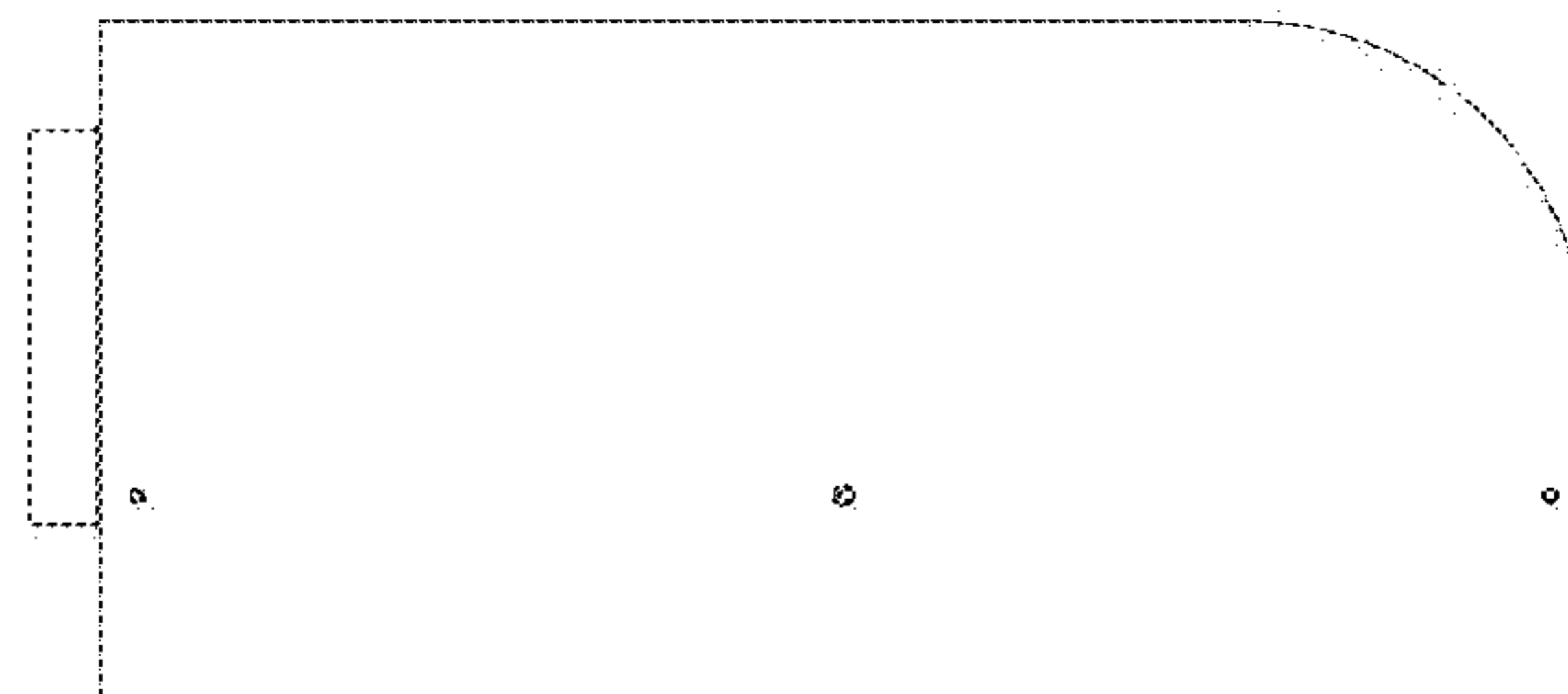


FIG. 3



FIG. 4

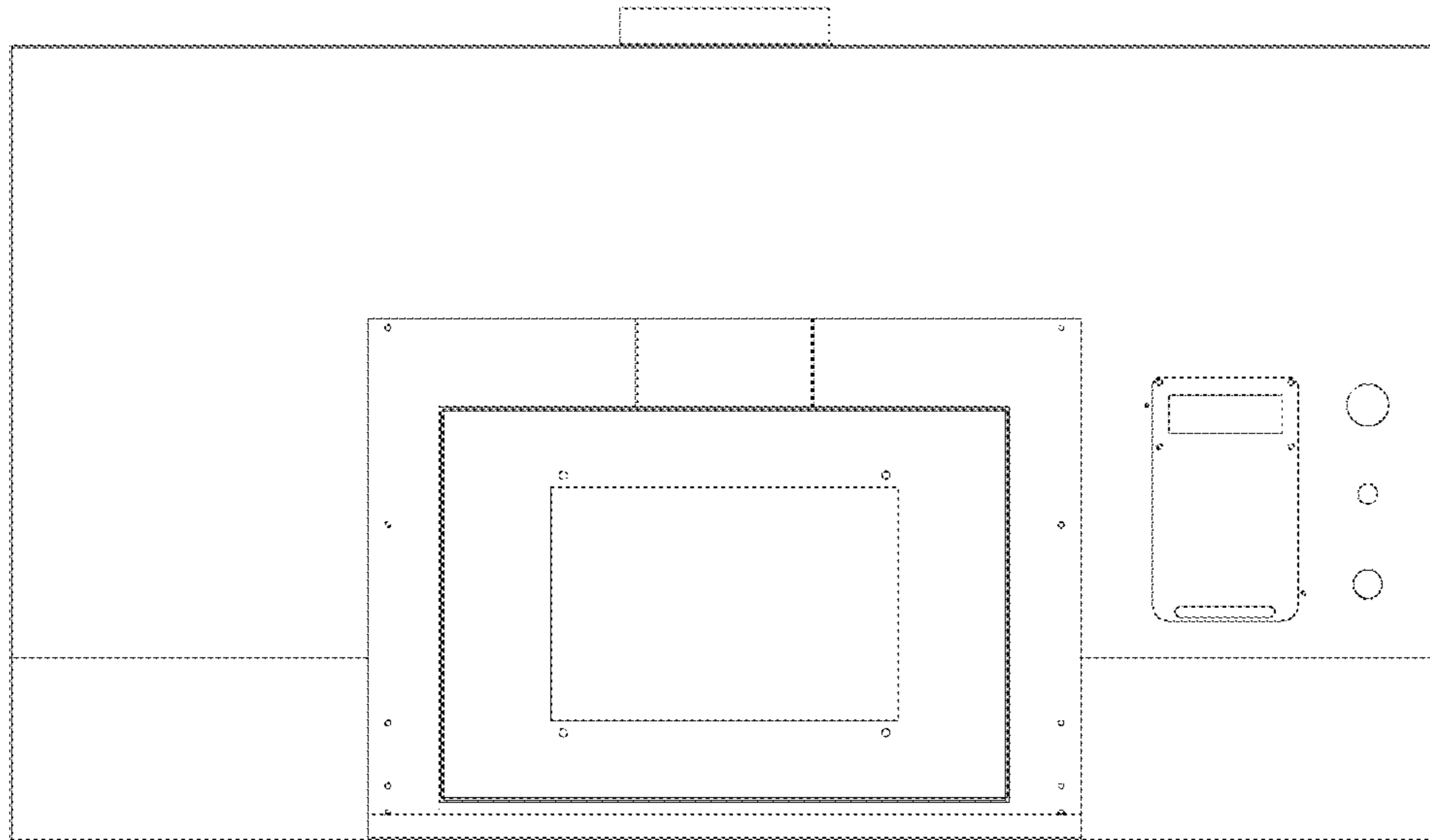


FIG. 5

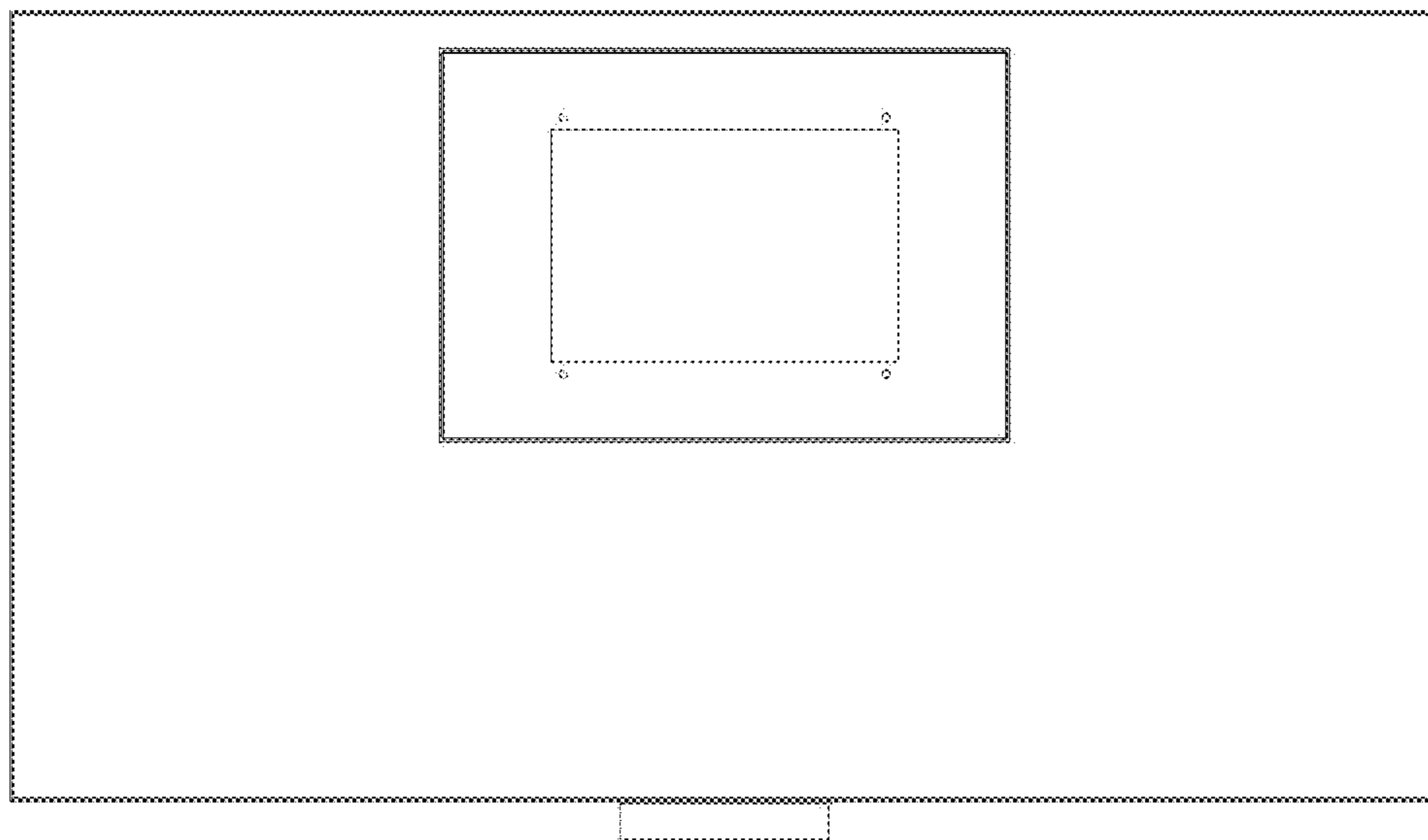


FIG. 6

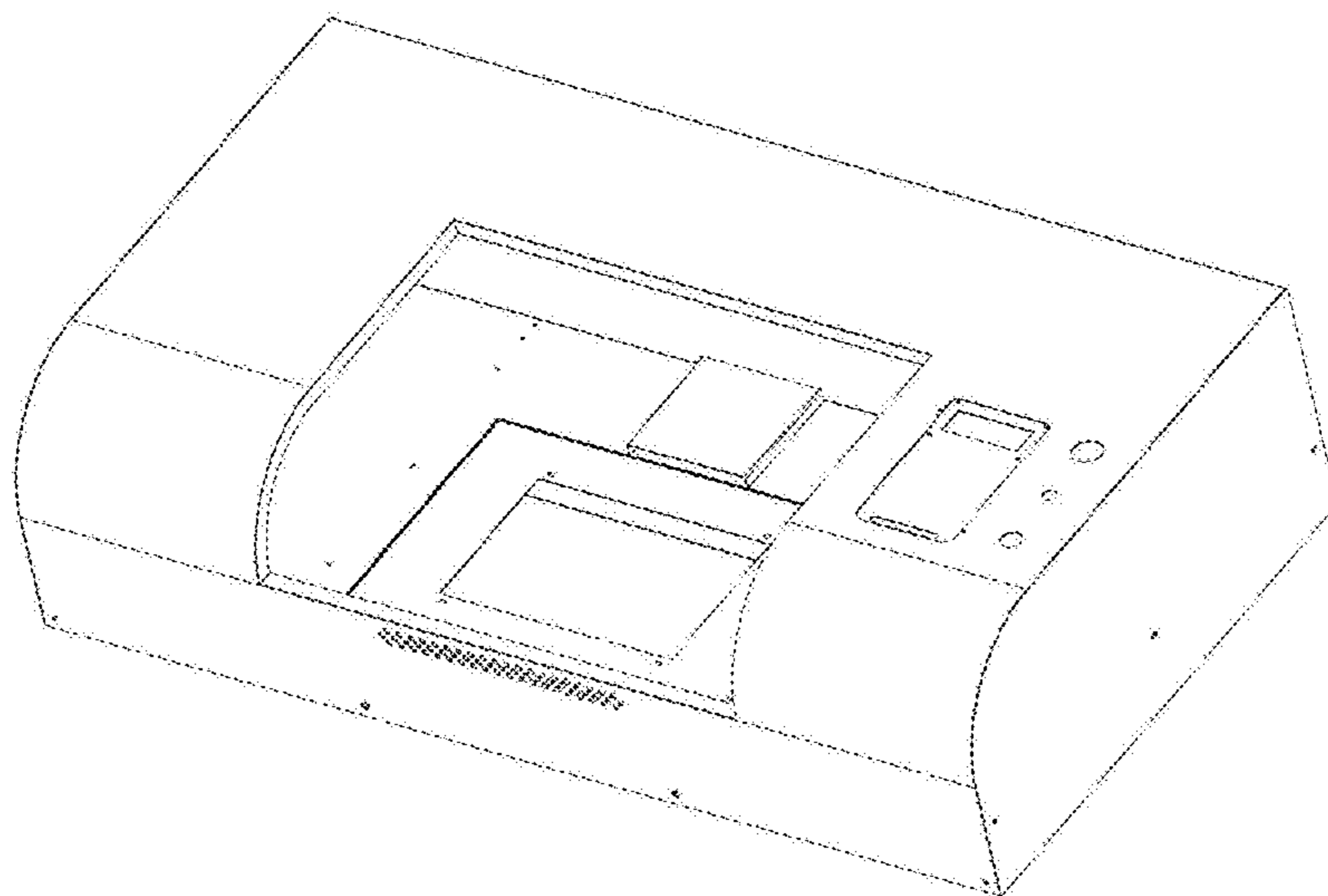


FIG. 7

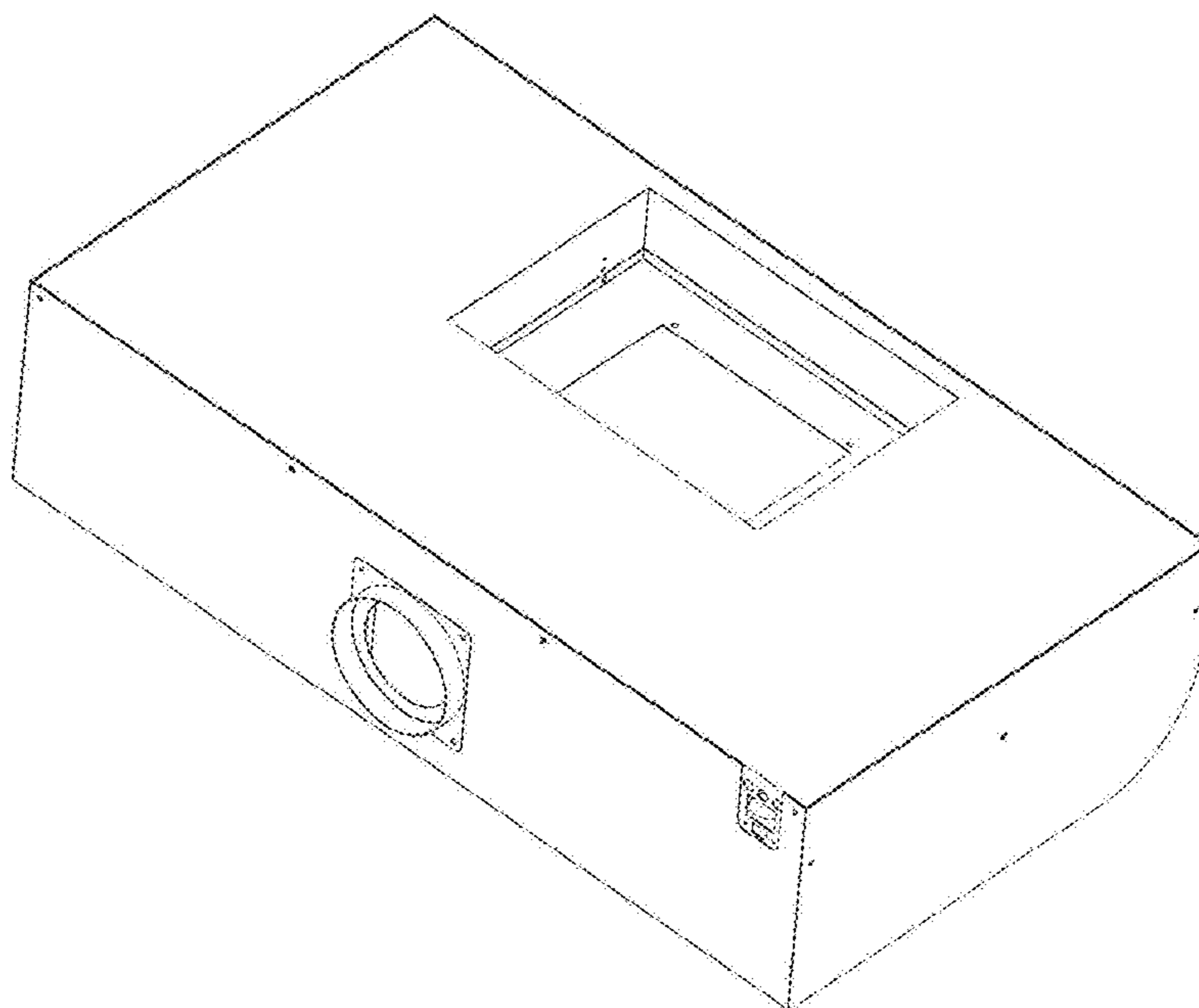


FIG. 8