



US00D802631S

(12) **United States Design Patent**
Seo et al.

(10) **Patent No.:** **US D802,631 S**
(45) **Date of Patent:** **** Nov. 14, 2017**

(54) **REFRIGERATOR DRAWER**
(71) Applicant: **LG ELECTRONICS INC.**, Seoul (KR)
(72) Inventors: **Woonkyu Seo**, Seoul (KR); **Seonil Yu**, Seoul (KR); **Hyokku Kwon**, Seoul (KR); **Hyein Yang**, Seoul (KR)
(73) Assignee: **LG Electronics Inc.**, Seoul (KR)
(**) Term: **15 Years**
(21) Appl. No.: **35/501,331**
(22) Filed: **Feb. 5, 2016**

(80) **Hague Agreement Data**
Int. Filing Date: **Feb. 5, 2016**
Int. Reg. No.: **DM/089863**
Int. Reg. Date: **Feb. 5, 2016**
Int. Reg. Pub. Date: **Aug. 5, 2016**

(30) **Foreign Application Priority Data**
Sep. 7, 2015 (KR) 30-2015-0045261
(51) **LOC (10) Cl.** **15-07**
(52) **U.S. Cl.**
USPC **D15/90**
CPC **F25D 25/025** (2013.01)
(58) **Field of Classification Search**
USPC D15/79-91
CPC .. F25D 25/025; F25D 23/00; F25D 2323/021; F25D 11/00; F25D 2323/024; F25D 23/04; F25D 29/00; F25D 25/02; F25D 25/024; F25D 27/005; F25D 23/12; F25D 29/005; F25D 17/042; F25D 2325/021
See application file for complete search history.

(56) **References Cited**
U.S. PATENT DOCUMENTS
2,455,182 A * 11/1948 La Vallee F25D 25/025 312/270.3
D656,968 S * 4/2012 Hwang D15/86

D658,213 S * 4/2012 Seo D15/86
D658,214 S * 4/2012 Seo D15/86
D676,468 S * 2/2013 Lee D15/89
D677,289 S * 3/2013 Seo D15/90
D685,010 S * 6/2013 Seo D15/86
D706,314 S * 6/2014 Seo D15/89
D730,954 S * 6/2015 Choi D15/89
D730,957 S * 6/2015 You D15/91
D731,562 S * 6/2015 You D15/89
D737,869 S * 9/2015 Seo D15/91
D743,454 S * 11/2015 Yeo D15/89
D774,114 S * 12/2016 Lee D15/89
D786,949 S * 5/2017 Onrat D15/89

* cited by examiner

Primary Examiner — Richard E Chilcot
(74) *Attorney, Agent, or Firm* — Birch, Stewart, Kolasch & Birch, LLP

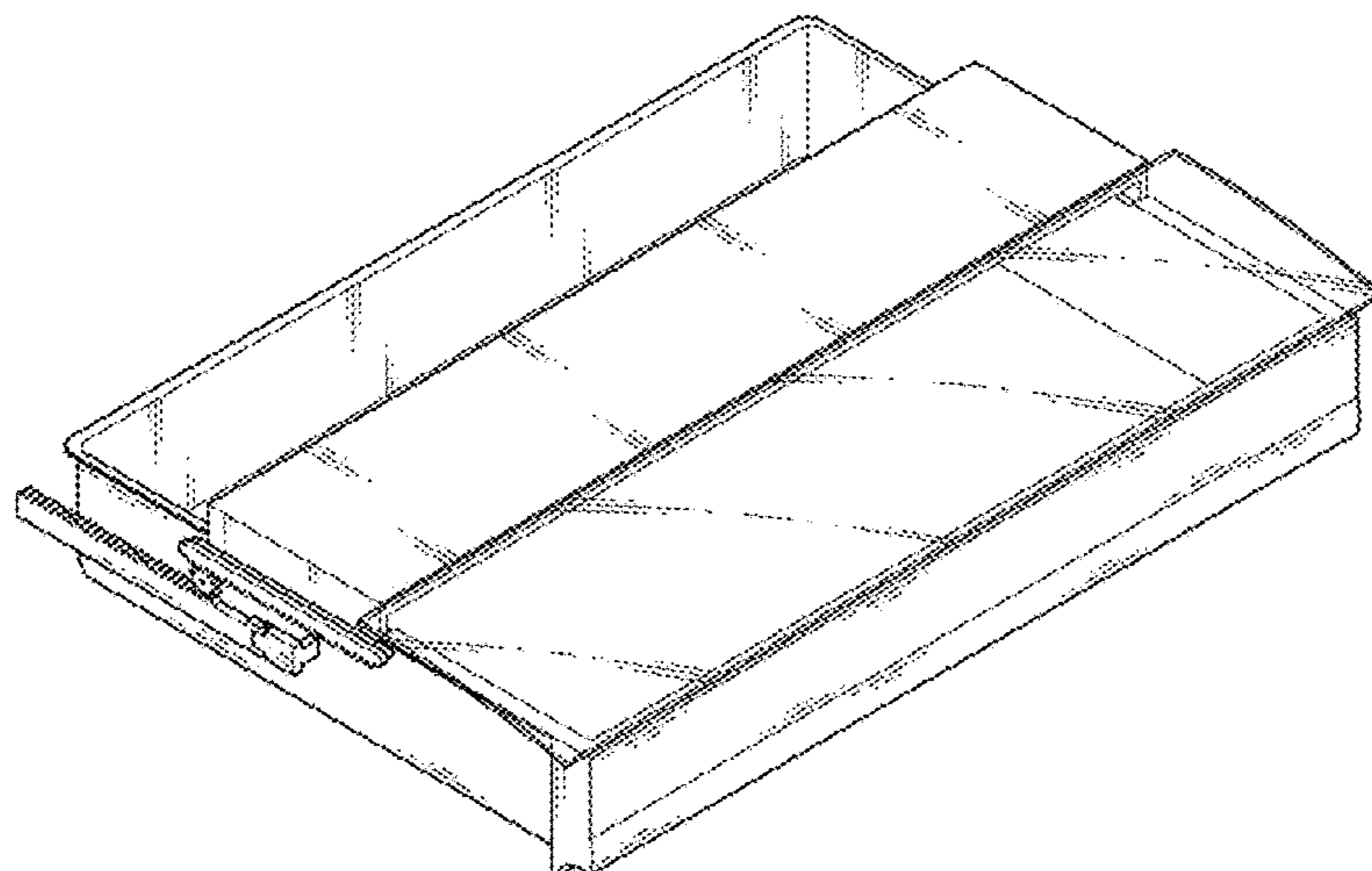
(57) **CLAIM**

The ornamental design for a refrigerator drawer, as shown and described.

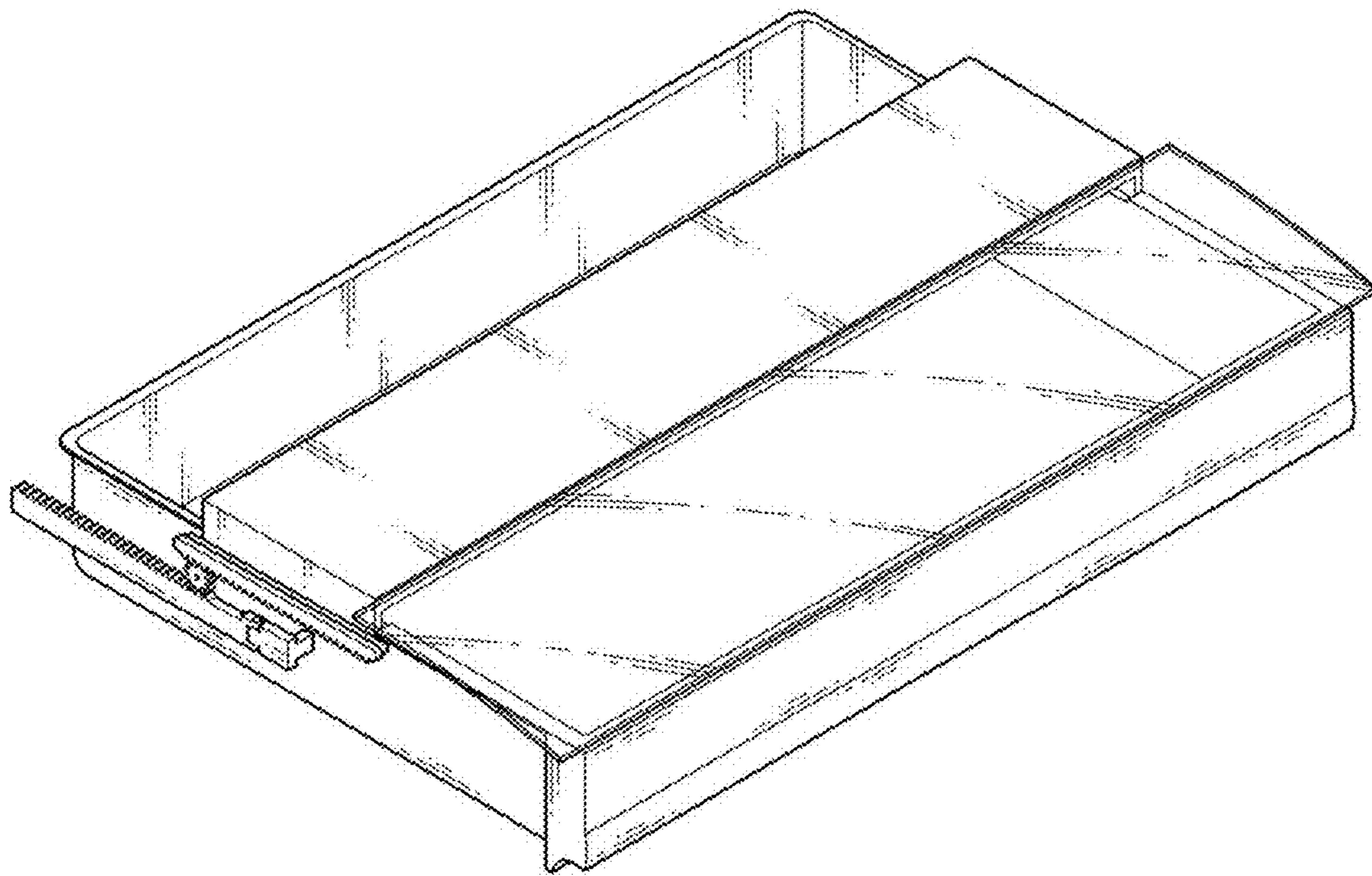
DESCRIPTION

1. Refrigerator drawer
FIG. 1.1 is a perspective view of a guide for drawer of refrigerator showing our new design;
FIG. 1.2 is a front view thereof;
FIG. 1.3 is a rear view thereof;
FIG. 1.4 is a left side view thereof;
FIG. 1.5 is a right side view thereof;
FIG. 1.6 is a top plan view thereof;
FIG. 1.7 is a bottom plan view thereof;
FIG. 1.8 is a reference view thereof showing the state that the subject design opened; and
FIG. 1.9 is a front view thereof, in use condition;
FIG. 1.10 is a side view thereof, in an alternate use condition; and,
FIG. 1.11 is a top view thereof, in an alternate use condition.

1 Claim, 11 Drawing Sheets



1.1



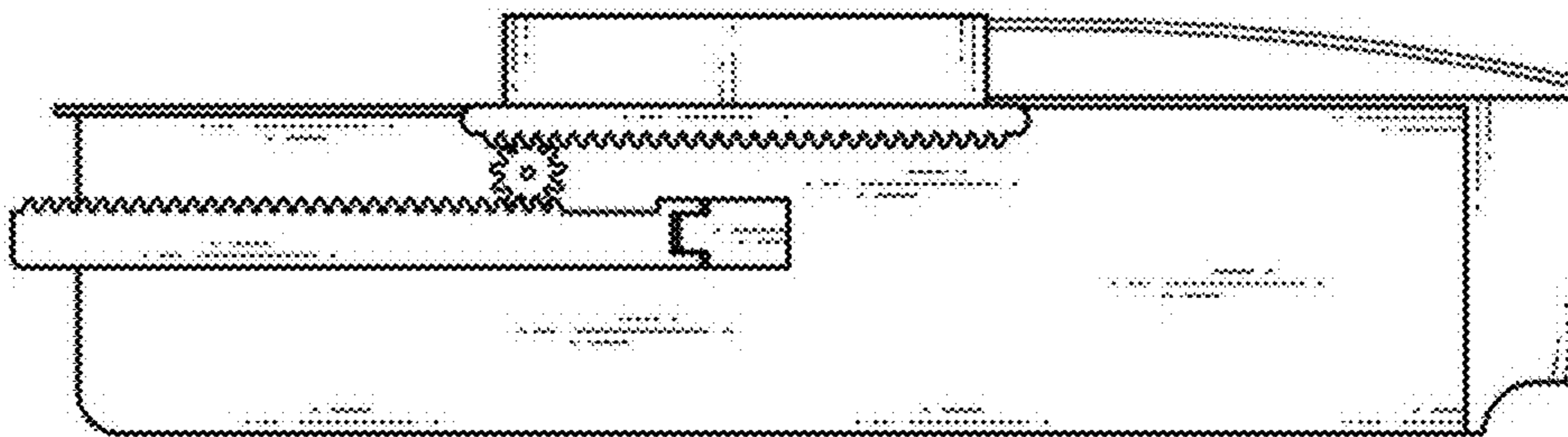
1.2



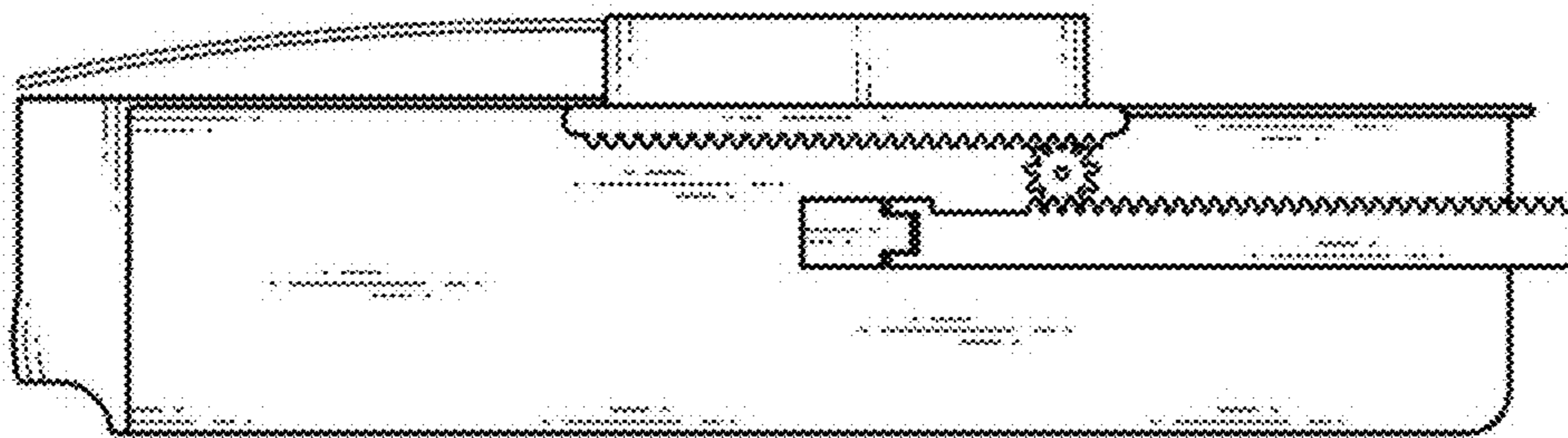
1.3



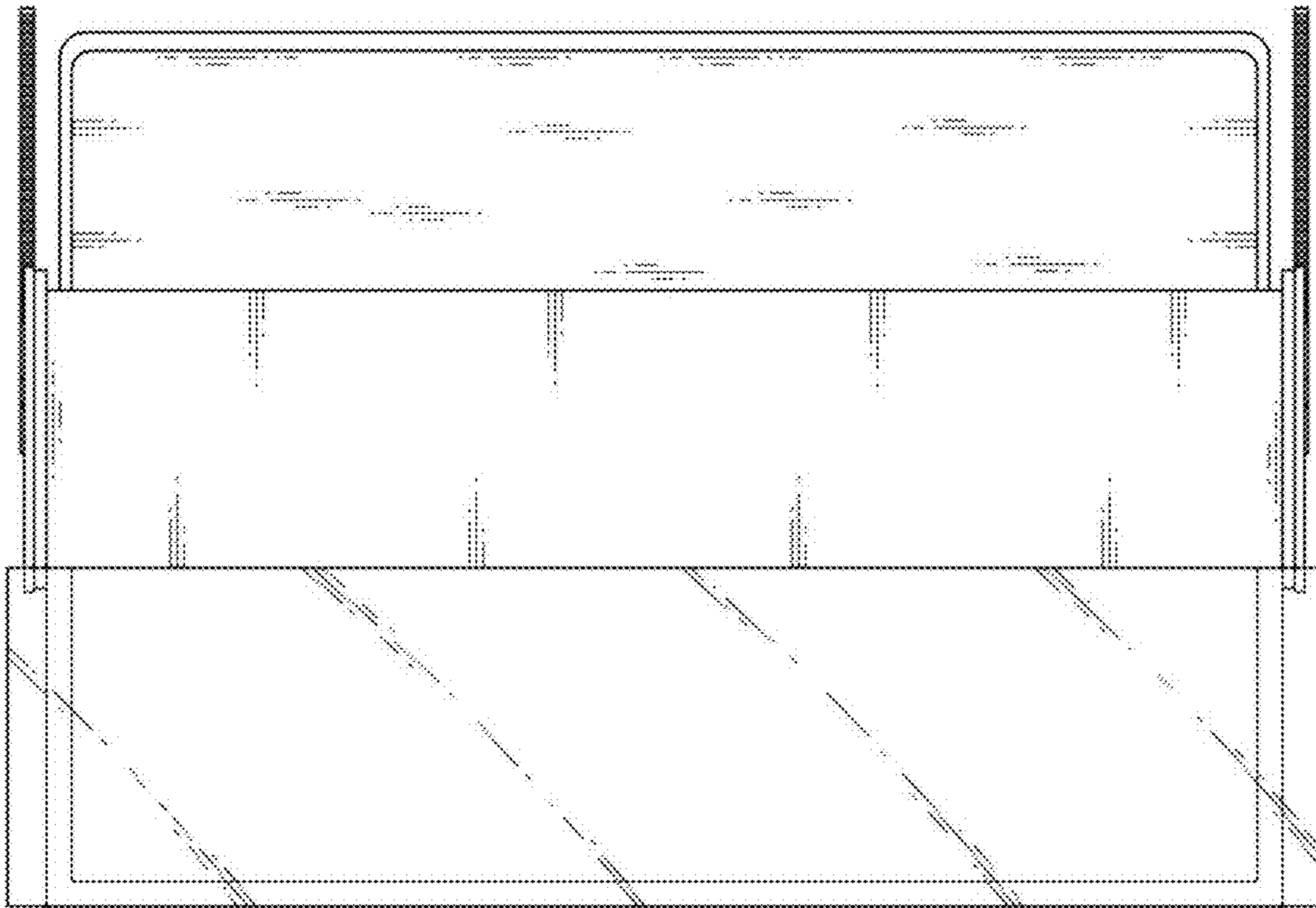
1.4



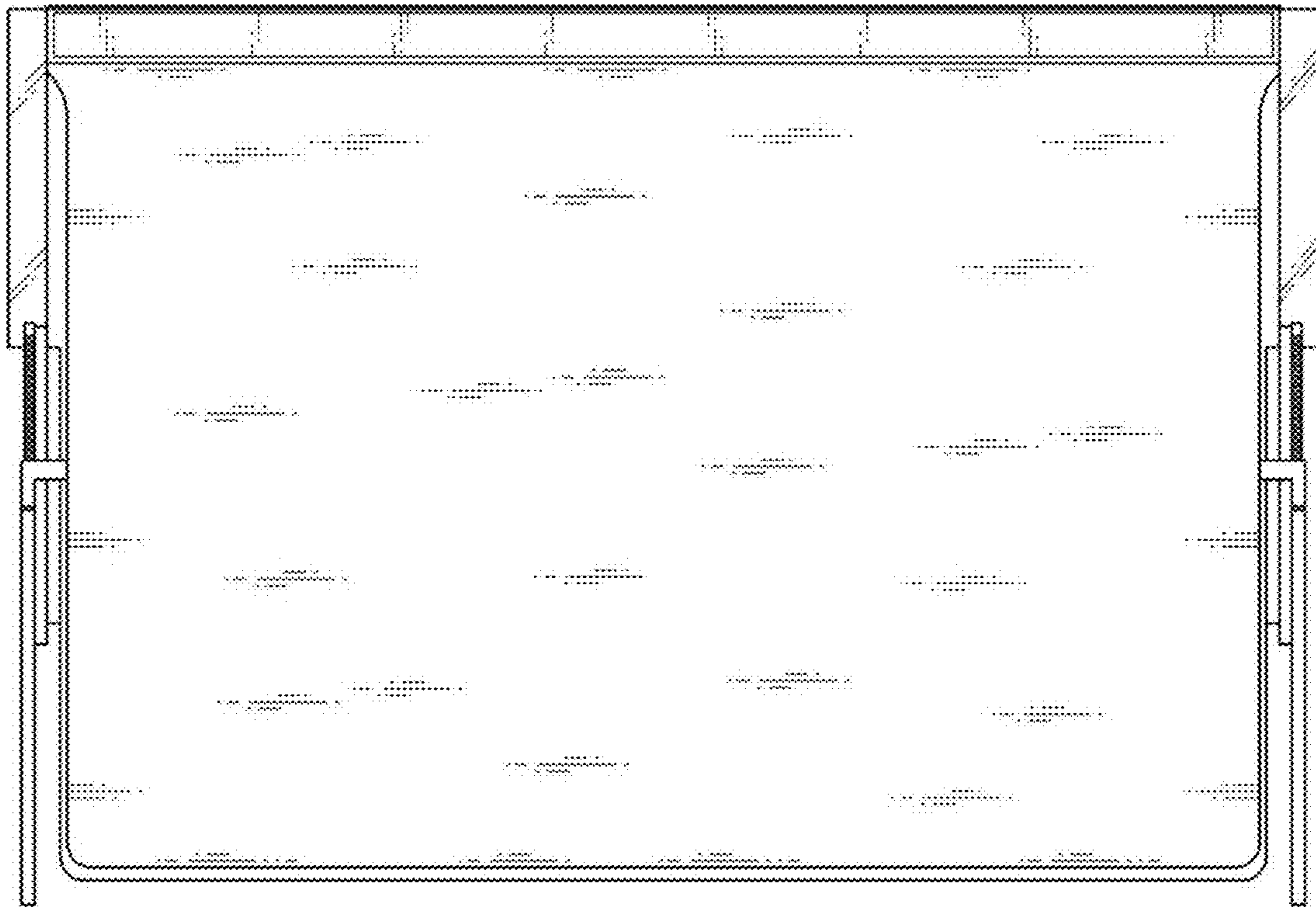
1.5



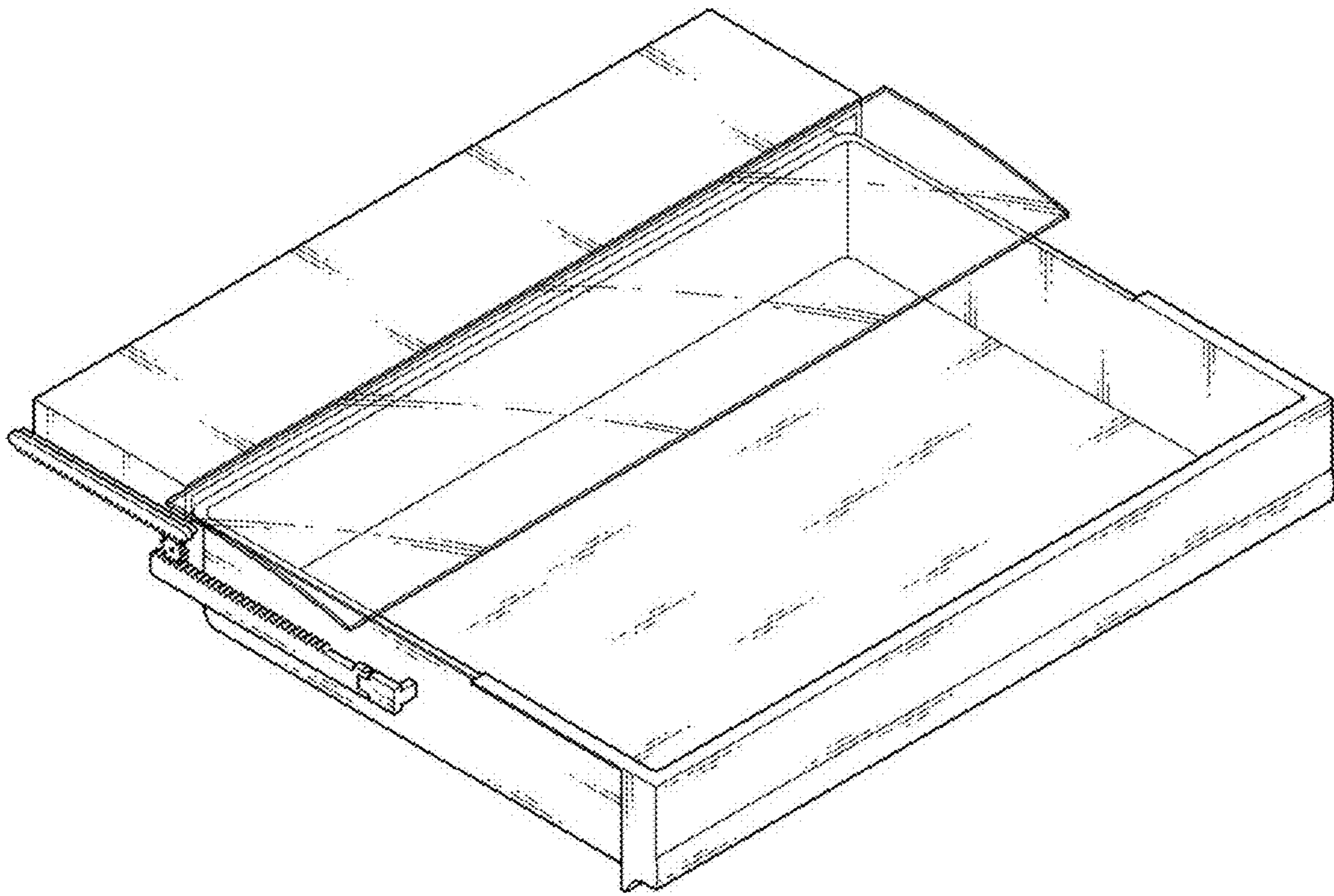
1.6



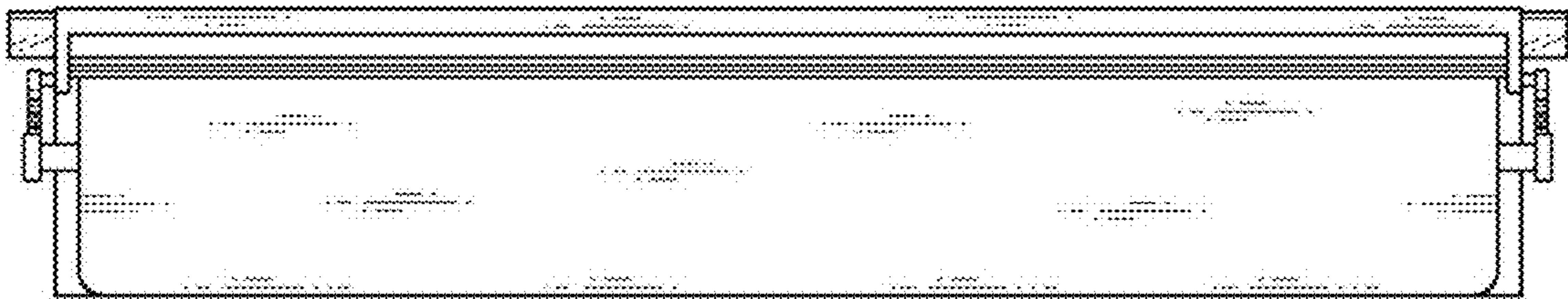
1.7

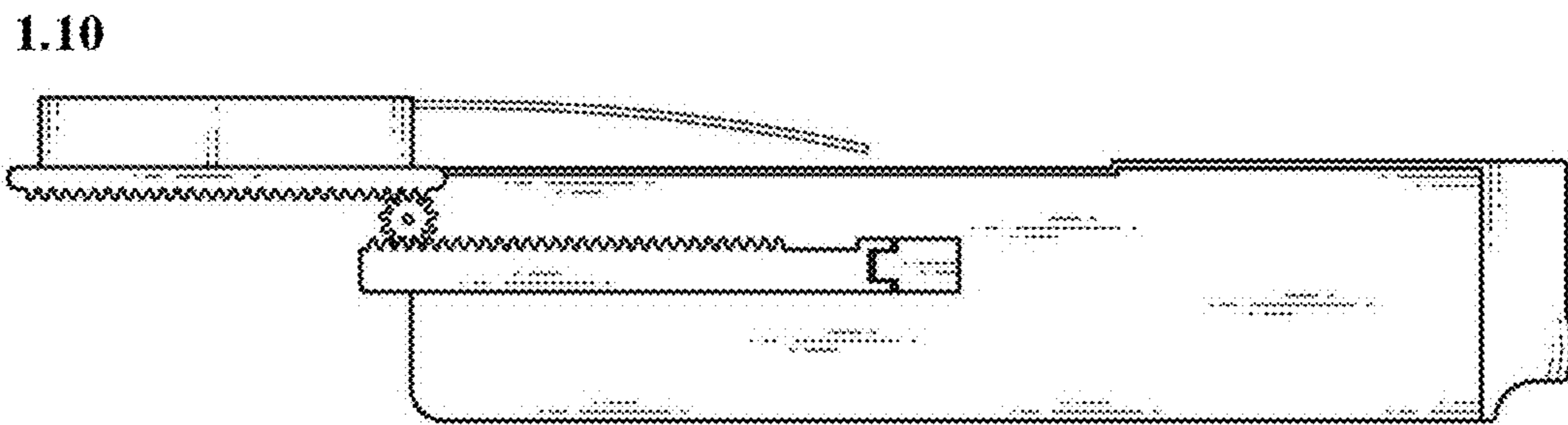


1.8



1.9





1.11

