



US00D802629S

(12) **United States Design Patent**
Tseng

(10) **Patent No.:** **US D802,629 S**

(45) **Date of Patent:** **** Nov. 14, 2017**

(54) **PISTON**

(71) Applicant: **CHUAN JIING ENTERPRISE CO., LTD.**, Taichung (TW)

(72) Inventor: **Tien-Tsai Tseng**, Taichung (TW)

(73) Assignee: **CHUAN JIING ENTERPRISE CO., LTD.**, Taichung (TW)

(**) Term: **15 Years**

(21) Appl. No.: **29/563,286**

(22) Filed: **May 3, 2016**

(51) **LOC (10) Cl.** **15-02**

(52) **U.S. Cl.**
USPC **D15/7**

(58) **Field of Classification Search**
USPC D15/7-9; D23/231, 232, 225; 417/60, 417/235, 265, 321, 355, 358, 363, 359, 417/410.1, 415-416, 405, 900, 269, 539; 60/408, 412; 184/26-37; 415/140-147; 123/495, 509; 137/565.34
CPC F02M 37/04; F02M 37/14; F04B 53/92; F04B 1/005; F04B 15/02
See application file for complete search history.

(56) **References Cited**

U.S. PATENT DOCUMENTS

- 3,711,223 A * 1/1973 Schaible F01L 23/00
417/342
- 4,258,612 A * 3/1981 Kuhlmann F04B 15/023
417/900

- D371,562 S * 7/1996 Rushfeldt D15/7
- D431,802 S * 10/2000 Sintorn D12/159
- D473,242 S * 4/2003 Shiina D15/9
- D515,590 S * 2/2006 Freitas D15/7
- D603,435 S * 11/2009 Walton D15/143
- D723,587 S * 3/2015 Park D15/7
- D730,406 S * 5/2015 Lee D15/5

* cited by examiner

Primary Examiner — Ralf Seifert

(57) **CLAIM**

I claim the ornamental design for piston, as shown and described.

DESCRIPTION

FIG. 1 is a perspective view of piston in accordance with the preferred embodiment of the present invention, showing my design;

FIG. 2 is a front view of the piston shown in FIG. 1;

FIG. 3 is a rear view of the piston shown in FIG. 1;

FIG. 4 is a left side view of the piston shown in FIG. 1;

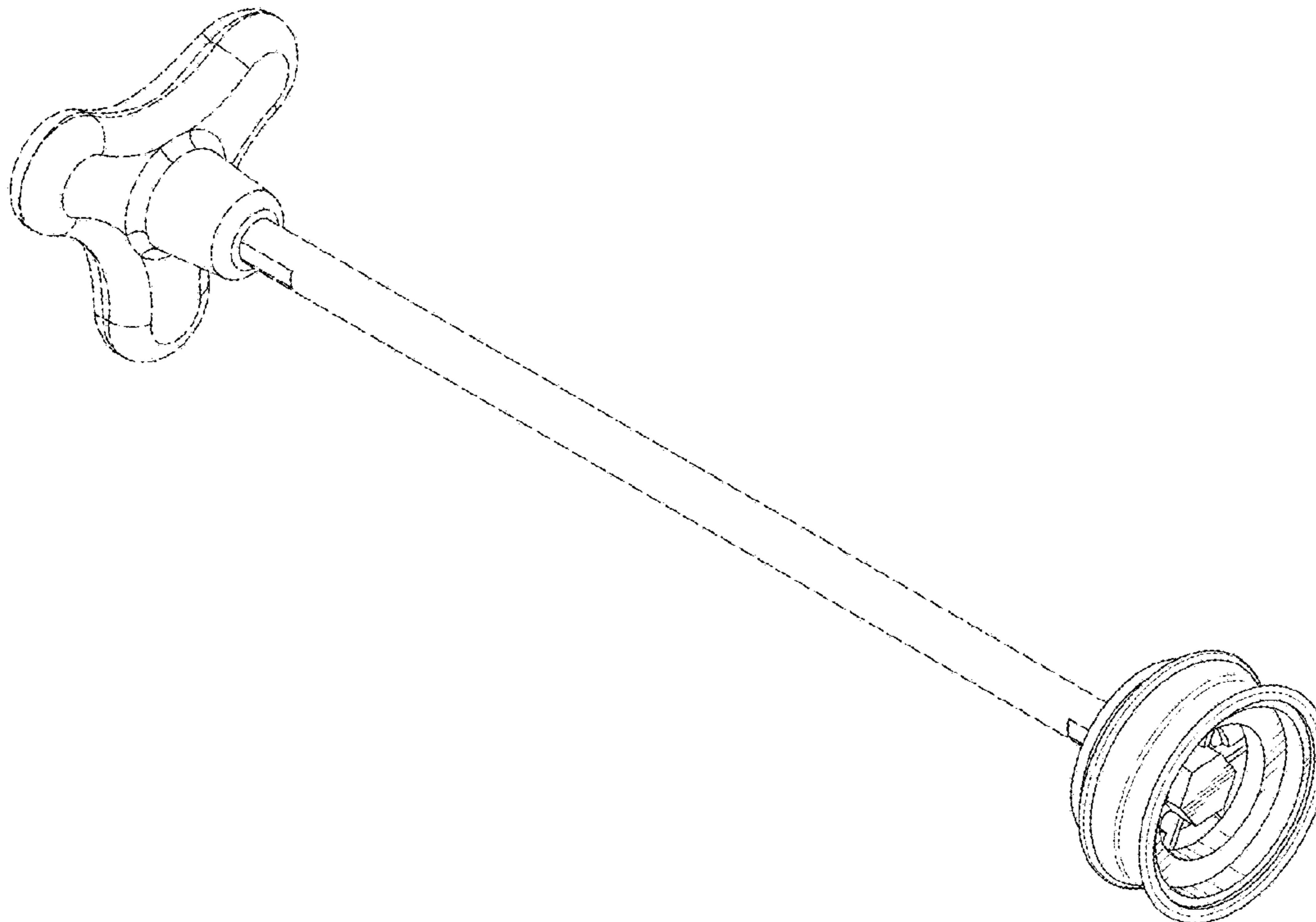
FIG. 5 is a right side view of the piston shown in FIG. 1;

FIG. 6 is a top view of the piston shown in FIG. 1; and

FIG. 7 is a bottom view of the piston shown in FIG. 1; and, FIG. 8 is perspective view of piston showing my new design in environmental use.

The broken lines shown represent unclaimed subject matter and form no part of the claimed design.

1 Claim, 8 Drawing Sheets



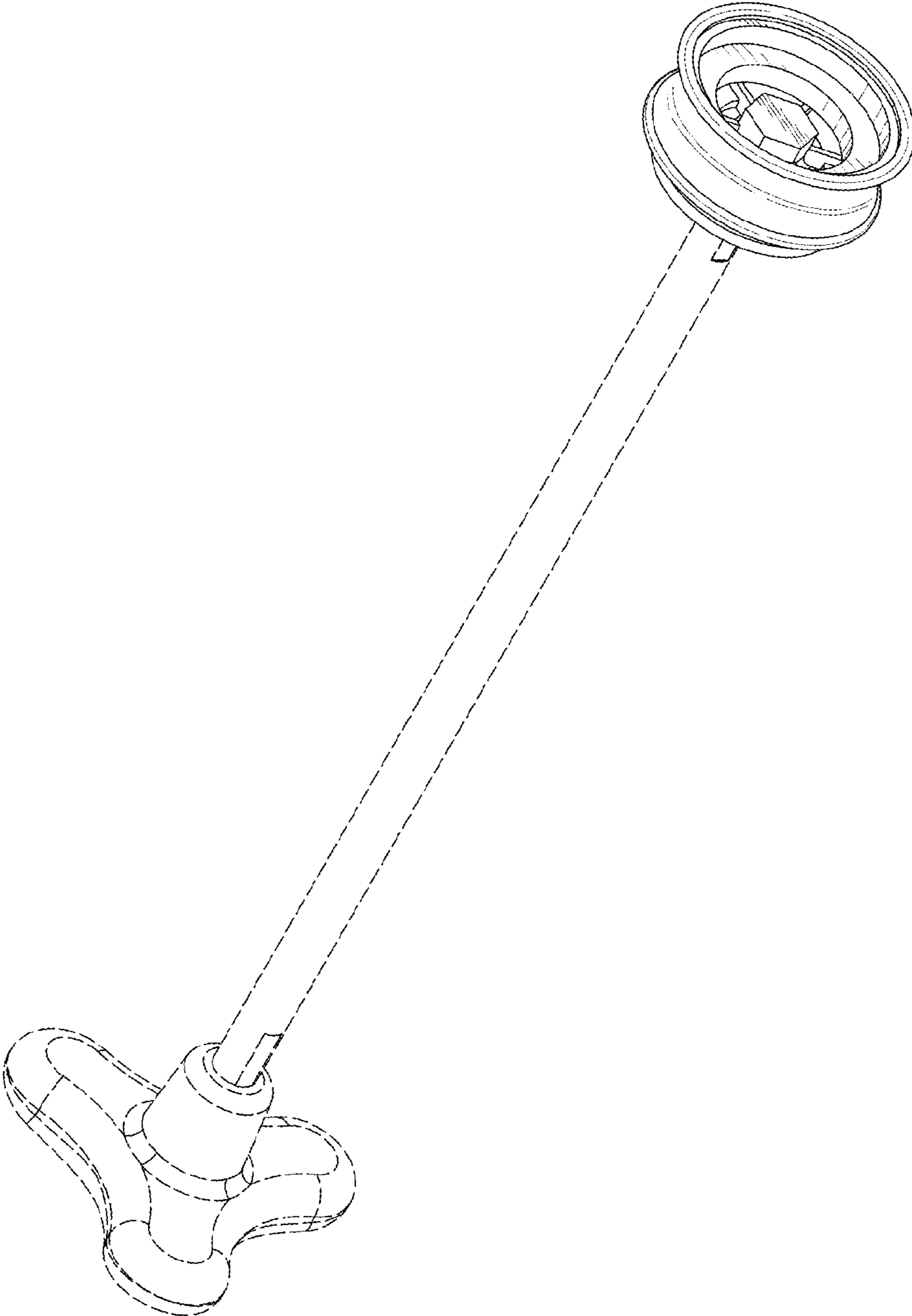


FIG.1

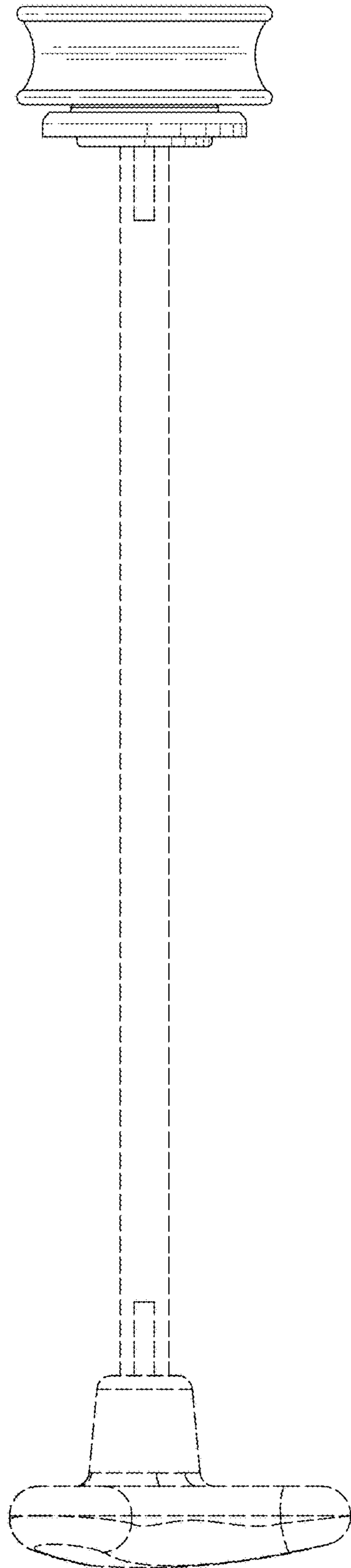


FIG.2

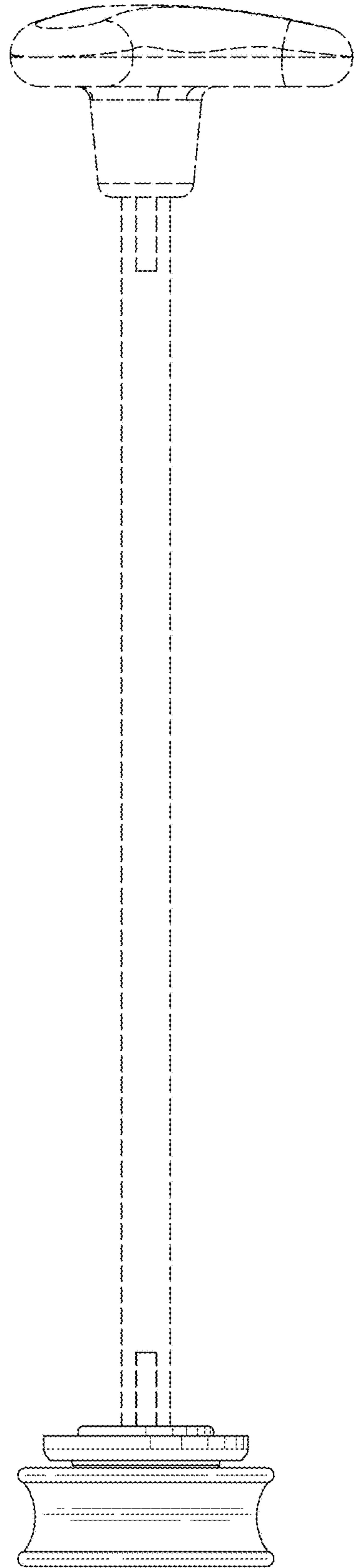


FIG. 3

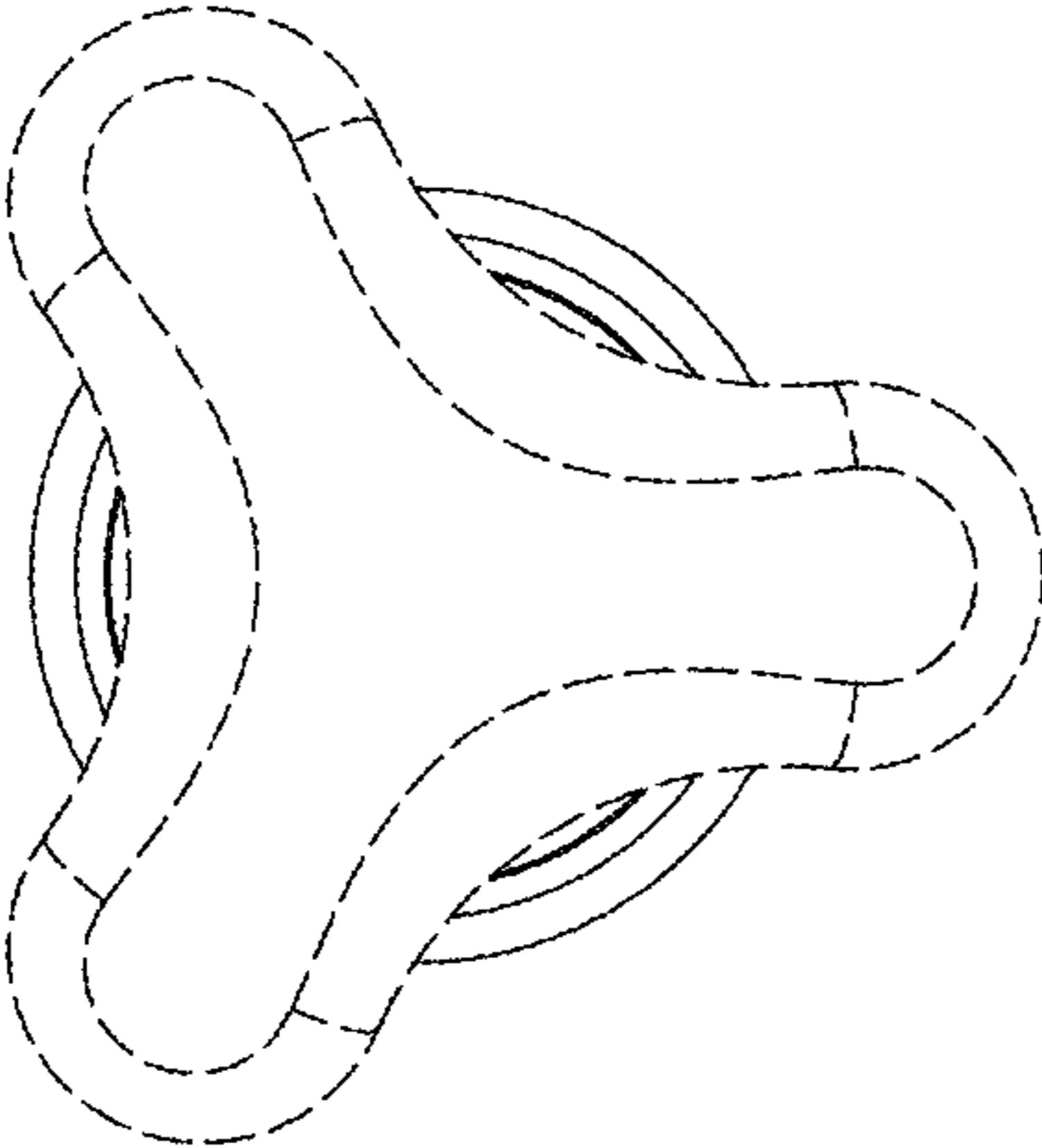


FIG.4

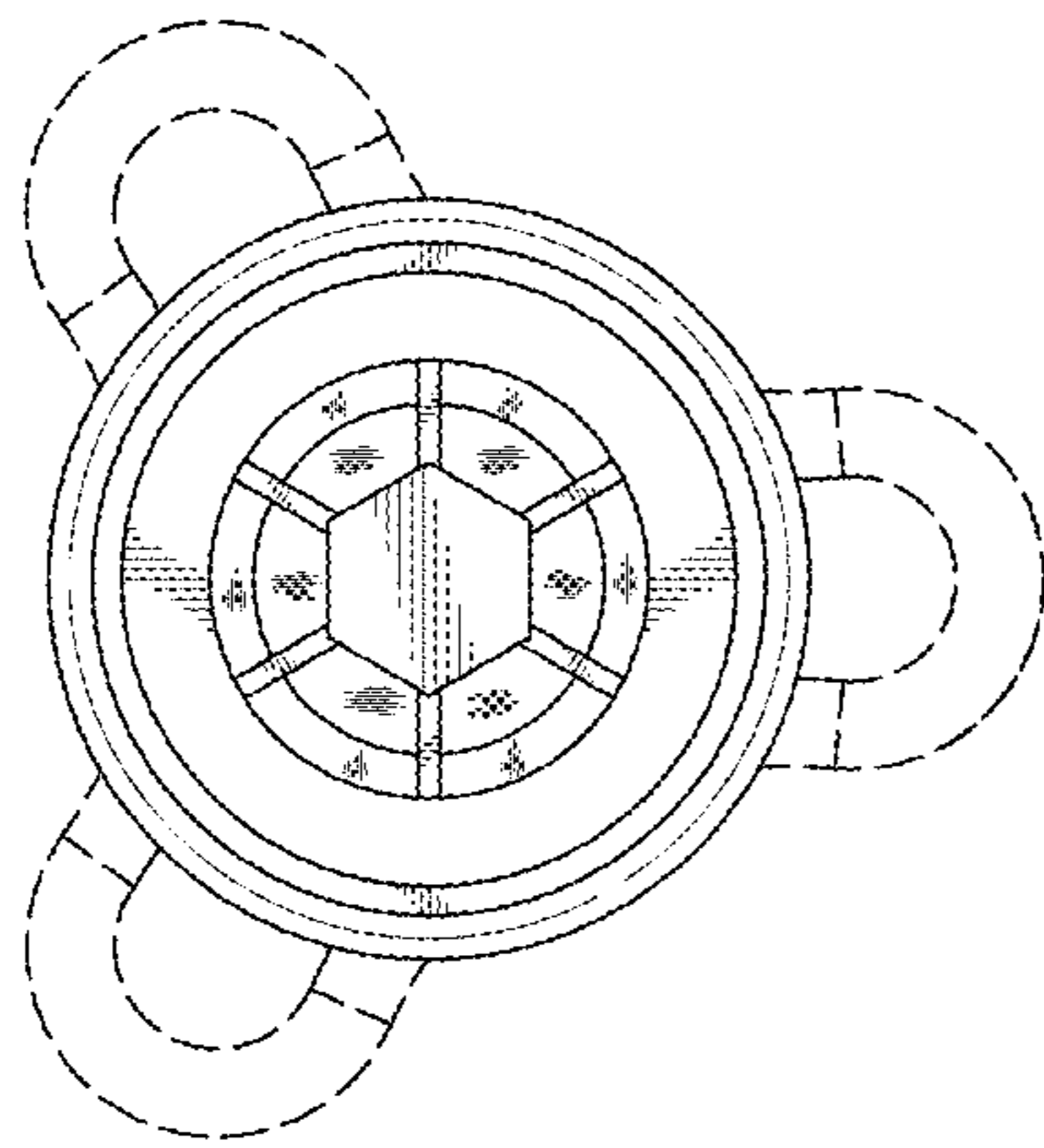


FIG. 5

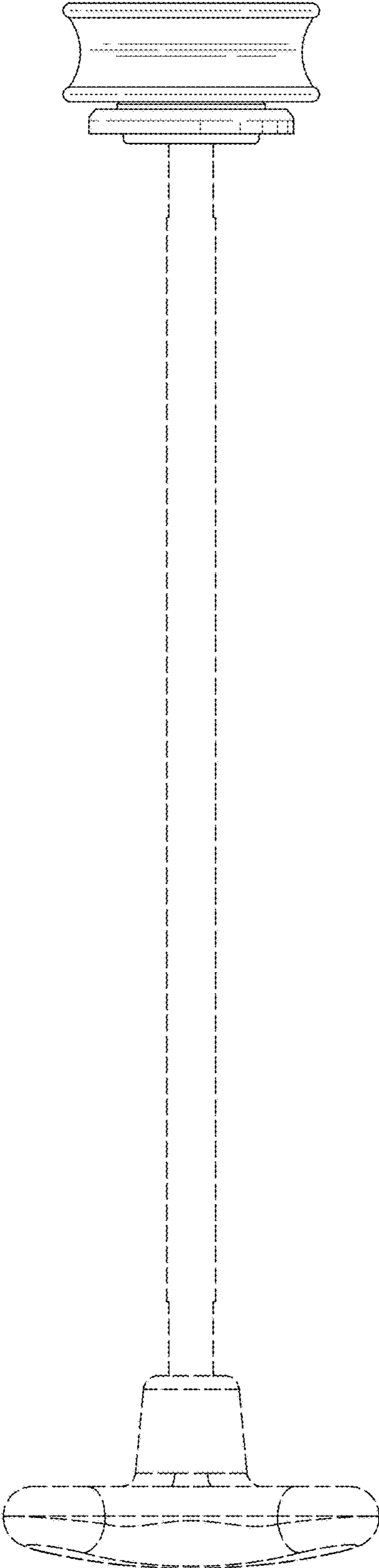


FIG.6

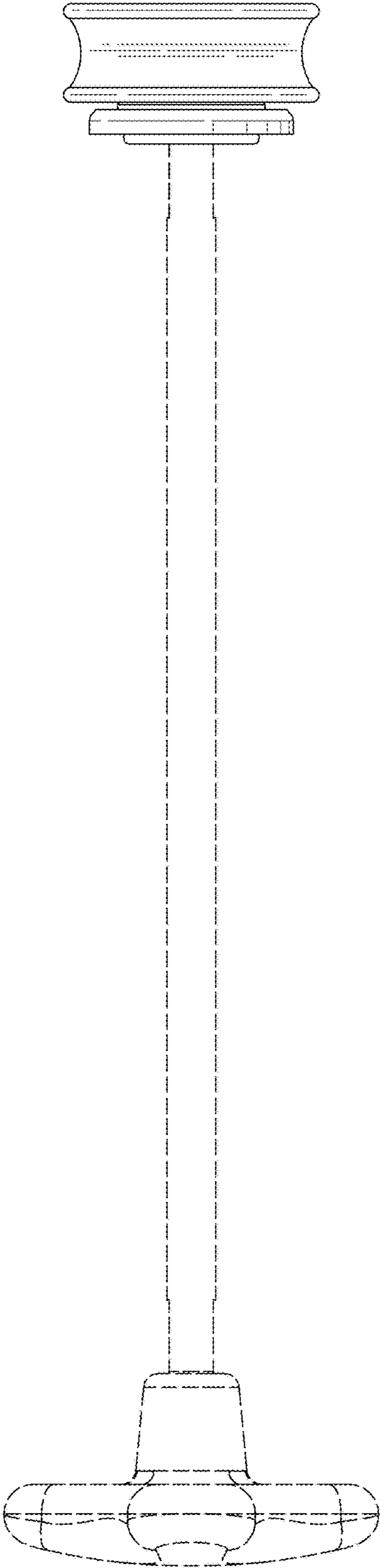


FIG.7

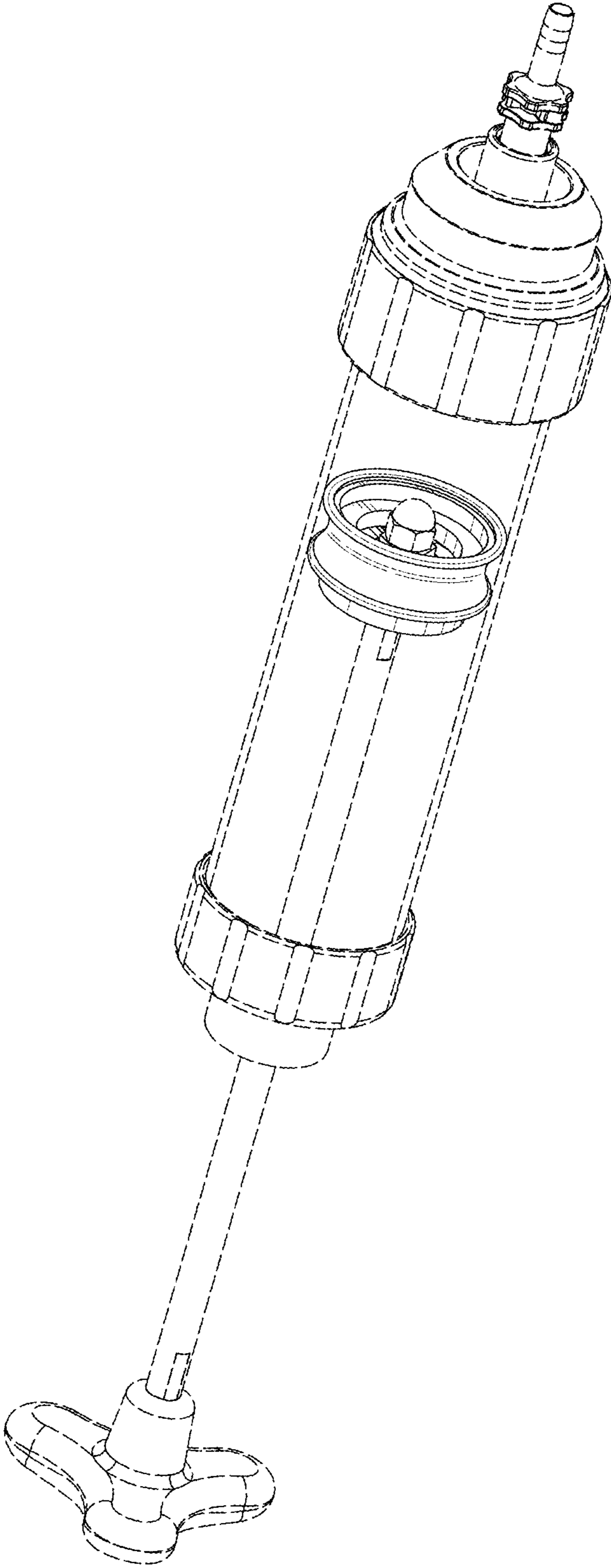


FIG.8