



US00D802628S

(12) **United States Design Patent** (10) **Patent No.:** **US D802,628 S**  
**Fischetto** (45) **Date of Patent:** **\*\* Nov. 14, 2017**

(54) **ENGINE MANIFOLD**  
(71) Applicant: **Rafael Fischetto**, Houston, TX (US)  
(72) Inventor: **Rafael Fischetto**, Houston, TX (US)  
(\*\*) Term: **15 Years**

D673,978 S 1/2013 Hsu et al.  
D673,979 S \* 1/2013 Finnican ..... D15/5  
D677,699 S \* 3/2013 Finnican ..... D15/5  
D679,288 S 4/2013 Grubisich  
D680,132 S \* 4/2013 Finnican ..... D15/5  
D737,862 S \* 9/2015 Finnican ..... D15/5  
2006/0254552 A1\* 11/2006 Brachos ..... F02M 35/10078  
123/184.46

(21) Appl. No.: **29/551,331**  
(22) Filed: **Jan. 12, 2016**  
(51) **LOC (10) Cl.** ..... **15-01**  
(52) **U.S. Cl.**  
USPC ..... **D15/5**

\* cited by examiner

*Primary Examiner* — T. Chase Nelson  
*Assistant Examiner* — Ania Aman  
(74) *Attorney, Agent, or Firm* — Andrew W. Chu; Craft  
Chu PLLC

(58) **Field of Classification Search**  
USPC ..... D15/5; D23/23; D12/194  
CPC ..... F02M 35/104; F02M 35/10052; F02M  
35/10078; F02M 35/112; F02M  
35/10085; F02M 35/10091; F02M 31/00;  
F02M 31/04; F02M 31/042; F02M  
31/045; F02M 31/047; F02M 35/116;  
F02M 31/093; F02M 35/10144; F02M  
35/162; F02M 35/10039; F02M  
35/10347; F02M 35/10334; F02M  
35/10321; F02M 35/10098; F02M  
35/10072; Y02T 10/146; F02B 37/16;  
F23D 3/00; F23D 3/16  
See application file for complete search history.

(57) **CLAIM**

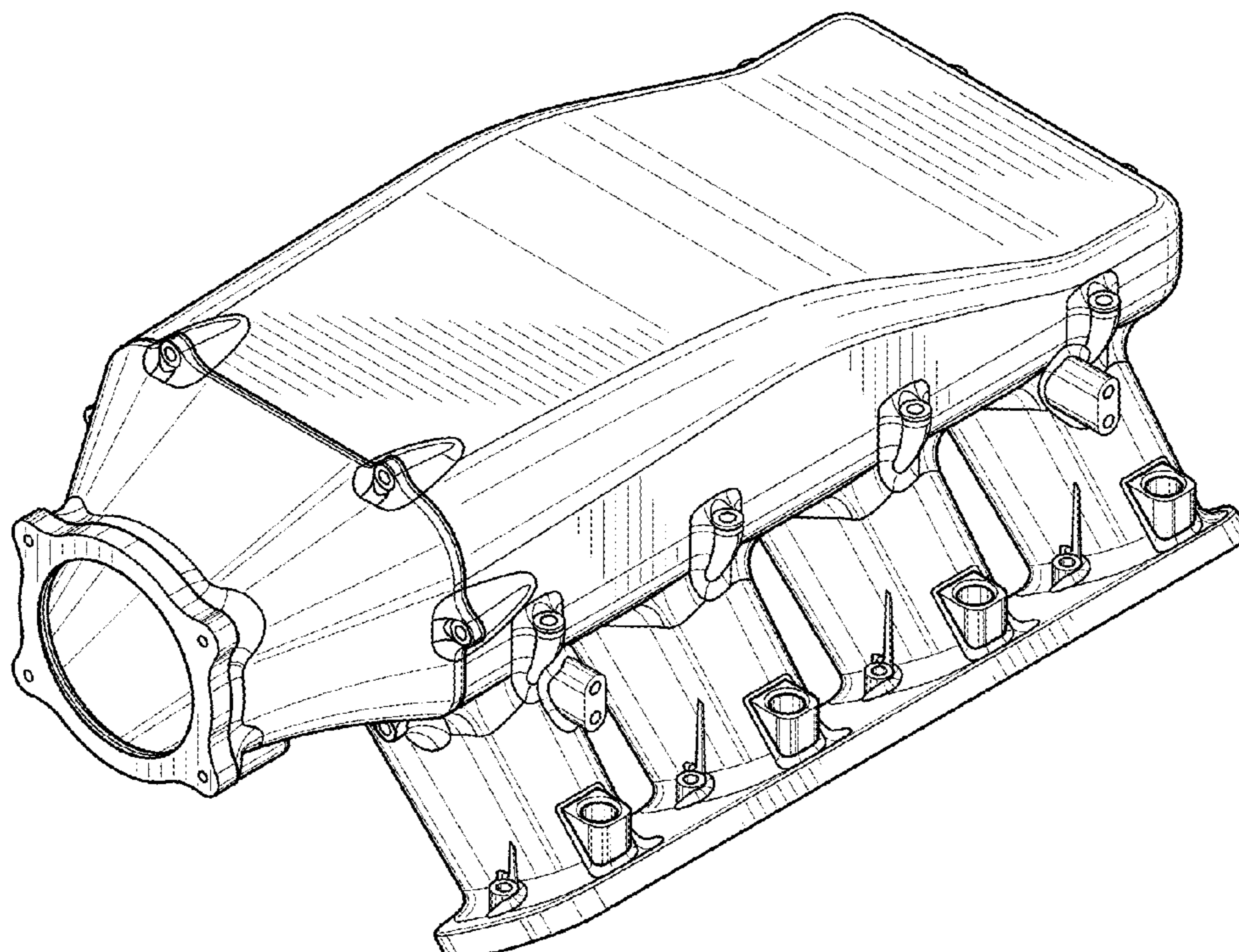
The ornamental design for an engine manifold, as shown and described.

**DESCRIPTION**

FIG. 1 is an upper perspective view of the engine manifold showing my design.  
FIG. 2 is a side elevation view thereof;  
FIG. 3 is an opposite side elevation view thereof;  
FIG. 4 is an end elevation view thereof;  
FIG. 5 is opposite end elevation view thereof;  
FIG. 6 is a top plan view thereof;  
FIG. 7 is a bottom plan view thereof; and,  
FIG. 8 is a bottom perspective view thereof.  
The broken lines, showing parts of the drawings, are included for the purpose of illustrating environment and forms no part of the claimed design.

(56) **References Cited**  
U.S. PATENT DOCUMENTS  
6,216,656 B1 \* 4/2001 Hada ..... F02M 35/10039  
123/184.34  
D580,457 S 11/2008 Bender

**1 Claim, 4 Drawing Sheets**



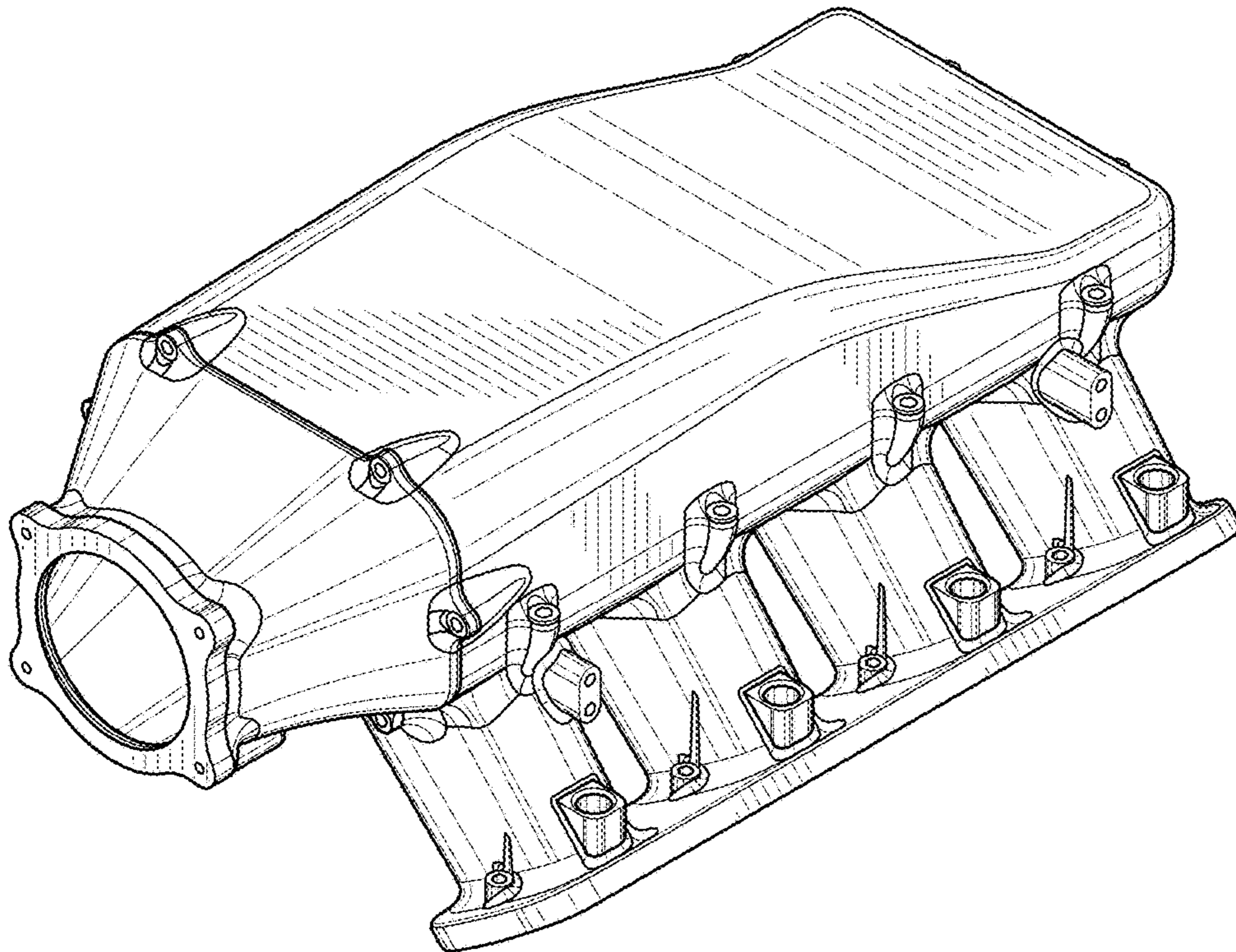


FIG. 1

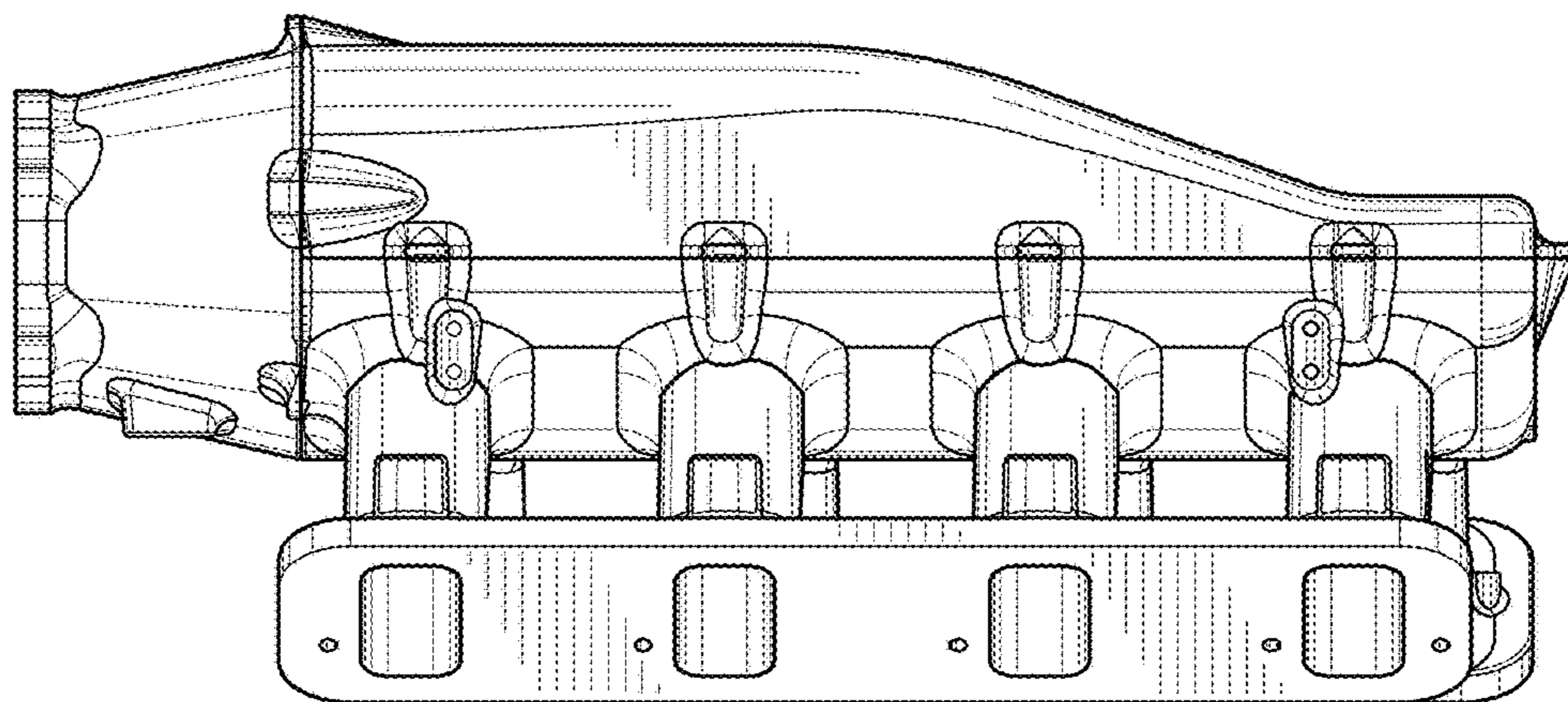


FIG. 2

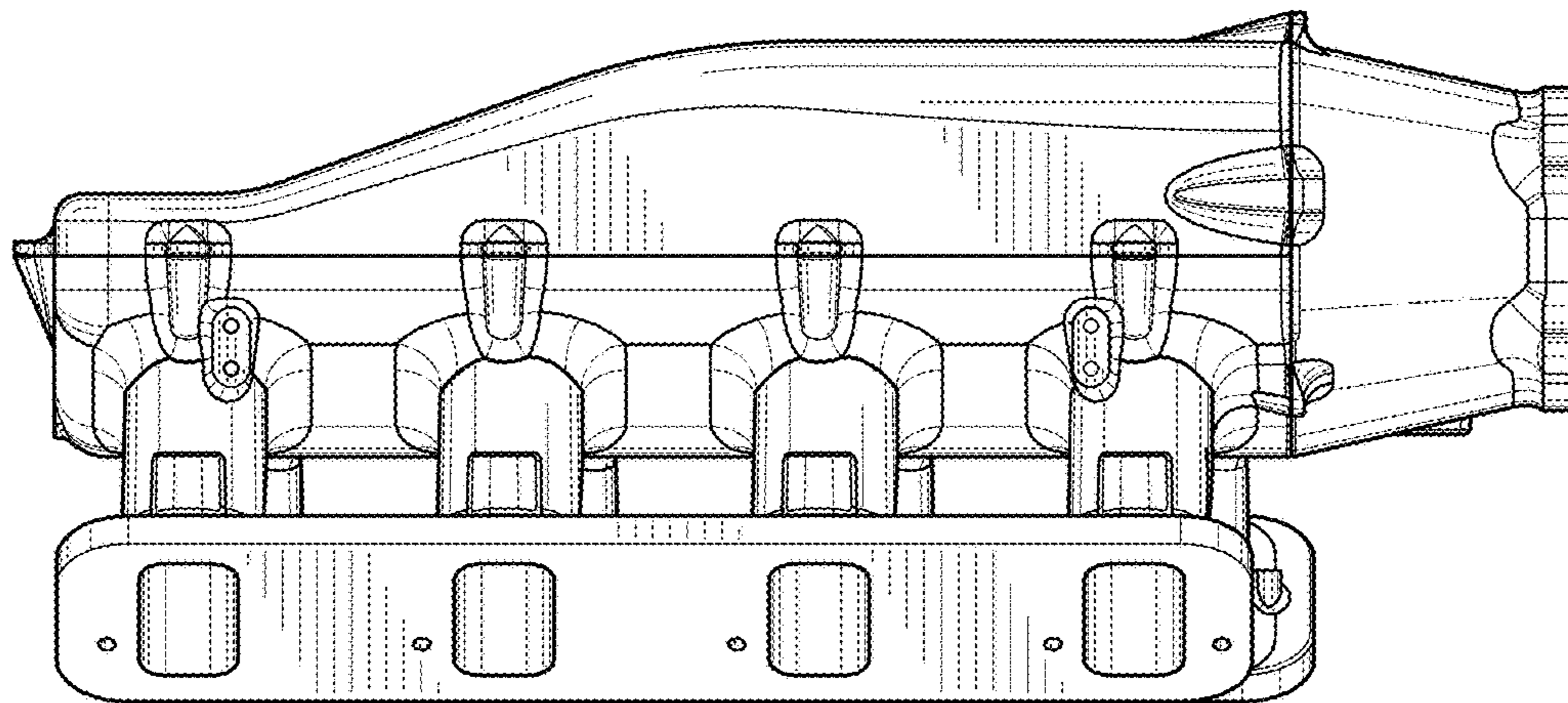


FIG. 3

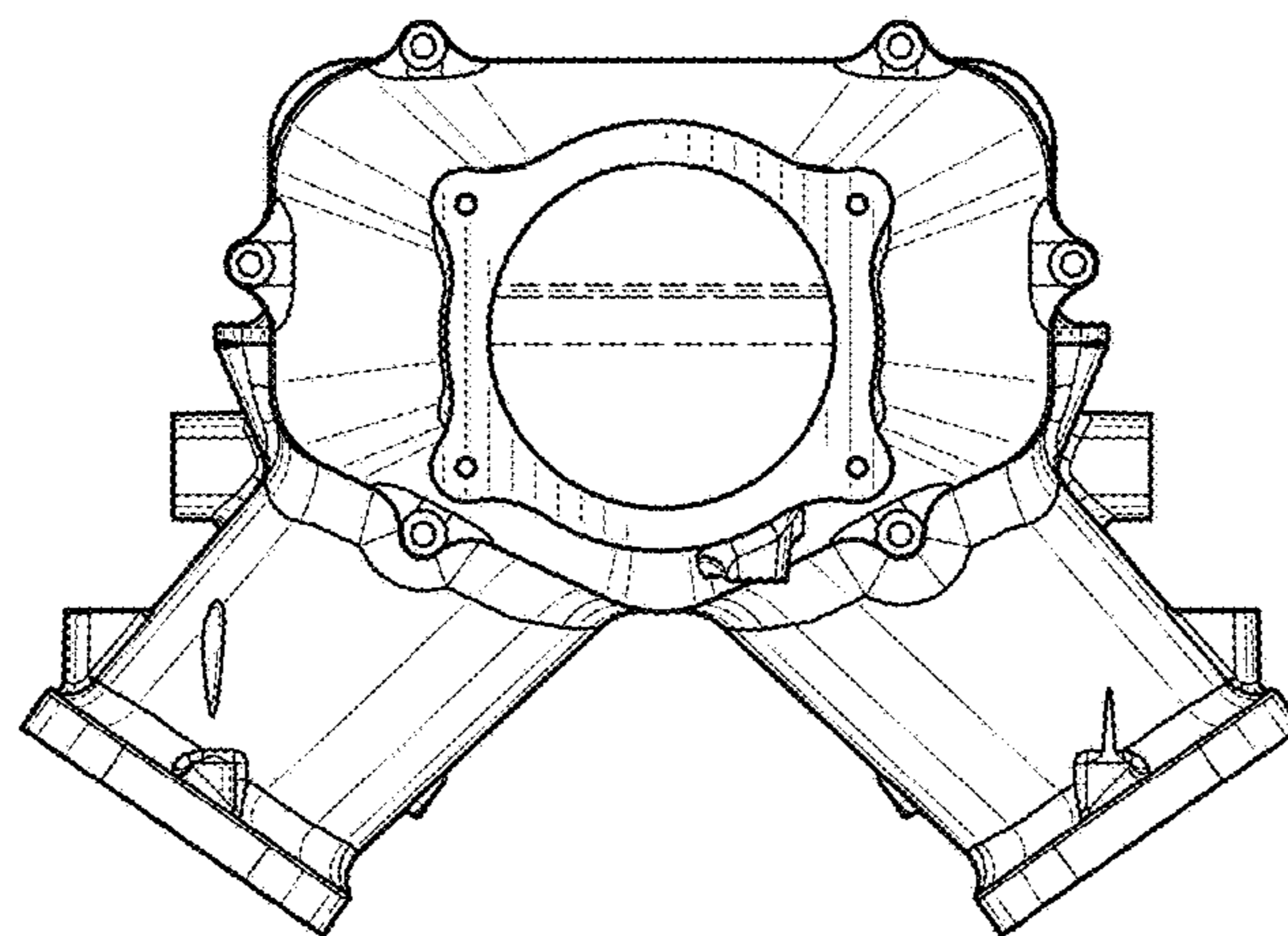


FIG. 4

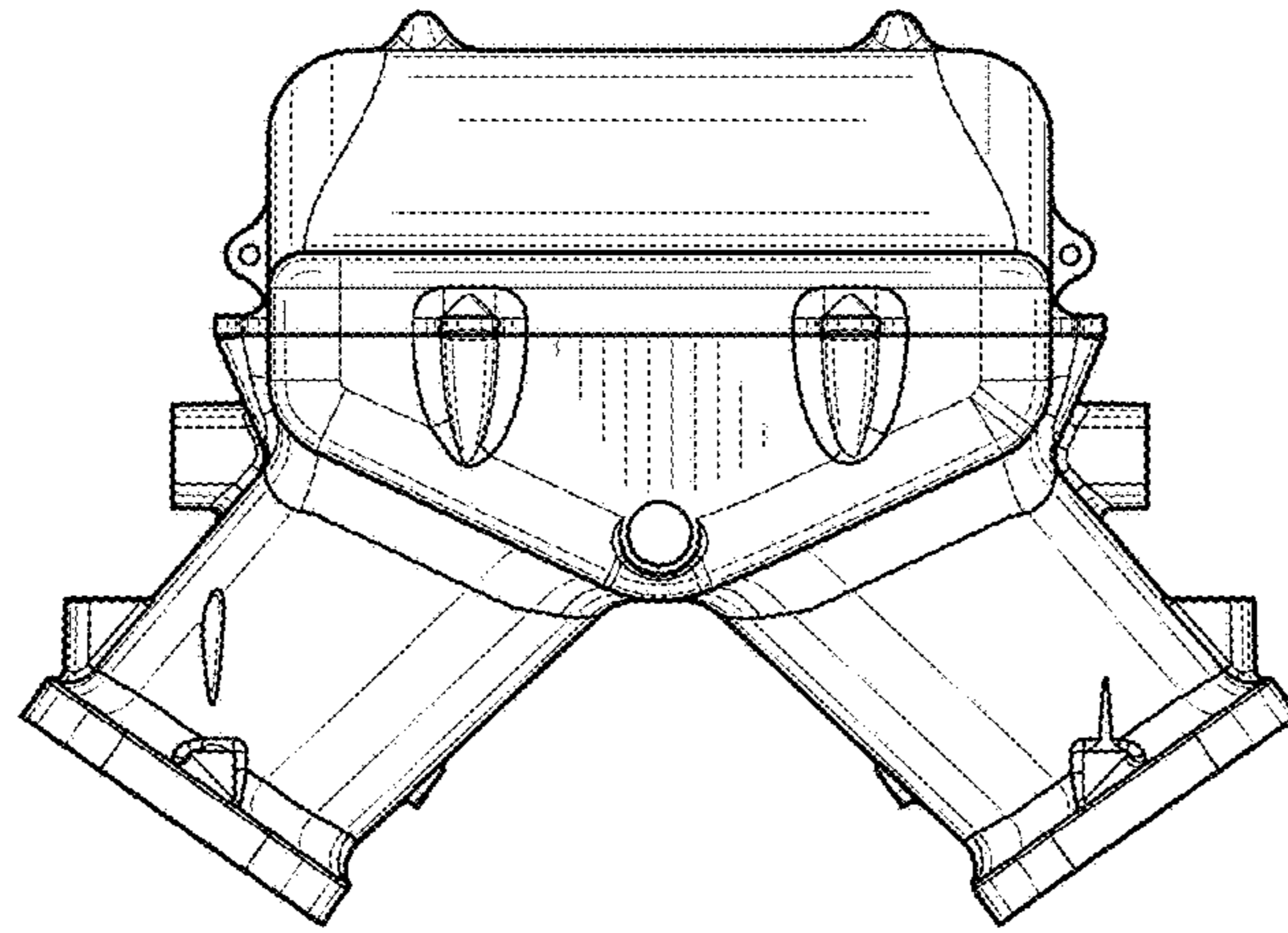


FIG. 5

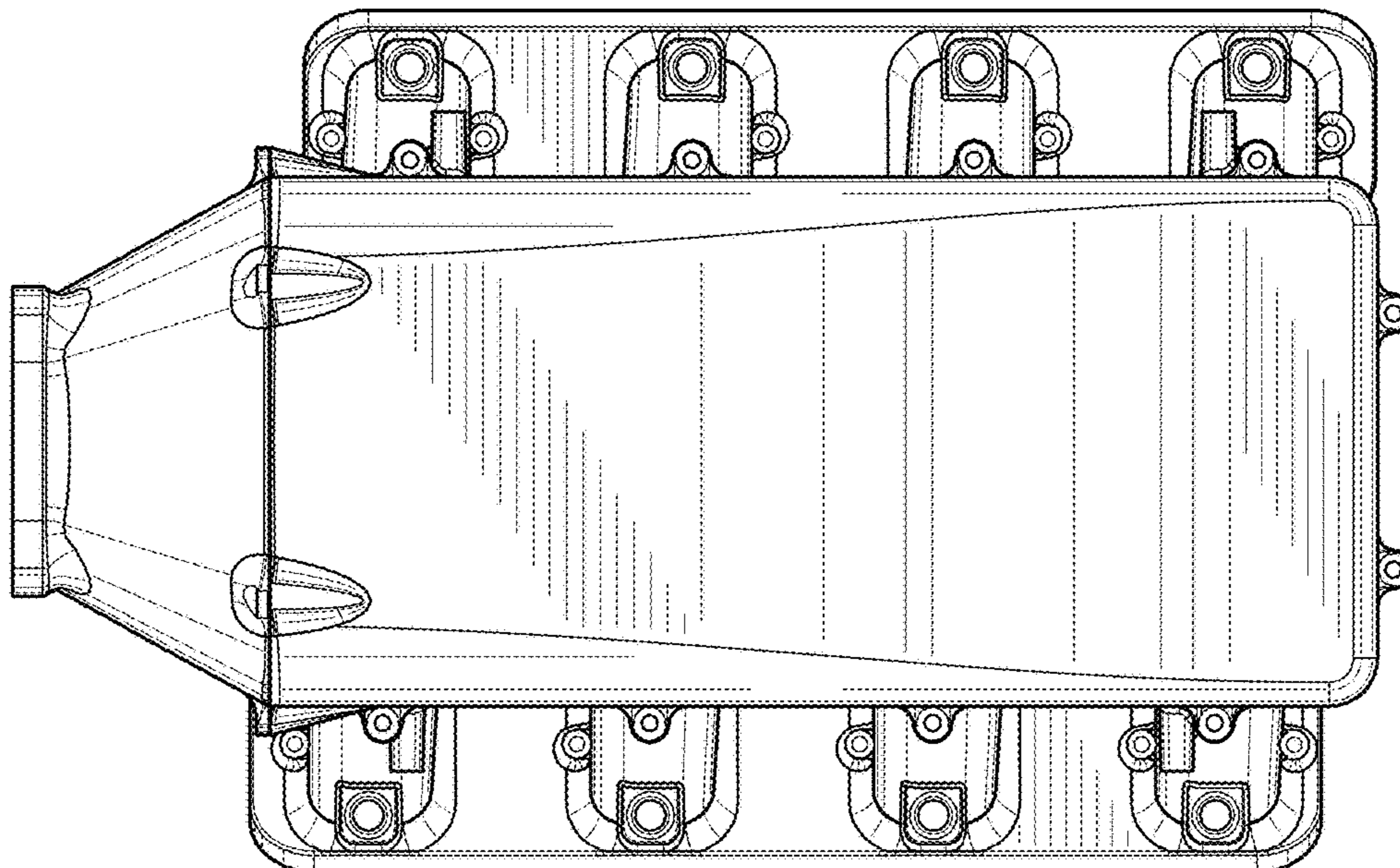


FIG. 6

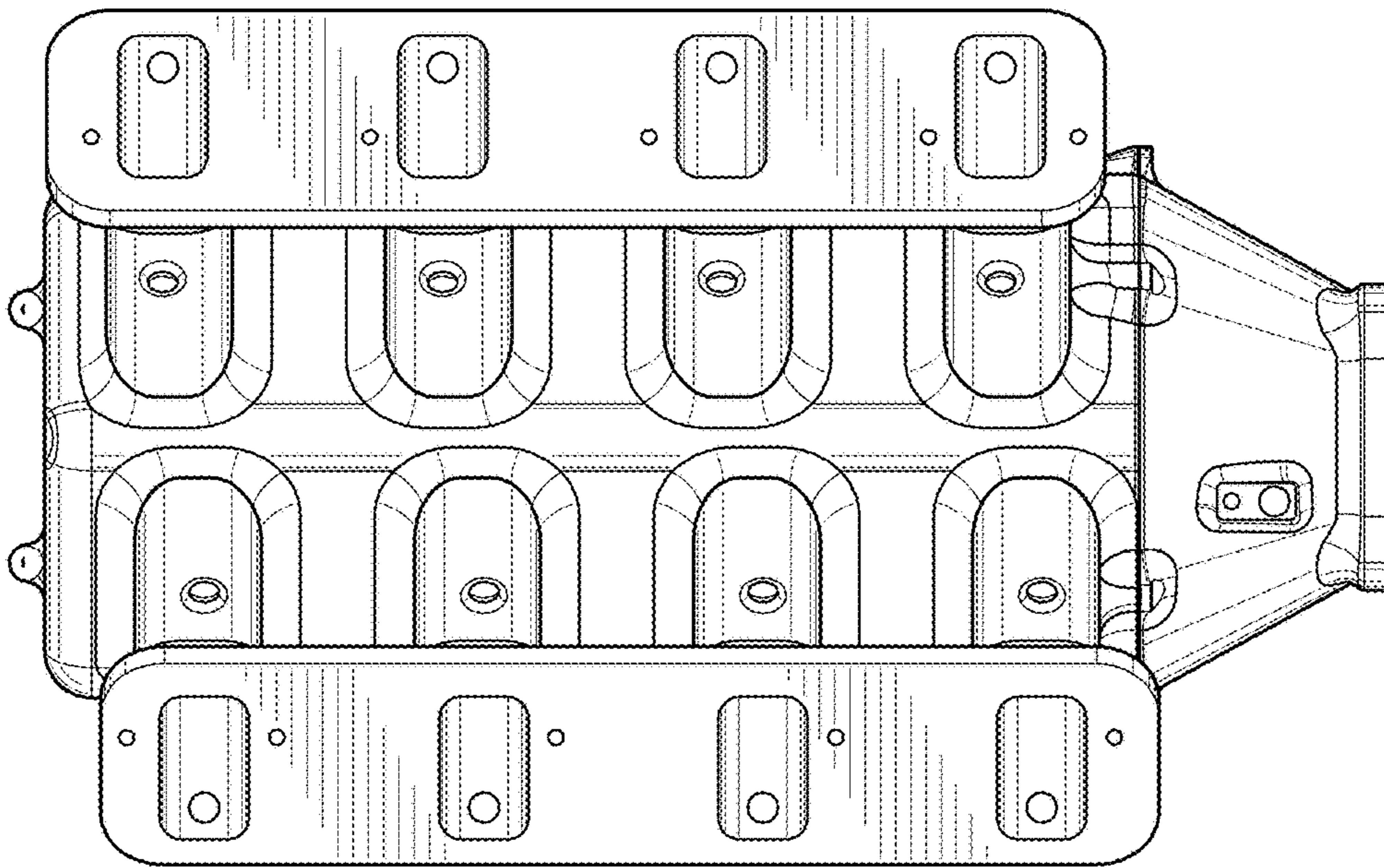


FIG. 7

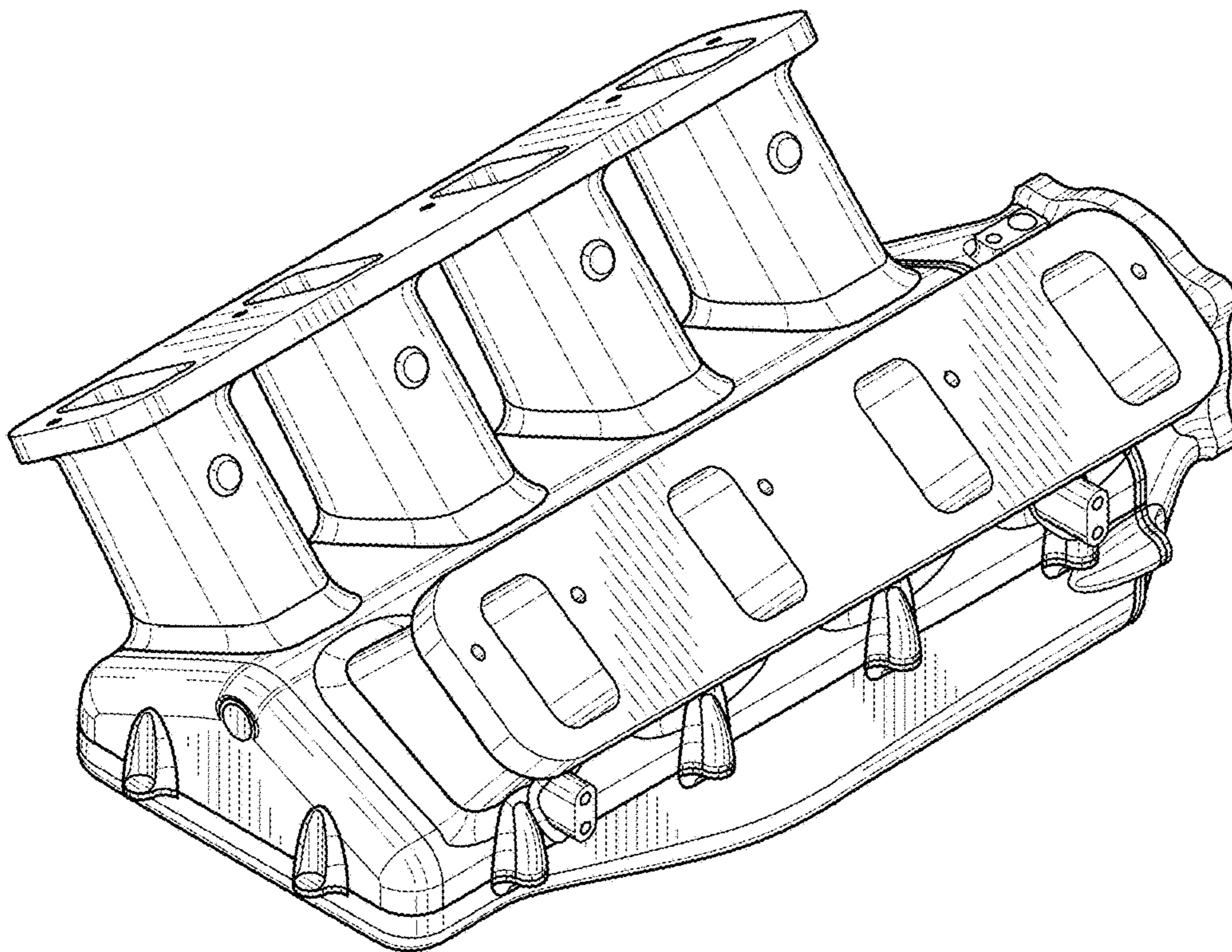


FIG. 8