



US00D802627S

(12) **United States Design Patent** (10) **Patent No.:** **US D802,627 S**
Mangum et al. (45) **Date of Patent:** **** Nov. 14, 2017**

(54) **MEDIA STREAMING DEVICE**

(56) **References Cited**

(71) Applicant: **GOOGLE INC.**, Mountain View, CA (US)

U.S. PATENT DOCUMENTS

(72) Inventors: **Kristen Mangum**, San Mateo, CA (US); **Michael Jon Sundermeyer**, Palo Alto, CA (US); **Micah Thomas Collins**, Mountain View, CA (US); **Kyle Nathen Swen**, San Carlos, CA (US); **David Whetstone**, San Francisco, CA (US); **Sean Missal**, San Francisco, CA (US)

7,277,272	B2 *	10/2007	Hsiung	G11B 17/051 361/679.01
D578,546	S *	10/2008	Fullerton	D14/496
9,131,260	B2 *	9/2015	Klarke	H04N 21/4221
9,286,854	B2 *	3/2016	Klarke	G06F 1/263
9,510,035	B2 *	11/2016	Rao	H04N 7/17318
D776,162	S *	1/2017	Beck	D14/203.6
9,560,421	B2 *	1/2017	Lim	H04N 21/631
D781,919	S *	3/2017	Beck	D14/496
D788,820	S *	6/2017	Beck	D14/203.6
9,680,902	B2 *	6/2017	Yu	H04L 65/607

(73) Assignee: **Google LLC**, Mountain View, CA (US)

* cited by examiner

(**) Term: **15 Years**

Primary Examiner — Prabhakar G Deshmukh
(74) *Attorney, Agent, or Firm* — Brake Hughes Bellermann LLP

(21) Appl. No.: **29/579,871**

(22) Filed: **Oct. 4, 2016**

(57) **CLAIM**

(51) **LOC (10) Cl.** **14-03**

The ornamental design for a media streaming device, as shown and described.

(52) **U.S. Cl.**

DESCRIPTION

USPC **D14/496**

(58) **Field of Classification Search**

USPC D14/432, 434, 447, 357, 299, 496, D14/203.1–203.8, 149, 155, 157, 188, D14/209.1, 217; D21/324, 328, 332, 333; 361/600, 679–686; 320/114, 115; 345/156–161, 905, 901; 439/529, 534, 439/929; 455/556, 556.2, 557; 348/14.01–14.1, 211.12, 211.13; 386/235, 200, 239; 715/751, 753; 725/143, 151, 153, 135; 709/204, 211, 709/217

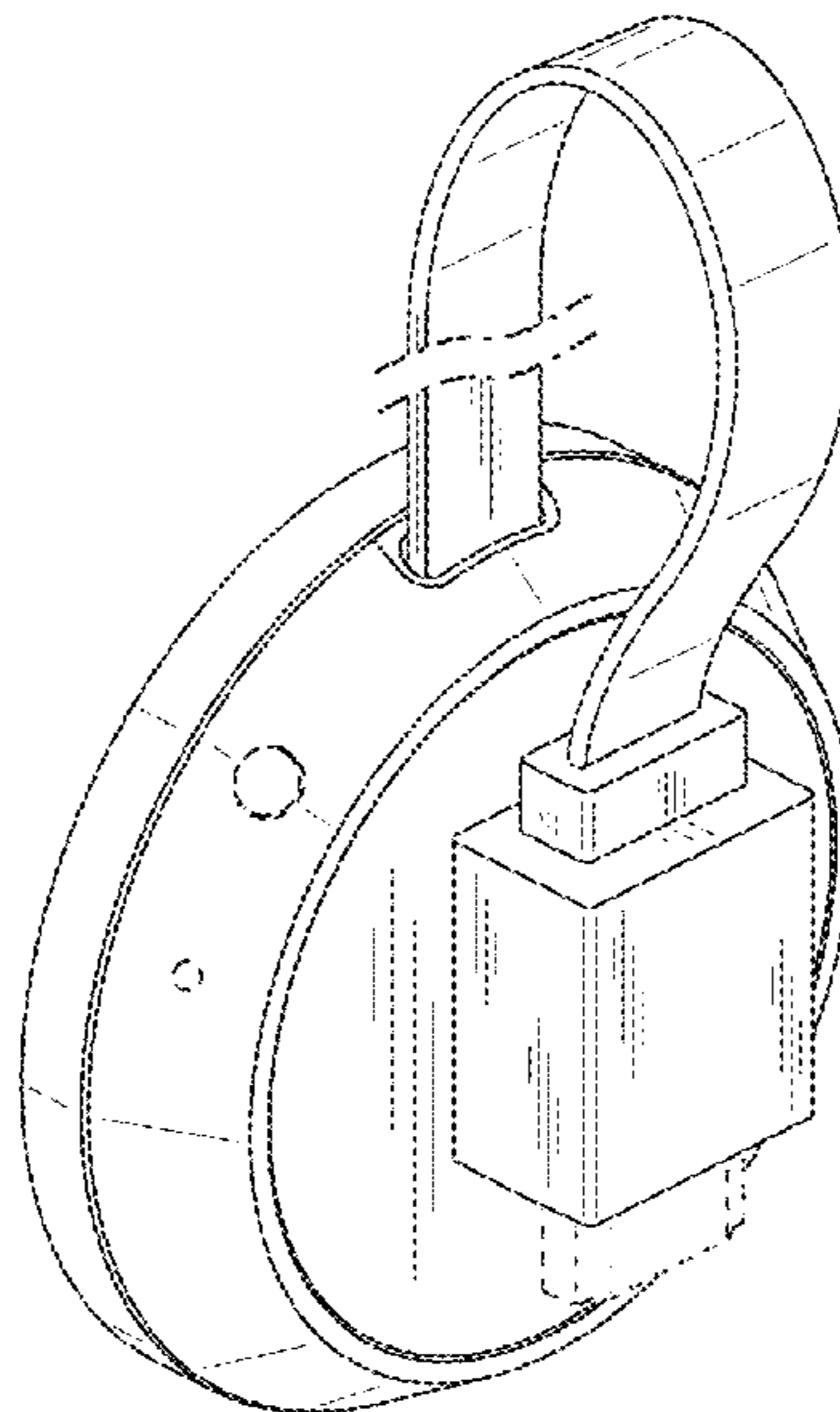
FIG. 1 is a front perspective view of a media streaming device showing our new design; FIG. 2 is a top plan view thereof; FIG. 3 is a bottom plan view thereof; FIG. 4 is a left side elevational view thereof; FIG. 5 is a right side elevational view thereof; FIG. 6 is a front elevational view thereof; and, FIG. 7 is a rear elevational view thereof.

CPC G06F 1/16; G06F 5/00; G06F 3/00; H04N 5/225; H04N 5/40; G05F 3/048

The broken lines illustrate unclaimed portions and form no part of the claimed design. The portion broken away shown in broken lines form no part of the claimed design.

See application file for complete search history.

1 Claim, 7 Drawing Sheets



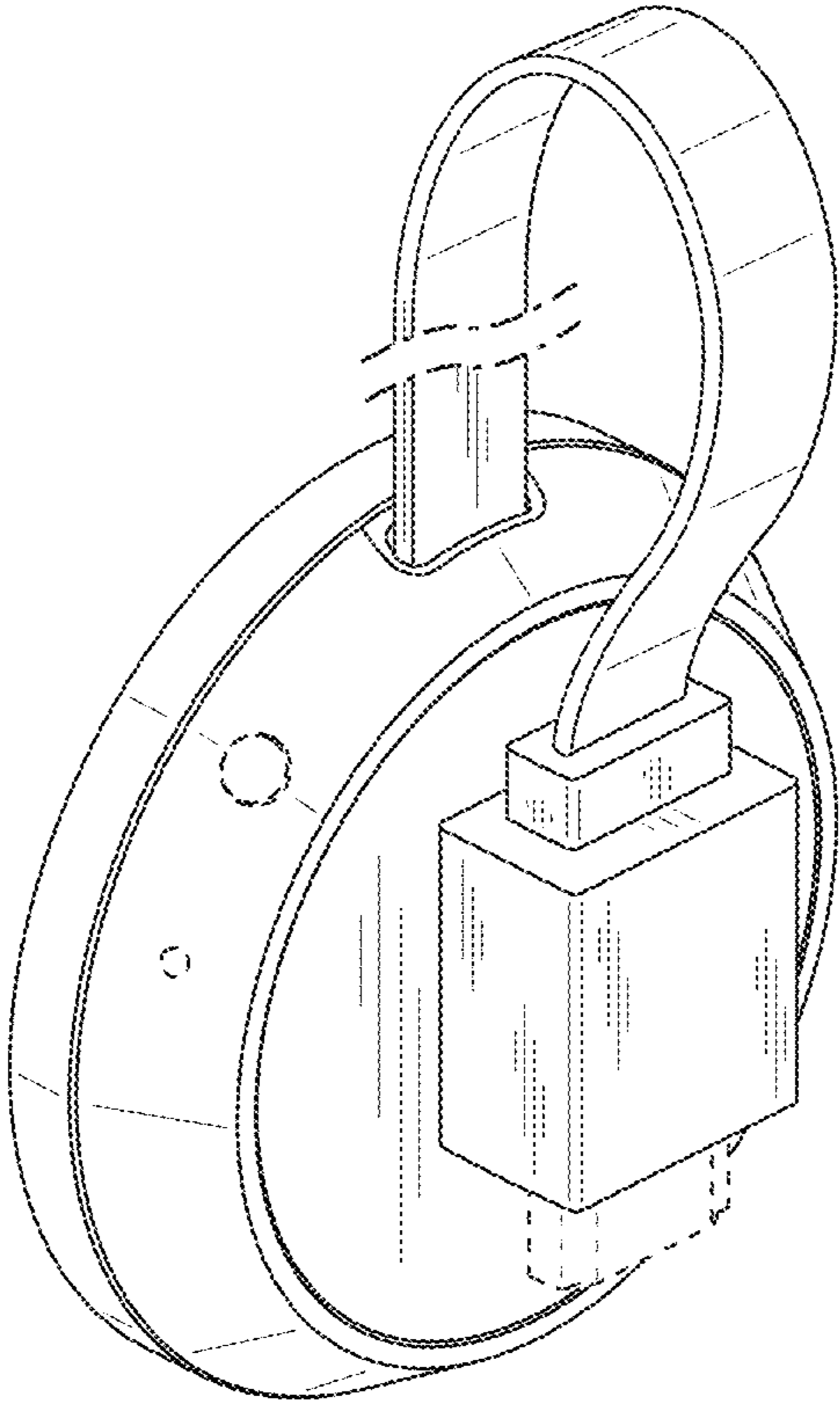


FIG. 1

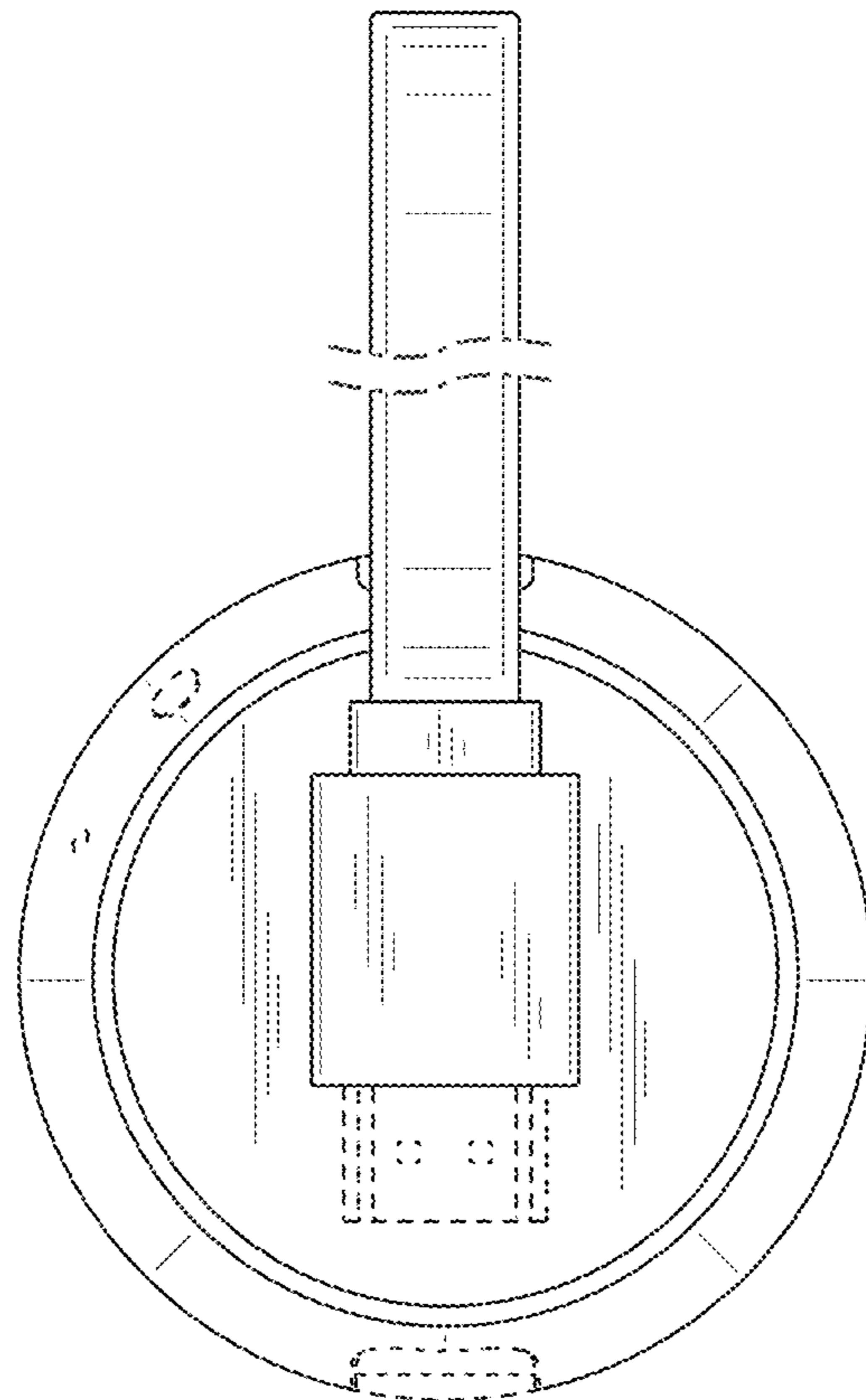


FIG. 2

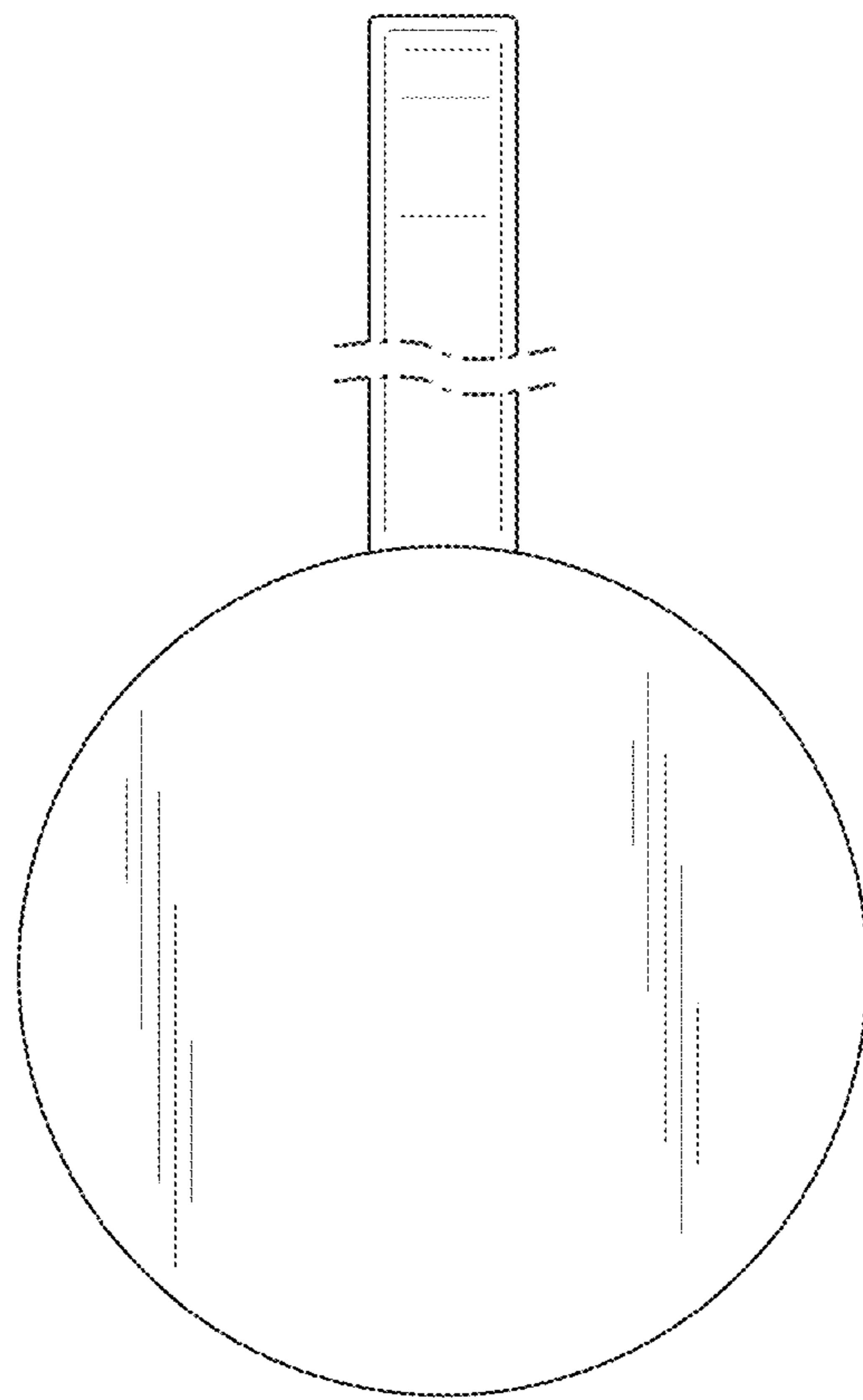


FIG. 3

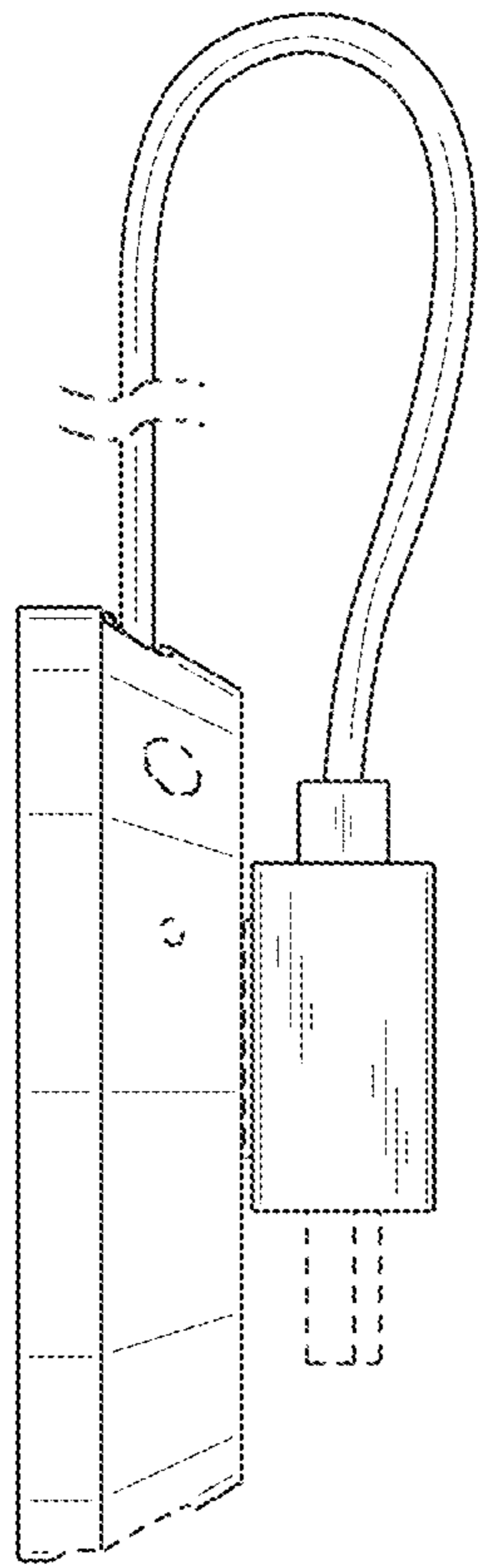


FIG. 4

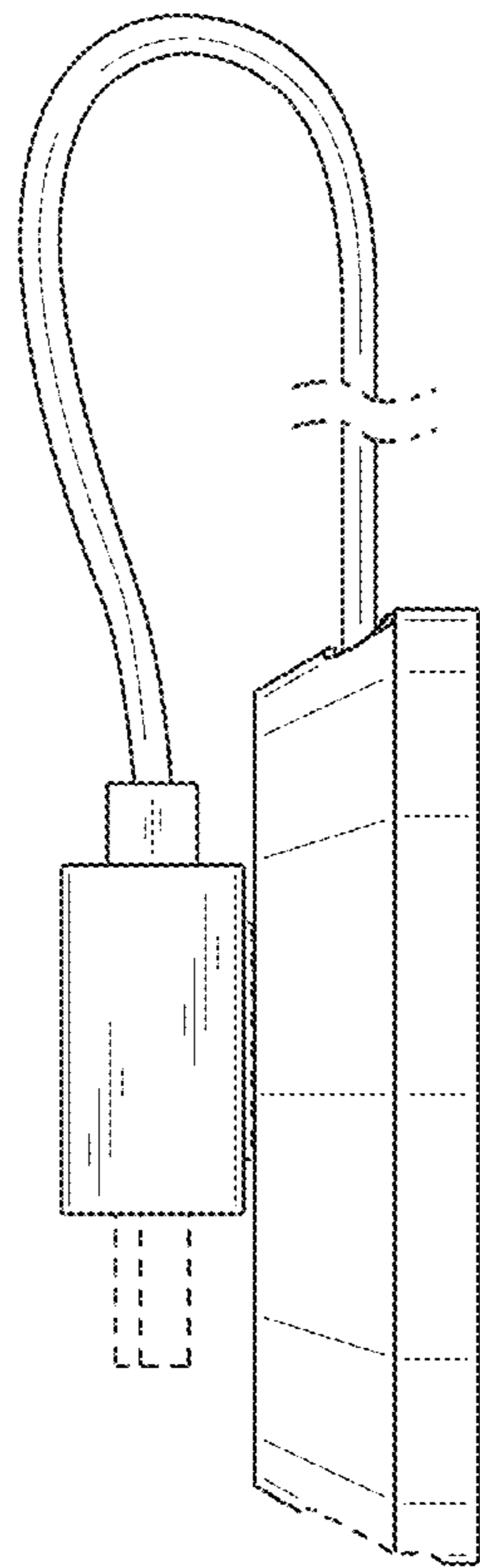


FIG. 5

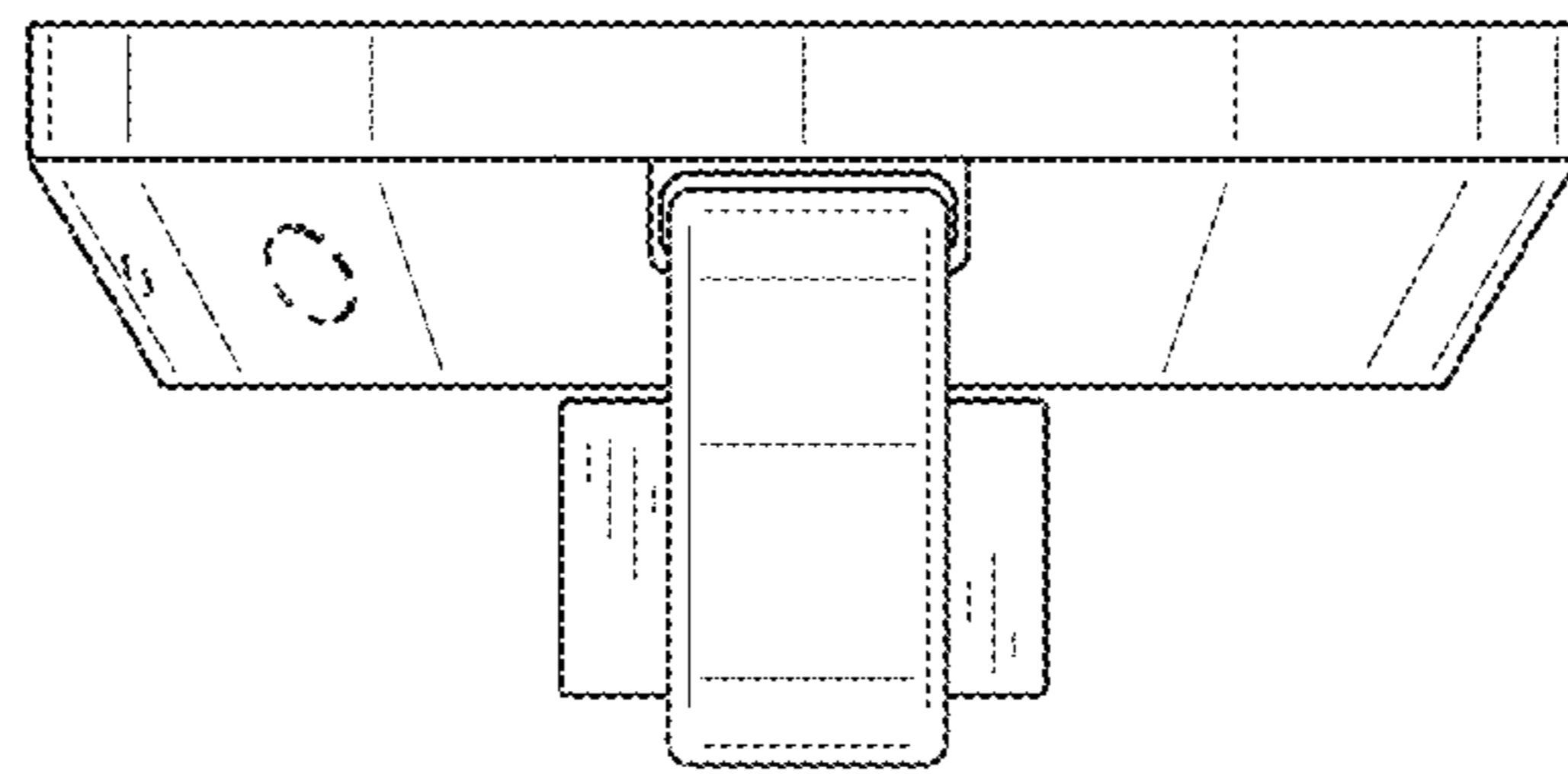


FIG. 6

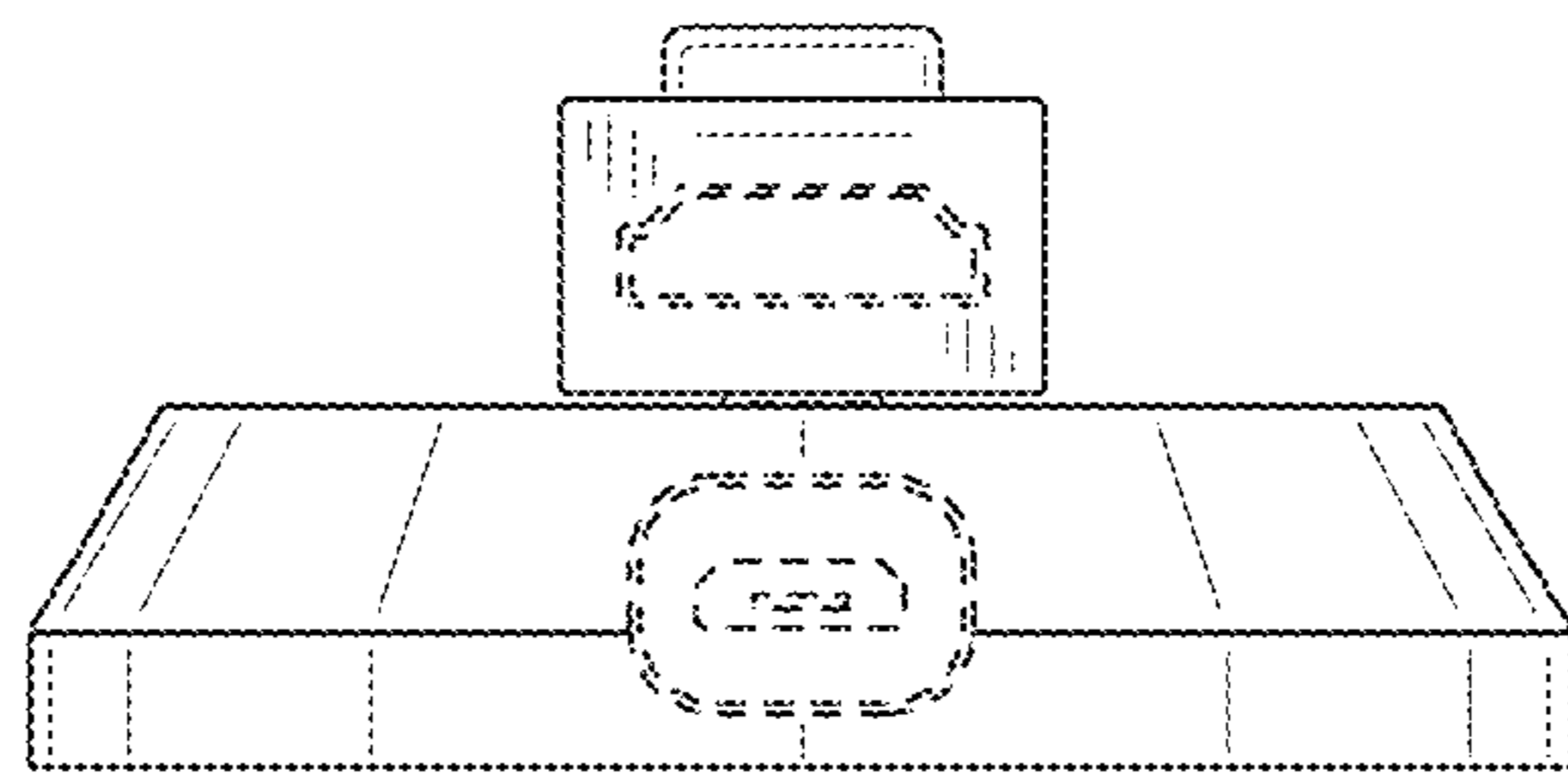


FIG. 7