



US00D802626S

(12) **United States Design Patent**
Huang

(10) **Patent No.:** **US D802,626 S**

(45) **Date of Patent:** **** Nov. 14, 2017**

(54) **SOUND PLAYER**

(71) Applicant: **Happy Island Tech Co., Ltd**, Taipei (TW)

(72) Inventor: **Chun-Ying Huang**, Taipei (TW)

(73) Assignee: **Happy Island Tech Co., Ltd**, Taipei (TW)

(**) Term: **15 Years**

(21) Appl. No.: **29/568,358**

(22) Filed: **Jun. 17, 2016**

(51) **LOC (10) Cl.** **14-03**

(52) **U.S. Cl.**
USPC **D14/496; D14/203.3**

(58) **Field of Classification Search**
USPC D21/324-333; D14/341-346, 356, 432, D14/496, 207.3, 203.7, 507, 399-401; 273/148 B; 463/1, 29-47; 345/156-161, 345/168, 169, 172; 341/22, 23
CPC A63F 9/00; A63F 9/24; A63F 13/00; G06F 17/00; G06F 19/00; G07F 17/32; H01H 9/20

See application file for complete search history.

(56) **References Cited**

U.S. PATENT DOCUMENTS

- D545,301 S * 6/2007 Steindl D14/204
- 7,342,723 B2 * 3/2008 Rodriguez, Jr. G03B 21/005
359/649
- D603,374 S * 11/2009 Peters D14/216
- D655,270 S * 3/2012 Jain D14/167
- 8,282,475 B2 * 10/2012 Nguyen G07F 17/32
273/138.1

- 8,284,972 B2 * 10/2012 Lin H04R 1/021
181/199
- 8,802,950 B2 * 8/2014 Bibollet G10D 7/123
84/377
- D754,093 S * 4/2016 Cho D14/188
- D754,094 S * 4/2016 Cho D14/188
- D772,839 S * 11/2016 Kim D14/203.7
- 9,498,708 B2 * 11/2016 Masuda A63F 13/10
- 9,628,887 B2 * 4/2017 Hovanky H04R 1/08

* cited by examiner

Primary Examiner — Prabhakar G Deshmukh

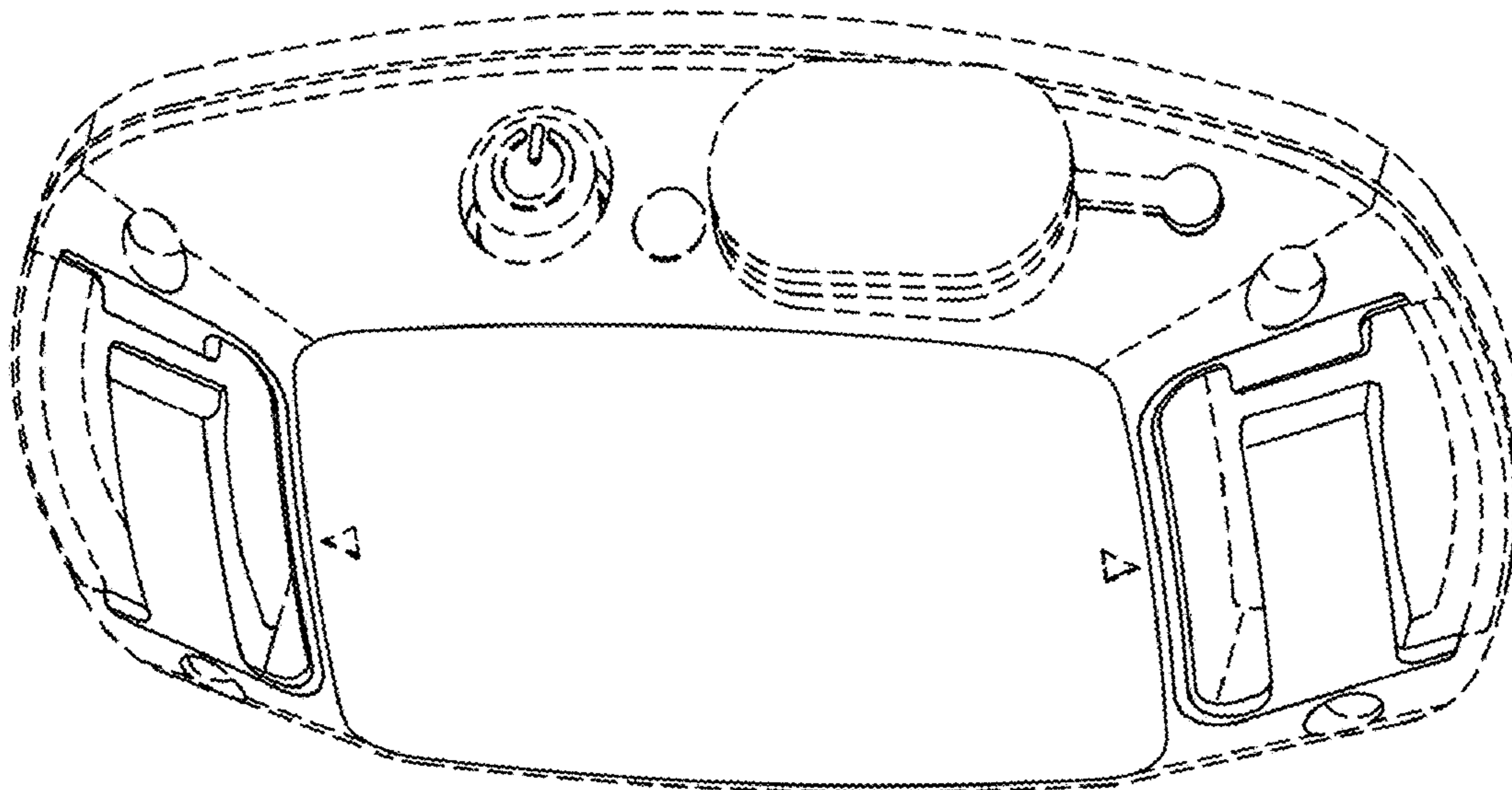
(57) **CLAIM**

I claim the ornamental design for a sound player, as shown and described.

DESCRIPTION

FIG. 1 is a first perspective view of a sound player according to the new design.
 FIG. 2 is a second perspective view thereof showing the design from the front, bottom, and left side.
 FIG. 3 is a front elevational view thereof.
 FIG. 4 is a rear elevational view thereof.
 FIG. 5 is a left side view thereof.
 FIG. 6 is a right side view thereof.
 FIG. 7 is a top plan view thereof.
 FIG. 8 is a bottom plan view thereof.
 FIG. 9 is a third perspective view thereof; and,
 FIG. 10 is a front elevational view of the sound player according to another embodiment of the new design when a cover of a signal connector thereof is removed.
 The broken lines illustrate unclaimed portions and form no part of the claimed design.

1 Claim, 7 Drawing Sheets



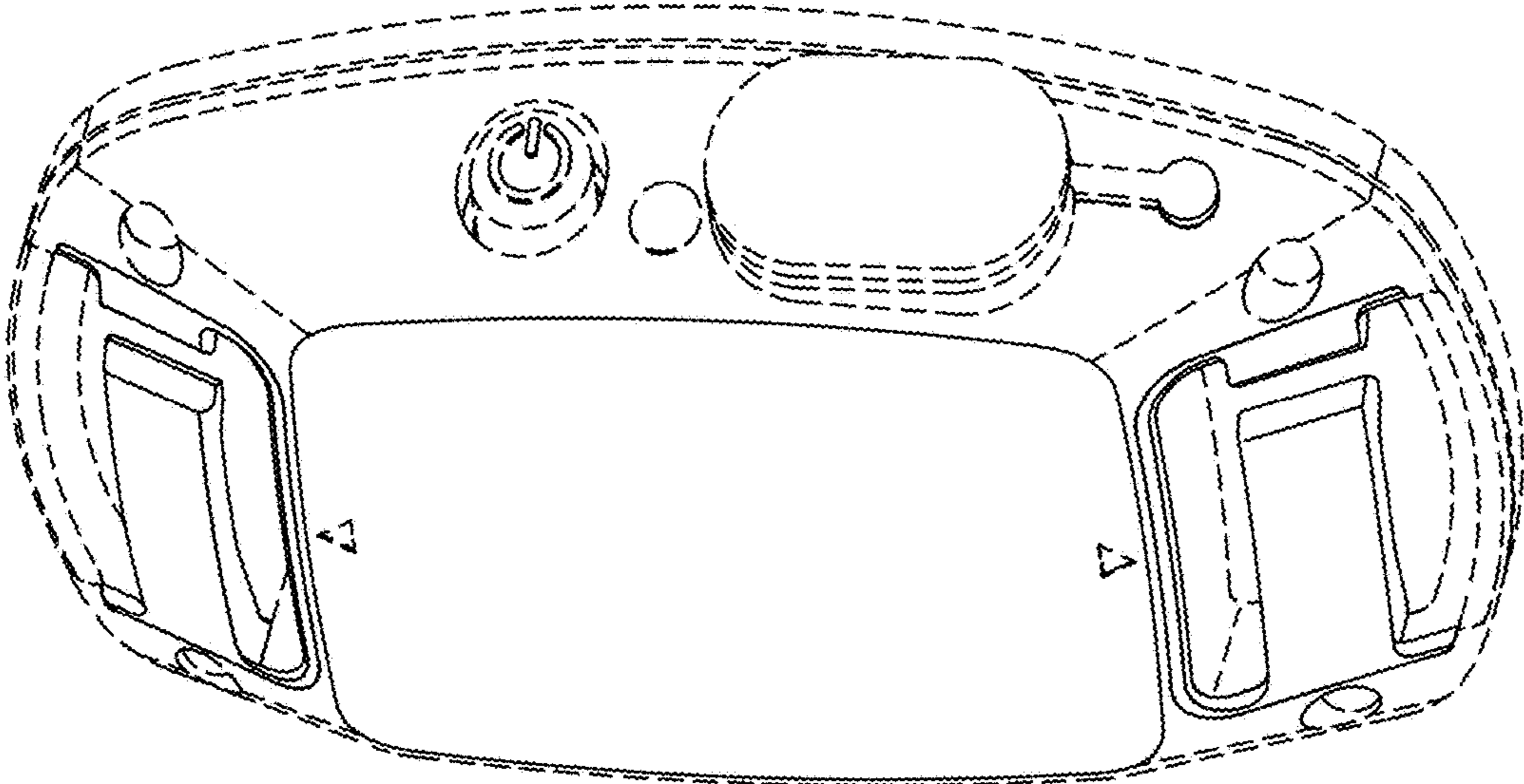


FIG. 1

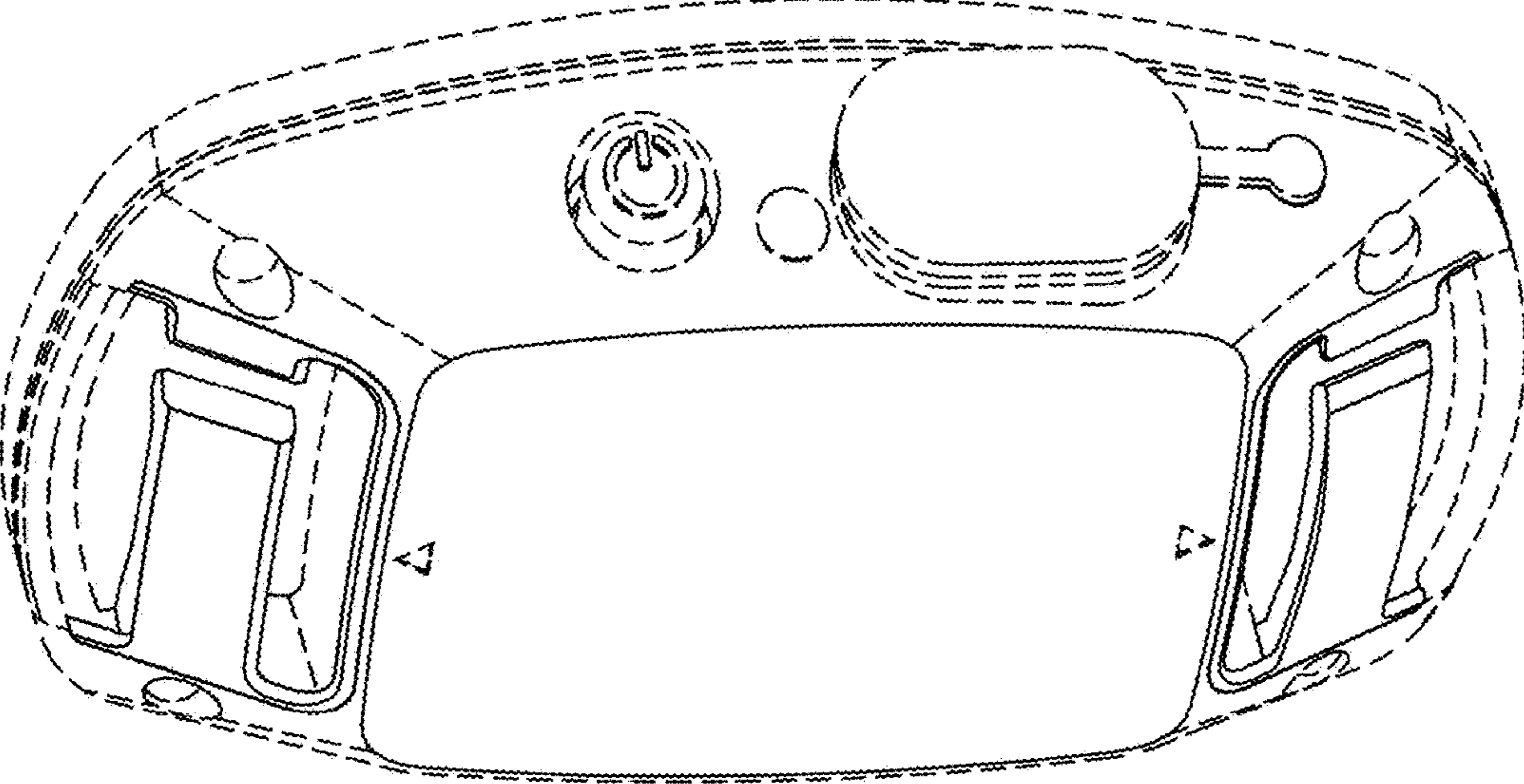


FIG. 2

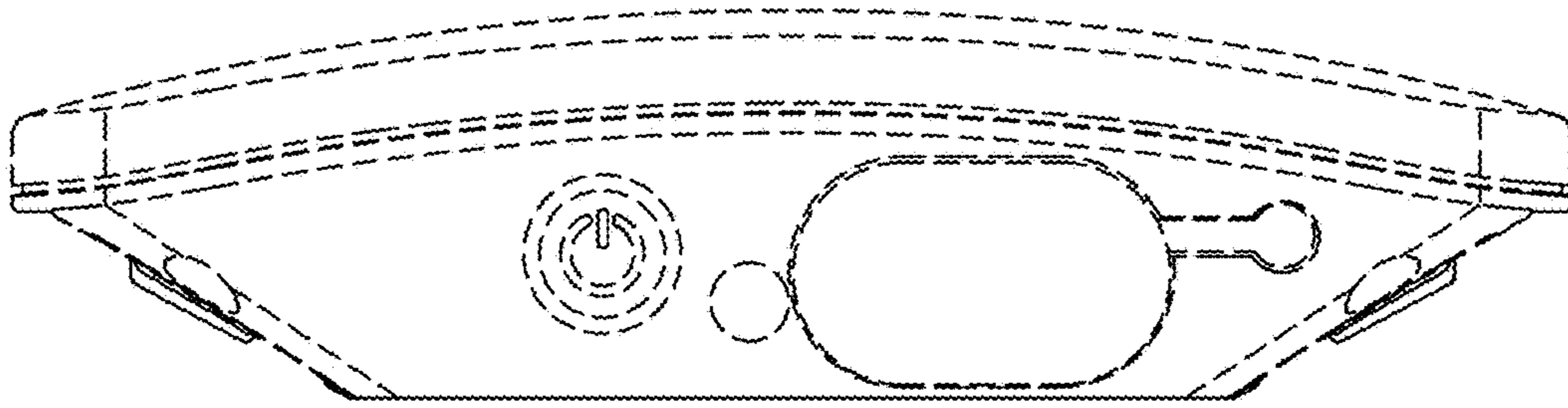


FIG. 3

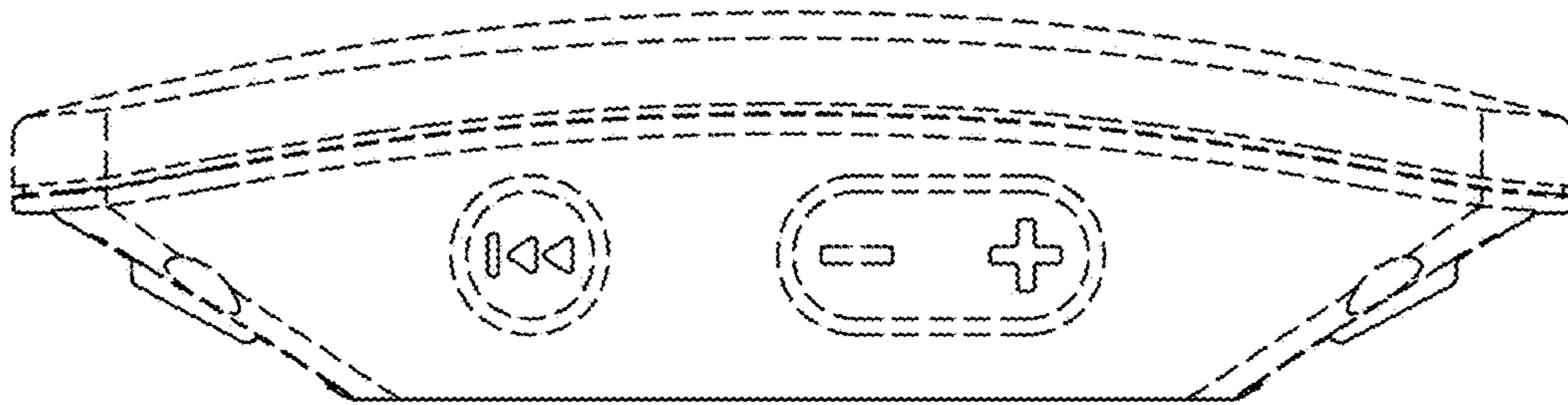


FIG. 4

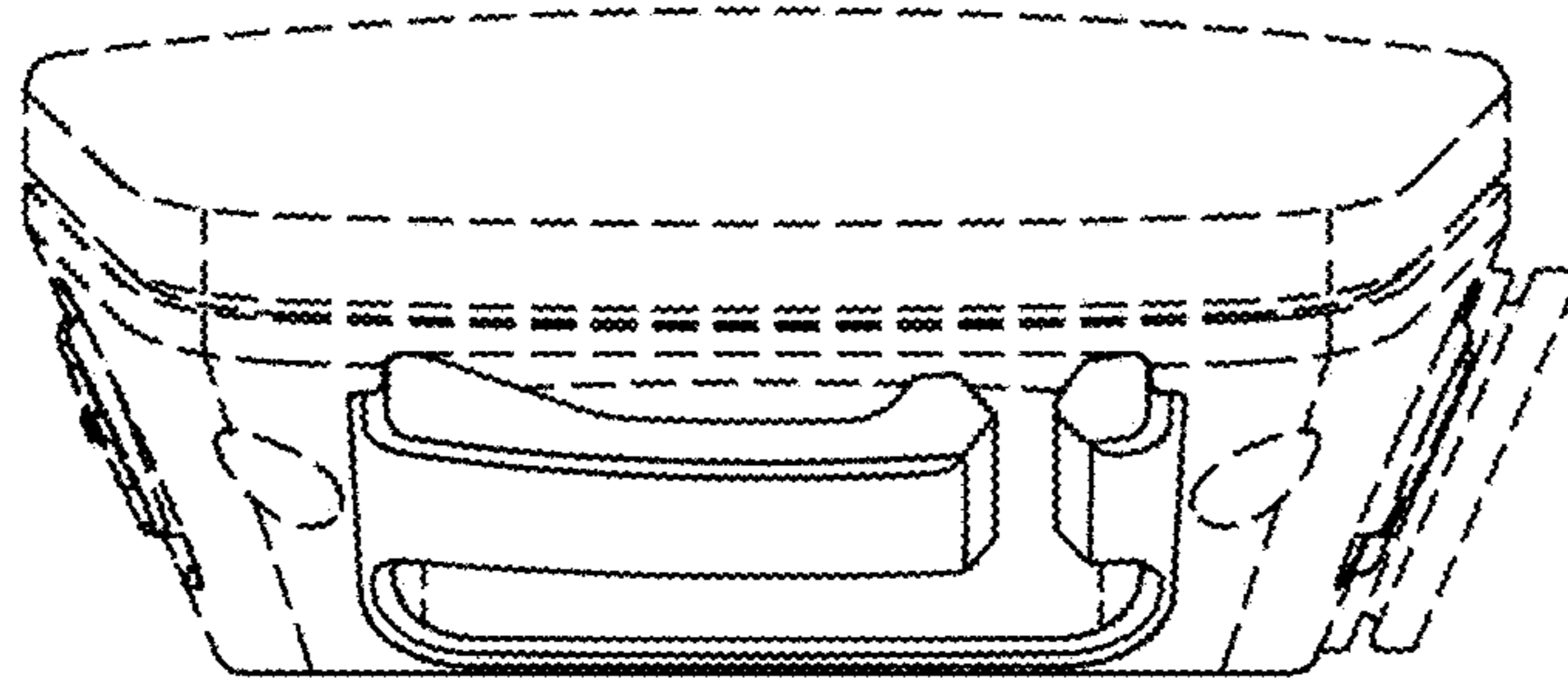


FIG. 5

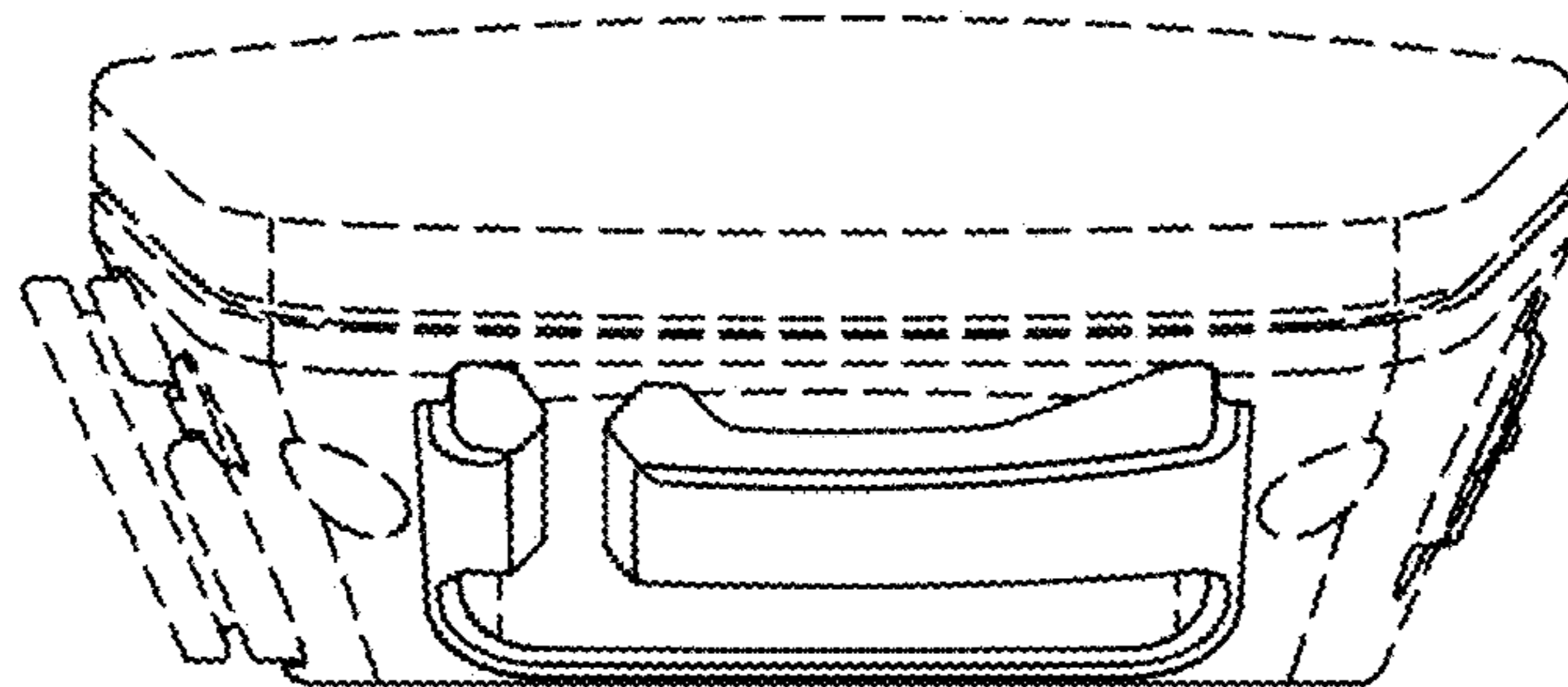


FIG. 6

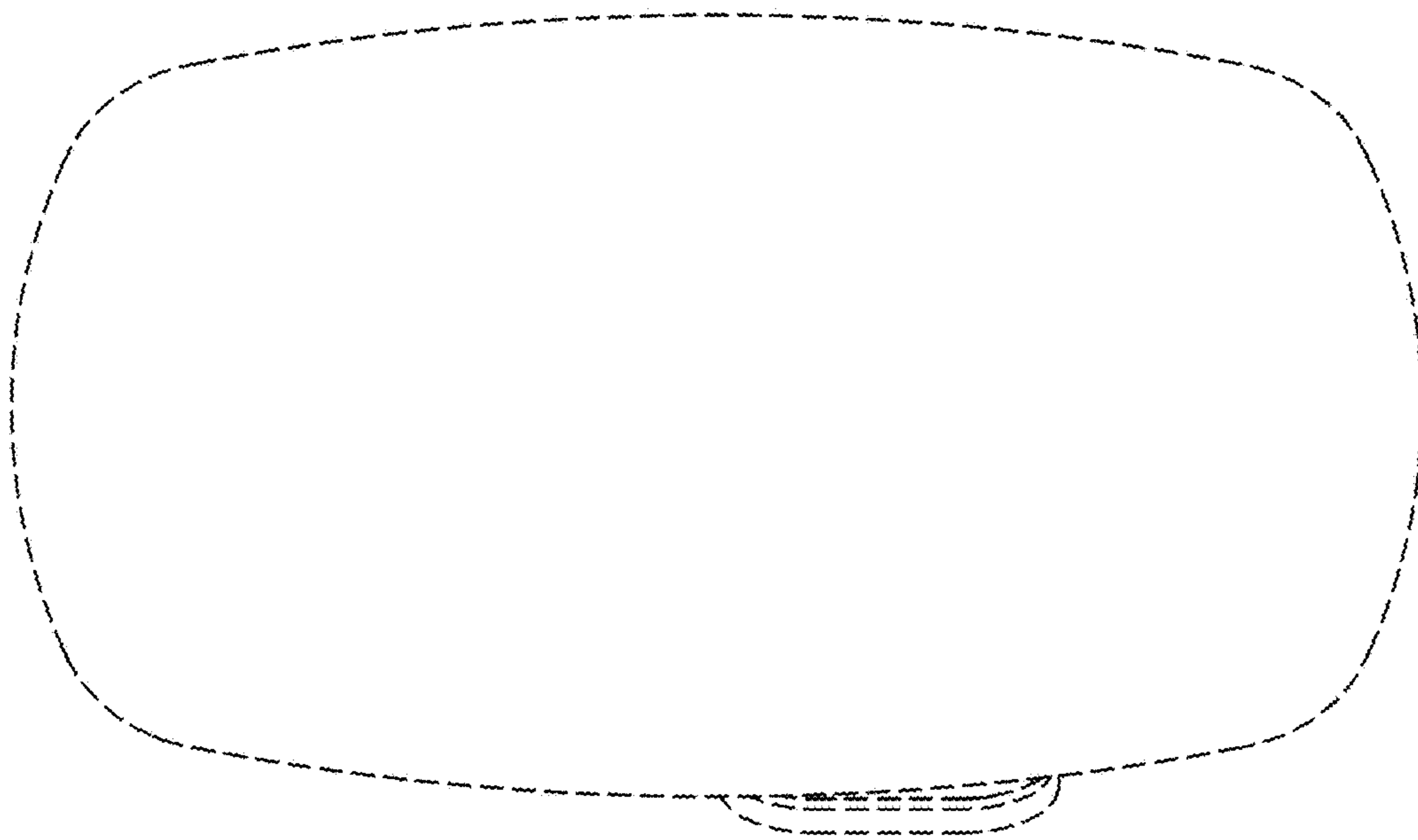


FIG. 7

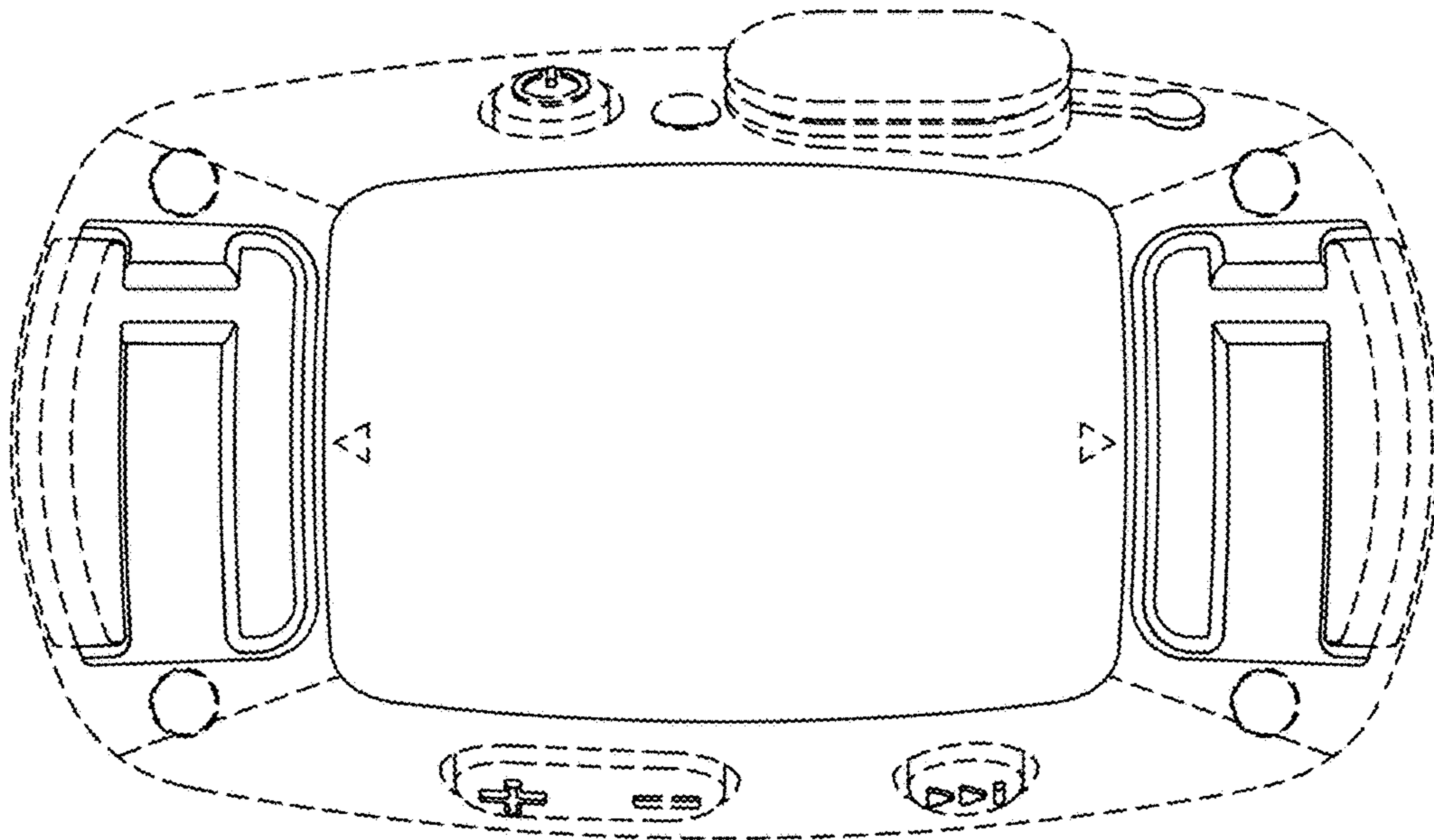


FIG. 8

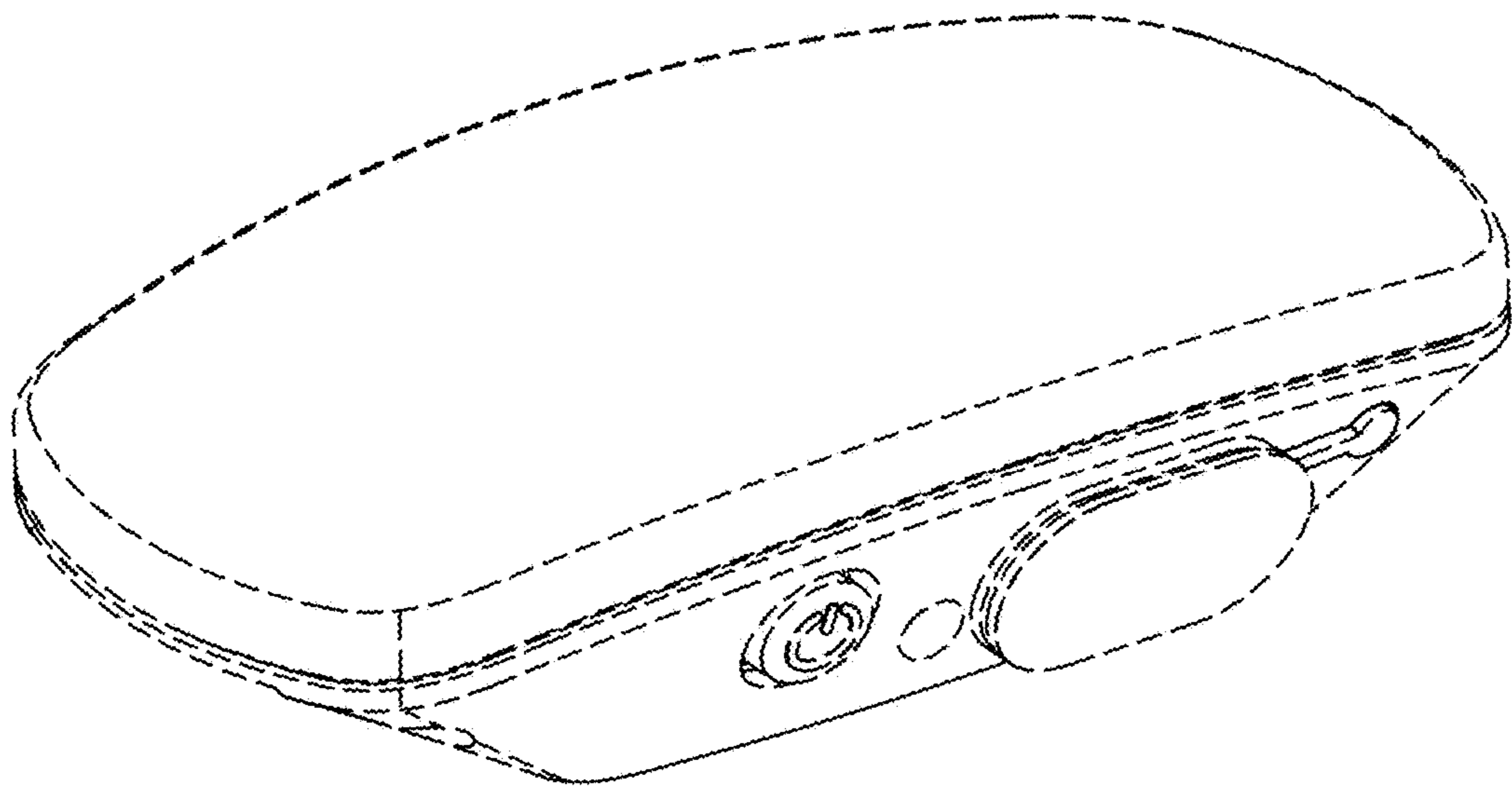


FIG. 9

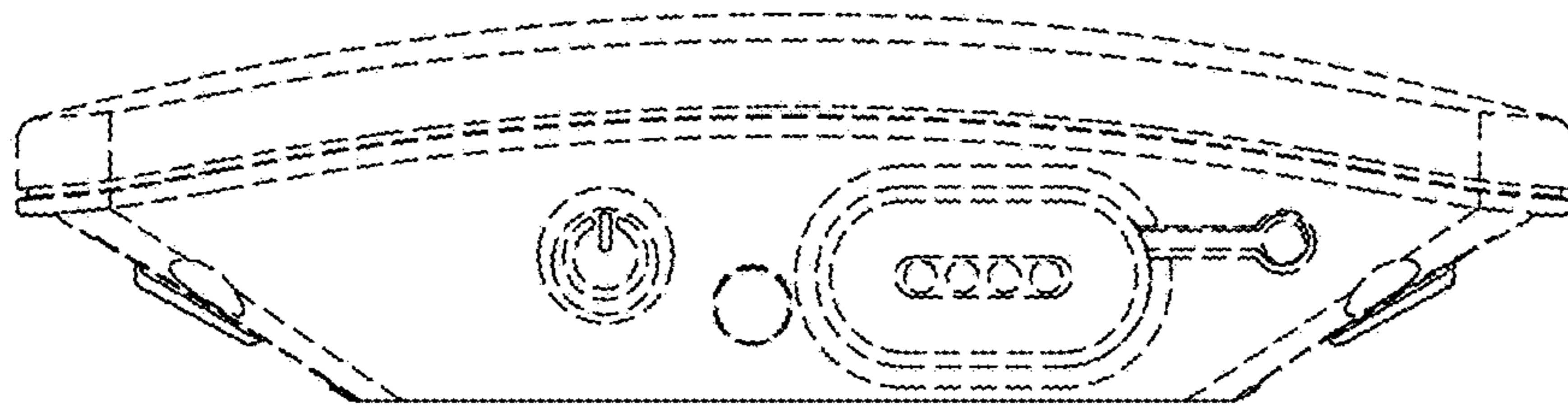


FIG. 10