



US00D802621S

(12) **United States Design Patent** (10) **Patent No.:** **US D802,621 S**
Ishii et al. (45) **Date of Patent:** **** Nov. 14, 2017**

(54) **DISPLAY PANEL OR SCREEN WITH GRAPHICAL USER INTERFACE**

CPC G06F 3/048; G06F 3/0481; G06F 3/04812; G06F 3/04817; G06F 3/0482; G06F 3/0483; G06F 3/0484; G06F 3/04847; G06F 3/0485; G06F 3/04855; G06F 3/04886; G06C 30/00

(71) Applicant: **Sony Corporation**, Tokyo (JP)

See application file for complete search history.

(72) Inventors: **Tomohiro Ishii**, Tokyo (JP); **Ryuji Nakayama**, Kanagawa (JP); **Takahiro Fujii**, Tokyo (JP)

(56) **References Cited**

(73) Assignee: **SONY CORPORATION**, Tokyo (JP)

U.S. PATENT DOCUMENTS

(**) Term: **15 Years**

D550,233	S	*	9/2007	Vigesaa	D14/487
D599,359	S	*	9/2009	Hoefnagels	D14/485
D605,200	S	*	12/2009	Sakai	D14/486
D619,613	S	*	7/2010	Dunn	D14/488
D654,504	S	*	2/2012	Pearson	D14/486
D657,367	S	*	4/2012	Allen	D14/485
D677,677	S	*	3/2013	Edwards	D14/485
D688,676	S	*	8/2013	Okumura	D14/486
D689,070	S	*	9/2013	Edwards	D14/486
D689,901	S	*	9/2013	Edwards	D14/488
D699,256	S	*	2/2014	Edwards	D14/486
D699,752	S	*	2/2014	Edwards	D14/488
D706,795	S	*	6/2014	Andersson Reimer	D14/486
D706,803	S	*	6/2014	Rogowski et al.		
D707,236	S	*	6/2014	Yang	D14/486
D719,964	S	*	12/2014	Hobbs	D14/486
D726,735	S	*	4/2015	Asai	D14/485
D729,817	S	*	5/2015	Roberts	D14/485
D729,825	S	*	5/2015	Edwards	D14/486
D731,524	S	*	6/2015	Brinda	D14/488
D742,901	S	*	11/2015	Choi	D14/486
D743,432	S	*	11/2015	Sergeev	D14/487
D745,039	S	*	12/2015	Jou	D14/488
D745,527	S	*	12/2015	Wang	D14/485
D745,885	S	*	12/2015	Seo	D14/488
D750,098	S	*	2/2016	Song	D14/485
D750,118	S	*	2/2016	Shoji et al.		
D752,627	S	*	3/2016	Qu	D14/487
D754,188	S	*	4/2016	Shin	D14/488
D761,816	S	*	7/2016	Kobetz	D14/485
D762,656	S	*	8/2016	He	D14/485
D762,662	S	*	8/2016	Kobetz	D14/485
D768,173	S	*	10/2016	Hally	D14/486
D776,139	S	*	1/2017	Okumura	D14/486
D777,764	S	*	1/2017	Ball	D14/486
D777,768	S	*	1/2017	Persson	D14/487
D785,658	S	*	5/2017	Moroney	D14/486
2012/0210275	A1	*	8/2012	Park	G06F 3/04883 715/810
2015/0312508	A1	*	10/2015	Phang	H04N 5/45 348/552

(21) Appl. No.: **29/558,425**

(22) Filed: **Mar. 17, 2016**

Related U.S. Application Data

(63) Continuation-in-part of application No. 29/543,966, filed on Oct. 29, 2015.

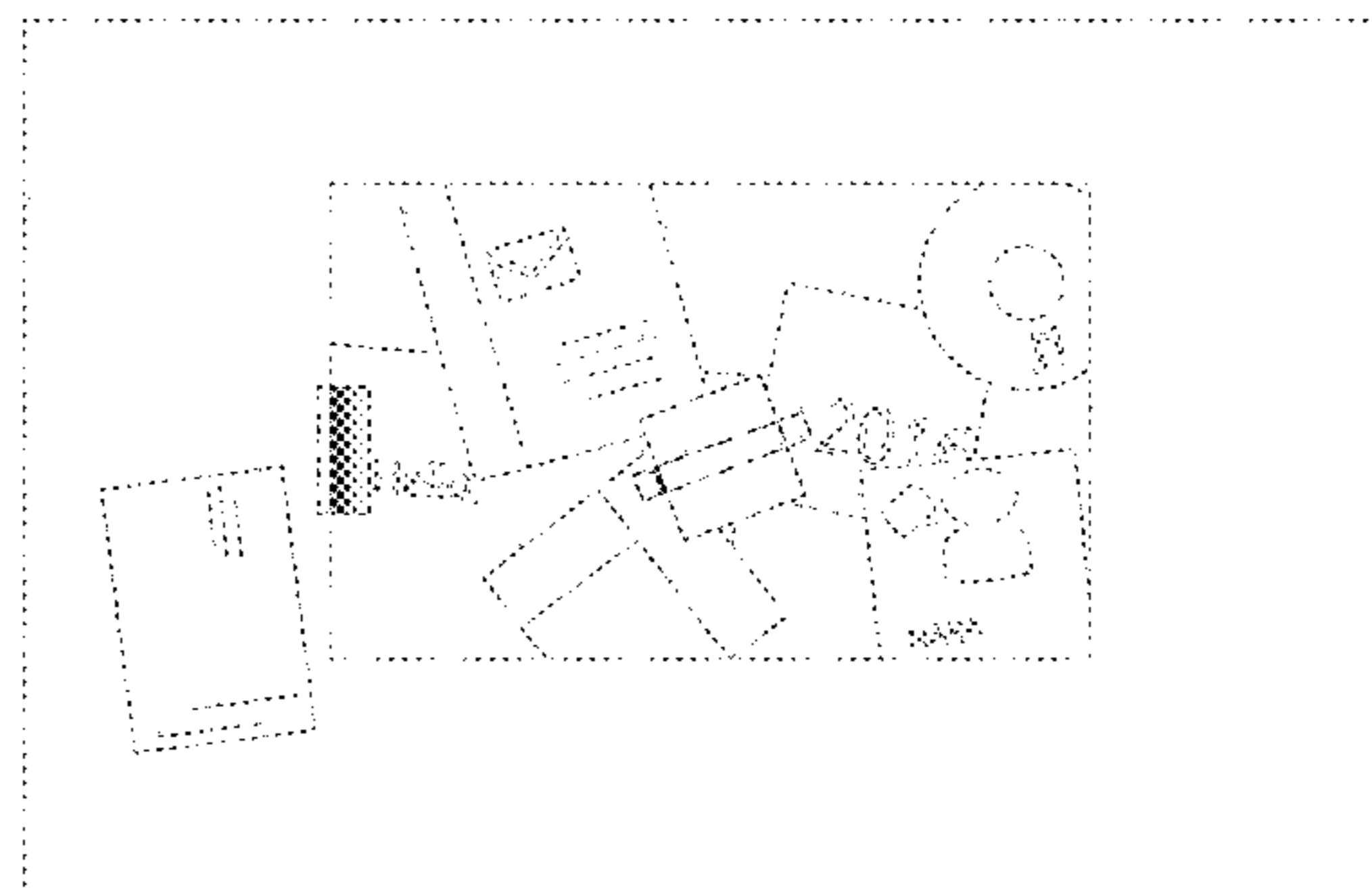
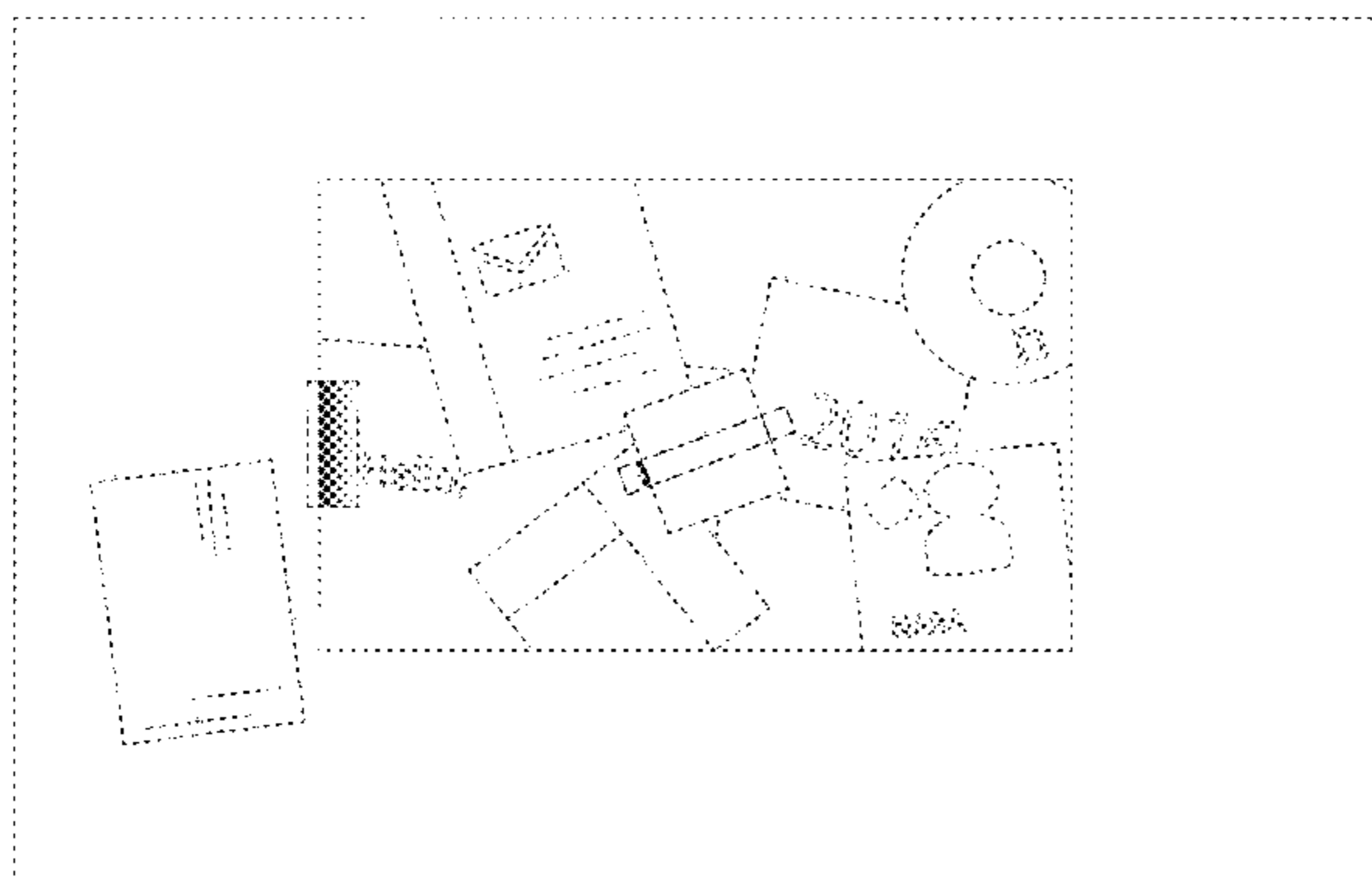
(30) **Foreign Application Priority Data**

Sep. 1, 2015	(JP)	D2015-019388
Sep. 1, 2015	(JP)	D2015-019389
Sep. 1, 2015	(JP)	D2015-019390
Sep. 1, 2015	(JP)	D2015-019391
Sep. 1, 2015	(JP)	D2015-019392
Sep. 1, 2015	(JP)	D2015-019393
Sep. 1, 2015	(JP)	D2015-019394
Sep. 1, 2015	(JP)	D2015-019395
Sep. 1, 2015	(JP)	D2015-019396
Sep. 1, 2015	(JP)	D2015-019397
Sep. 1, 2015	(JP)	D2015-019398
Sep. 1, 2015	(JP)	D2015-019399

(51) **LOC (10) Cl.** **14-04**

(52) **U.S. Cl.**
USPC **D14/487**

(58) **Field of Classification Search**
USPC D14/485-495; 345/1.1, 1.2, 2.1-2.3, 3.1, 345/902; 715/763, 810, 836, 837, 846, 715/847, 977



FOREIGN PATENT DOCUMENTS

JP	2010-128845	A	6/2010
JP	D1425936	S	10/2011
JP	D1509142	S	10/2014
KR	30-0516103	S	12/2008
KR	30-0538663	S	9/2009
KR	30-0668238	S	1/2013
WO	WO-DM/082326	S	5/2013

OTHER PUBLICATIONS

Office Action issued in Japanese Application No. D2015-019397, dated May 10, 2016.

Office Action issued in Japanese Application No. D2015-019394, dated May 11, 2016.

Office Action issued in Japanese Application No. D2015-019395, dated May 9, 2016.

Office Action issued in Japanese Application No. D2015-019398, dated May 10, 2016.

Website, http://www.toysrus.com/product/prodpop.jsp?LargeImageURL=http%3A//TRUS.imageg.net/graphics/product_images/pTRU1-12410368dt.jpg&displayTab=enh&productId=12687246&totCount=0, Cited reference in Office

Action issued in Japanese Application No. D2015-019394, dated May 11, 2016, mailed May 13, 2016, ToysRUs, USA.

Decision on Appeal issued in Japanese Application No. D2015-019131, dated Sep. 1, 2017.

Website, <http://www.gateway.com/gw/en/US/content/zx-series/zxseries>, "Gateway One ZX Series," obtained Sep. 13, 2017, equivalent of unavailable website at address http://www.gateway.com/programs/zxseries/intex.php?cmpid=topnay_computers, published Nov. 16, 2009, cited in Decision on Appeal issued in Japanese Application No. D2015-019131, dated Sep. 1, 2017.

* cited by examiner

Primary Examiner — Cathron Brooks

Assistant Examiner — Christian P McLean

(74) *Attorney, Agent, or Firm* — Michael Best and Friedrich LLP

(57) CLAIM

The ornamental design for a display panel or screen with a graphical user interface, as shown and described.

DESCRIPTION

FIG. 1 is a front view of a first embodiment of a display panel or screen with a graphical user interface showing our new design;

FIG. 2 is a second view thereof;

FIG. 3 is a third view thereof;

FIG. 4 is a fourth view thereof;

FIG. 5 is a fifth view thereof;

FIG. 6 is a sixth view thereof;

FIG. 7 is a seventh view thereof; and

FIG. 8 is an eighth view thereof.

FIG. 9 is a front view of a second embodiment of a display panel or screen with a graphical user interface showing our new design;

FIG. 10 is a second view thereof;

FIG. 11 is a third view thereof;

FIG. 12 is a fourth view thereof;

FIG. 13 is a fifth view thereof;

FIG. 14 is a sixth view thereof;

FIG. 15 is a seventh view thereof; and

FIG. 16 is an eighth view thereof.

FIG. 17 is a front view of a third embodiment of a display panel or screen with a graphical user interface showing our new design;

FIG. 18 is a second view thereof;

FIG. 19 is a third view thereof;

FIG. 20 is a fourth view thereof;

FIG. 21 is a fifth view thereof;

FIG. 22 is a sixth view thereof;

FIG. 23 is a seventh view thereof; and

FIG. 24 is an eighth view thereof.

FIG. 25 is a front view of a fourth embodiment of a display panel or screen with a graphical user interface showing our new design;

FIG. 26 is a second view thereof;

FIG. 27 is a third view thereof;

FIG. 28 is a fourth view thereof;

FIG. 29 is a fifth view thereof;

FIG. 30 is a sixth view thereof;

FIG. 31 is a seventh view thereof; and

FIG. 32 is an eighth view thereof.

FIG. 33 is a front view of a fifth embodiment of a display panel or screen with a graphical user interface showing our new design;

FIG. 34 is a second view thereof;

FIG. 35 is a third view thereof;

FIG. 36 is a fourth view thereof;

FIG. 37 is a fifth view thereof;

FIG. 38 is a sixth view thereof;

FIG. 39 is a seventh view thereof; and

FIG. 40 is an eighth view thereof.

FIG. 41 is a front view of a sixth embodiment of a display panel or screen with a graphical user interface showing our new design;

FIG. 42 is a second view thereof;

FIG. 43 is a third view thereof;

FIG. 44 is a fourth view thereof;

FIG. 45 is a fifth view thereof;

FIG. 46 is a sixth view thereof;

FIG. 47 is a seventh view thereof; and

FIG. 48 is an eighth view thereof.

FIG. 49 is a front view of a seventh embodiment of a display panel or screen with a graphical user interface showing our new design;

FIG. 50 is a second view thereof;

FIG. 51 is a third view thereof;

FIG. 52 is a fourth view thereof;

FIG. 53 is a fifth view thereof;

FIG. 54 is a sixth view thereof;

FIG. 55 is a seventh view thereof; and

FIG. 56 is an eighth view thereof.

FIG. 57 is a front view of an eighth embodiment of a display panel or screen with a graphical user interface showing our new design;

FIG. 58 is a second view thereof;

FIG. 59 is a third view thereof;

FIG. 60 is a fourth view thereof;

FIG. 61 is a fifth view thereof;

FIG. 62 is a sixth view thereof;

FIG. 63 is a seventh view thereof; and

FIG. 64 is an eighth view thereof.

FIG. 65 is a front view of a ninth embodiment of a display panel or screen with a graphical user interface showing our new design;

FIG. 66 is a second view thereof;

FIG. 67 is a third view thereof;

FIG. 68 is a fourth view thereof;
FIG. 69 is a fifth view thereof;
FIG. 70 is a sixth view thereof;
FIG. 71 is a seventh view thereof; and,
FIG. 72 is an eighth view thereof.

The appearance of the view transitions sequentially between FIGS. 1-8, 9-16, 17-24, 25-32, 33-40, 41-48, 49-64 and 65-72, respectively. The process or period in which an image transitions to another forms no part of the claimed design.

The outermost broken lines illustrate a display panel or screen and form no part of the claimed design.

The dot-dash broken lines illustrate the boundaries of the claim and form no part of the claimed design. The remaining broken lines, illustrating portions of the graphical user interface, form no part of the claimed design.

1 Claim, 36 Drawing Sheets

FIG.1

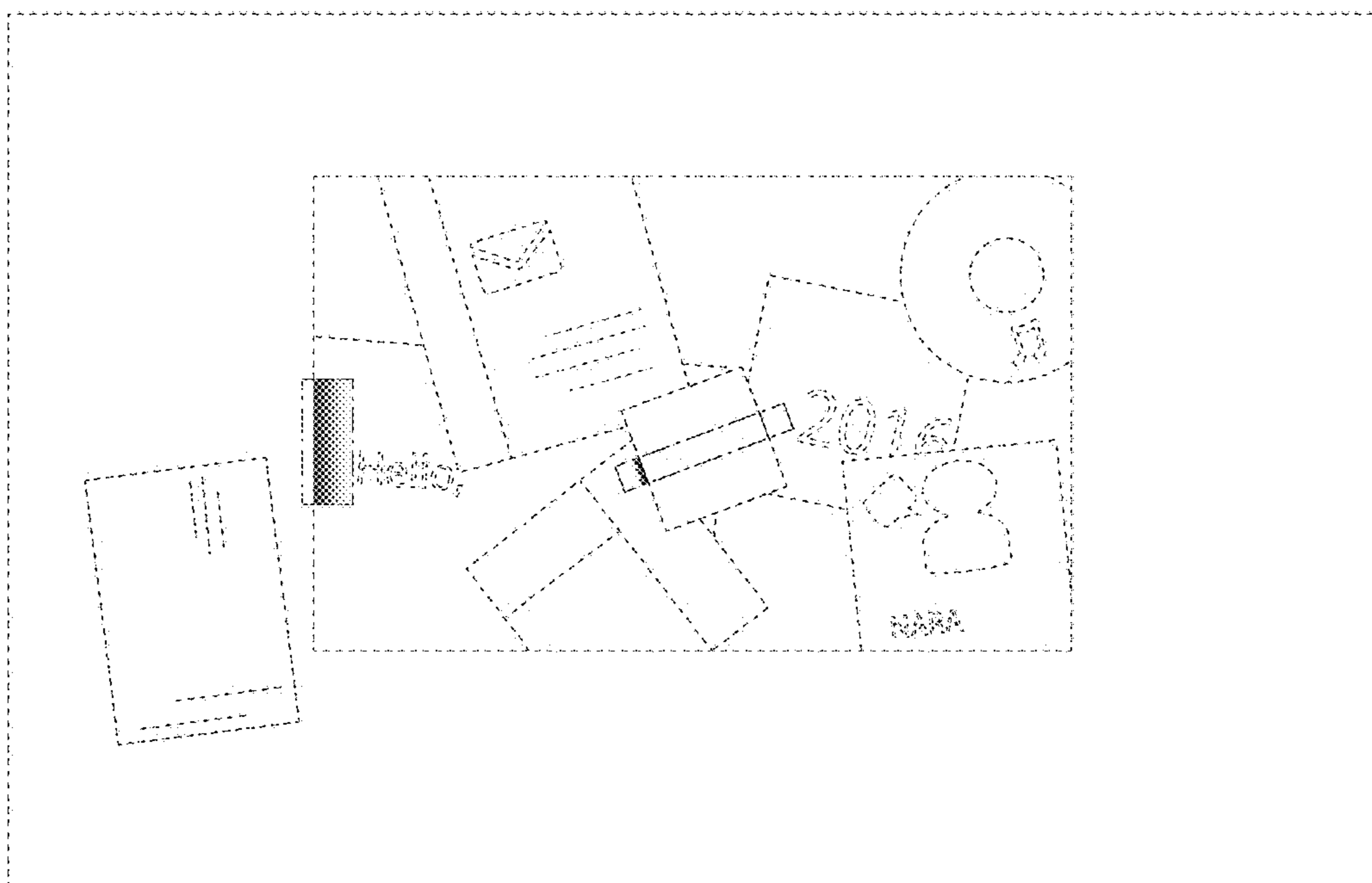


FIG.2

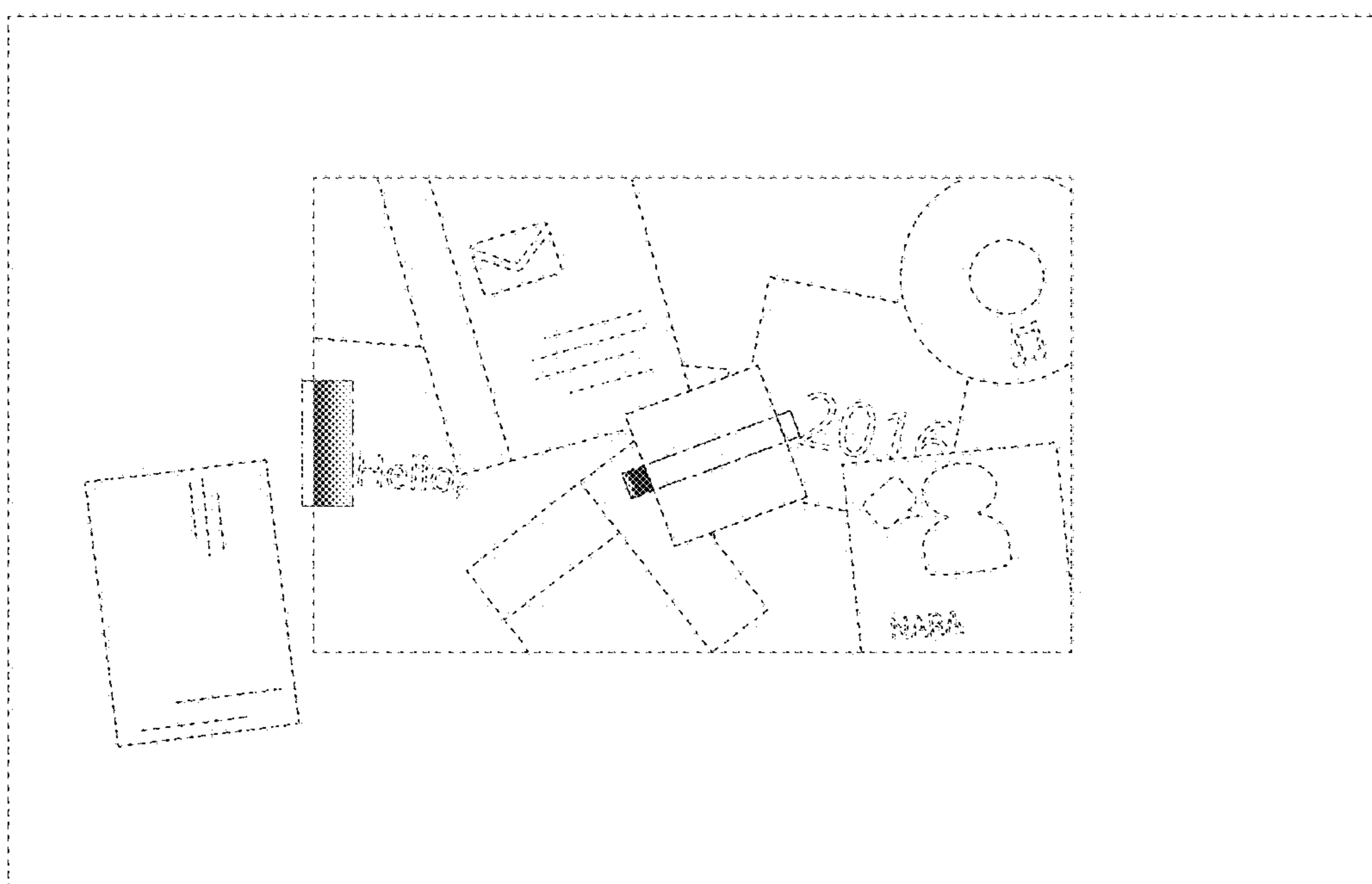


FIG.3

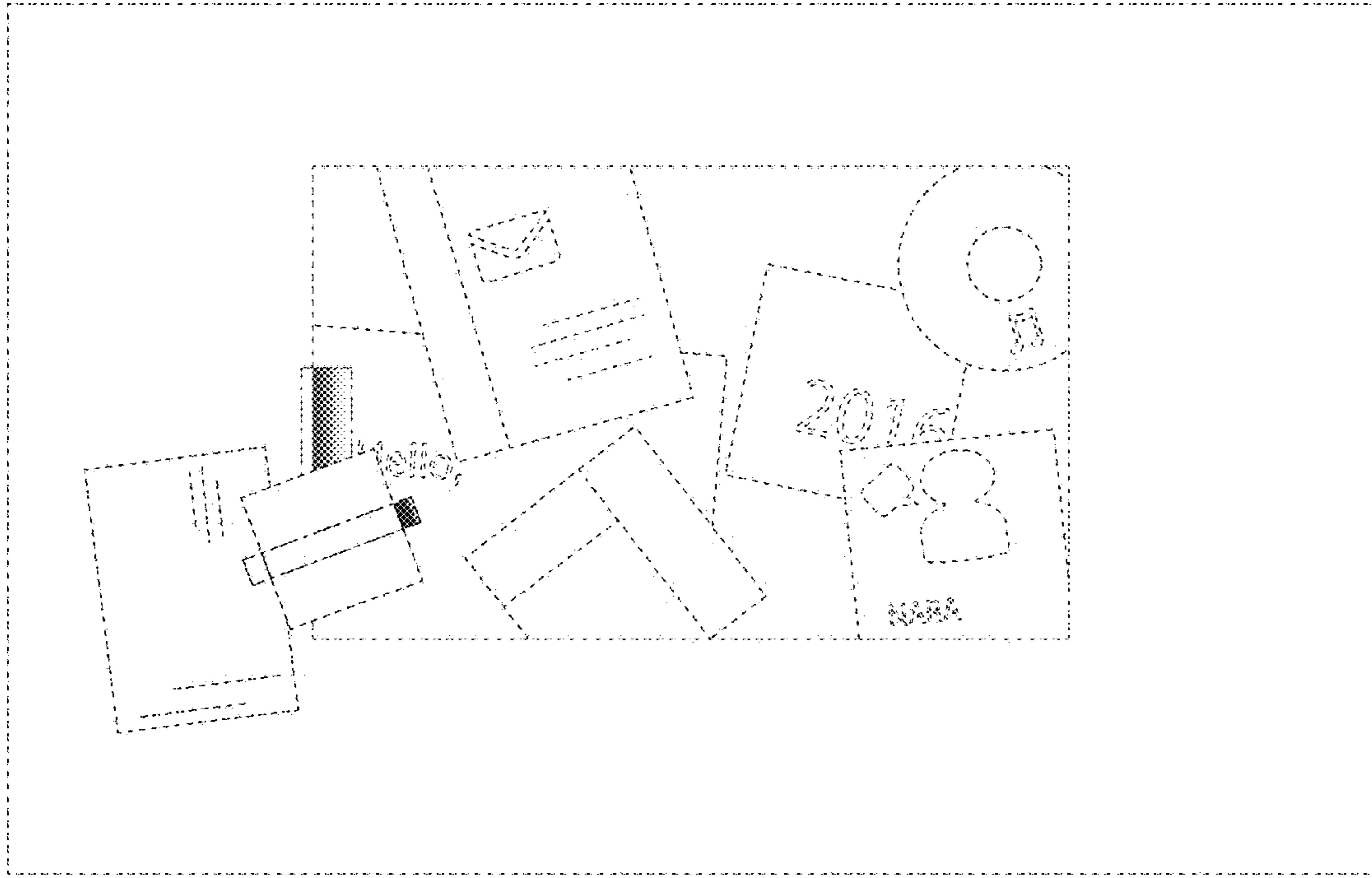


FIG.4

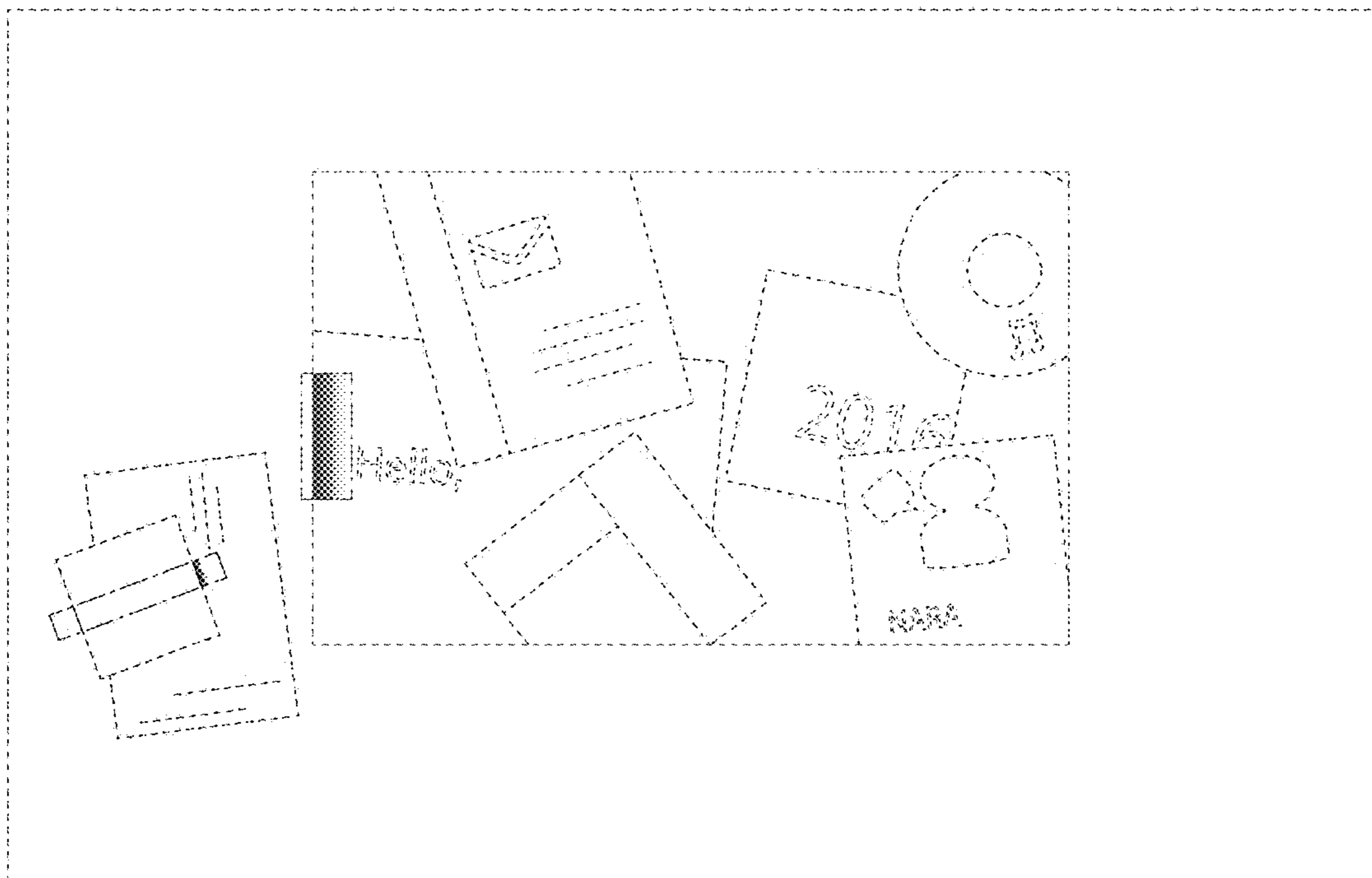


FIG.5

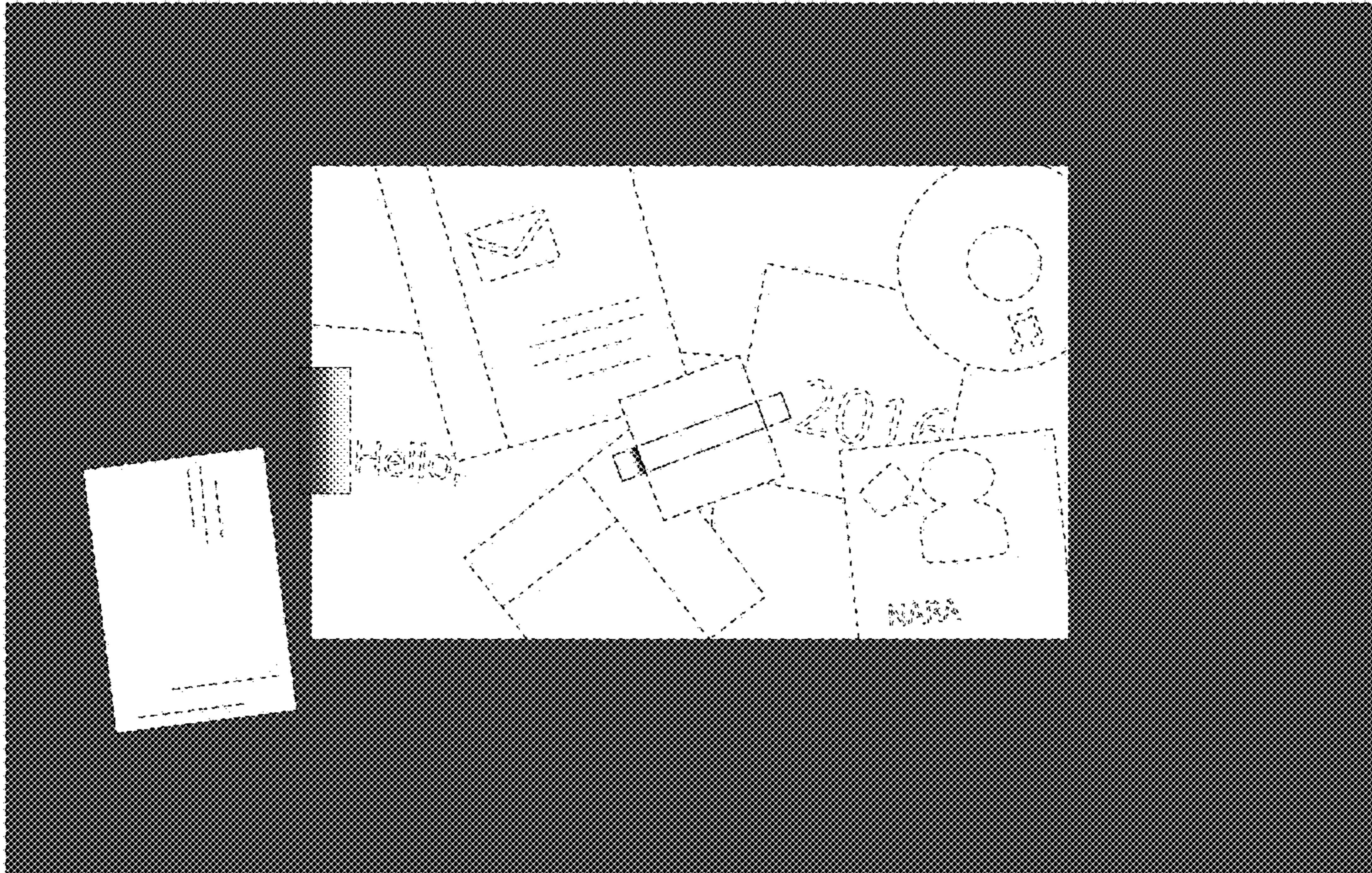


FIG.6

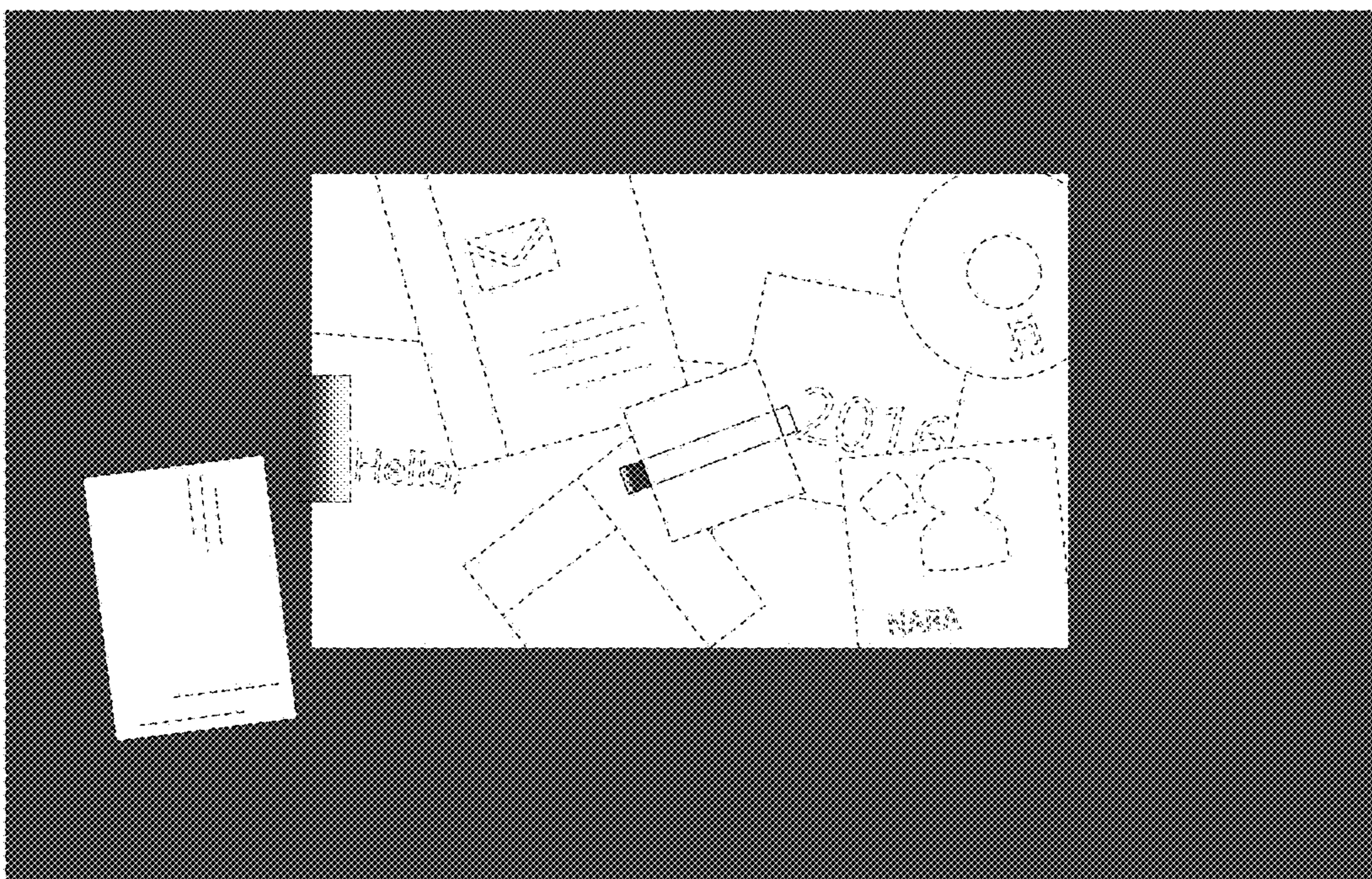


FIG.7

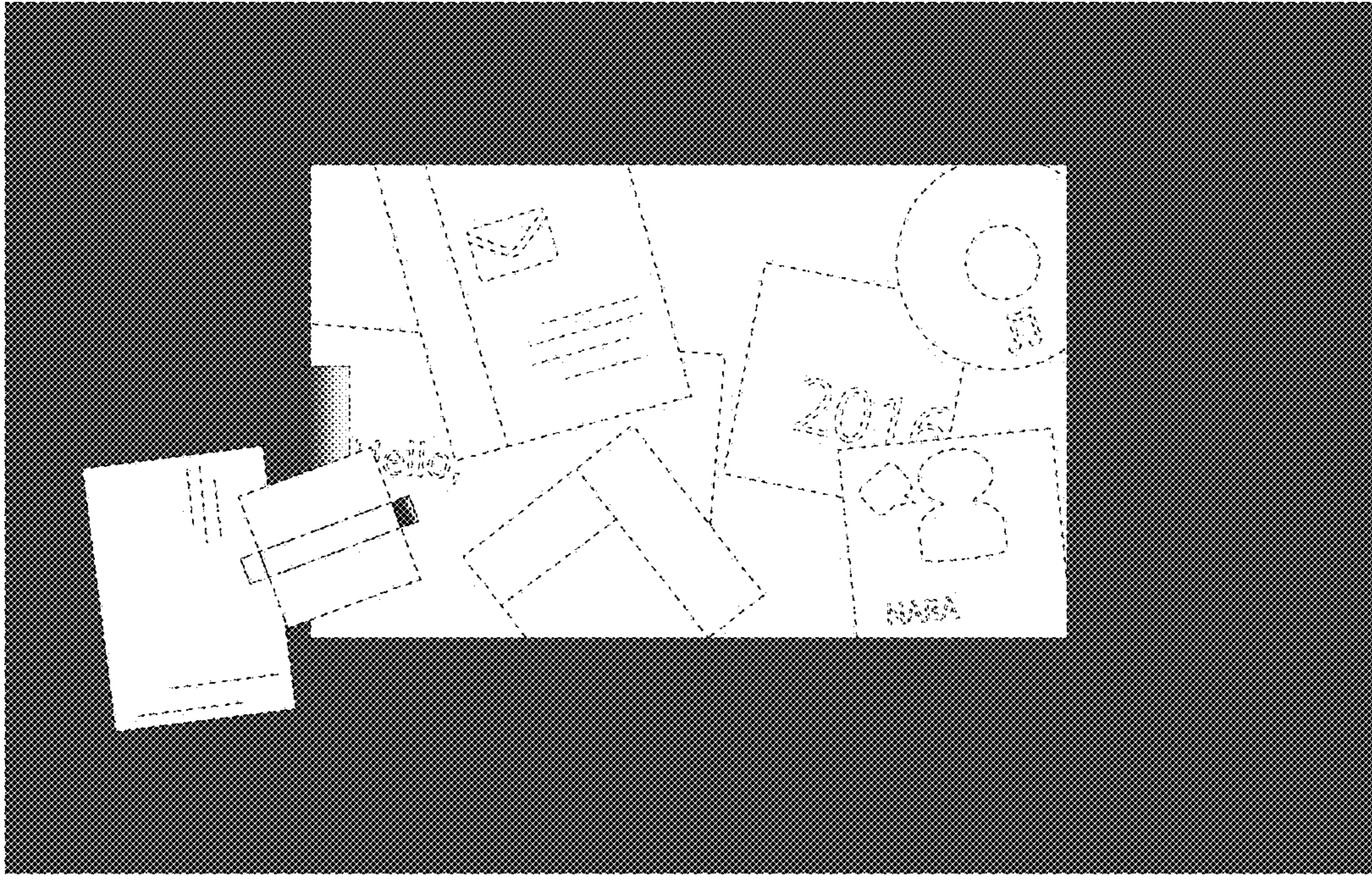


FIG.8

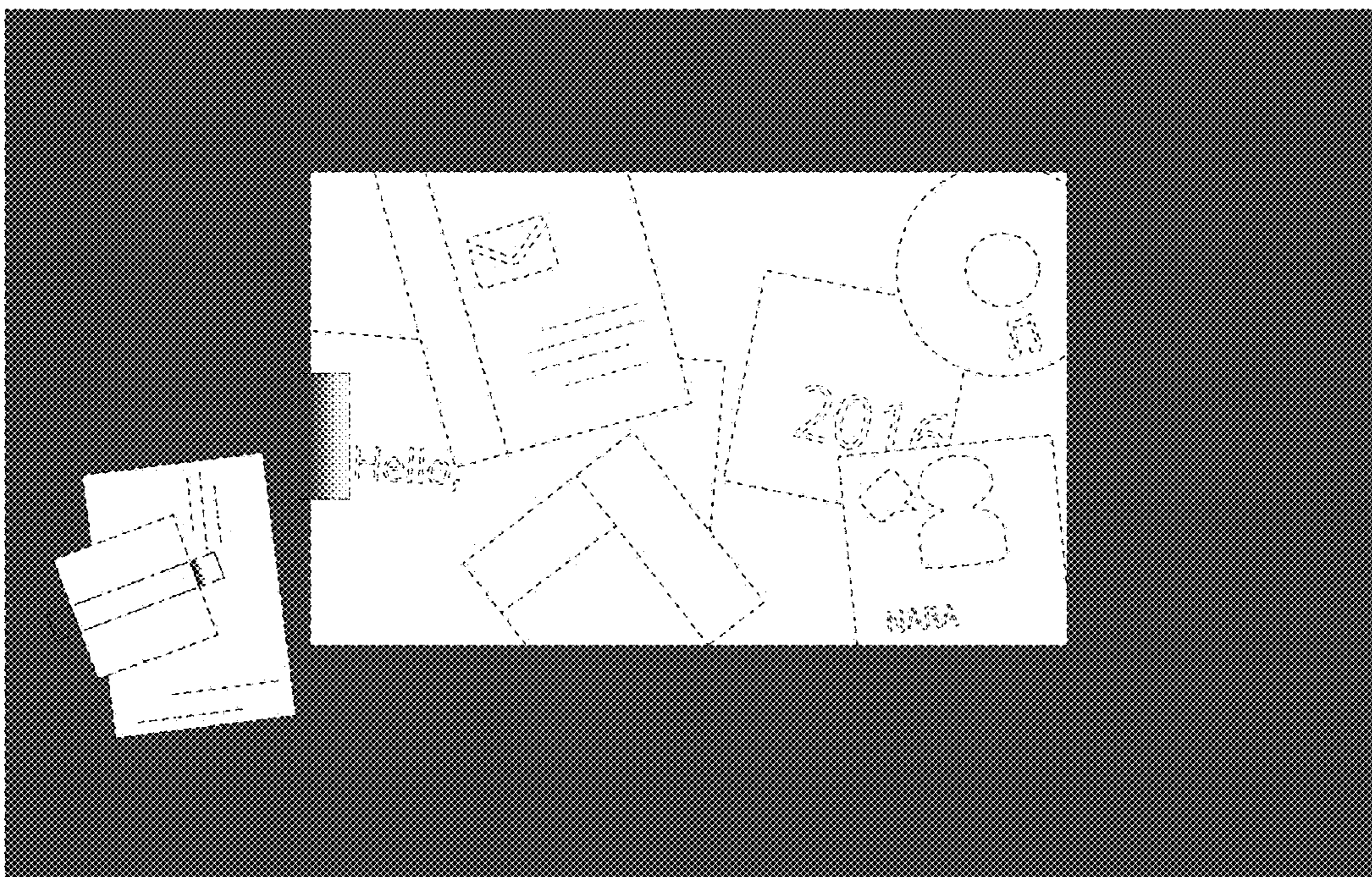


FIG.9

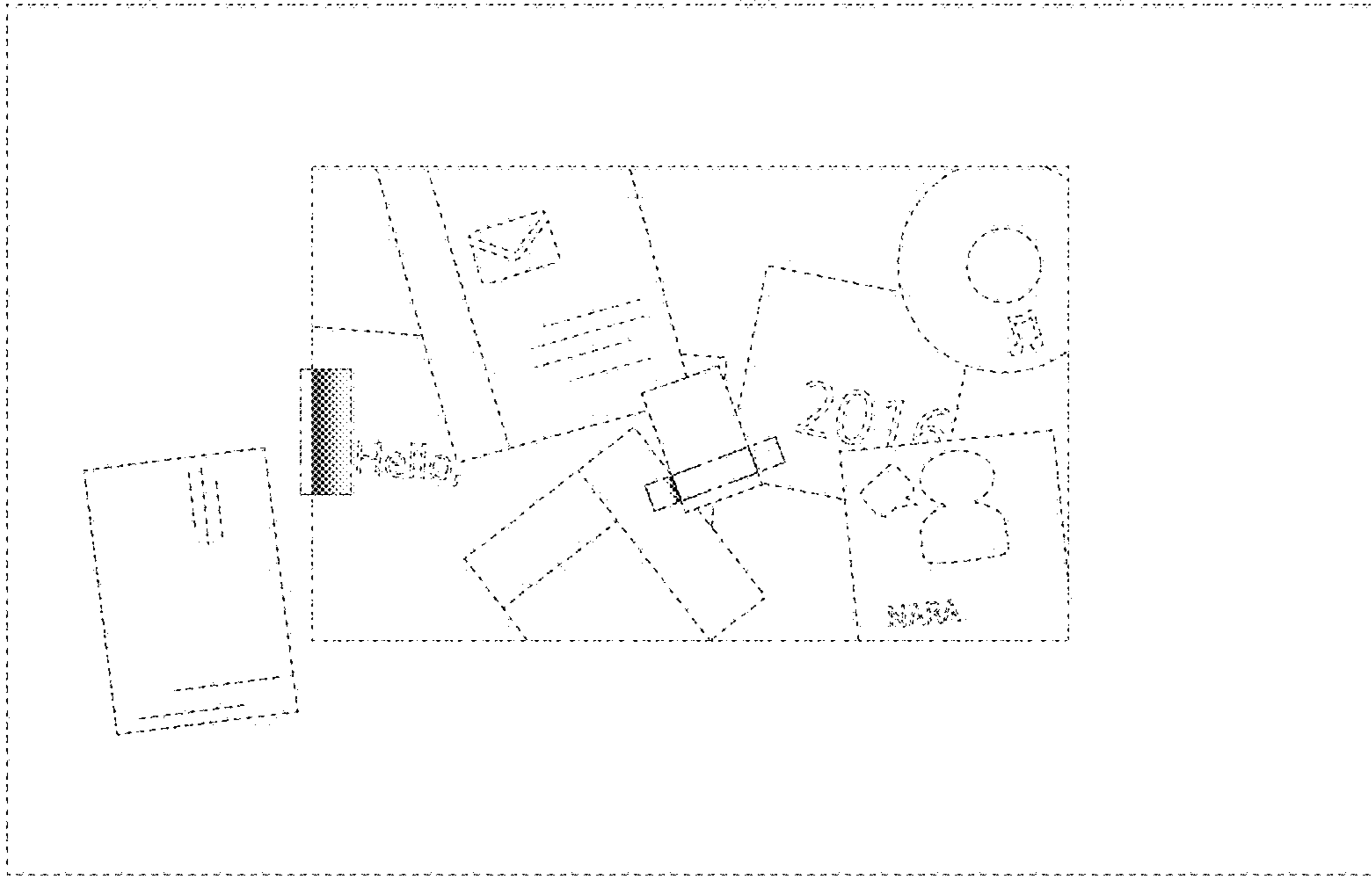


FIG.10

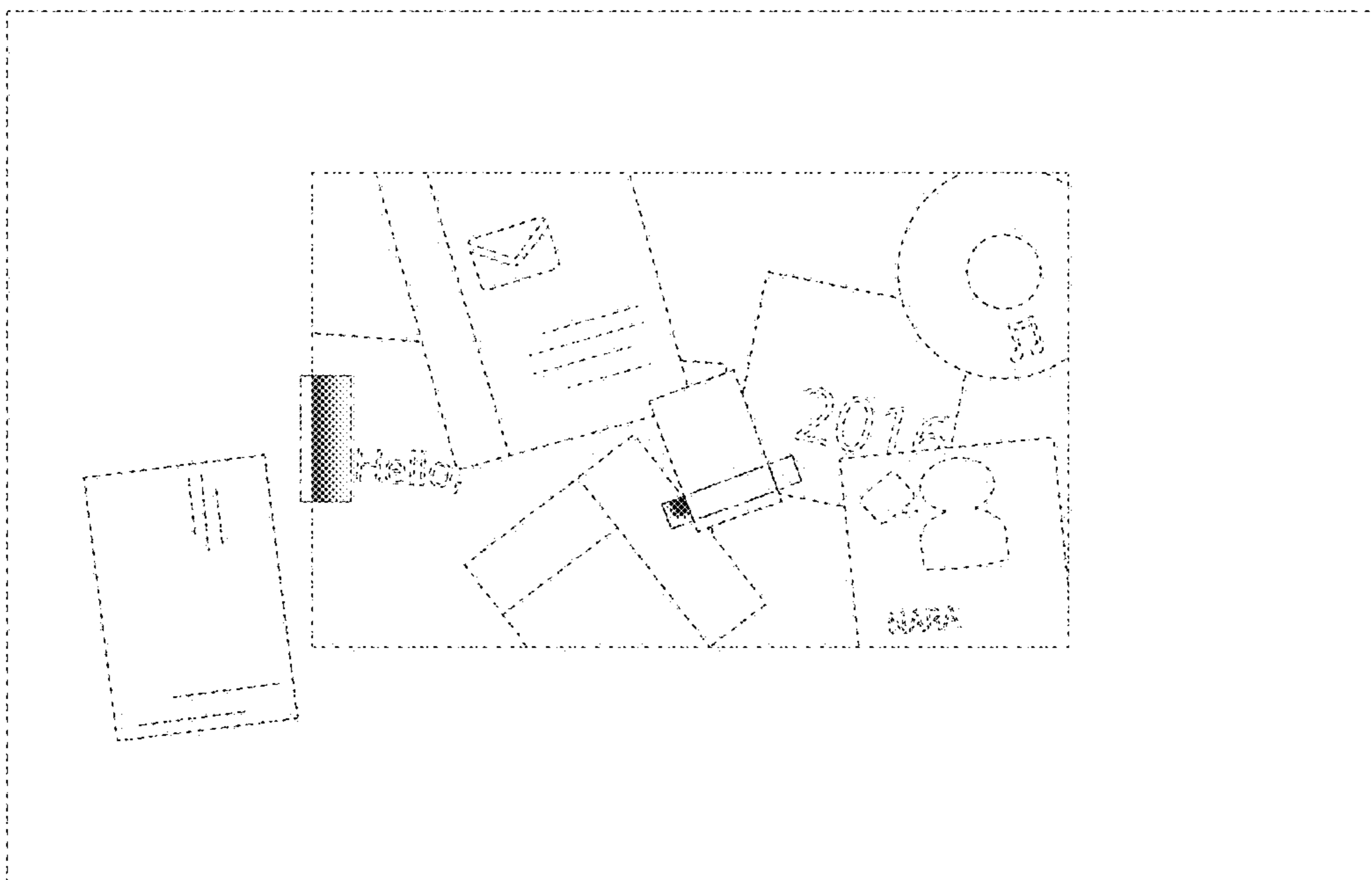


FIG.11

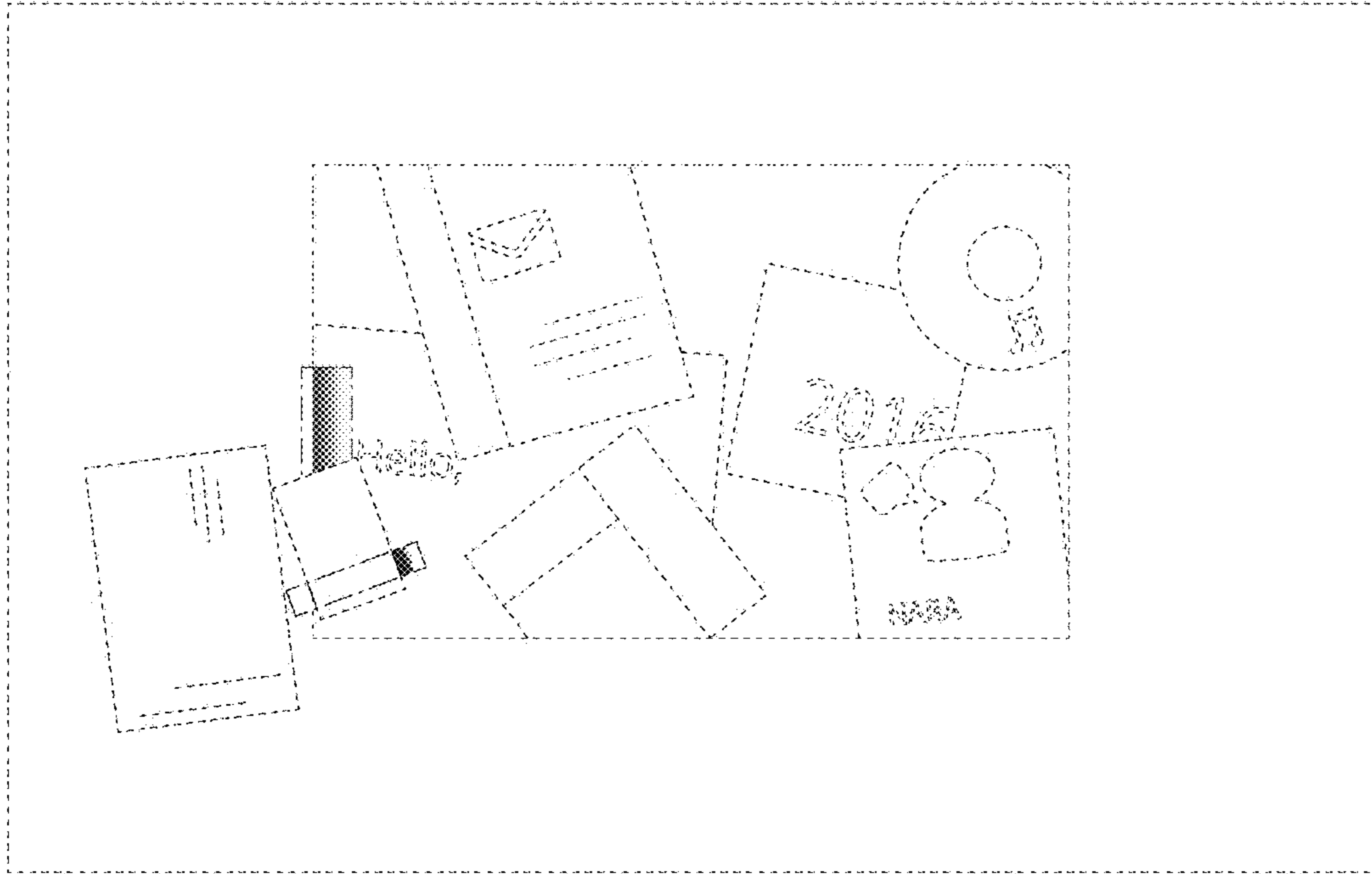


FIG.12

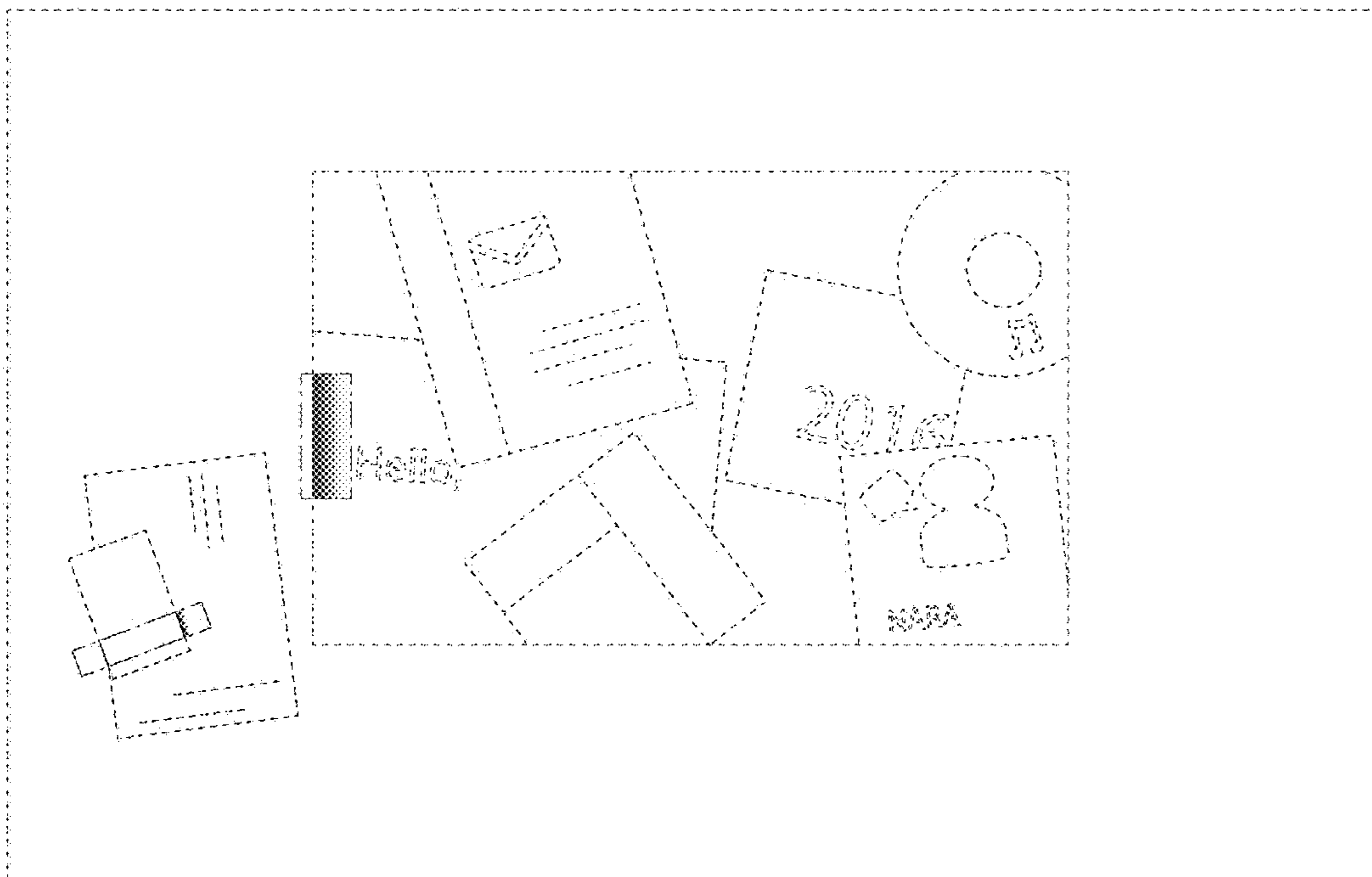


FIG.13

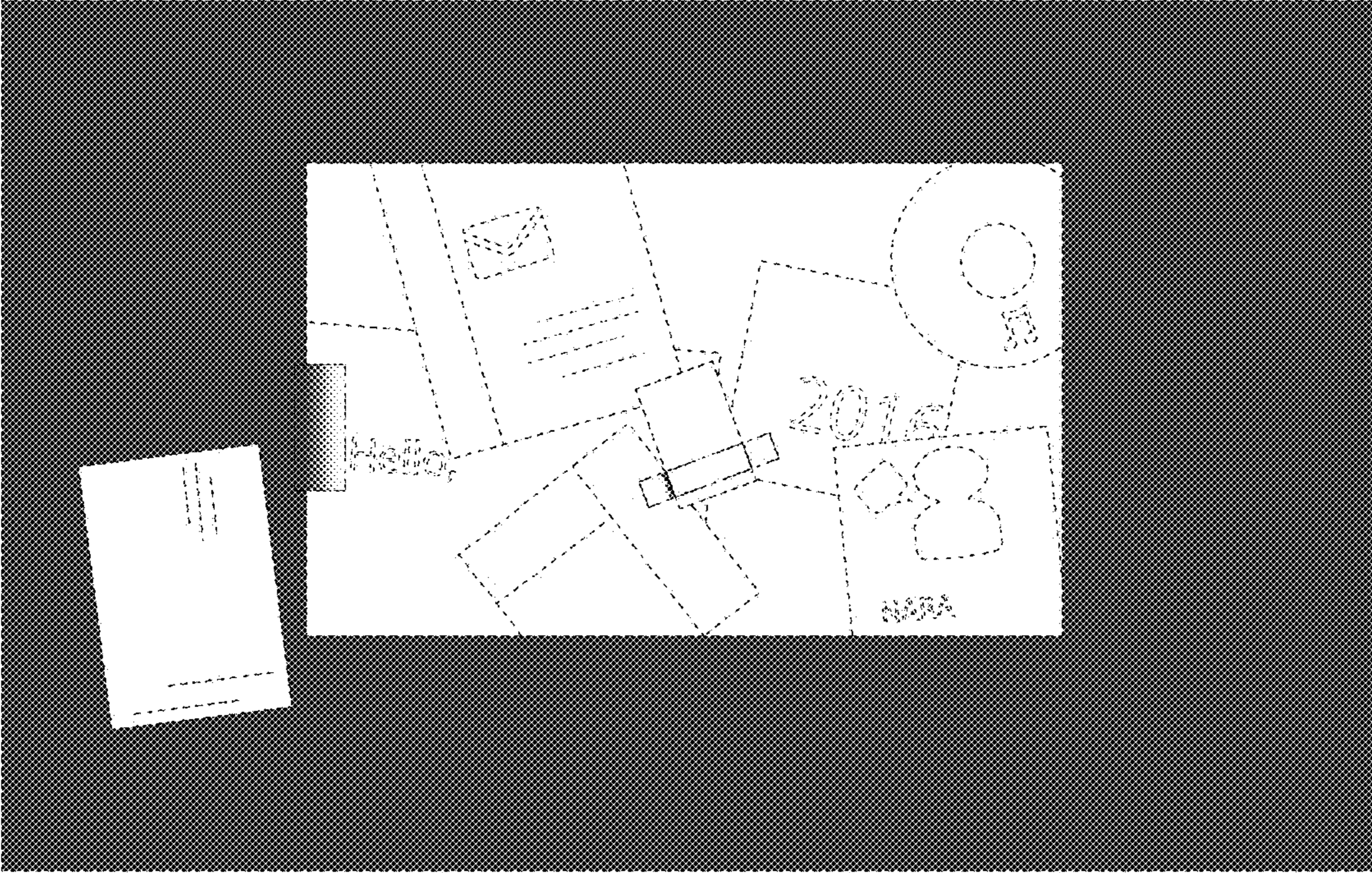


FIG.14

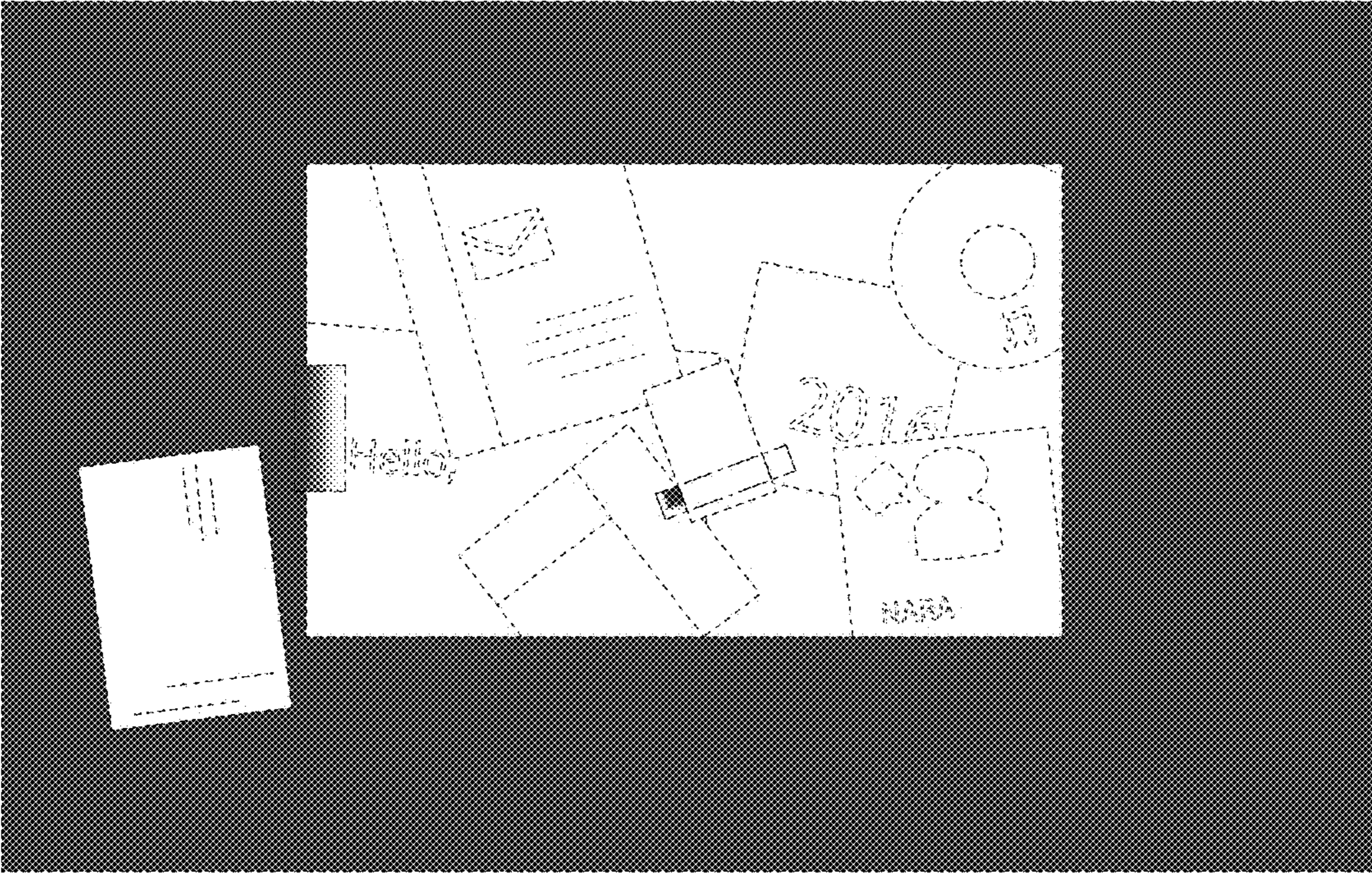


FIG.15

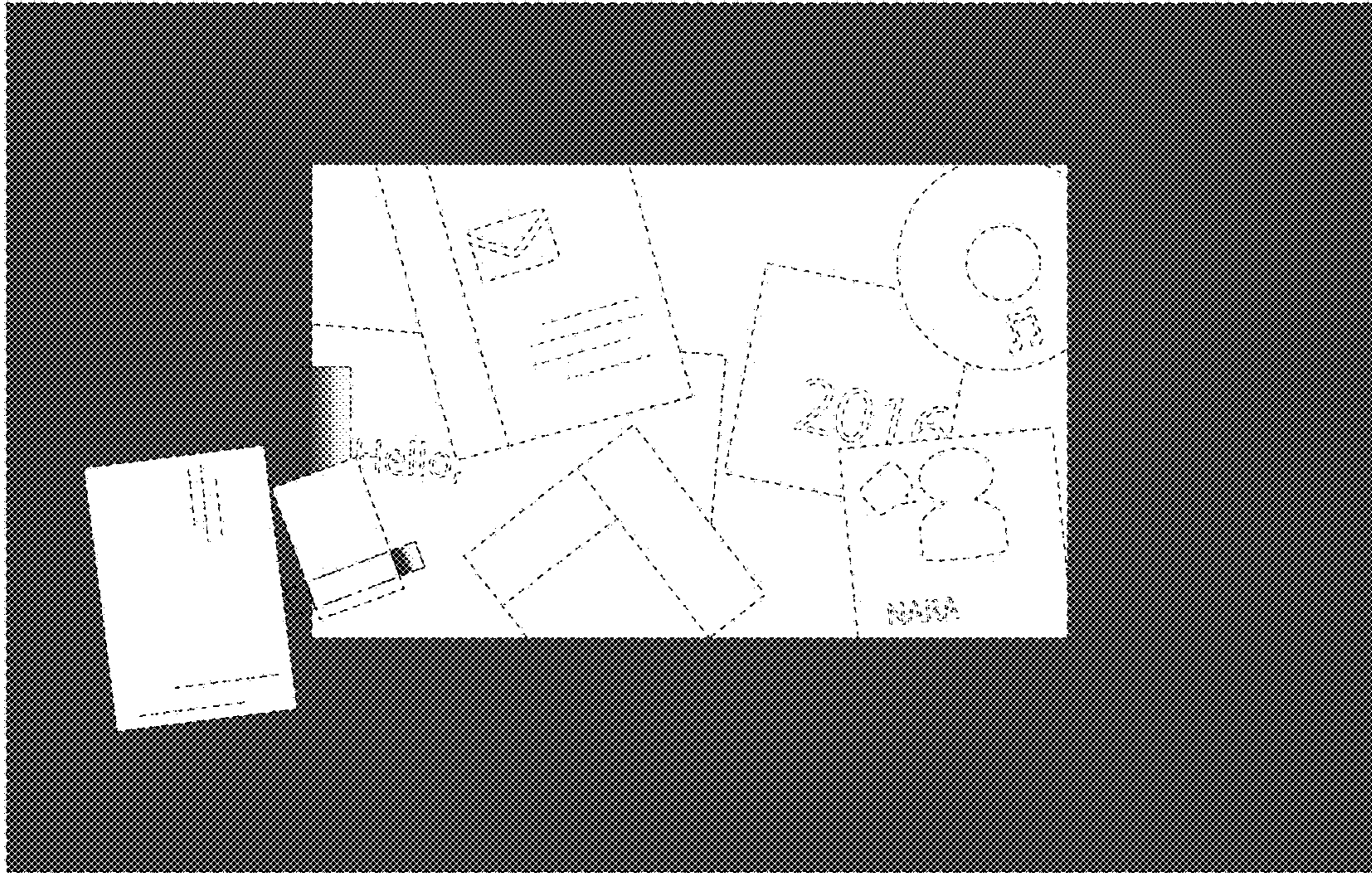


FIG.16

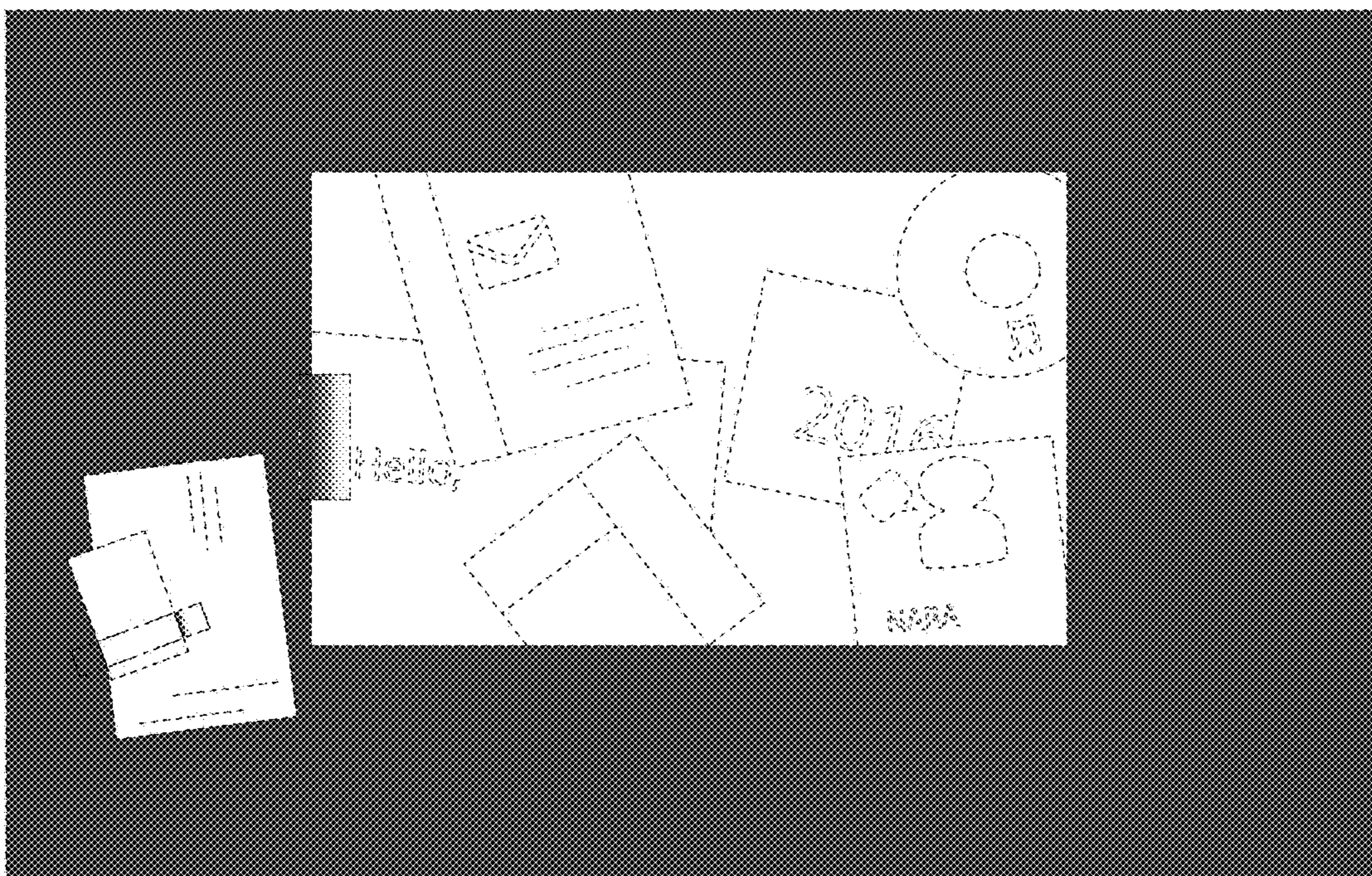


FIG.17

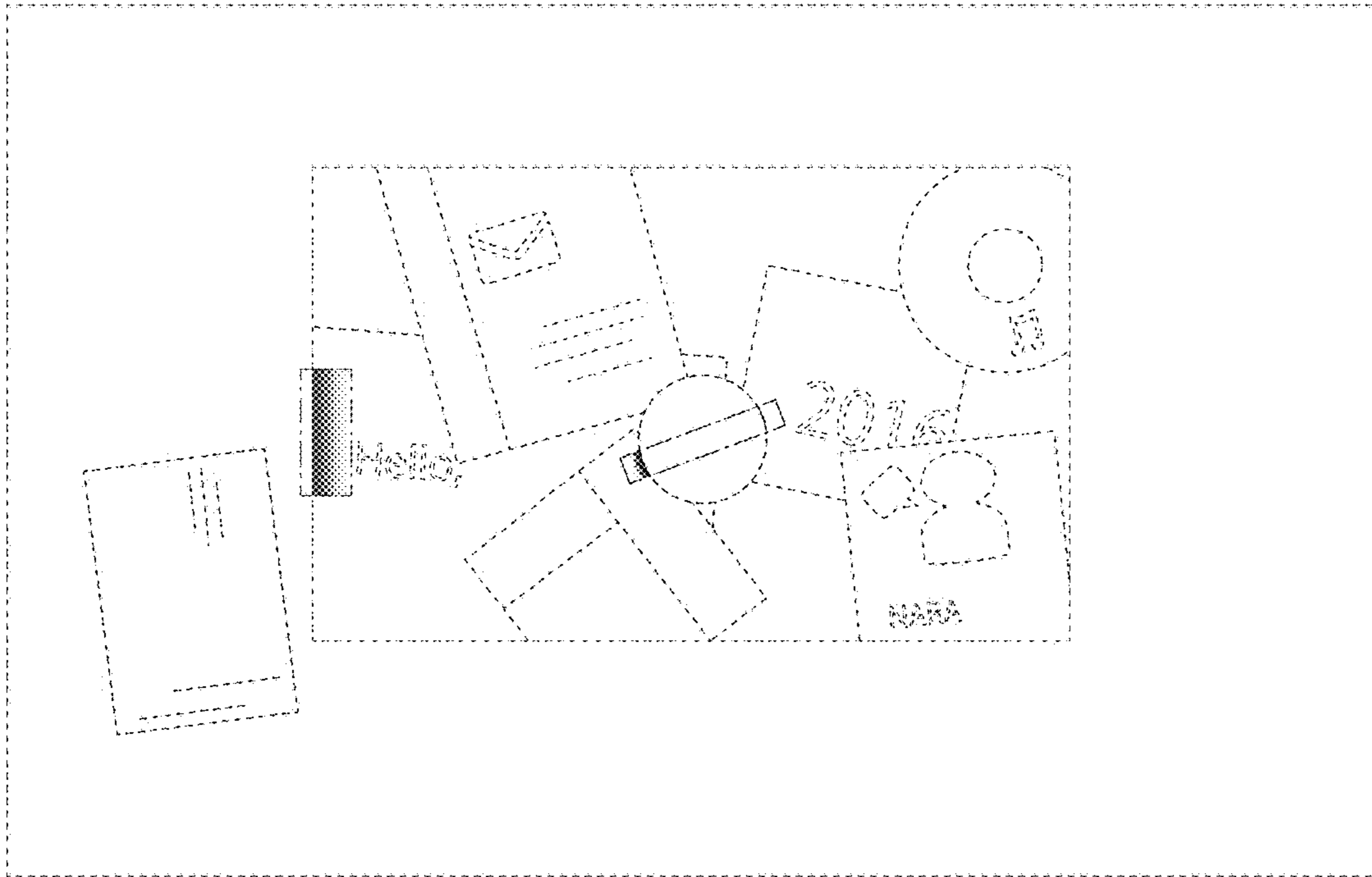


FIG.18

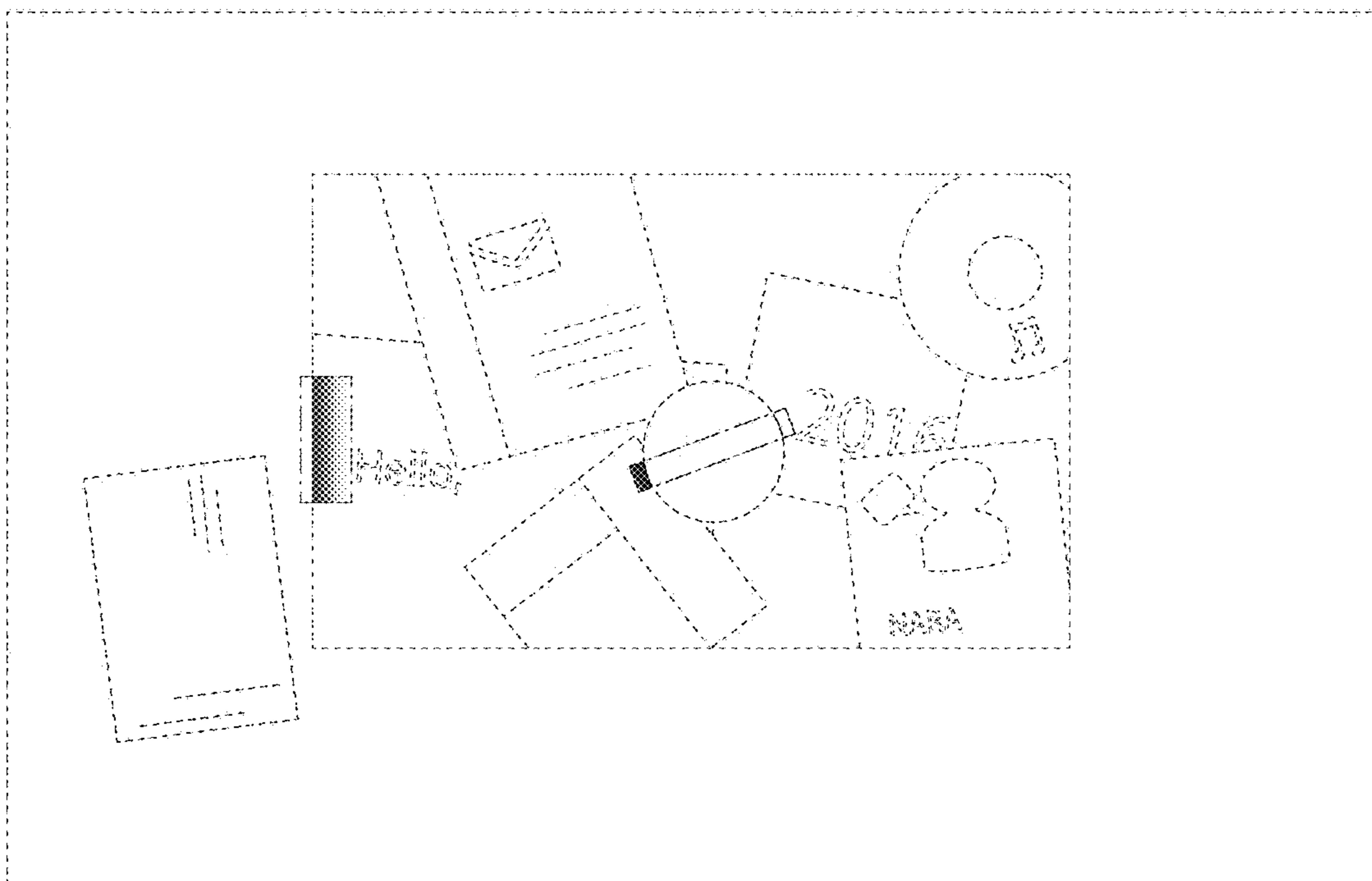


FIG.19

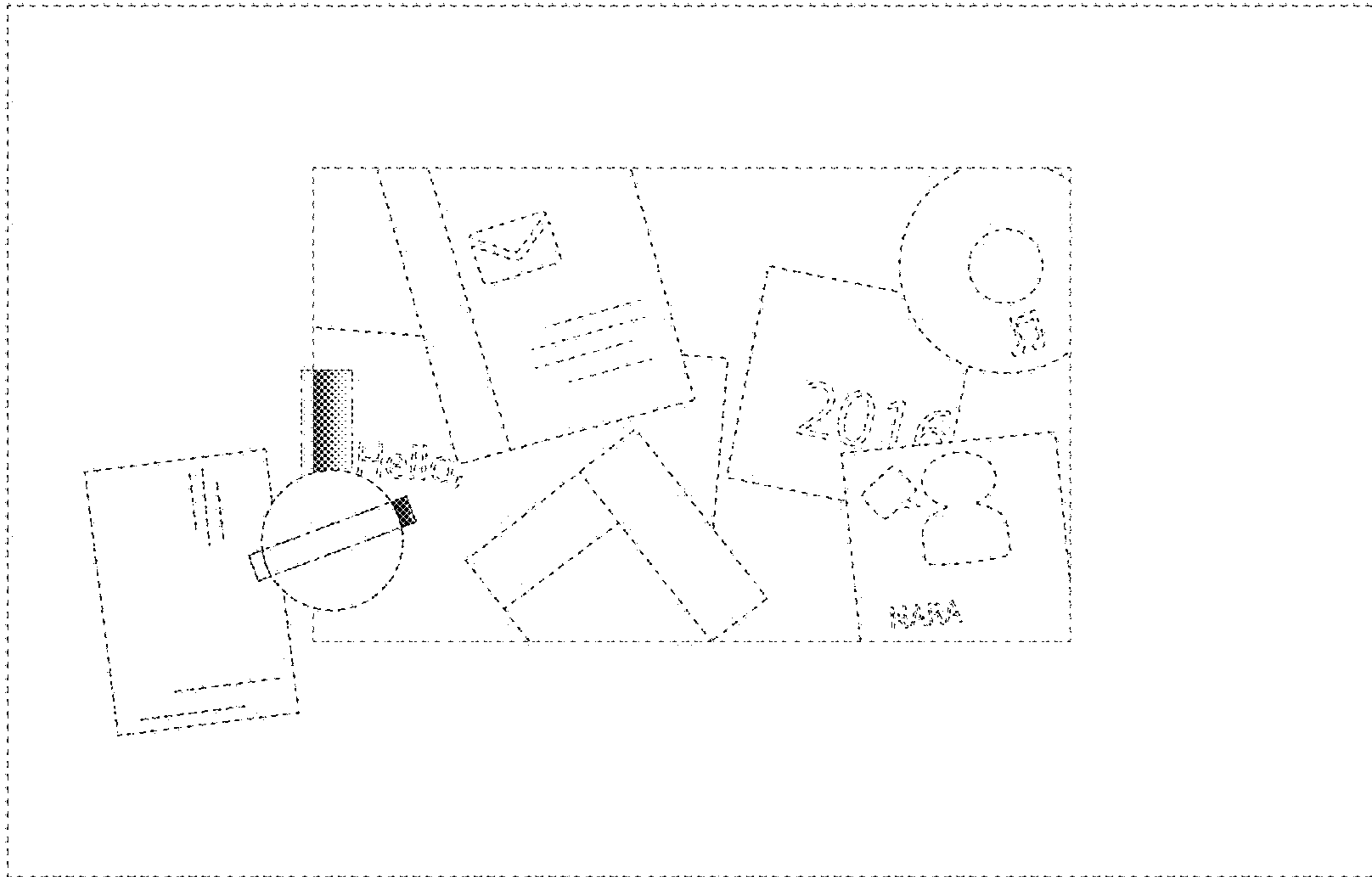


FIG.20

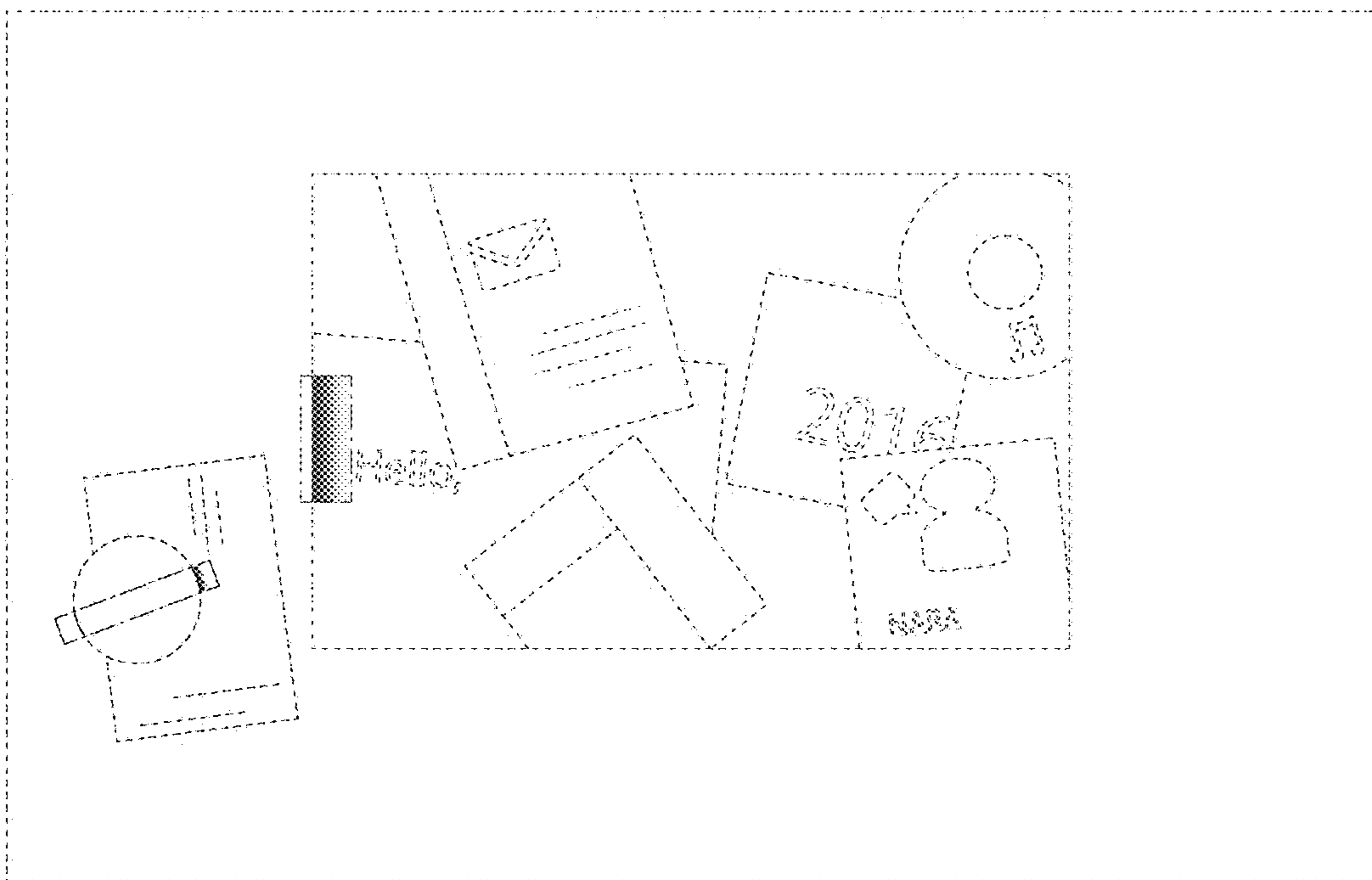


FIG.21

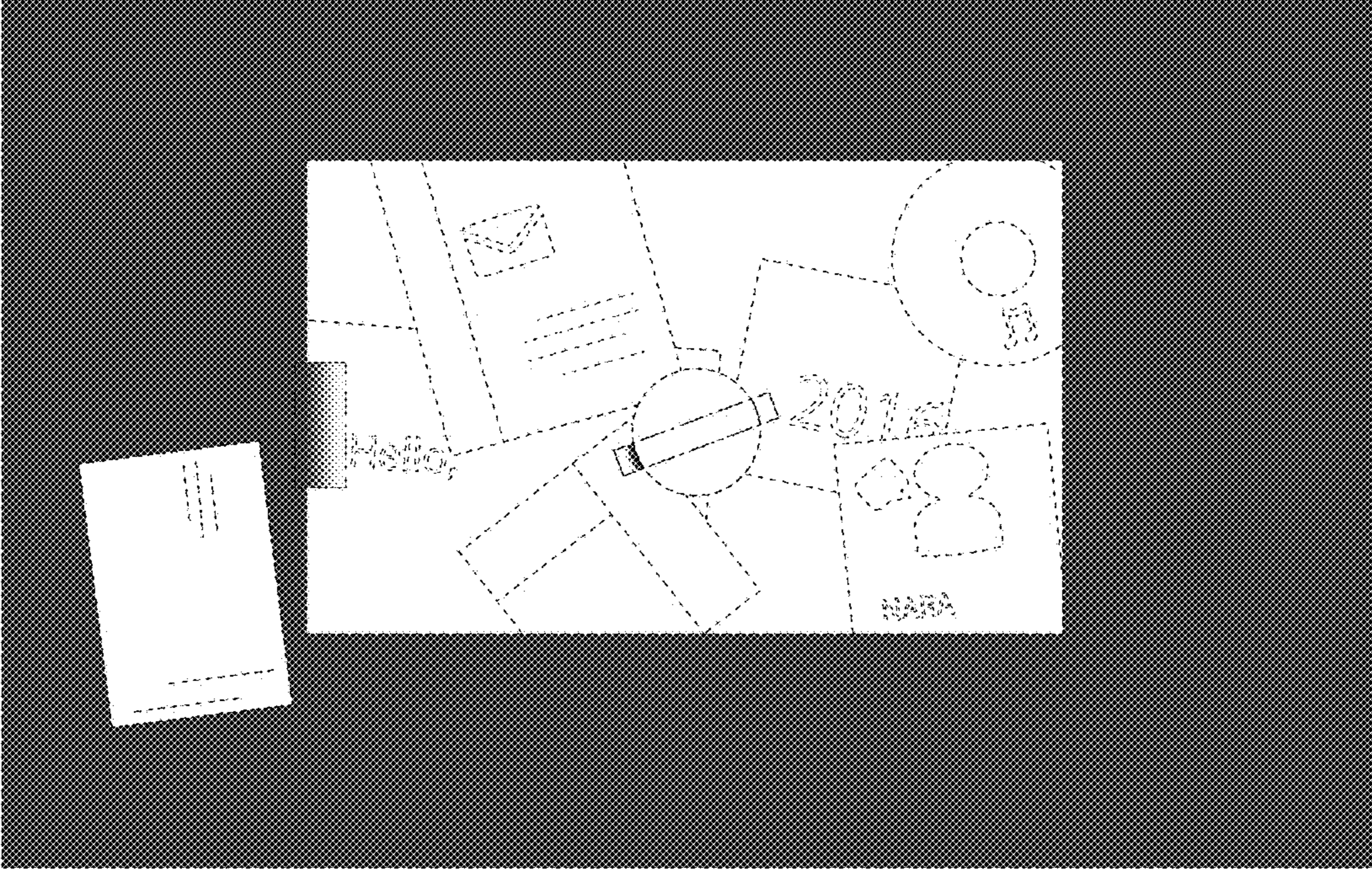


FIG.22

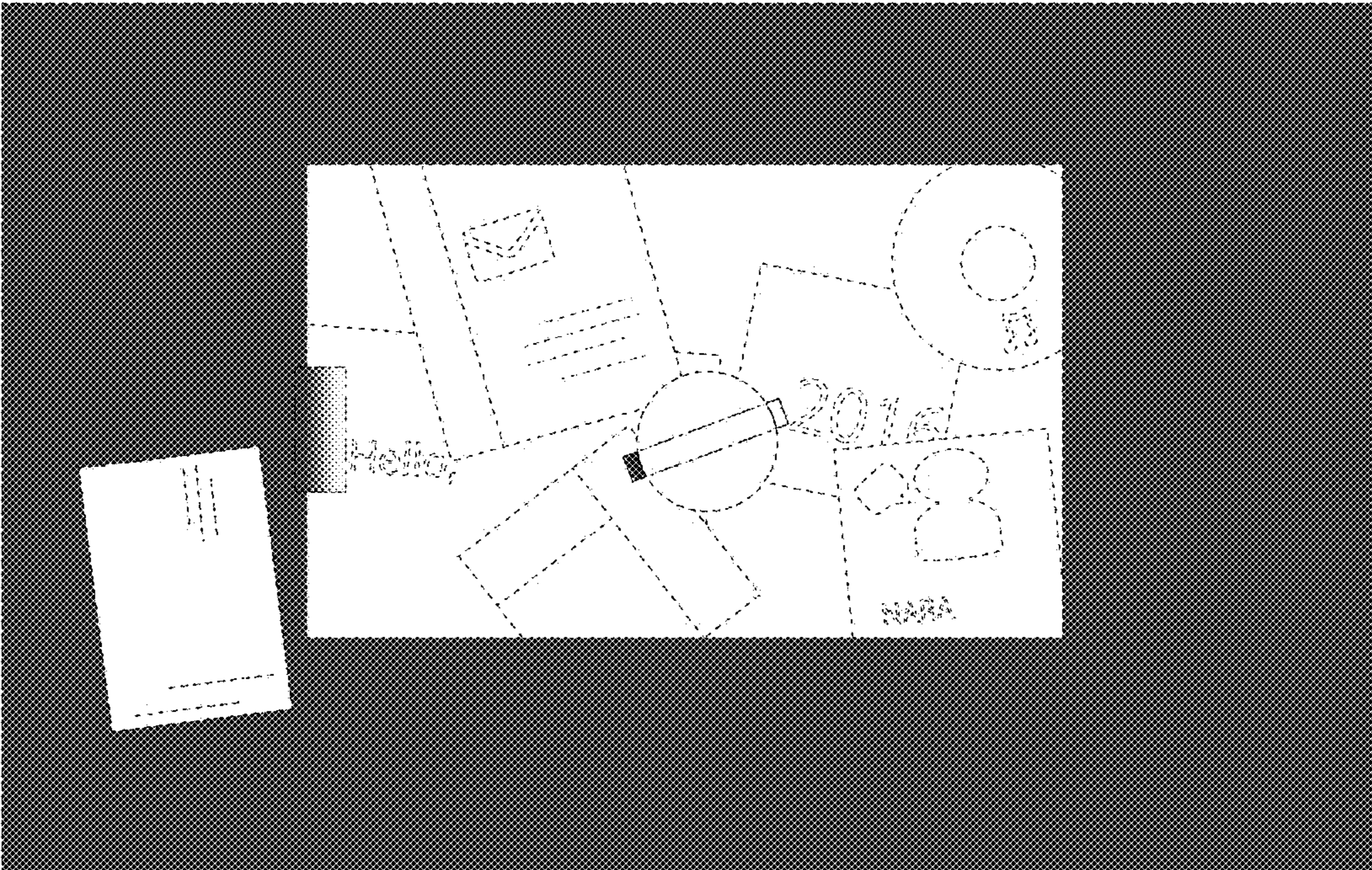


FIG.23

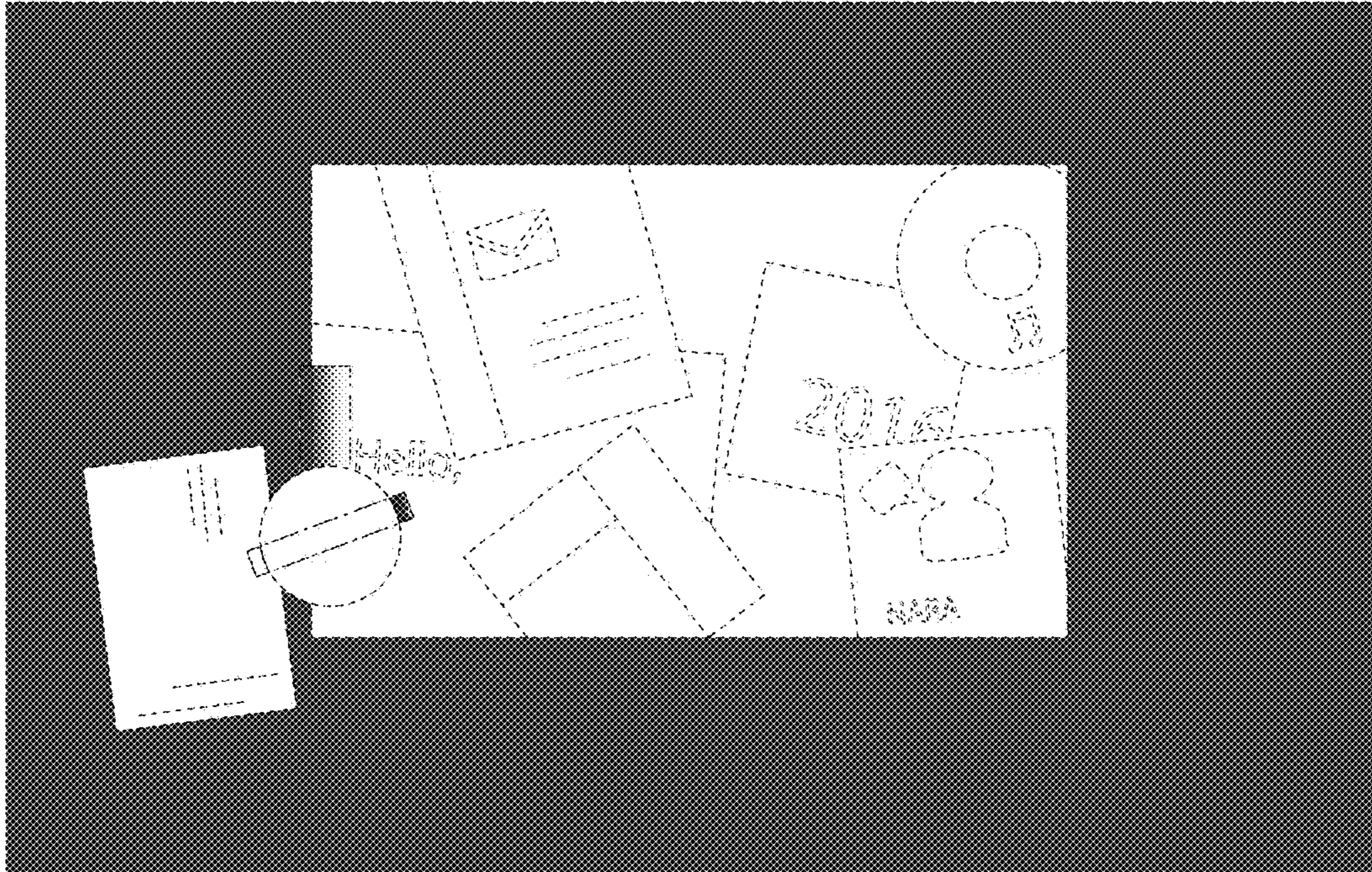


FIG.24

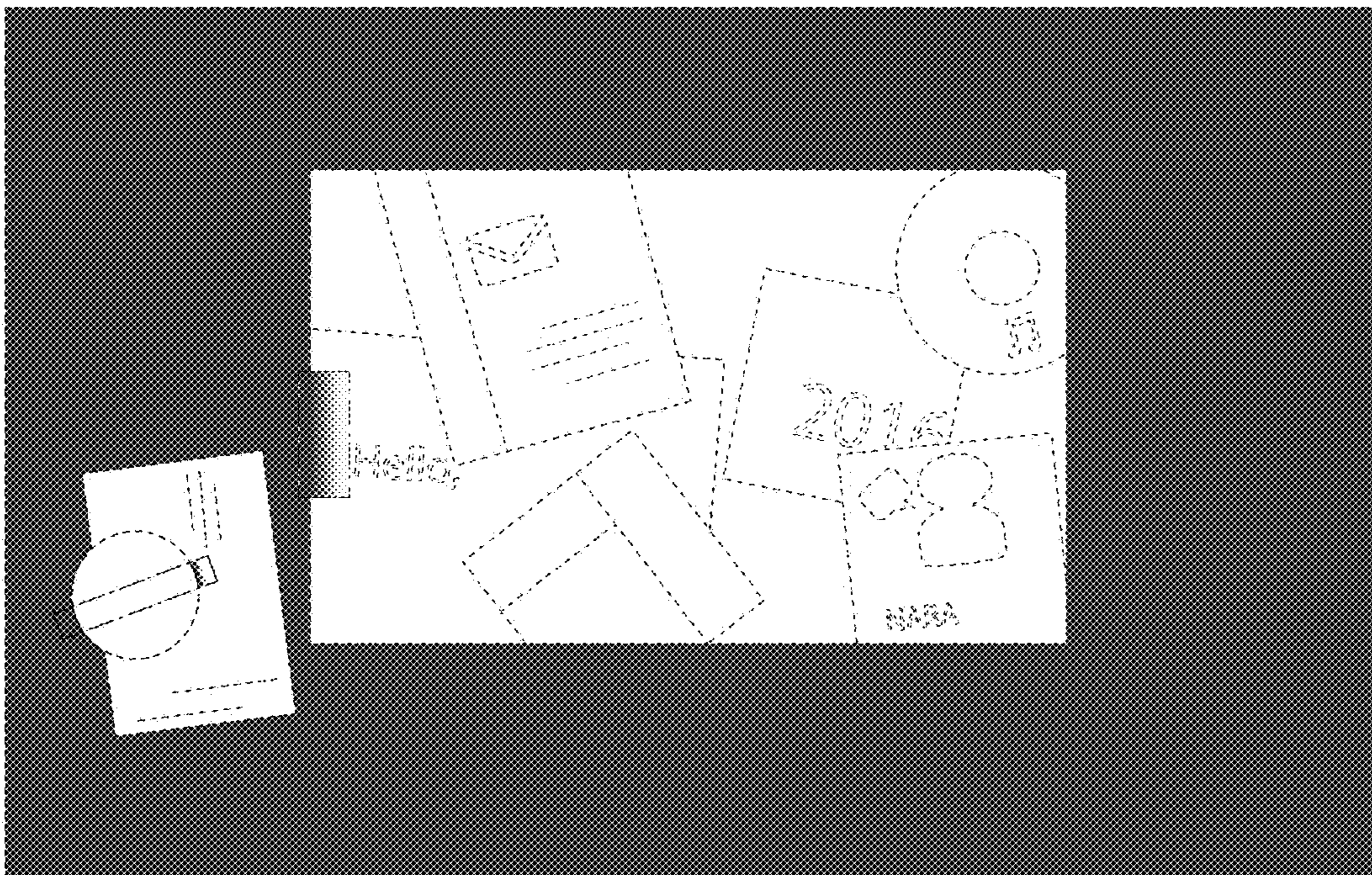


FIG.25

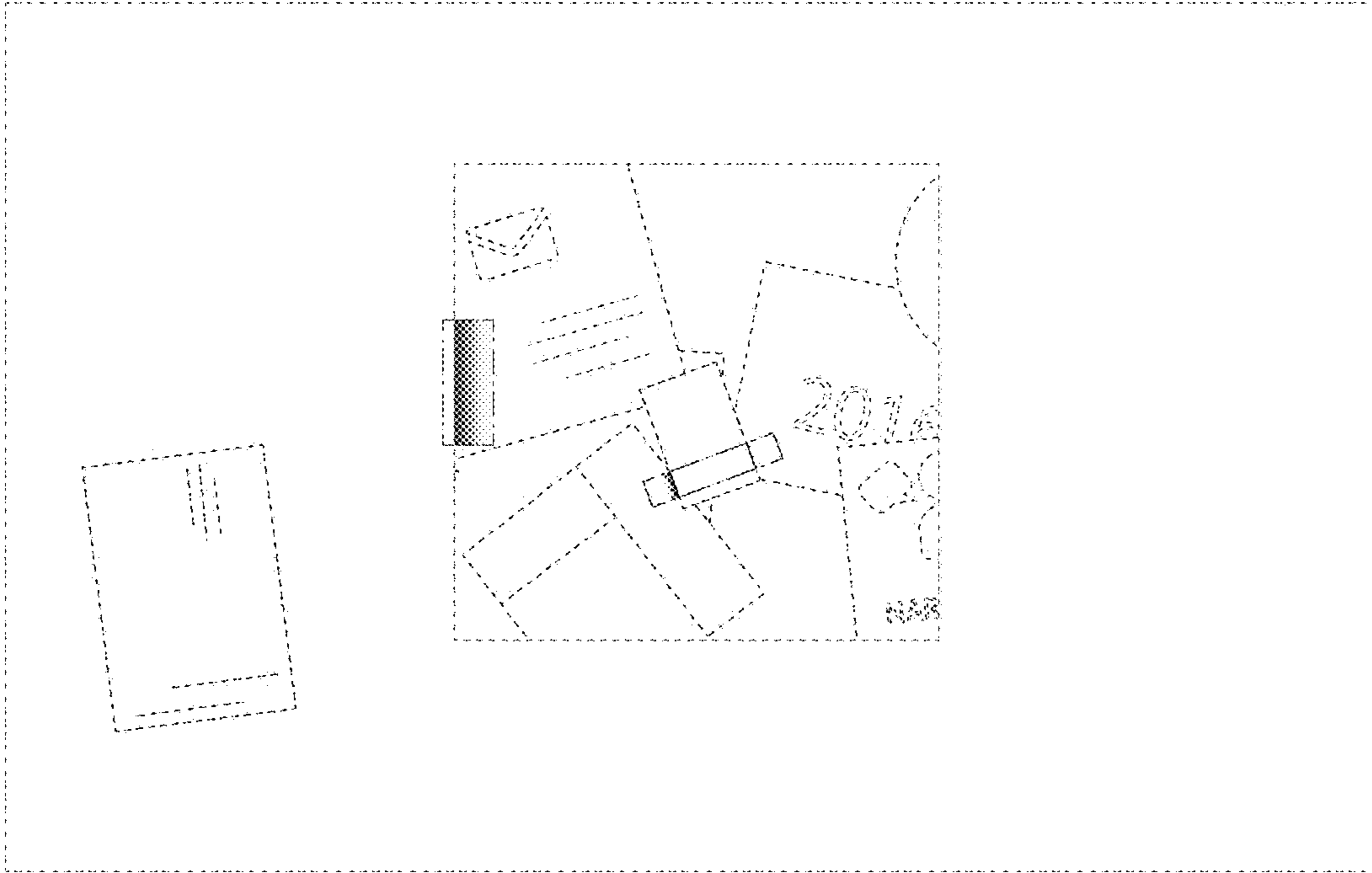


FIG.26

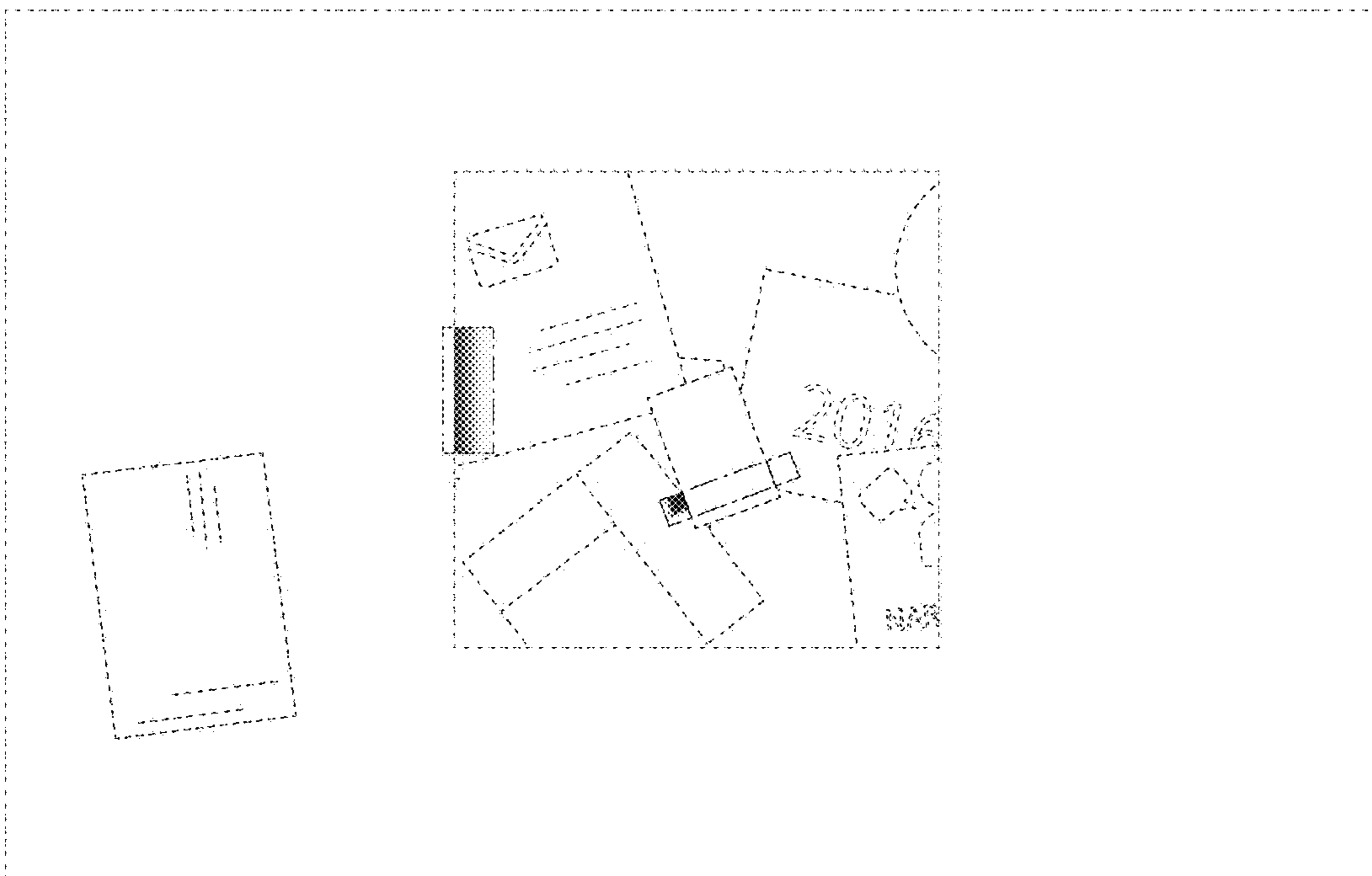


FIG.27

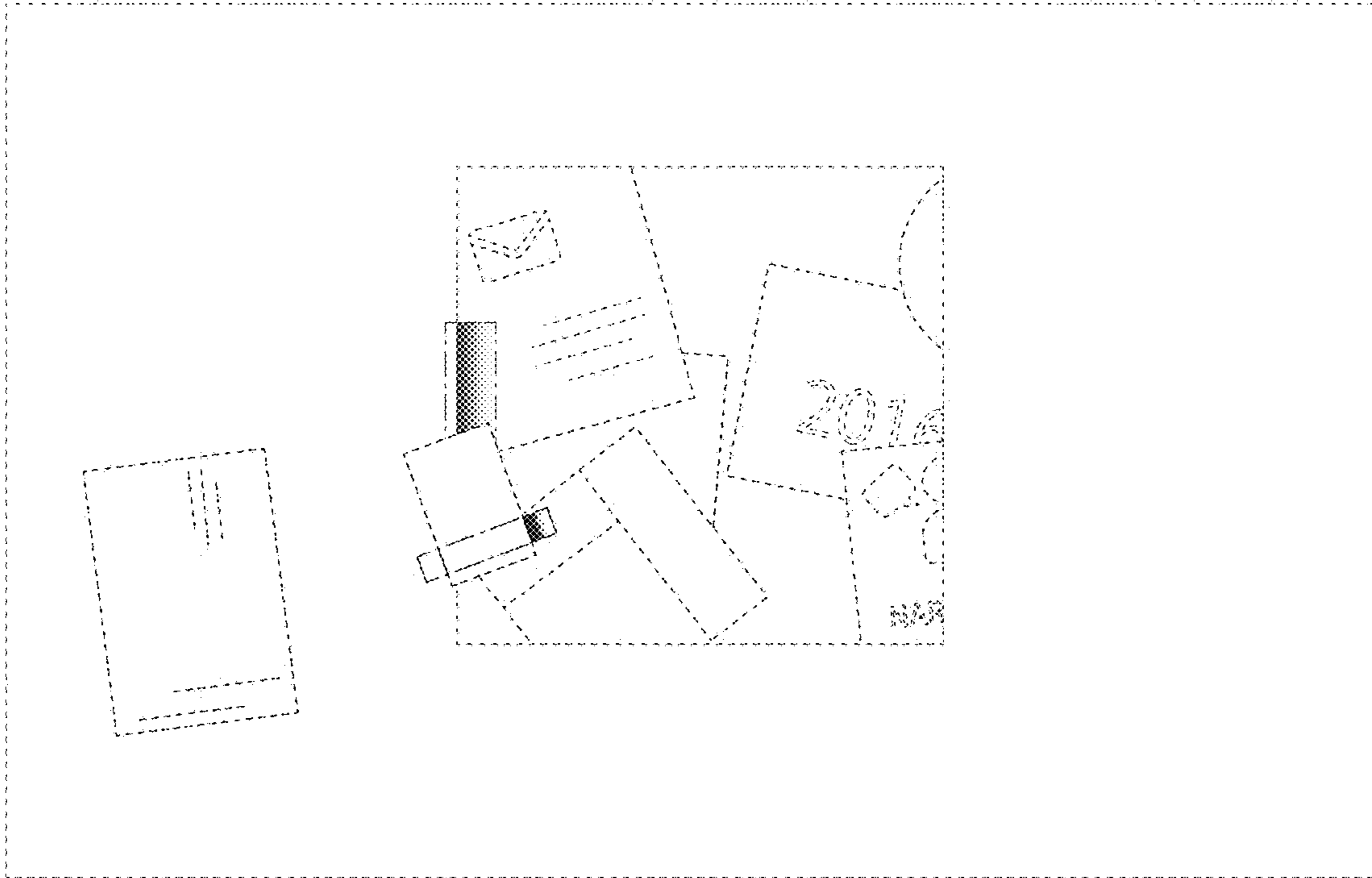


FIG.28

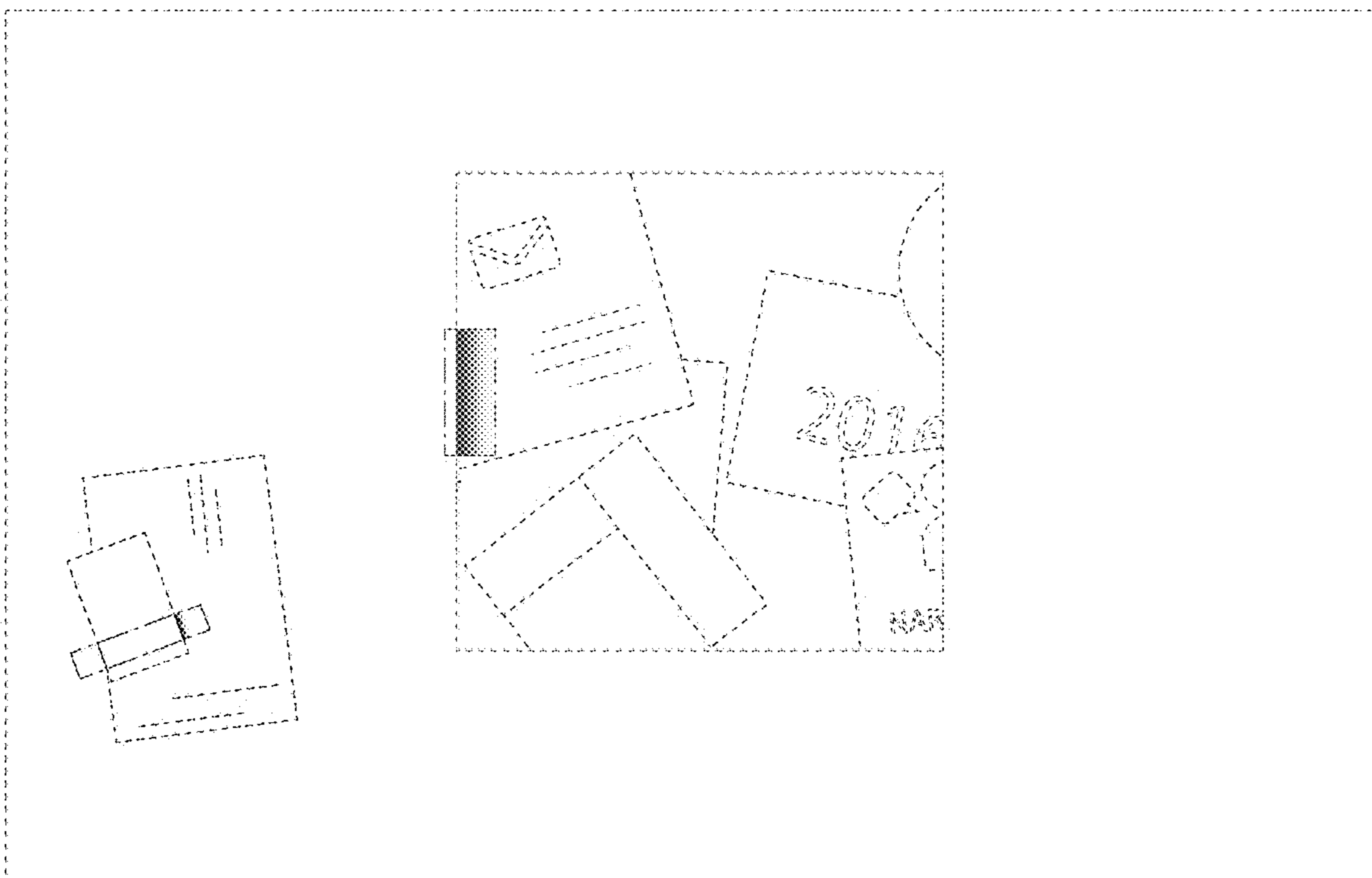


FIG.29

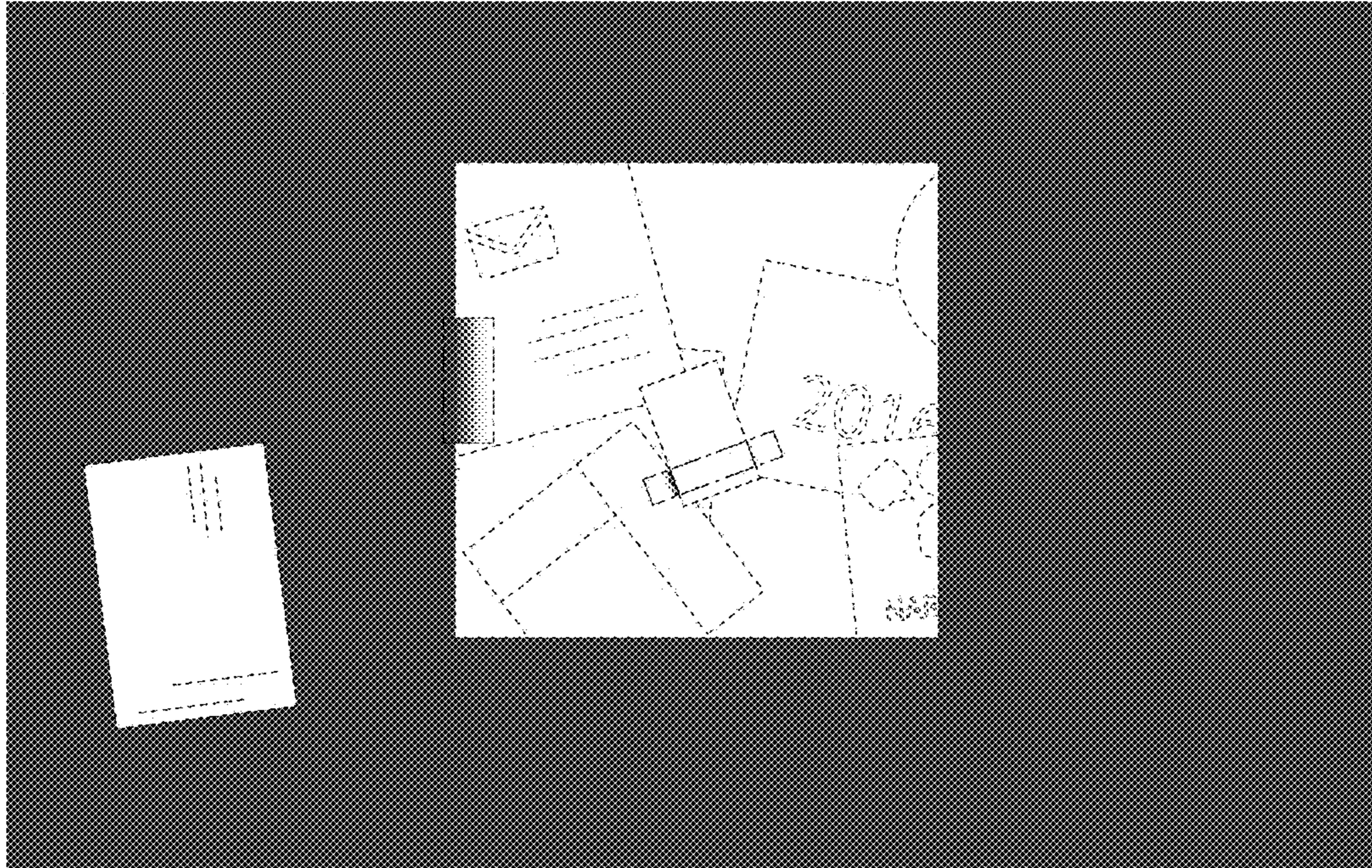


FIG.30

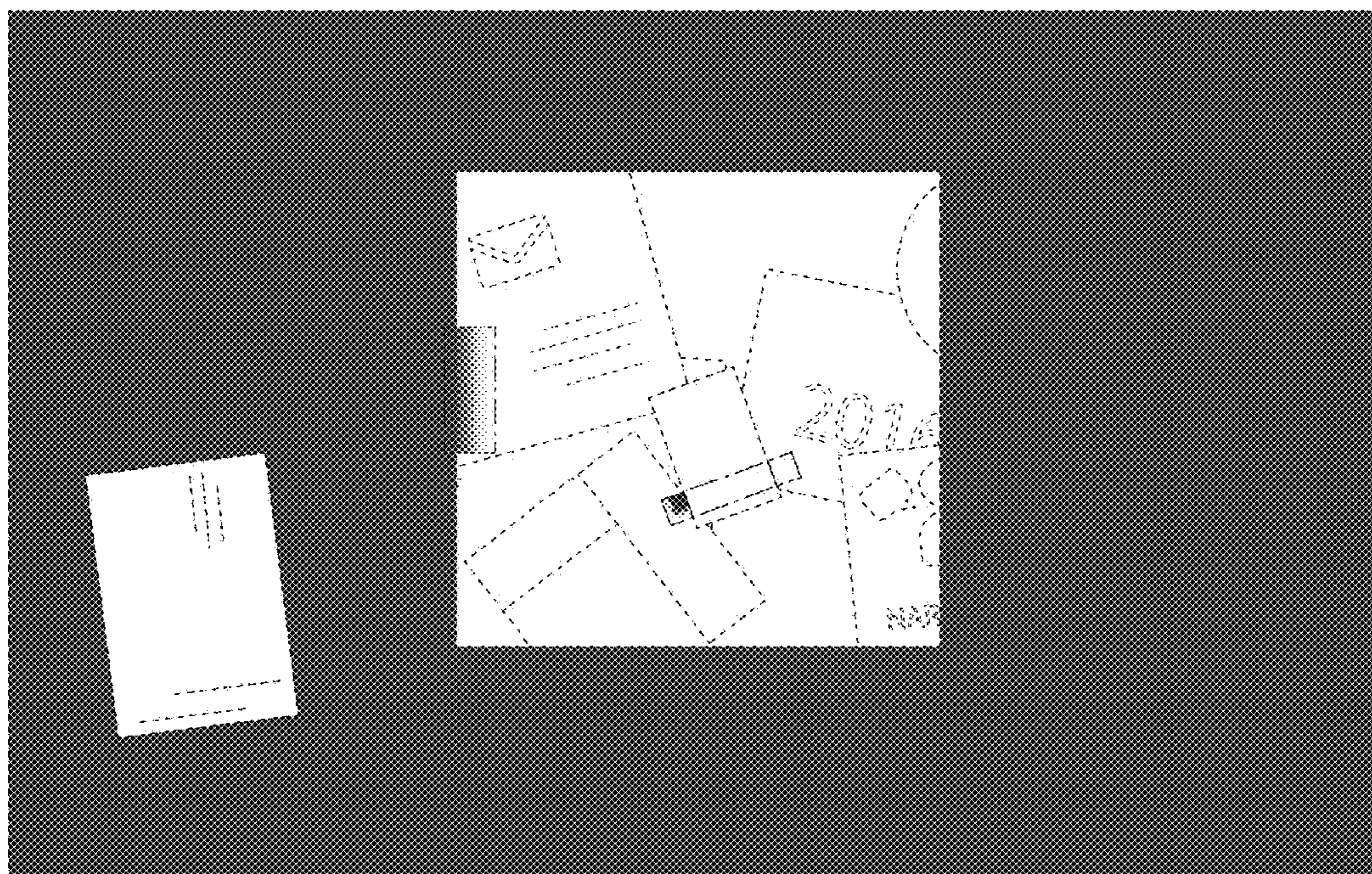


FIG.31

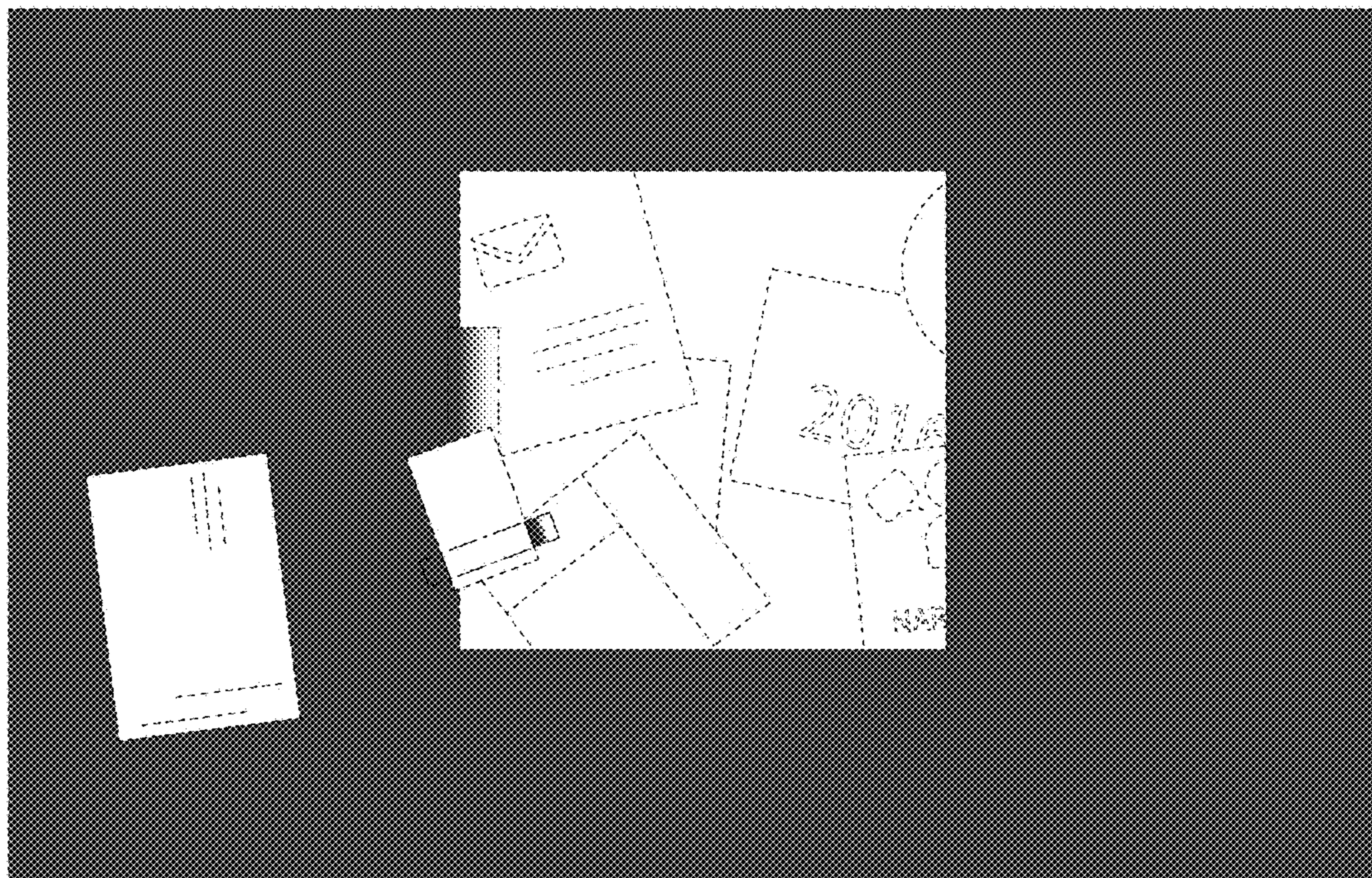


FIG.32

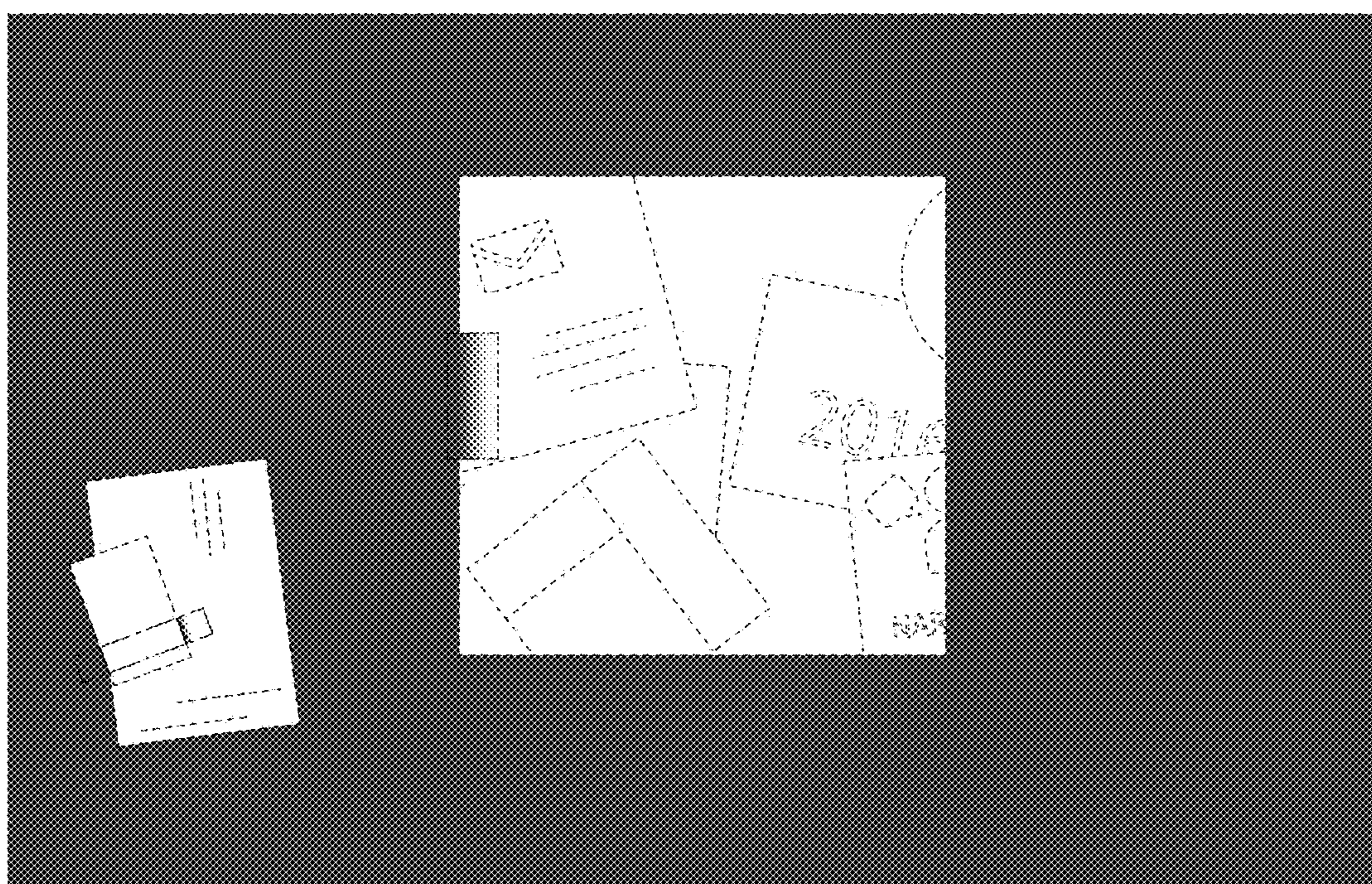


FIG.33

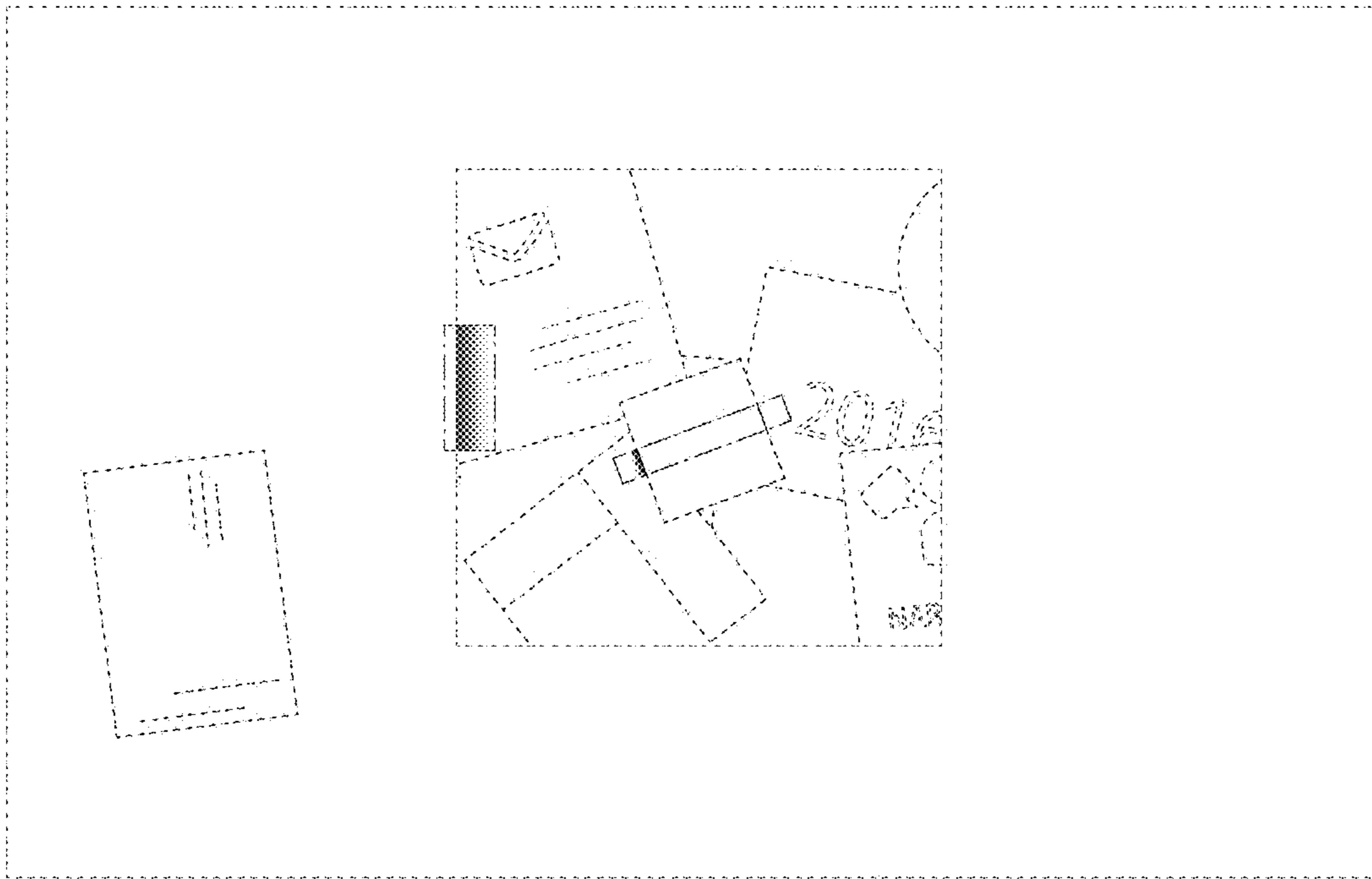


FIG.34

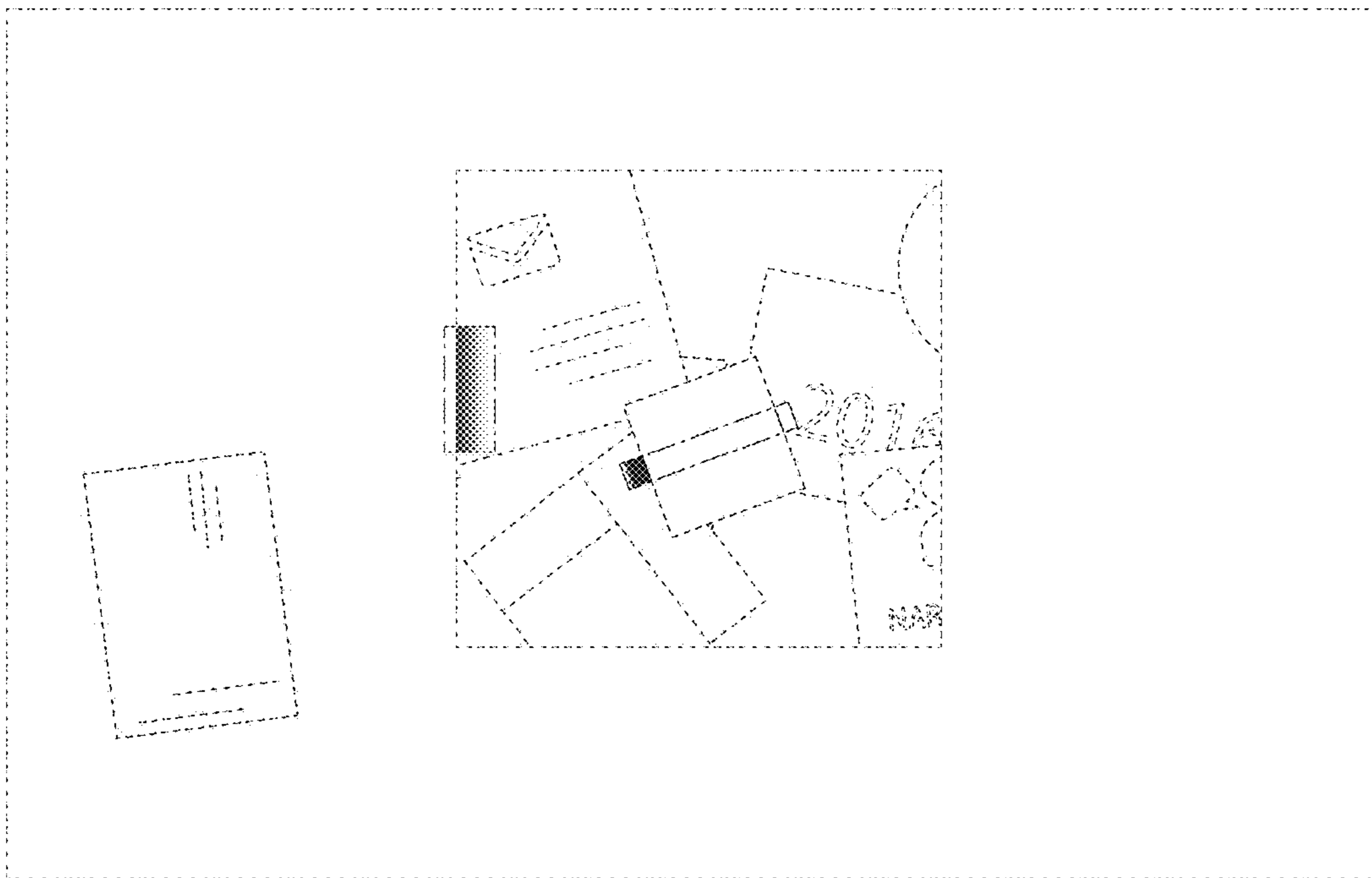


FIG.35

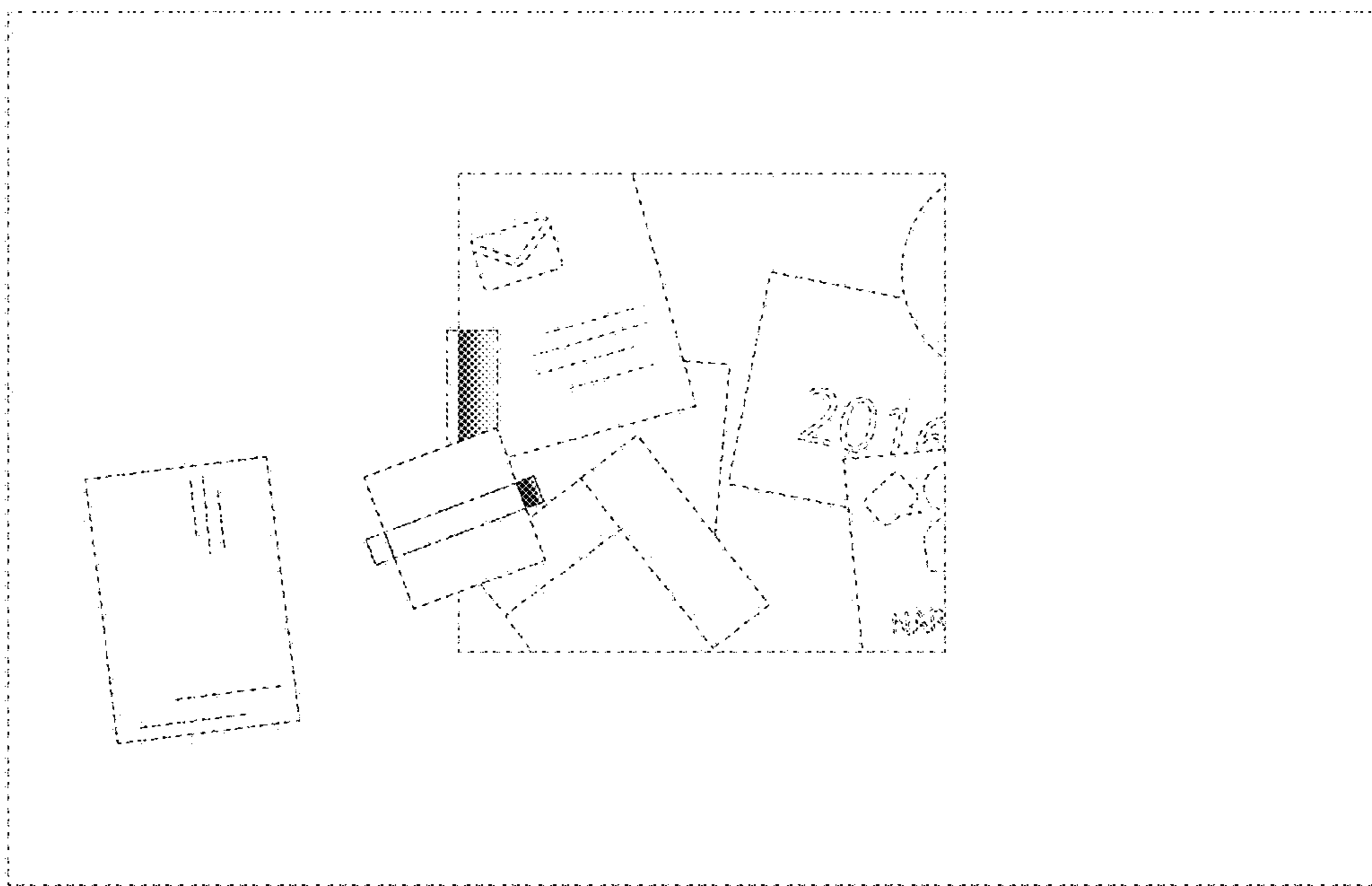


FIG.36

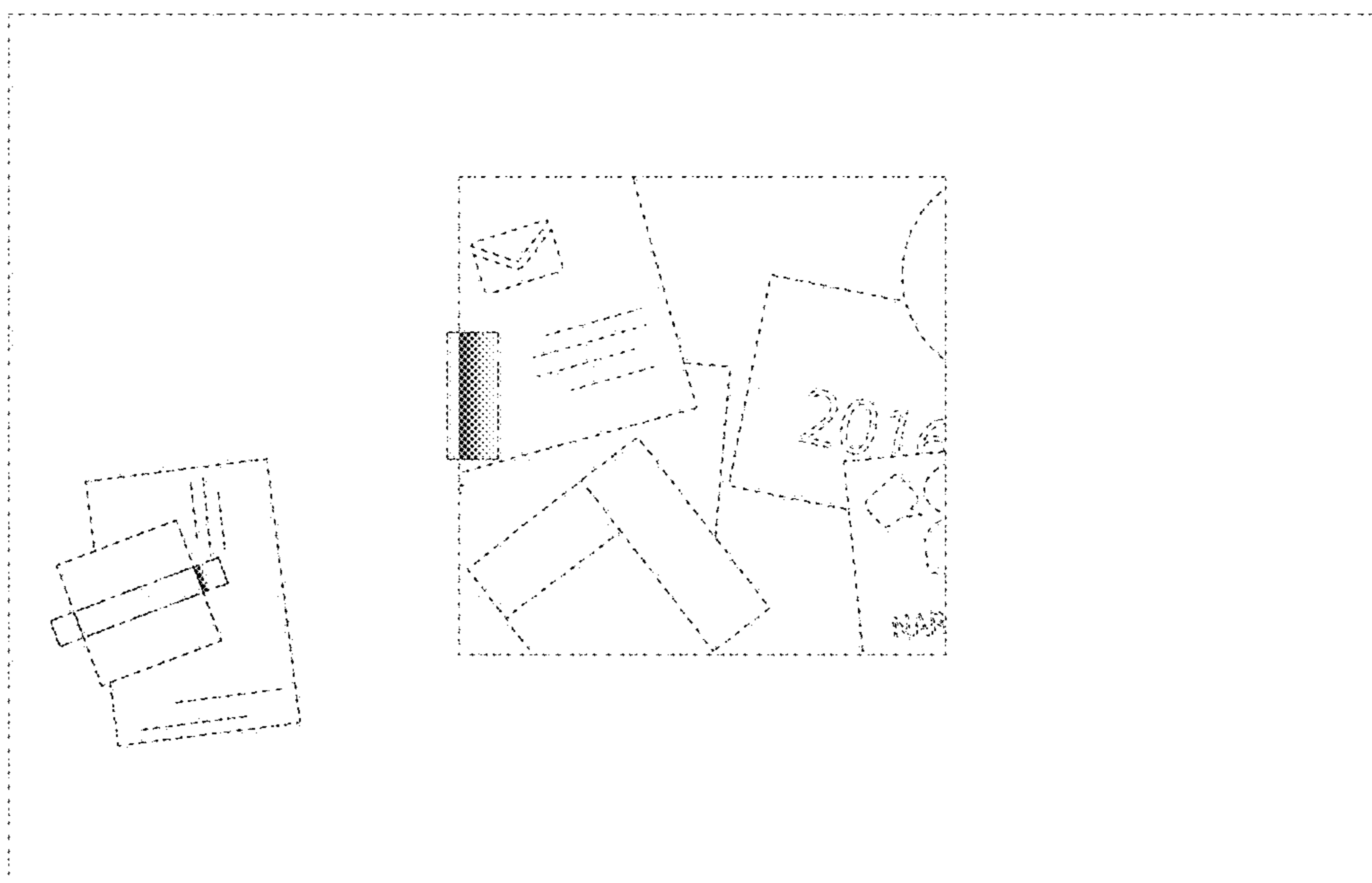


FIG.37

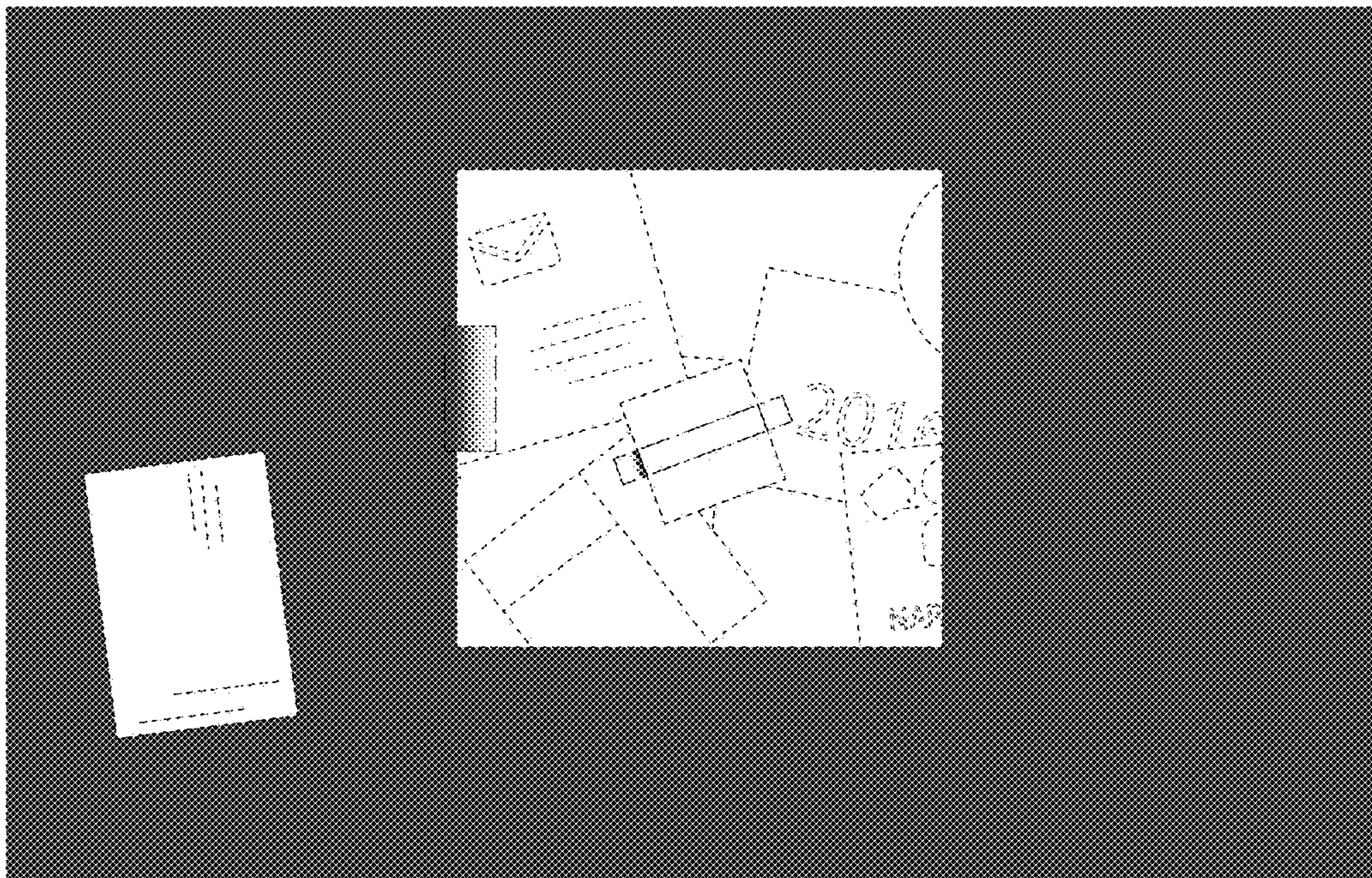


FIG.38

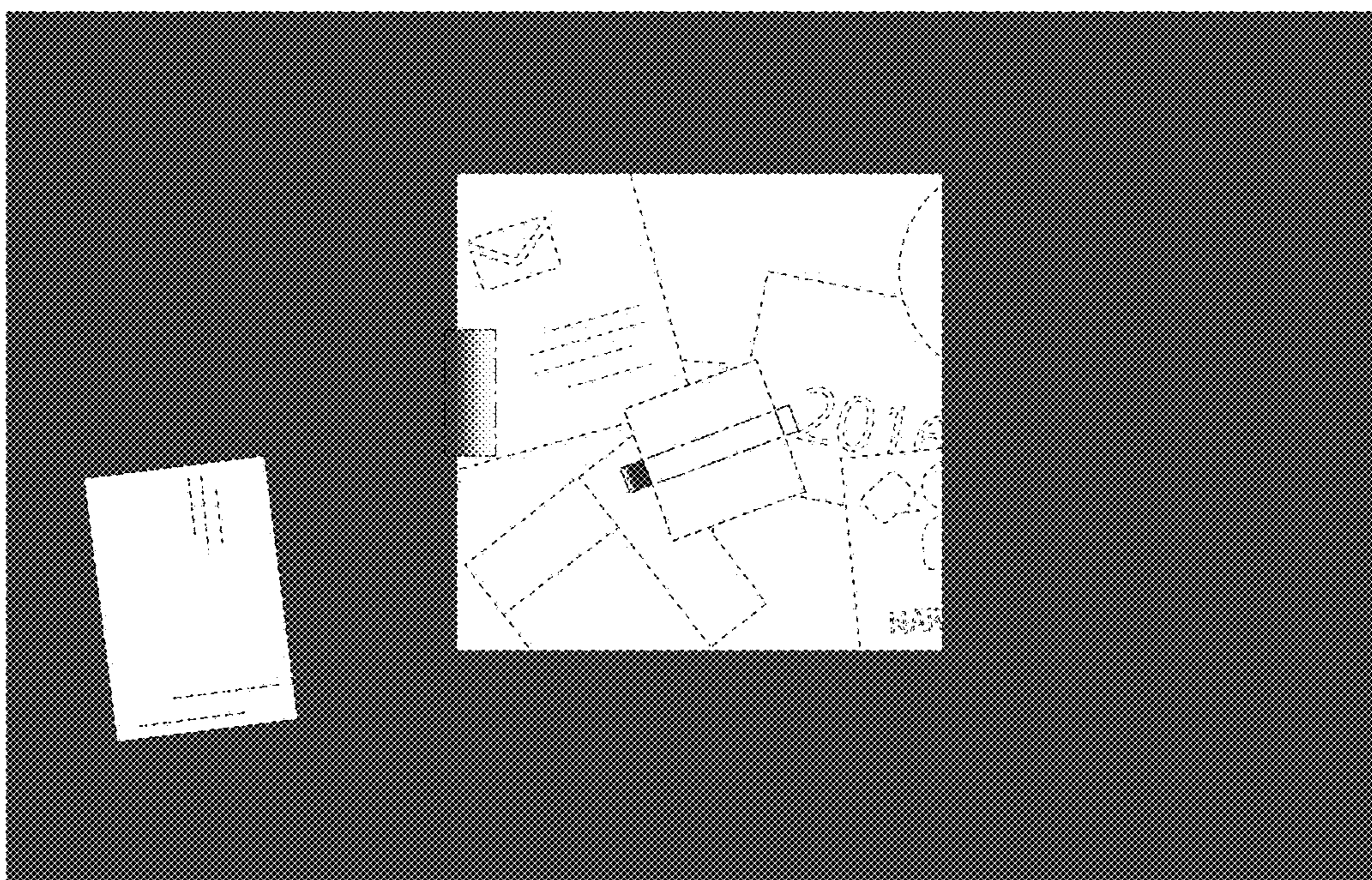


FIG.39

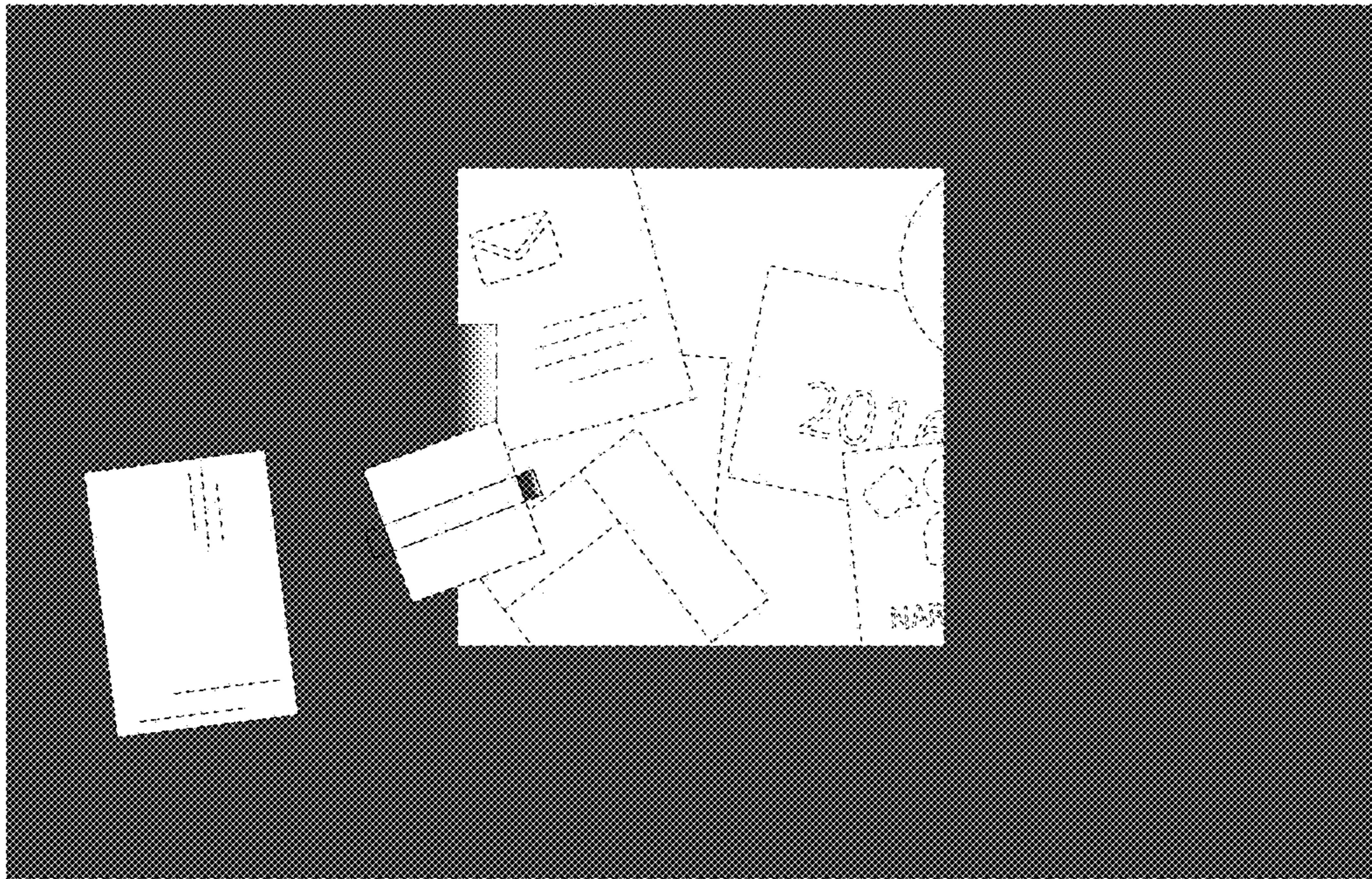


FIG.40

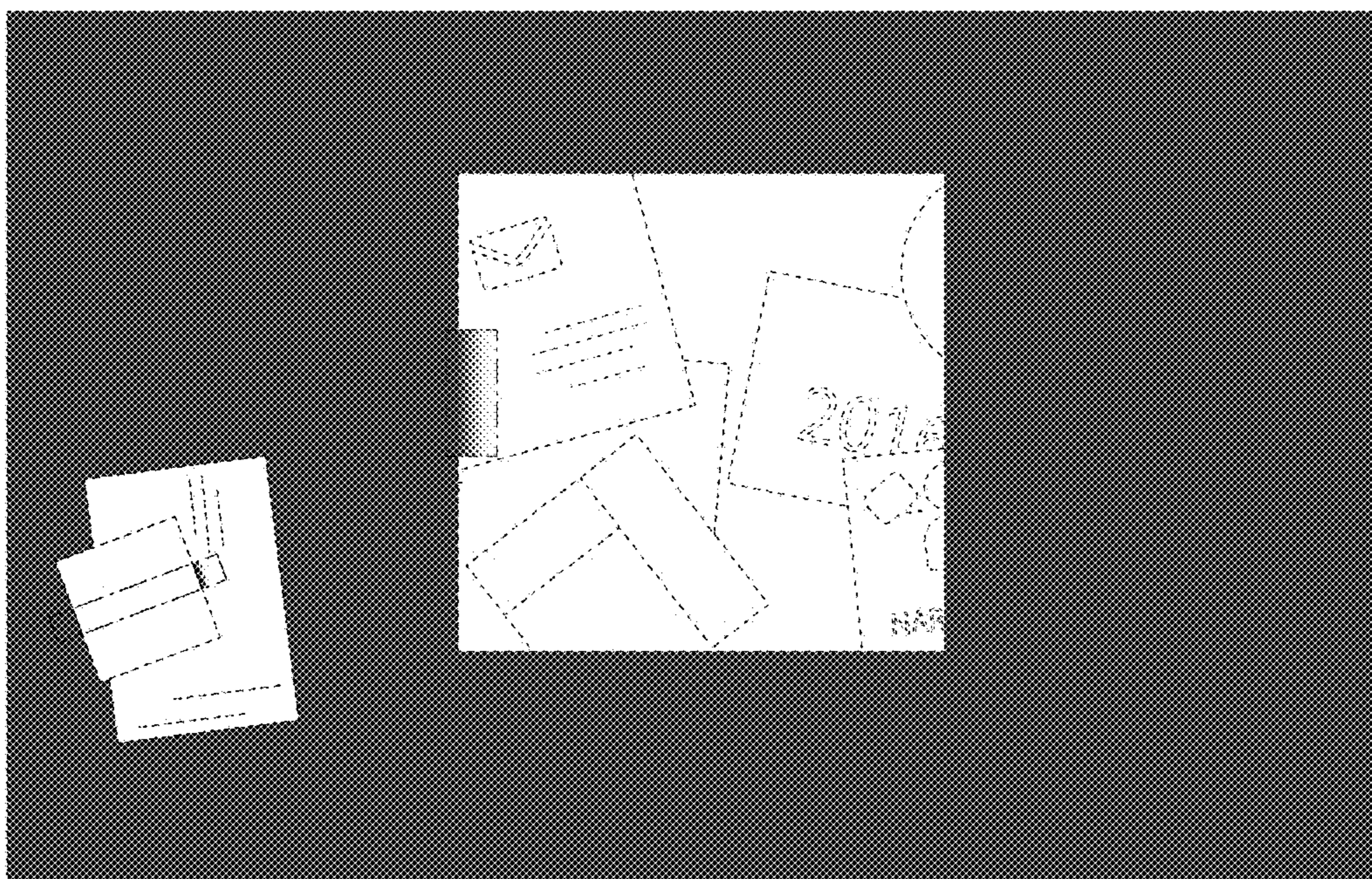


FIG.41

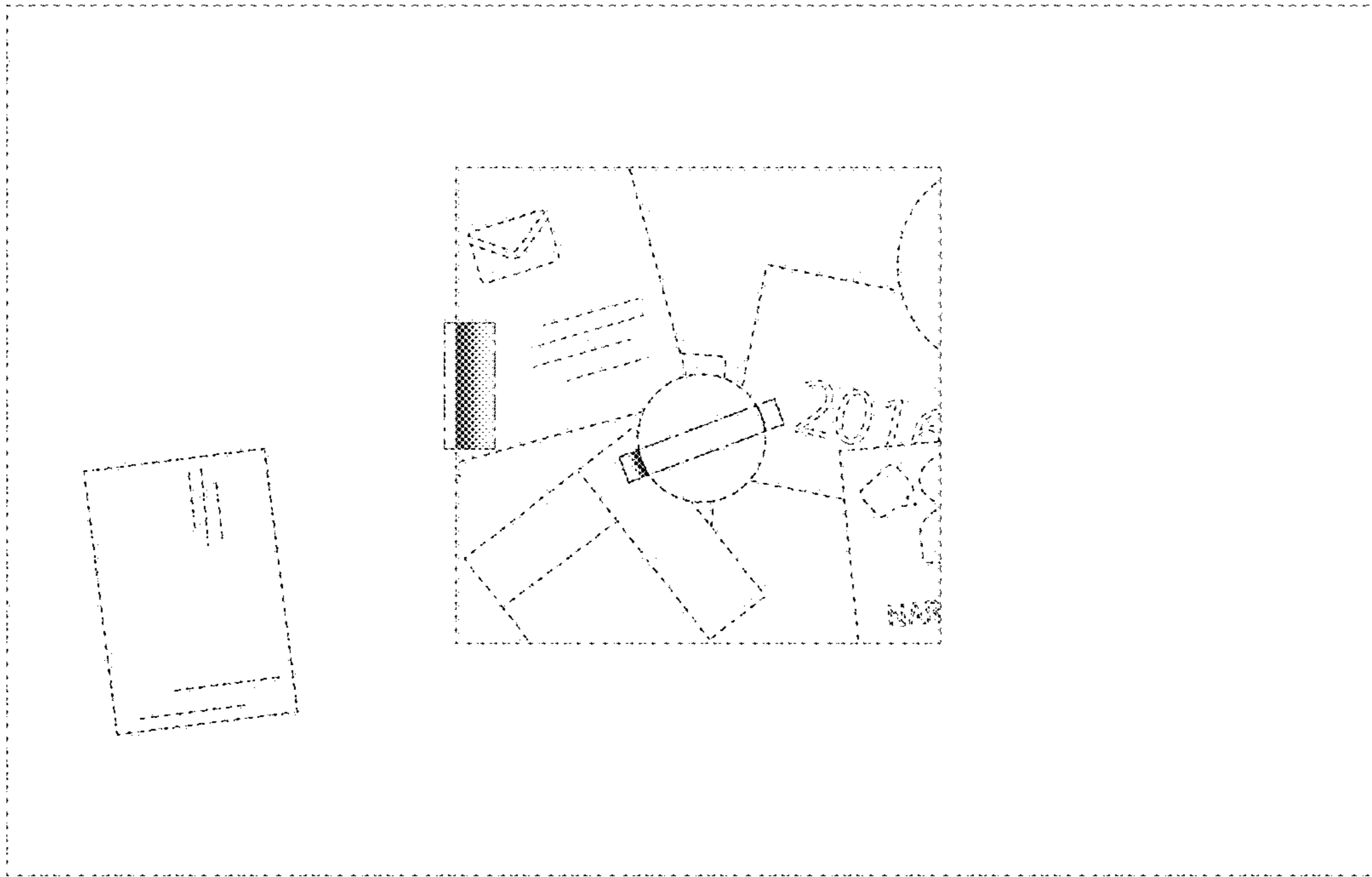


FIG.42

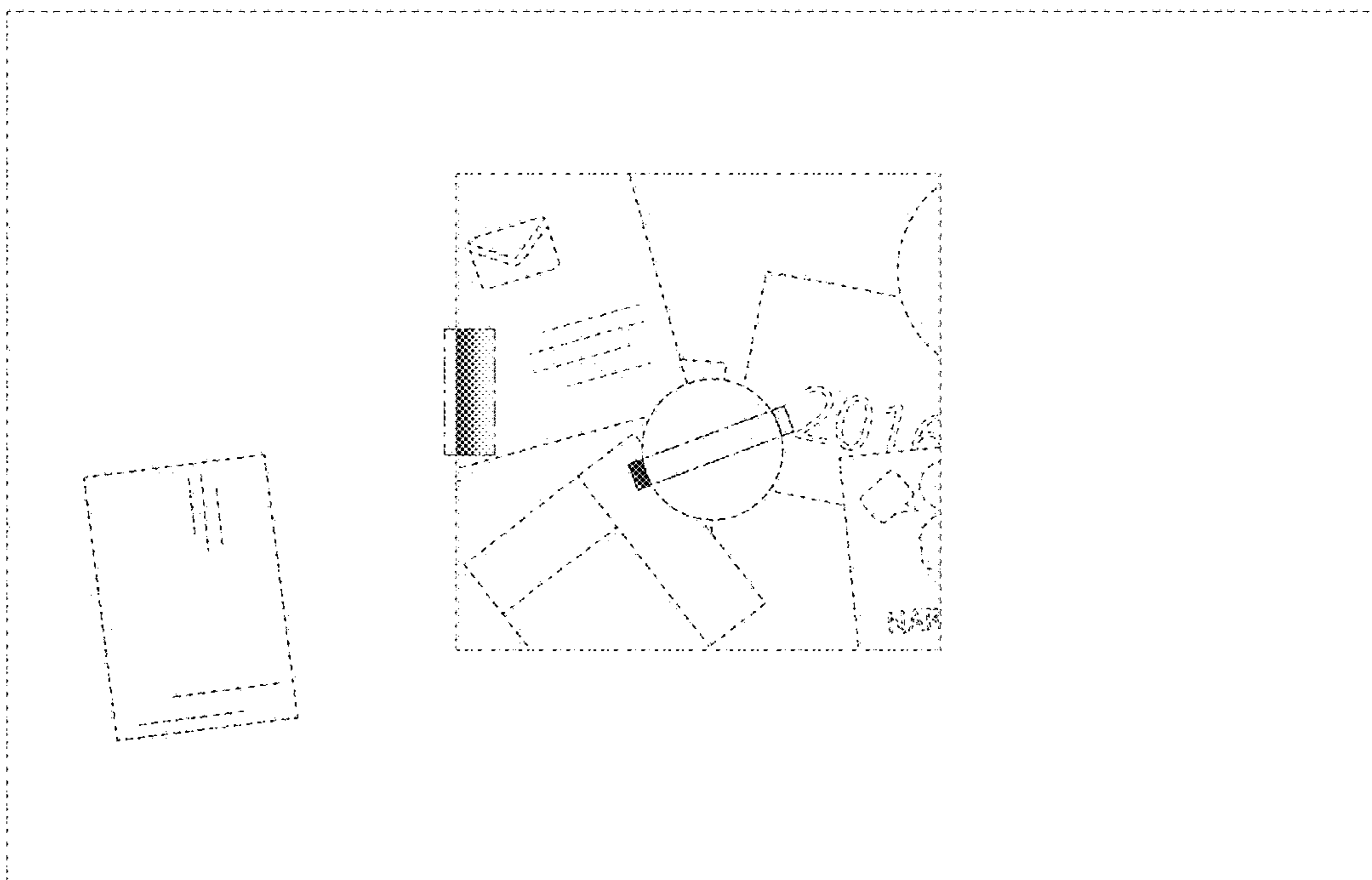


FIG.43

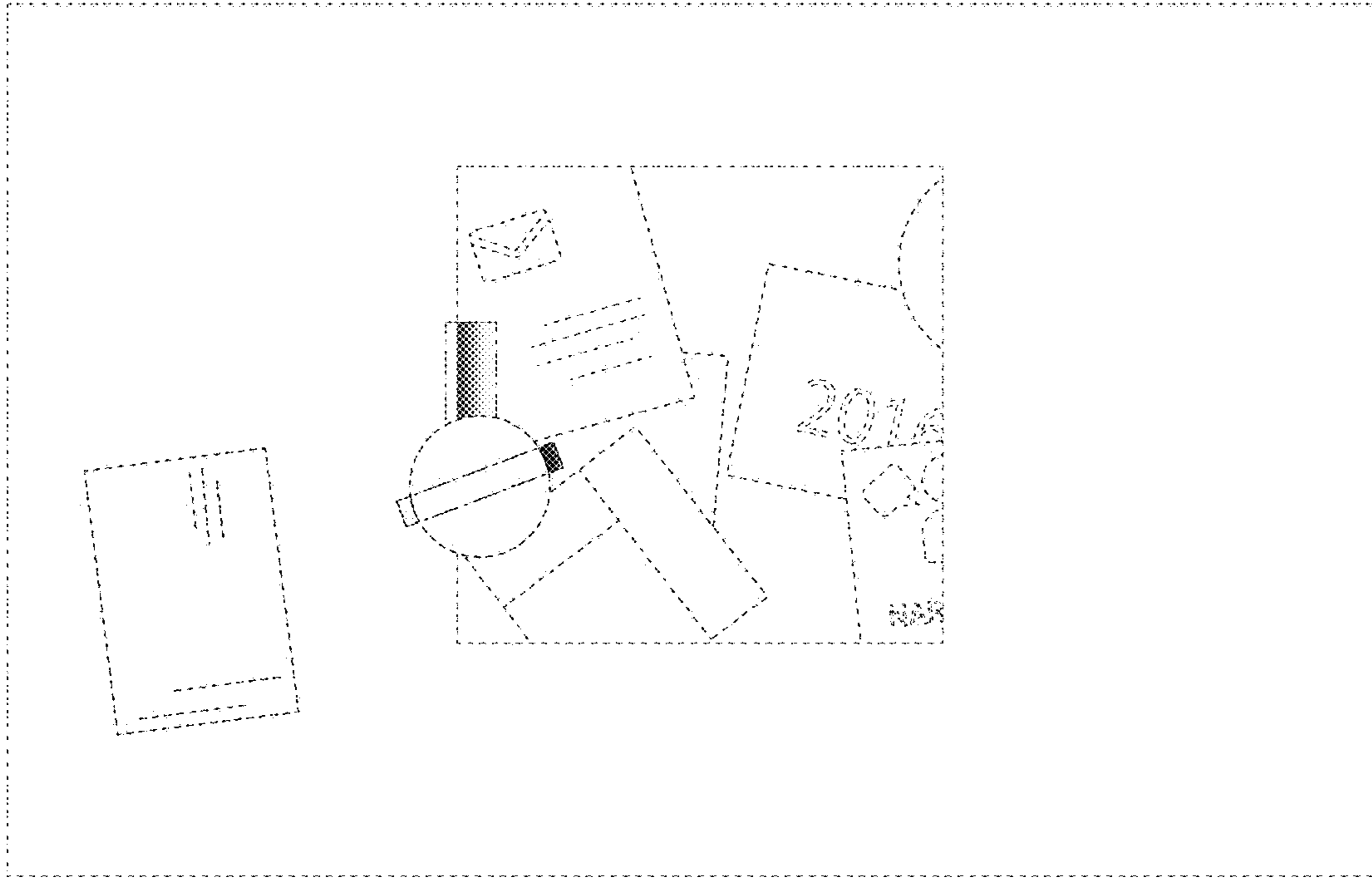


FIG.44

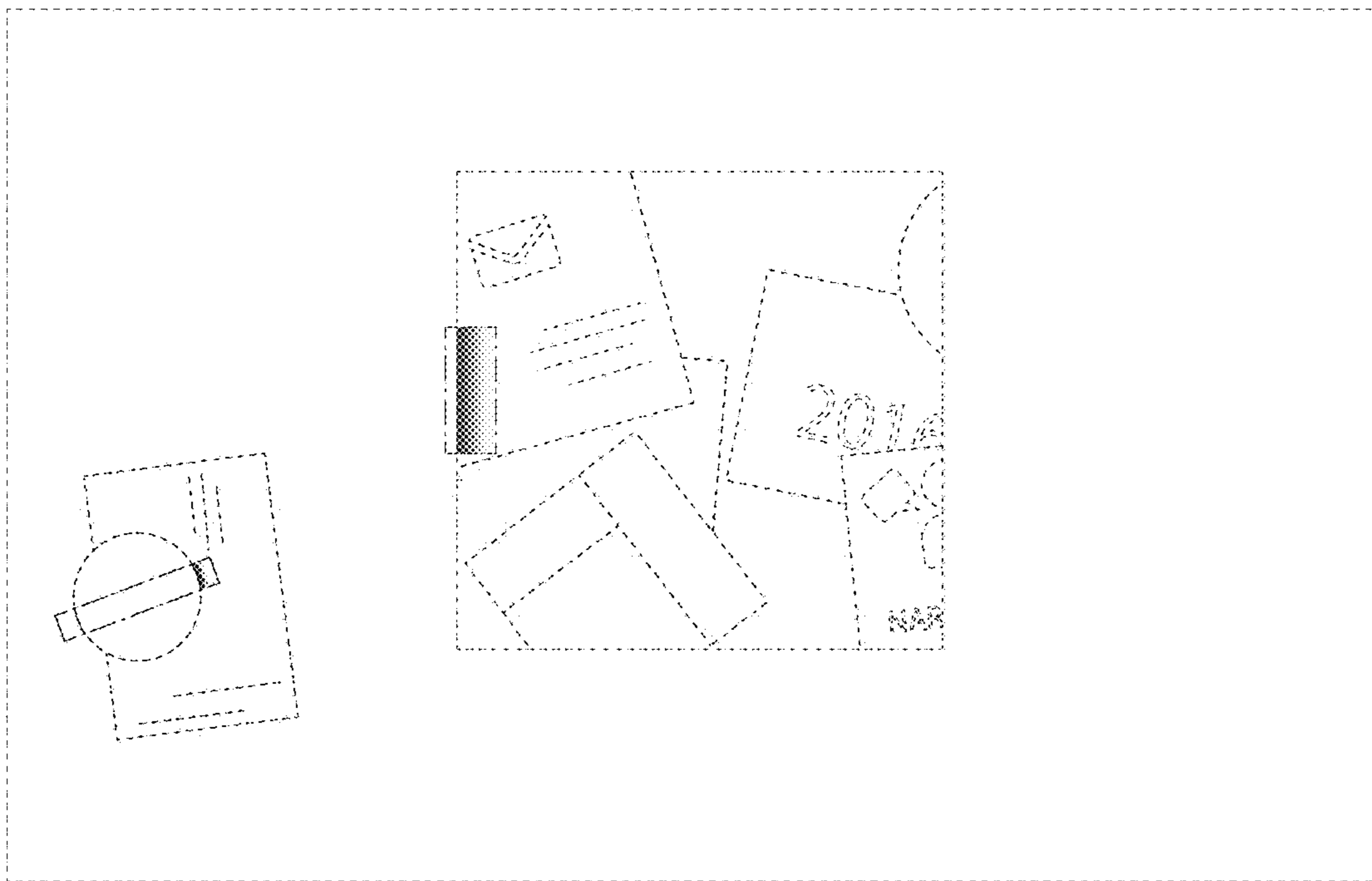


FIG.45

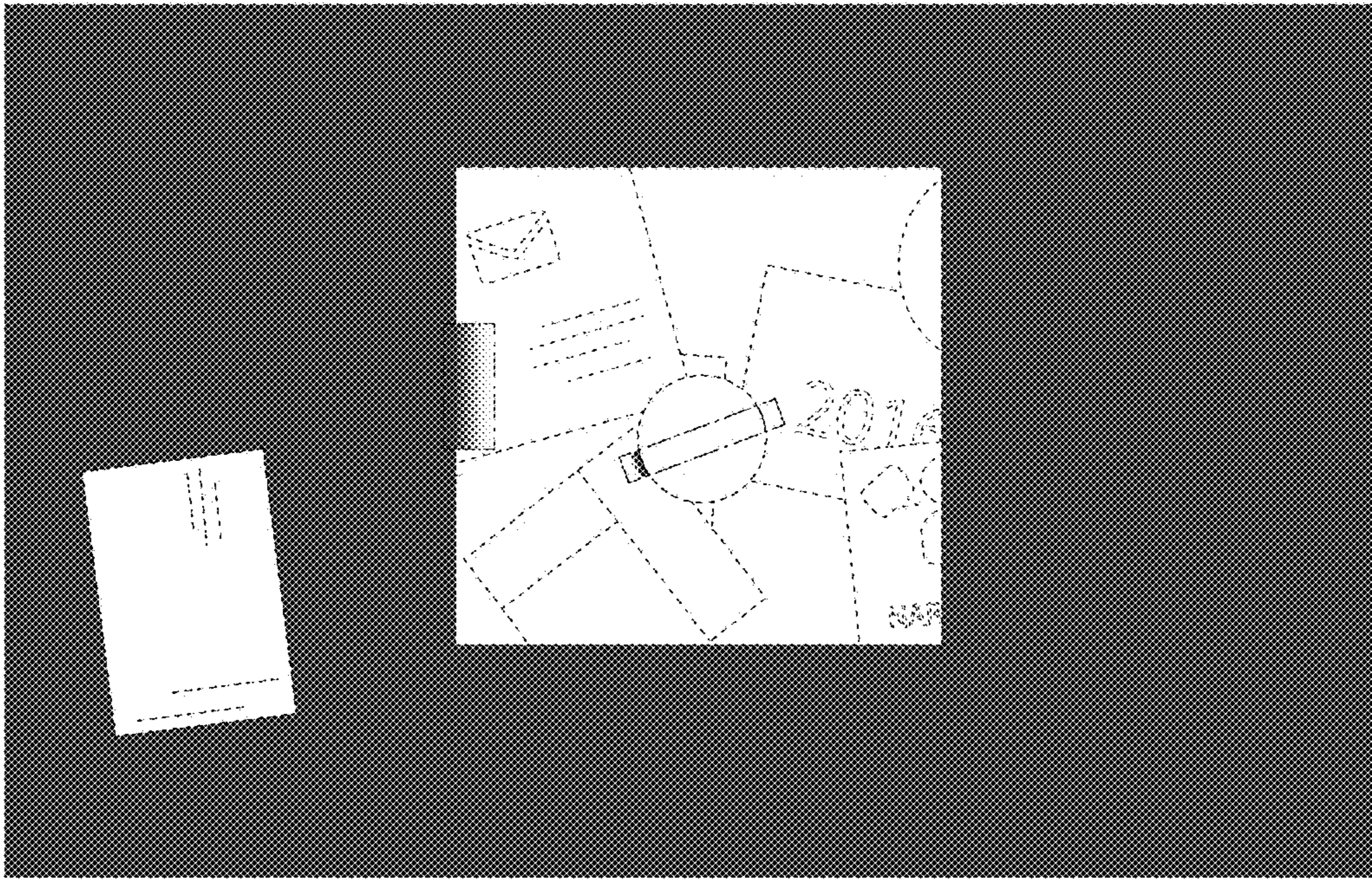


FIG.46

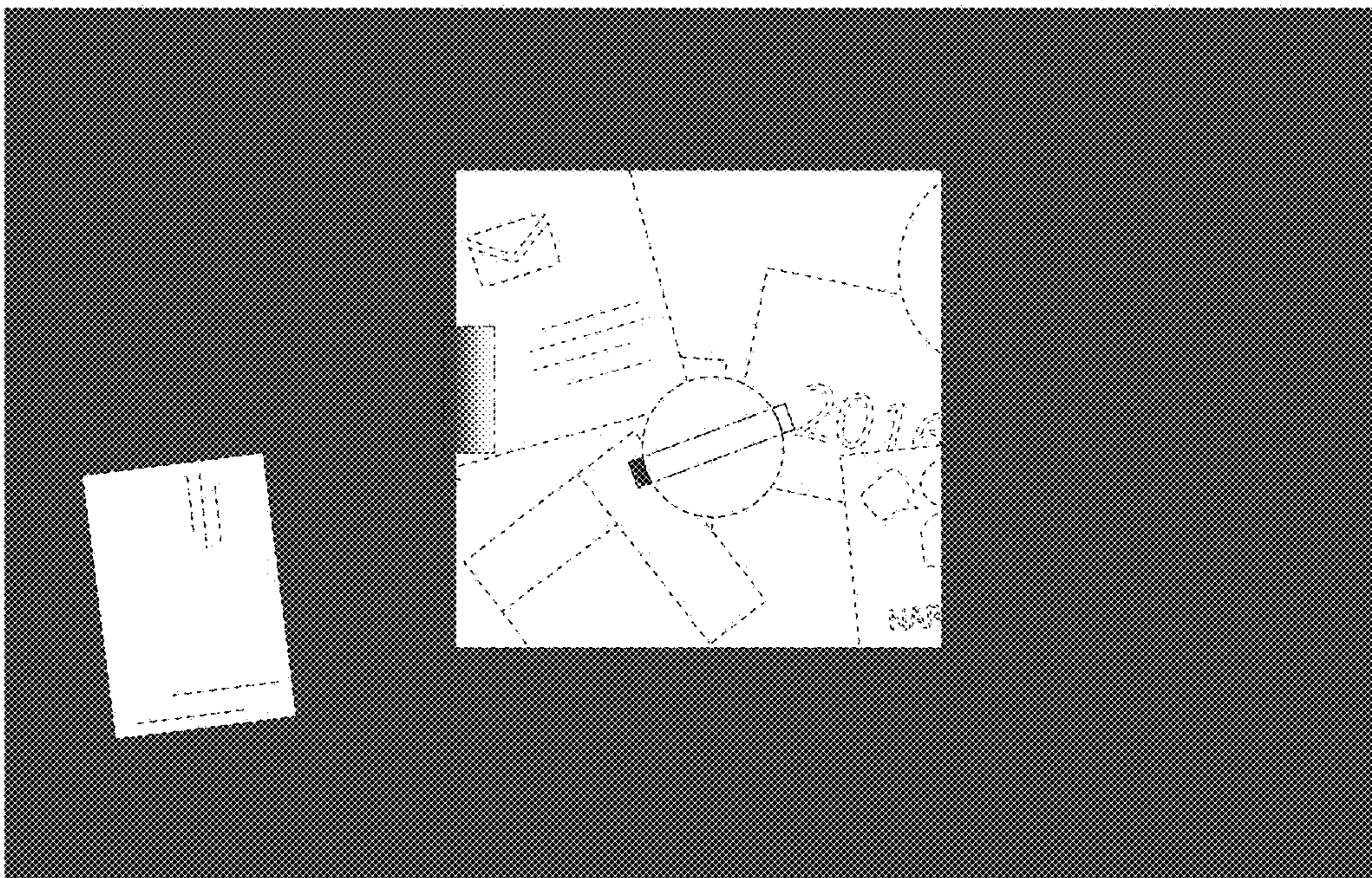


FIG.47

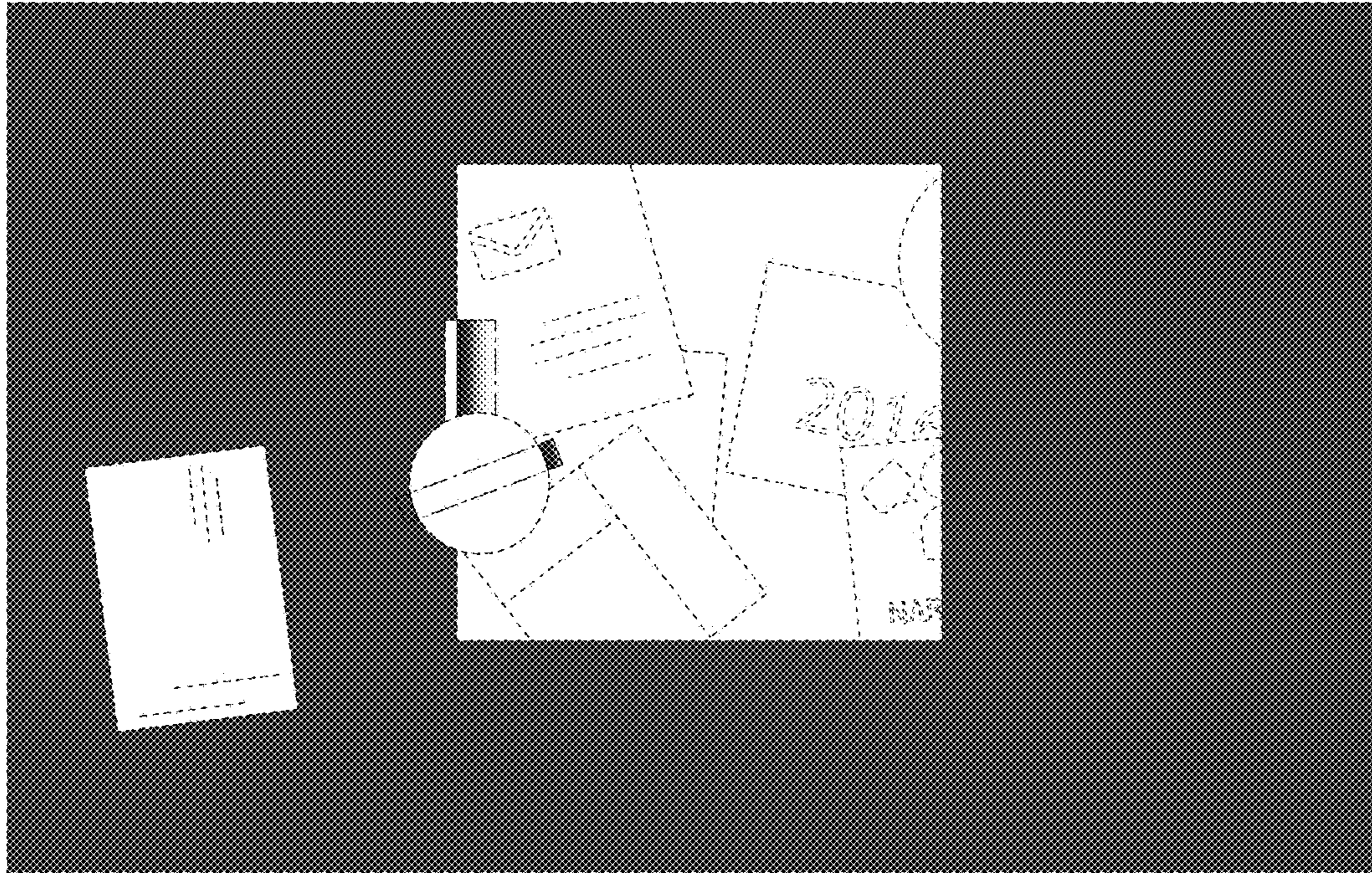


FIG.48

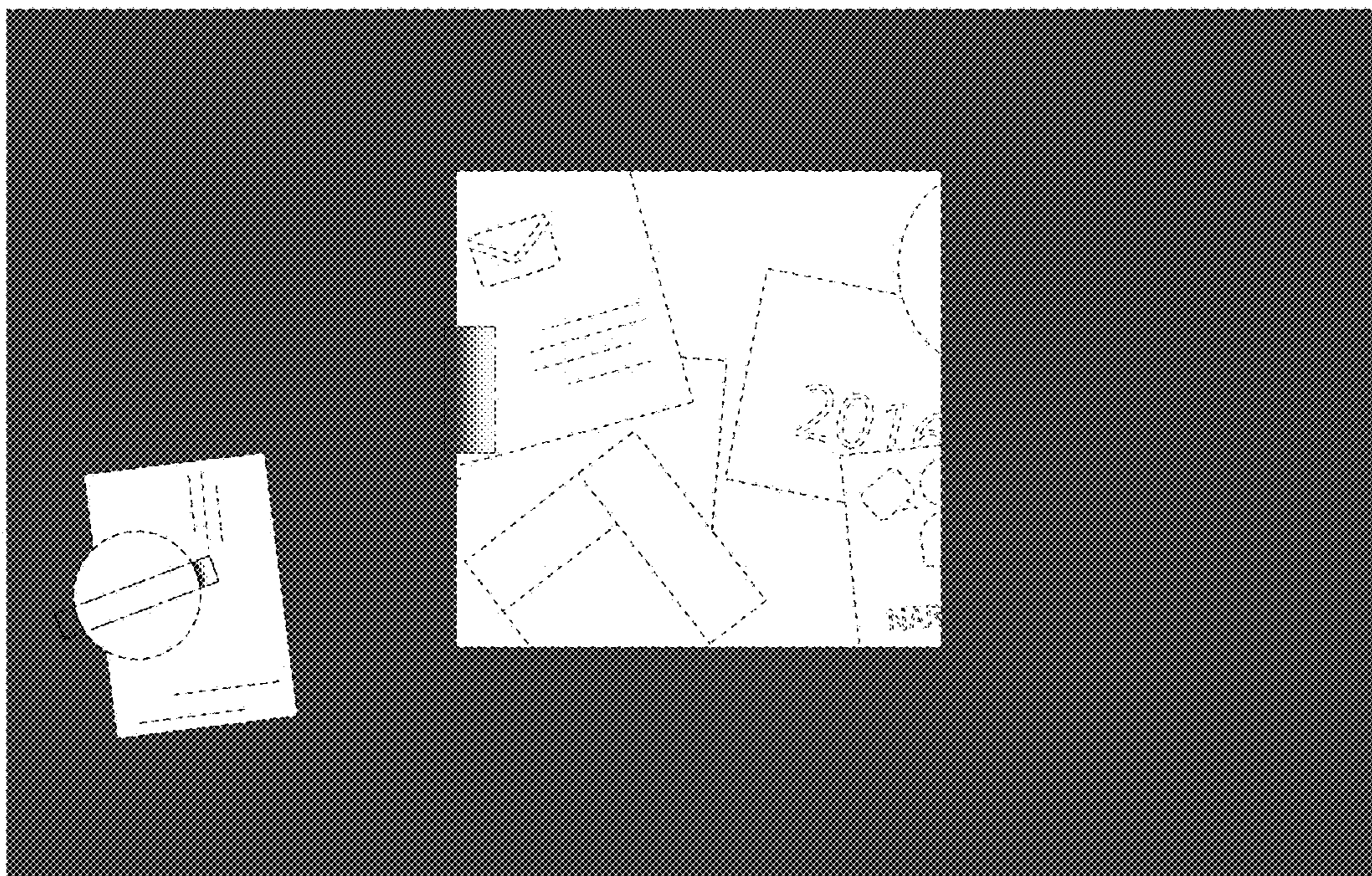


FIG.49

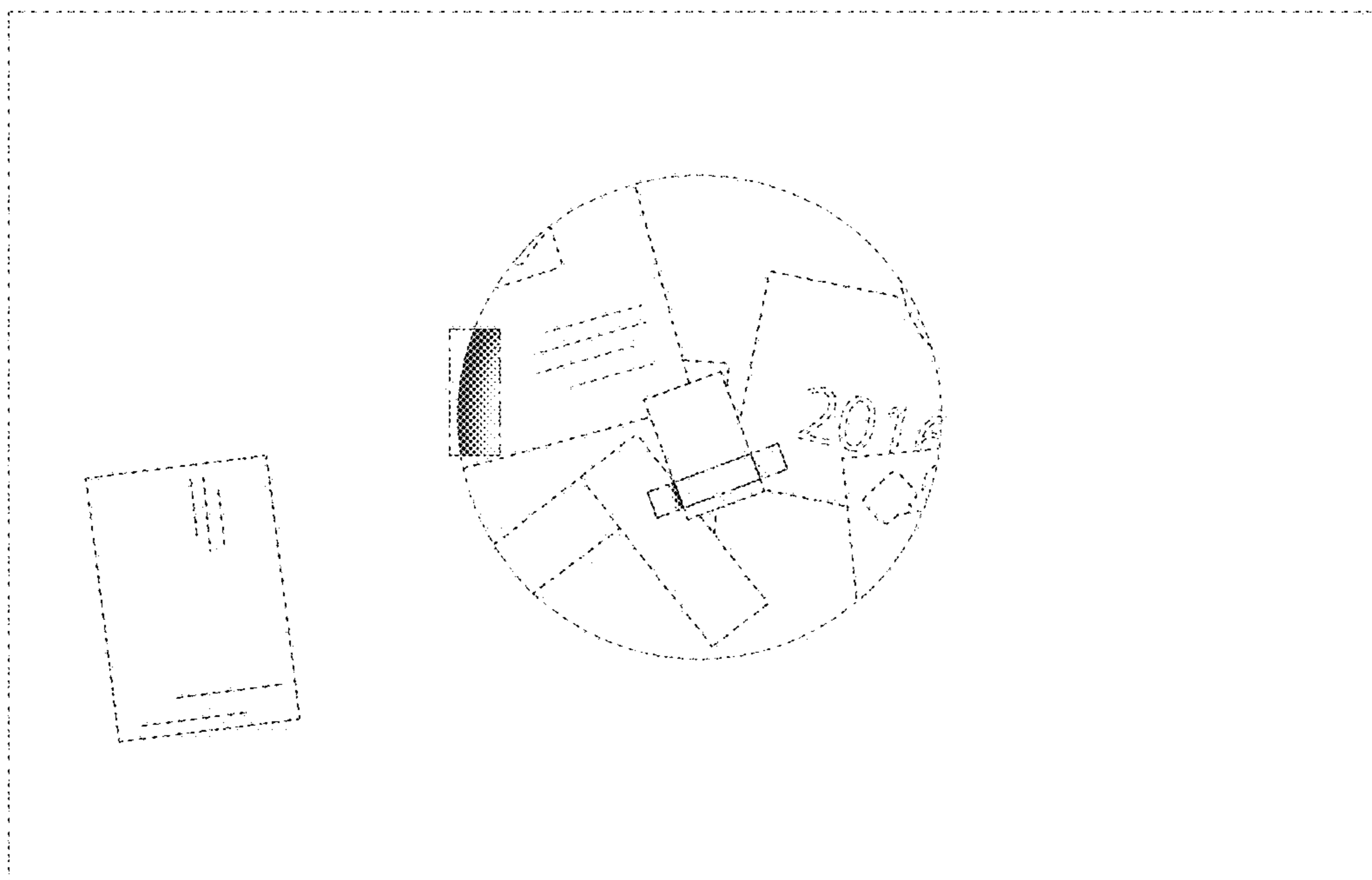


FIG.50

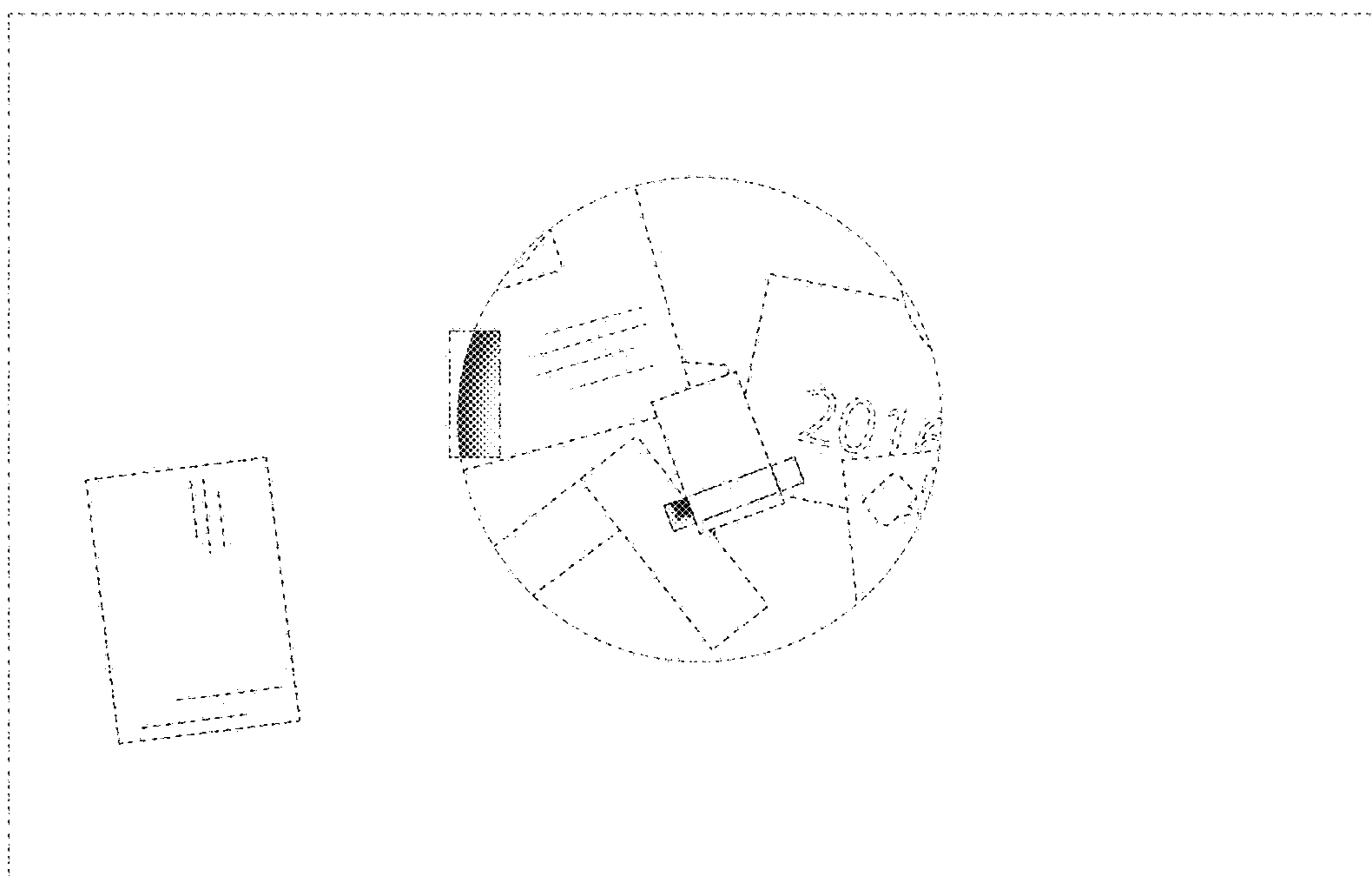


FIG.51

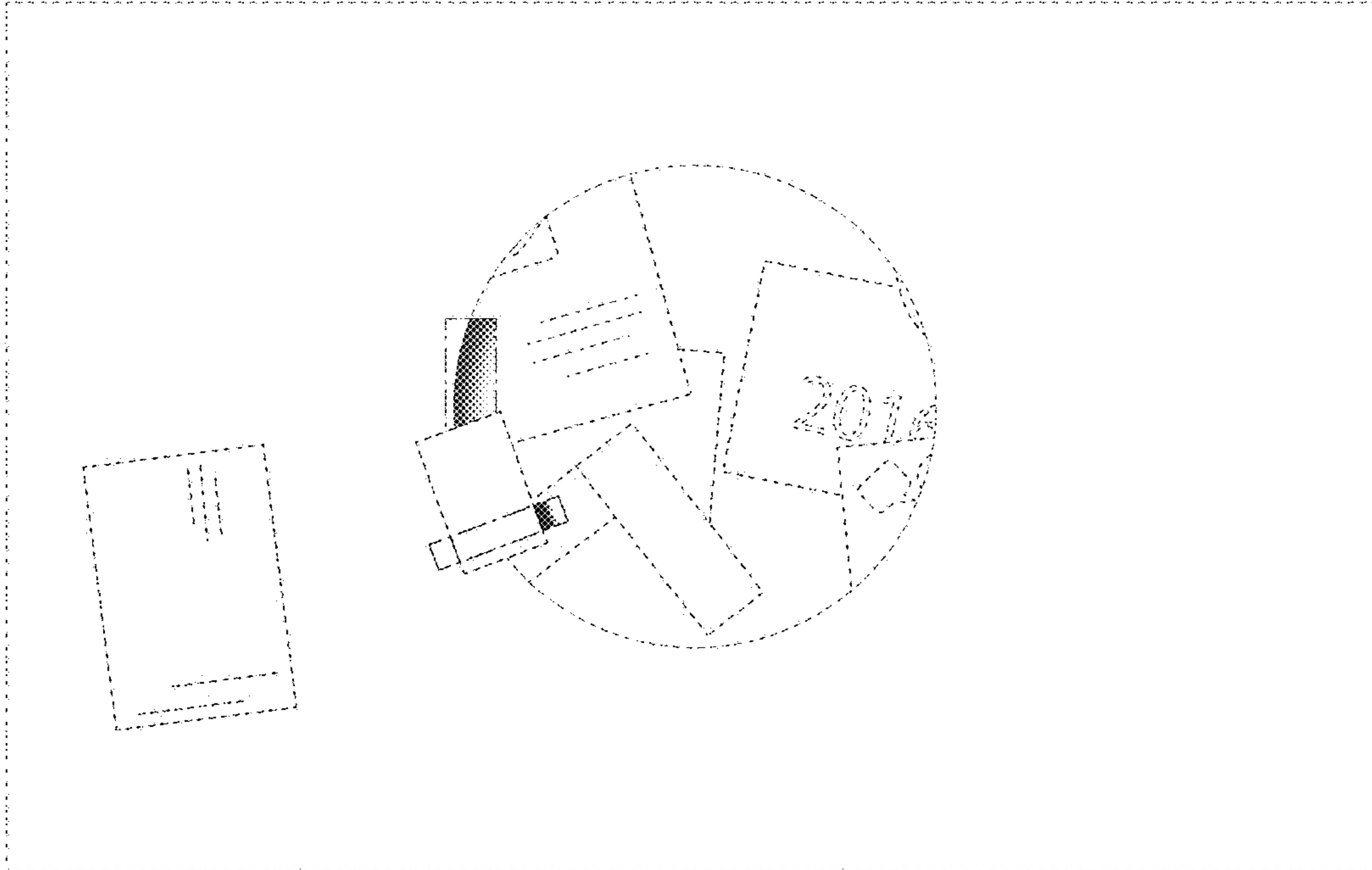


FIG.52

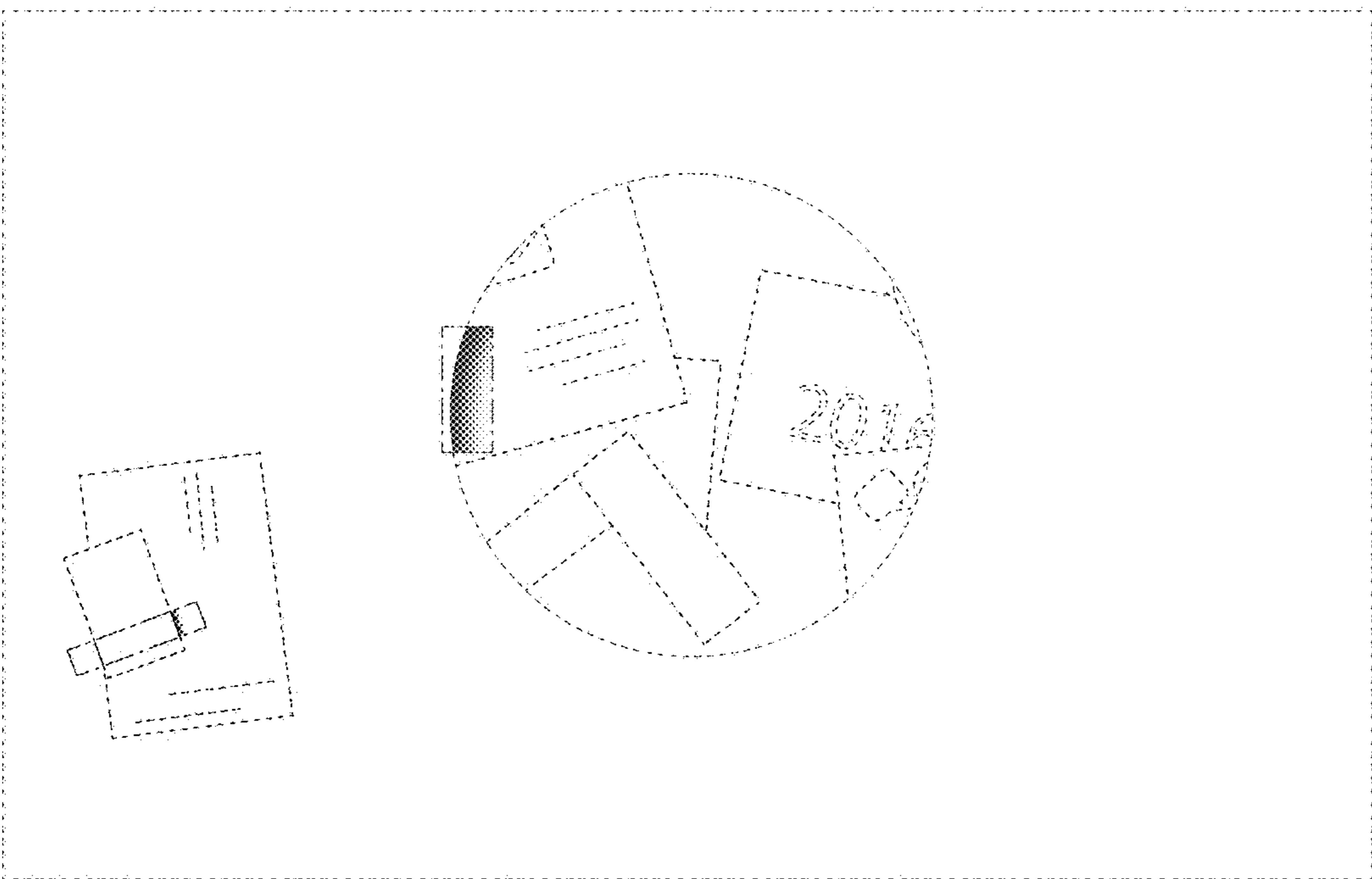


FIG.53

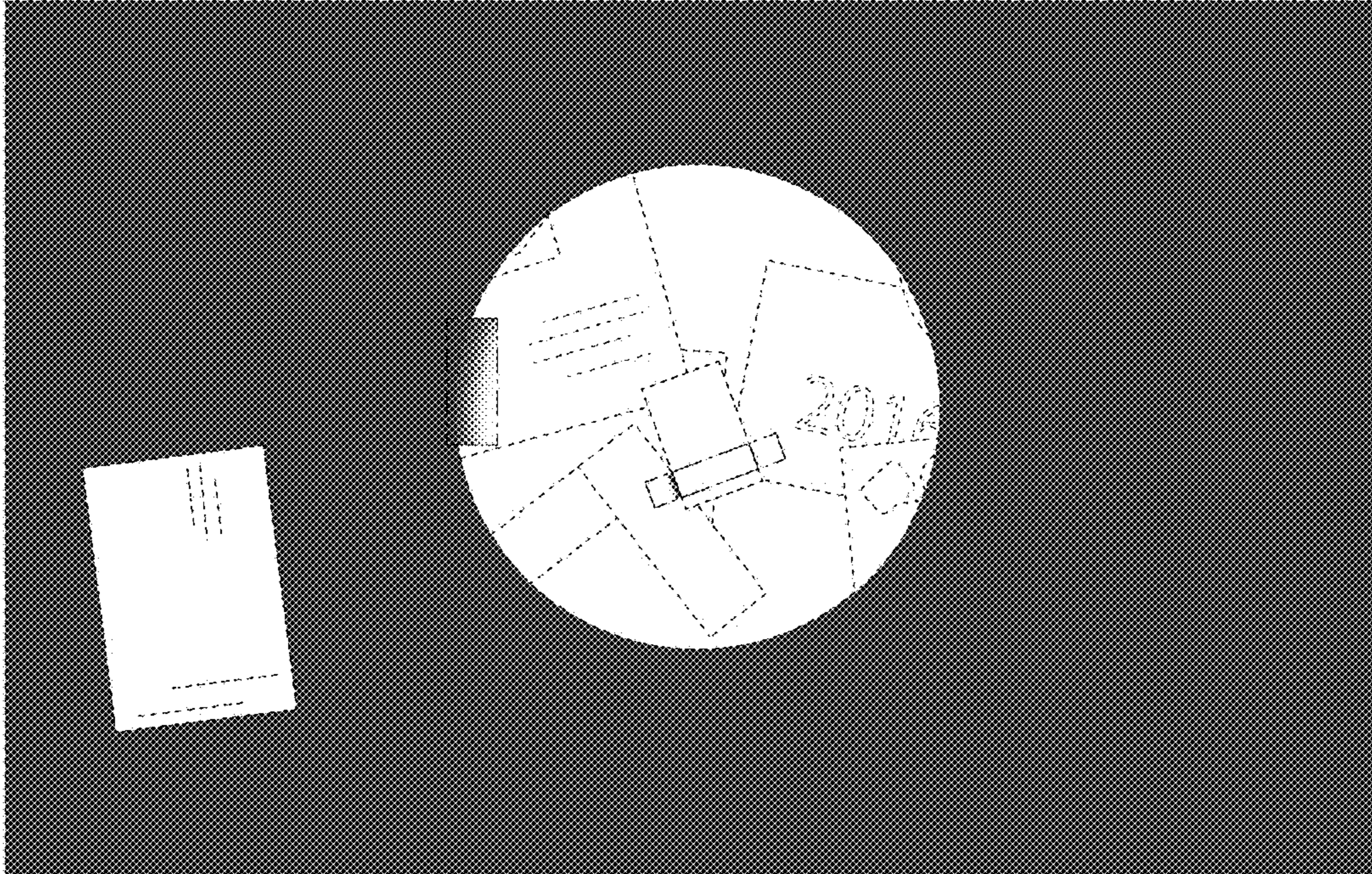


FIG.54

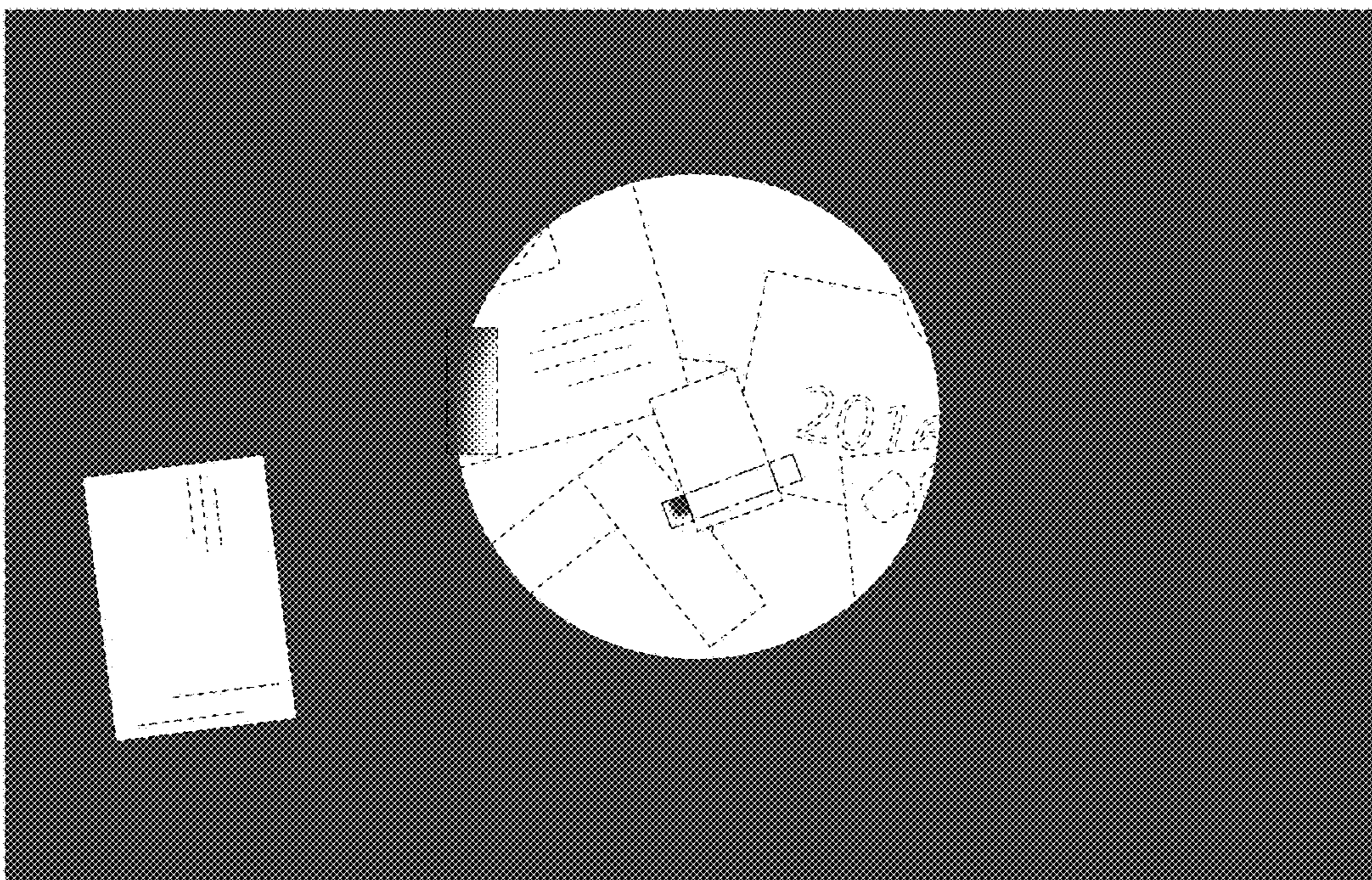


FIG.55

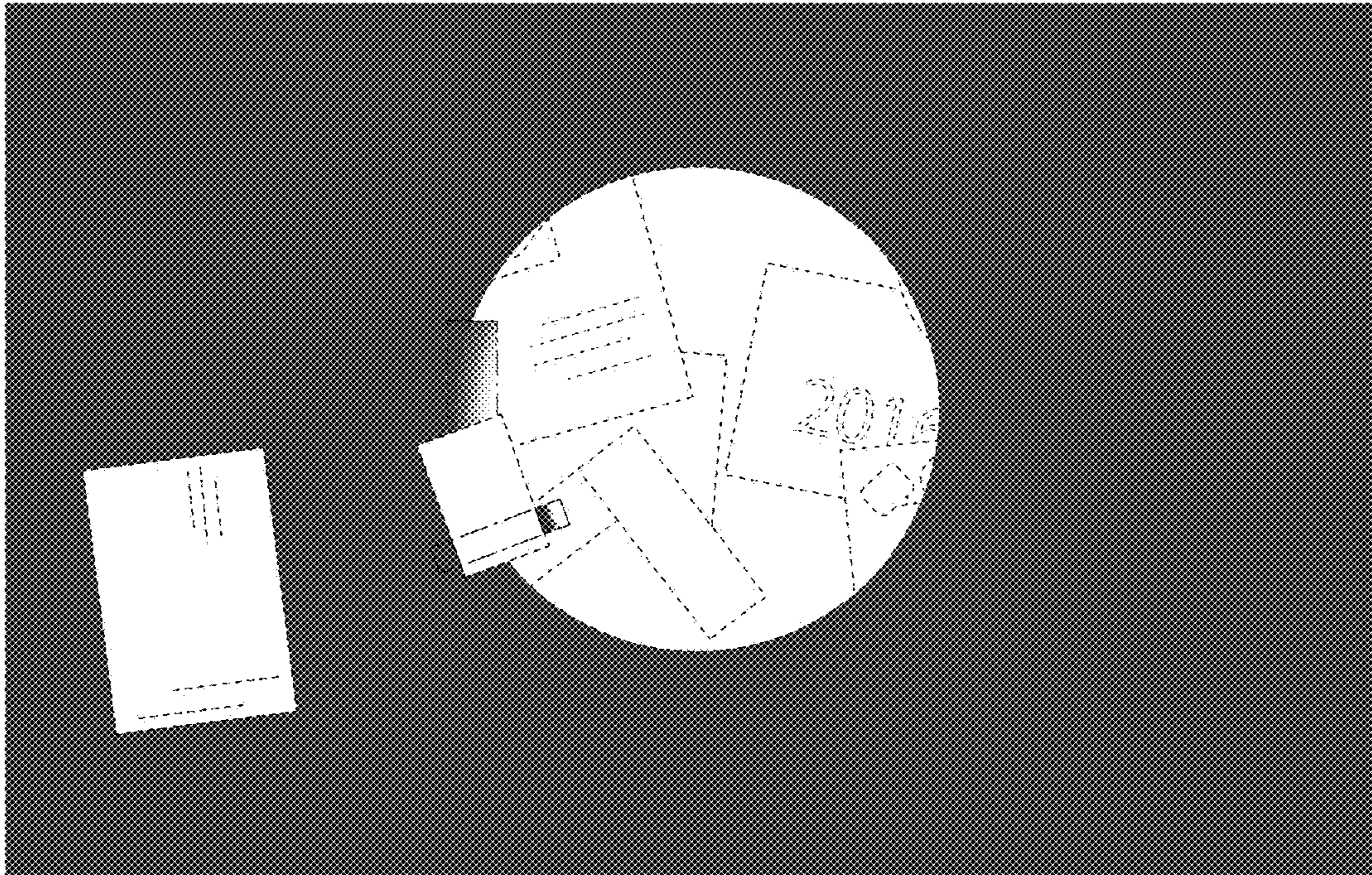


FIG.56

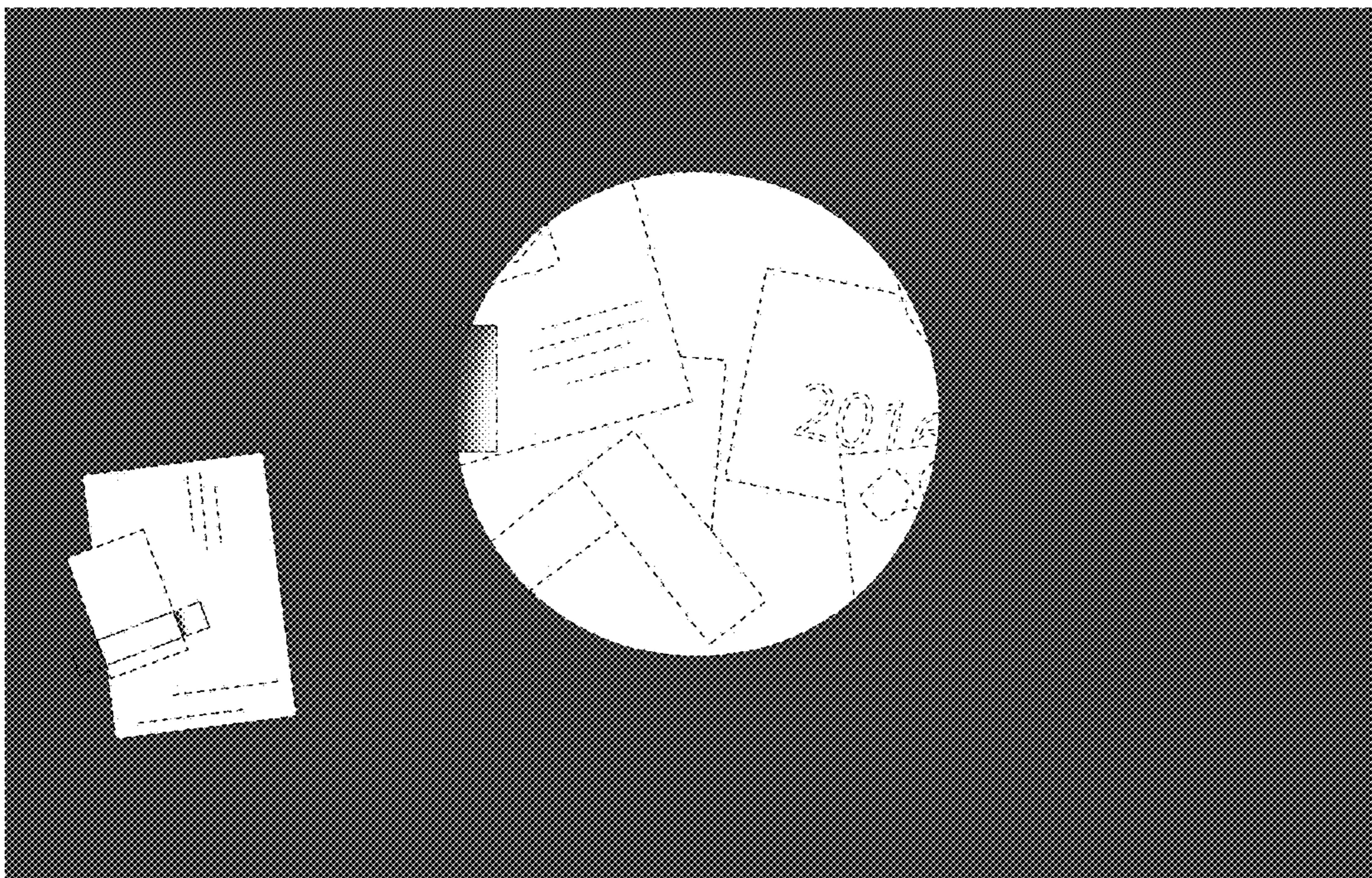


FIG.57

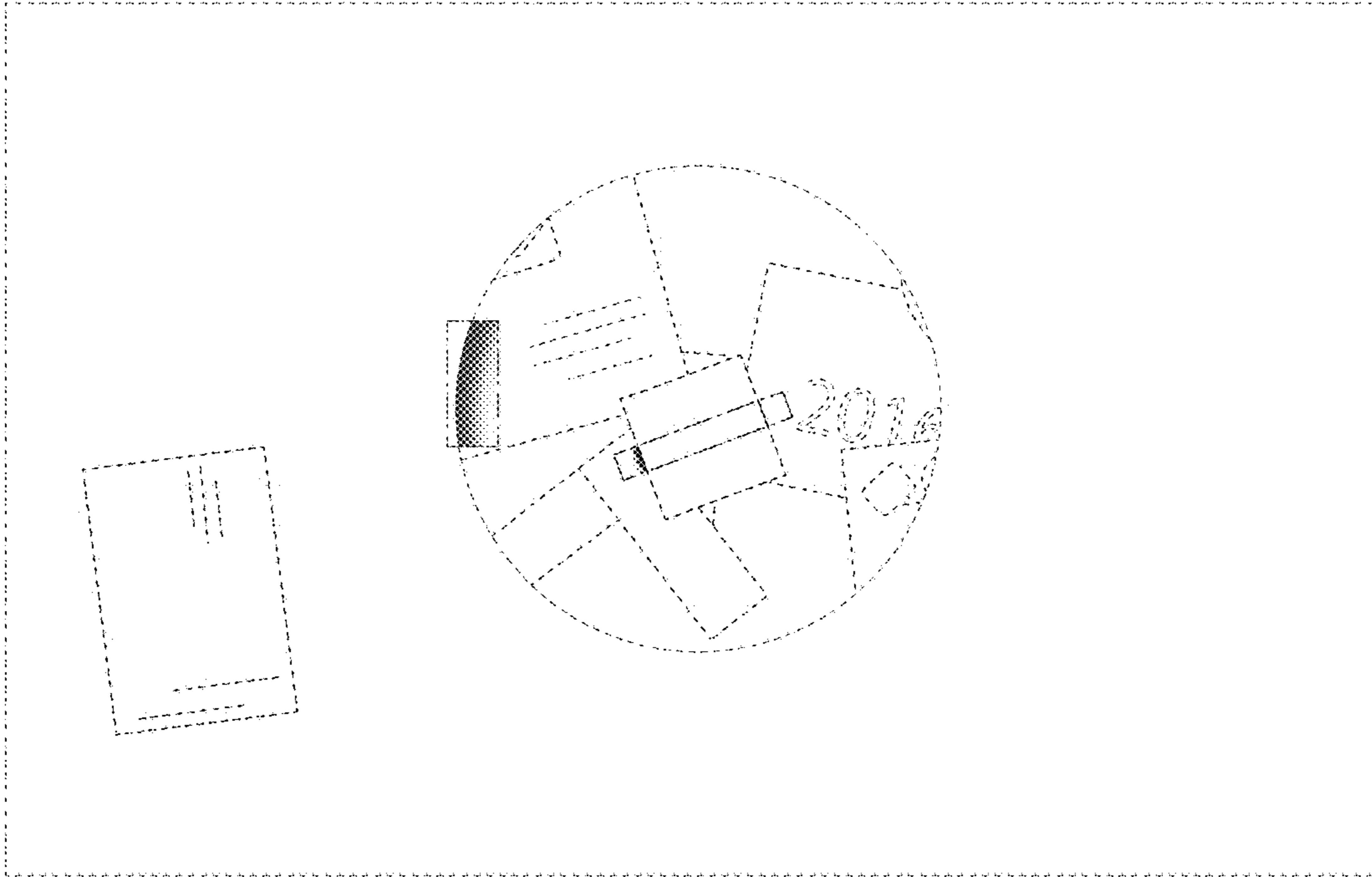


FIG.58

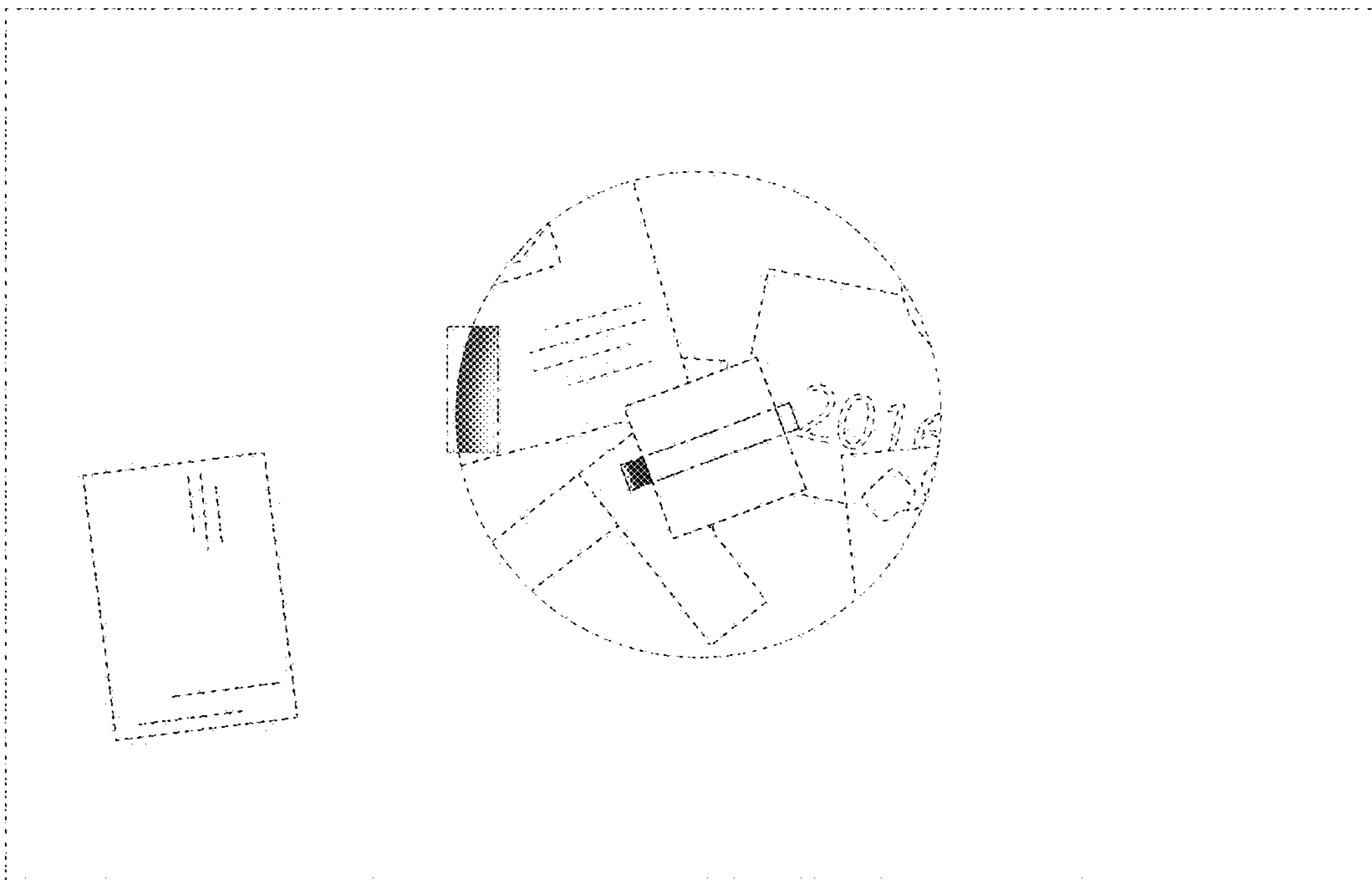


FIG.59

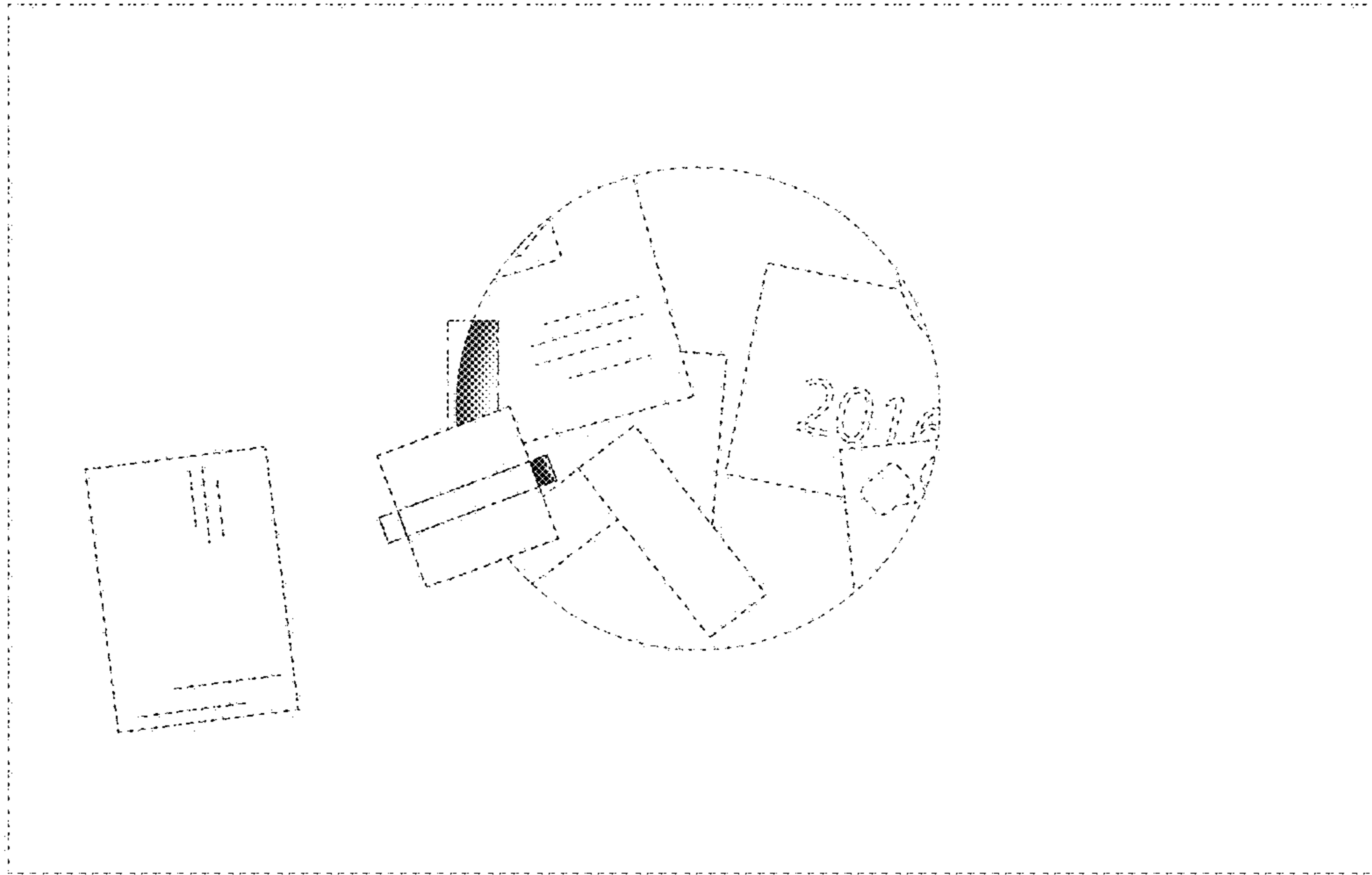


FIG.60

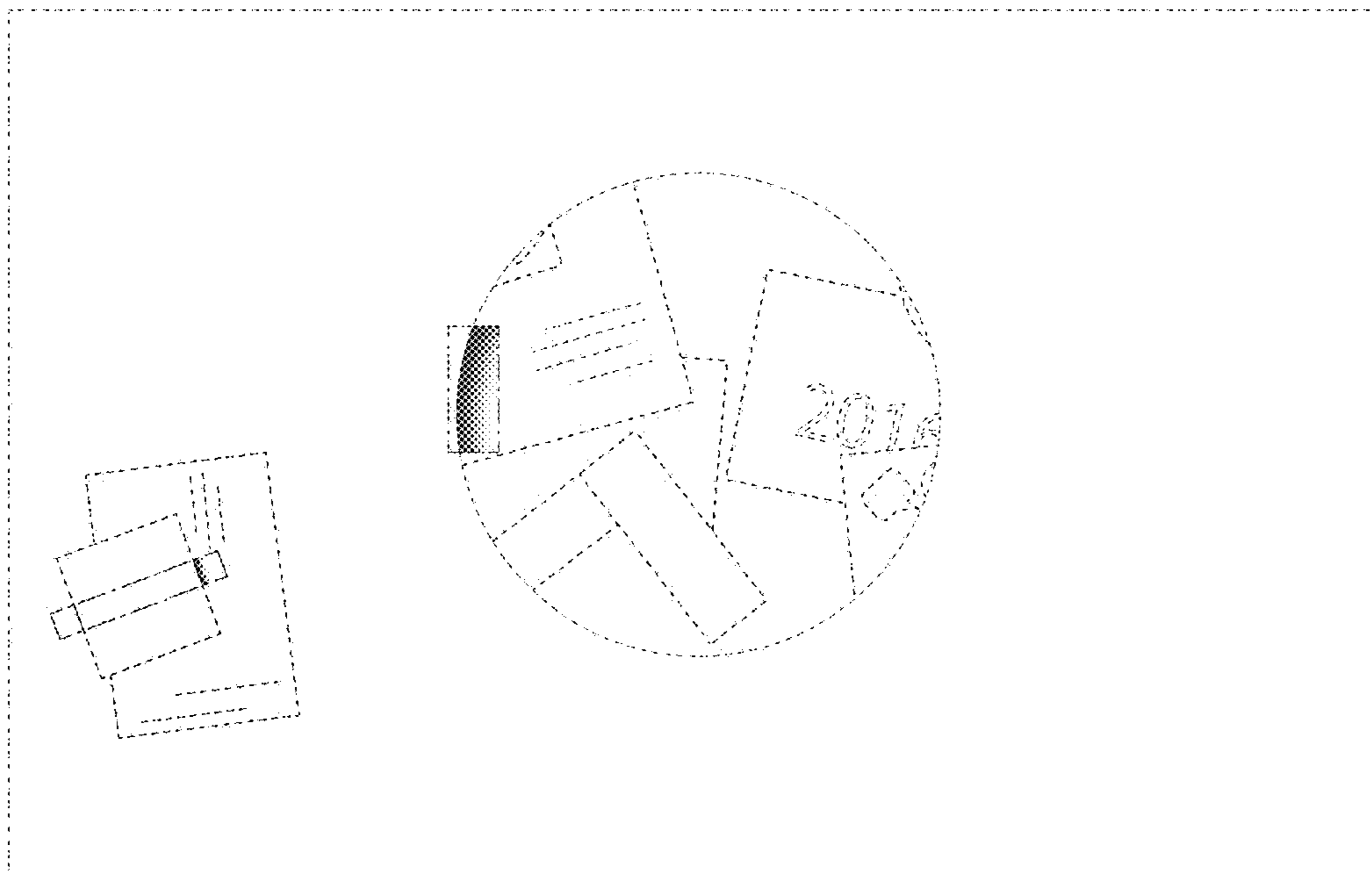


FIG.61

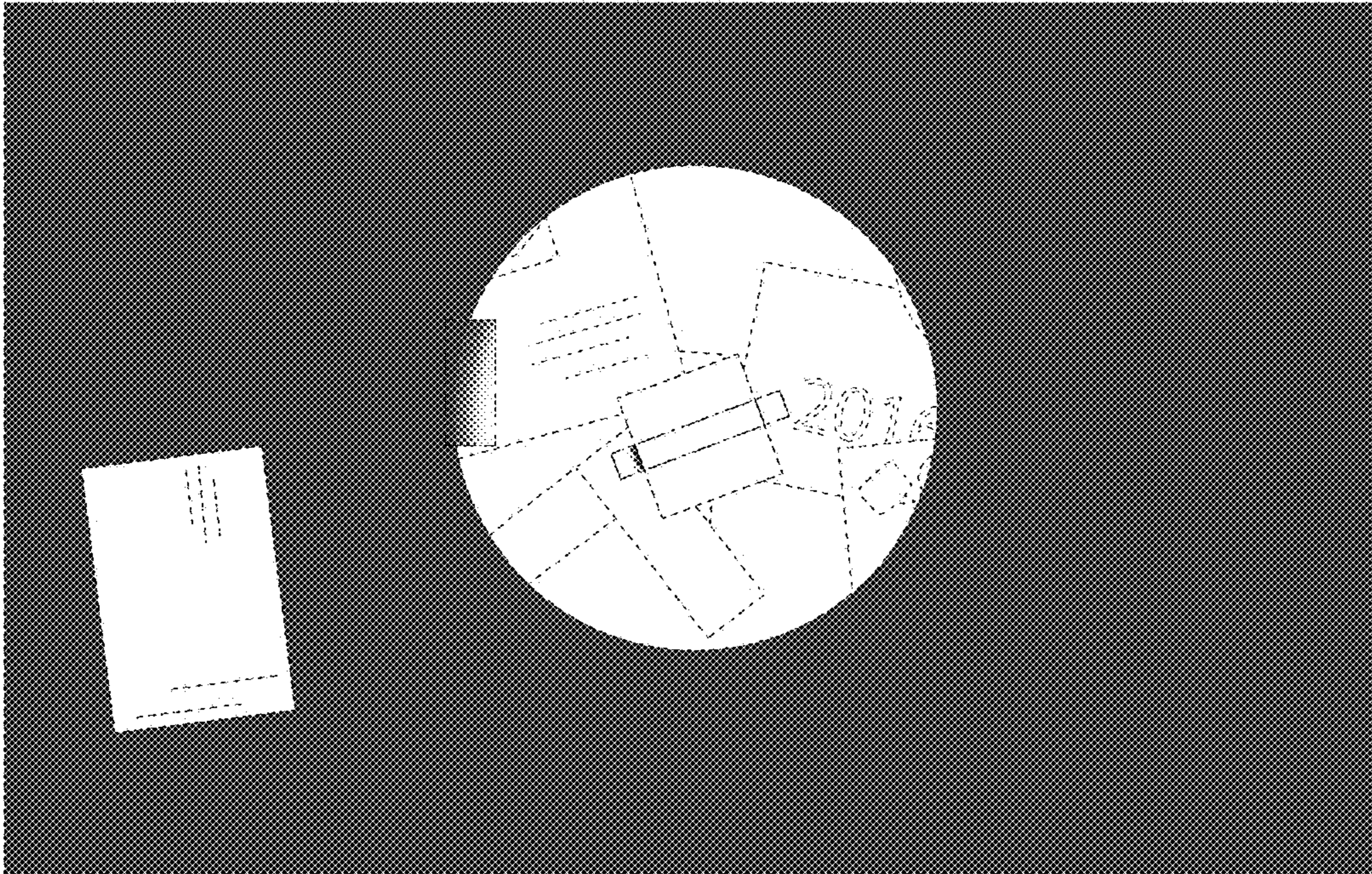


FIG.62

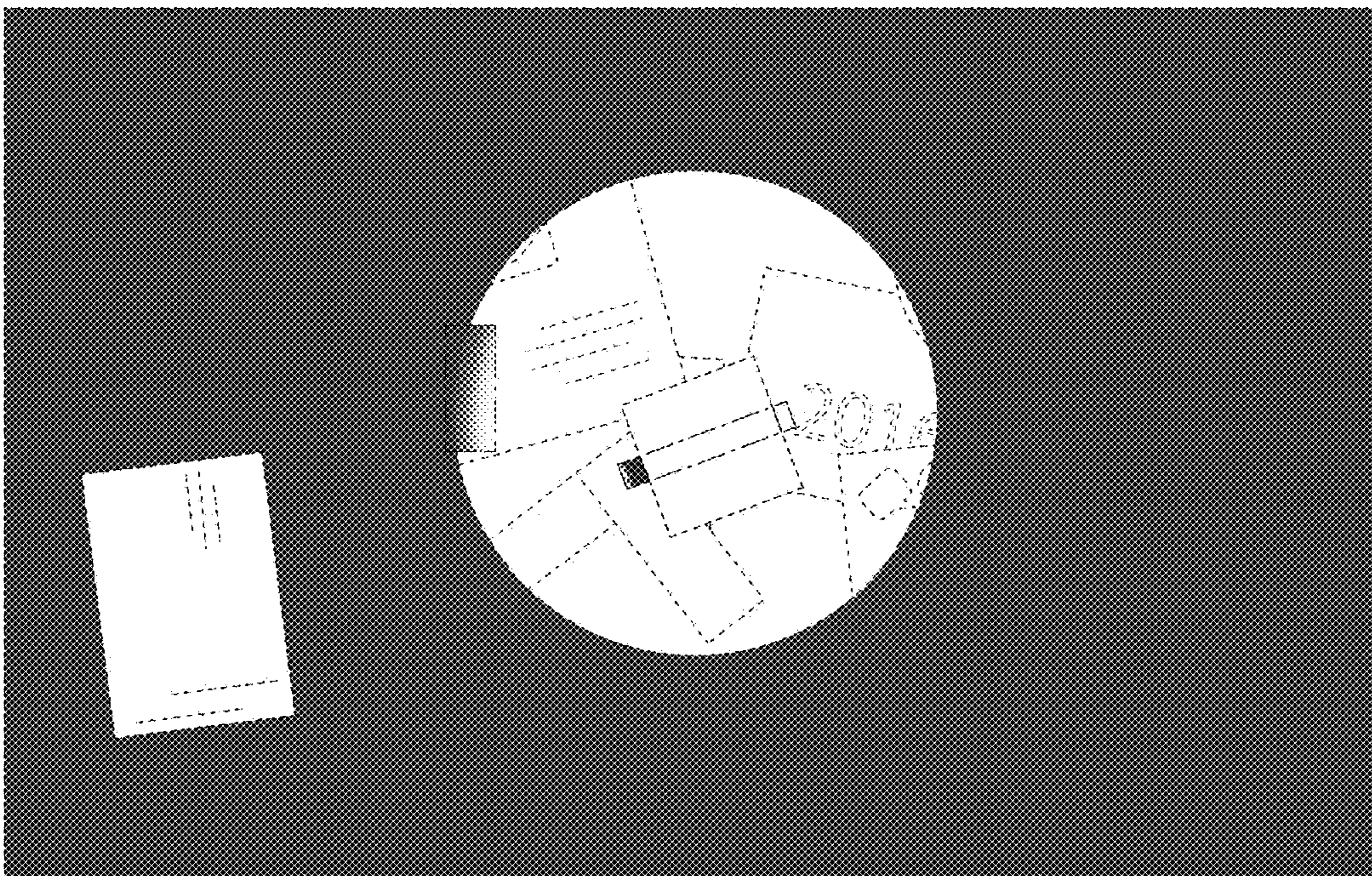


FIG.63

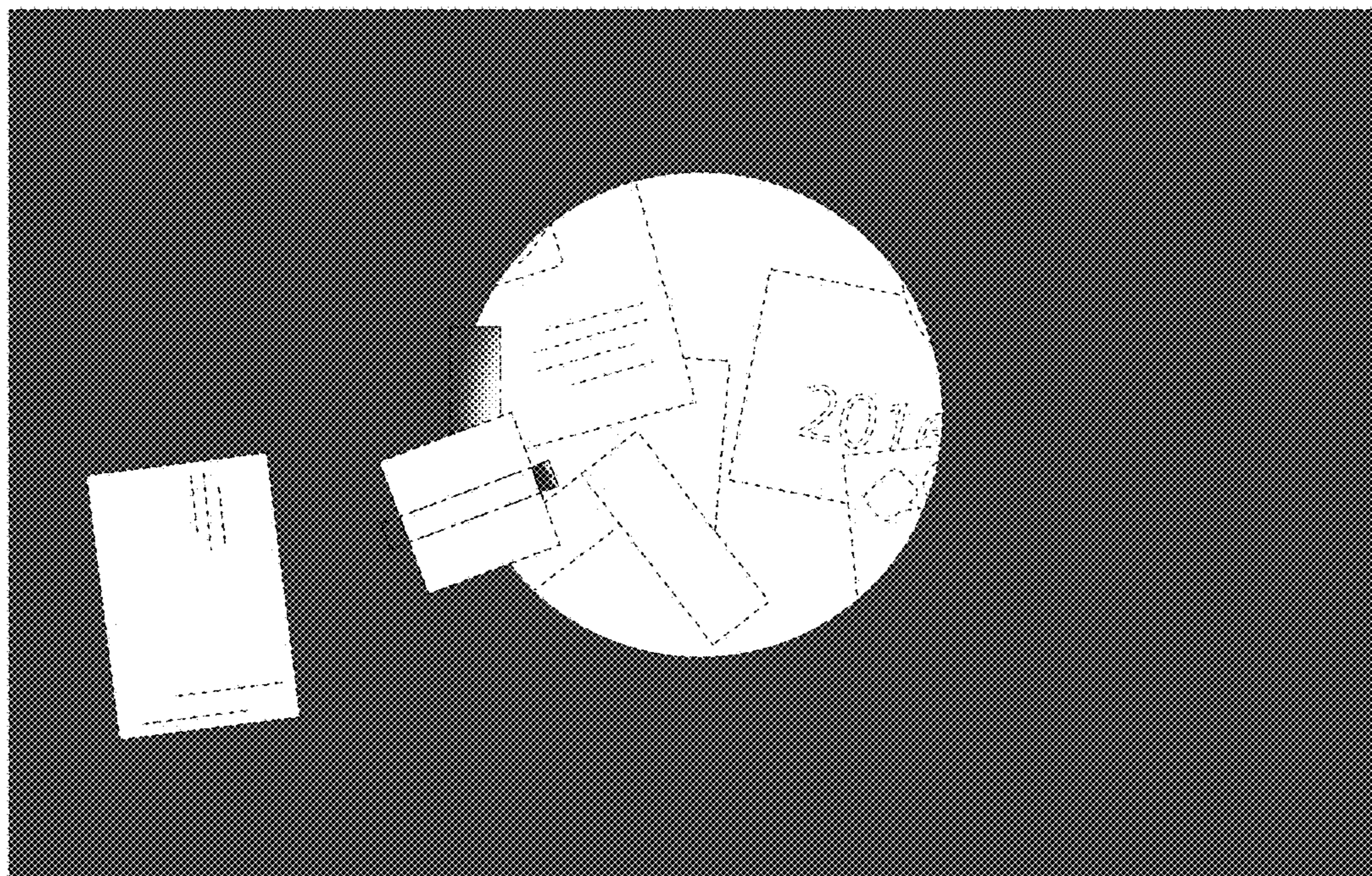


FIG.64

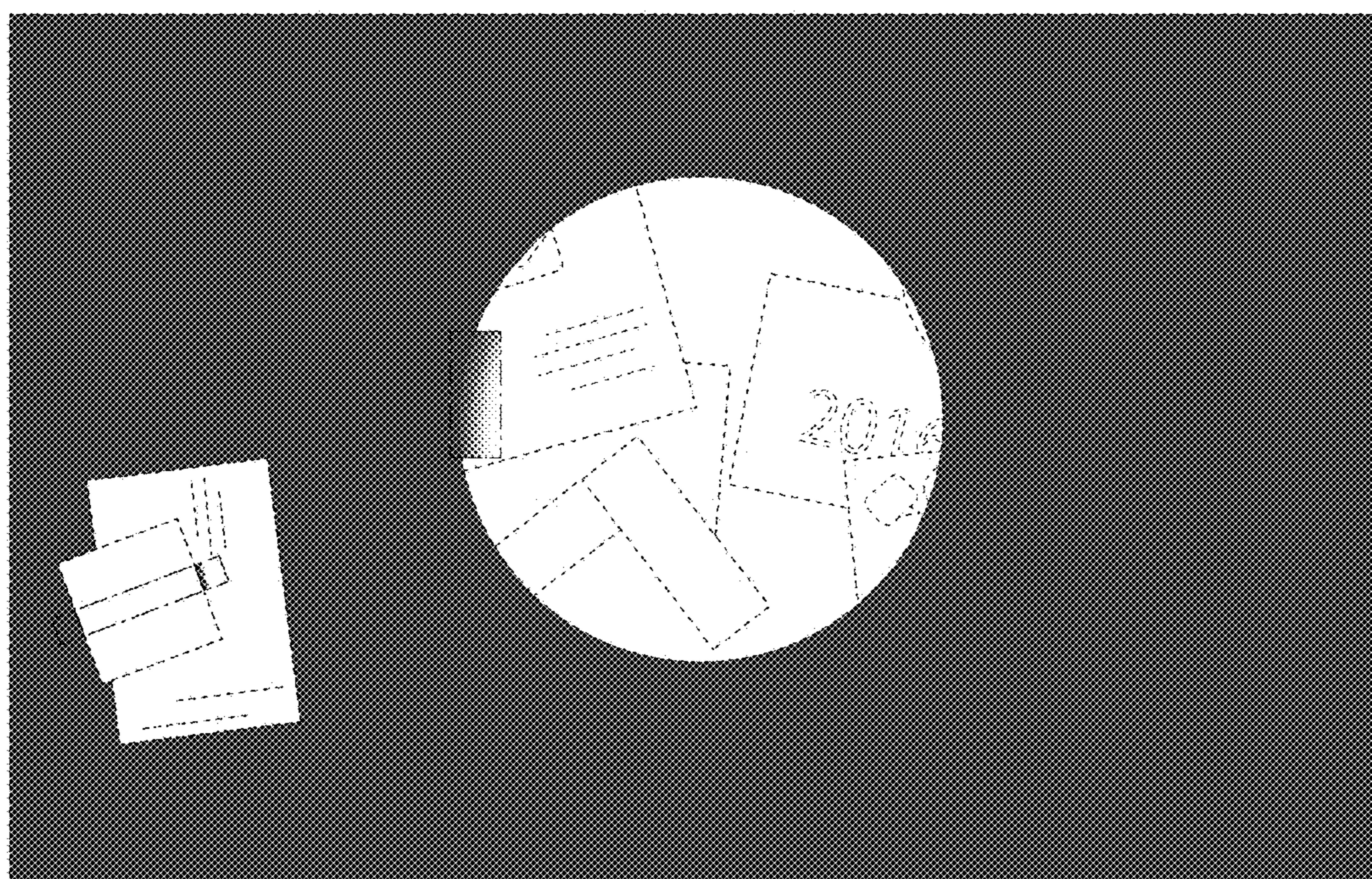


FIG.65

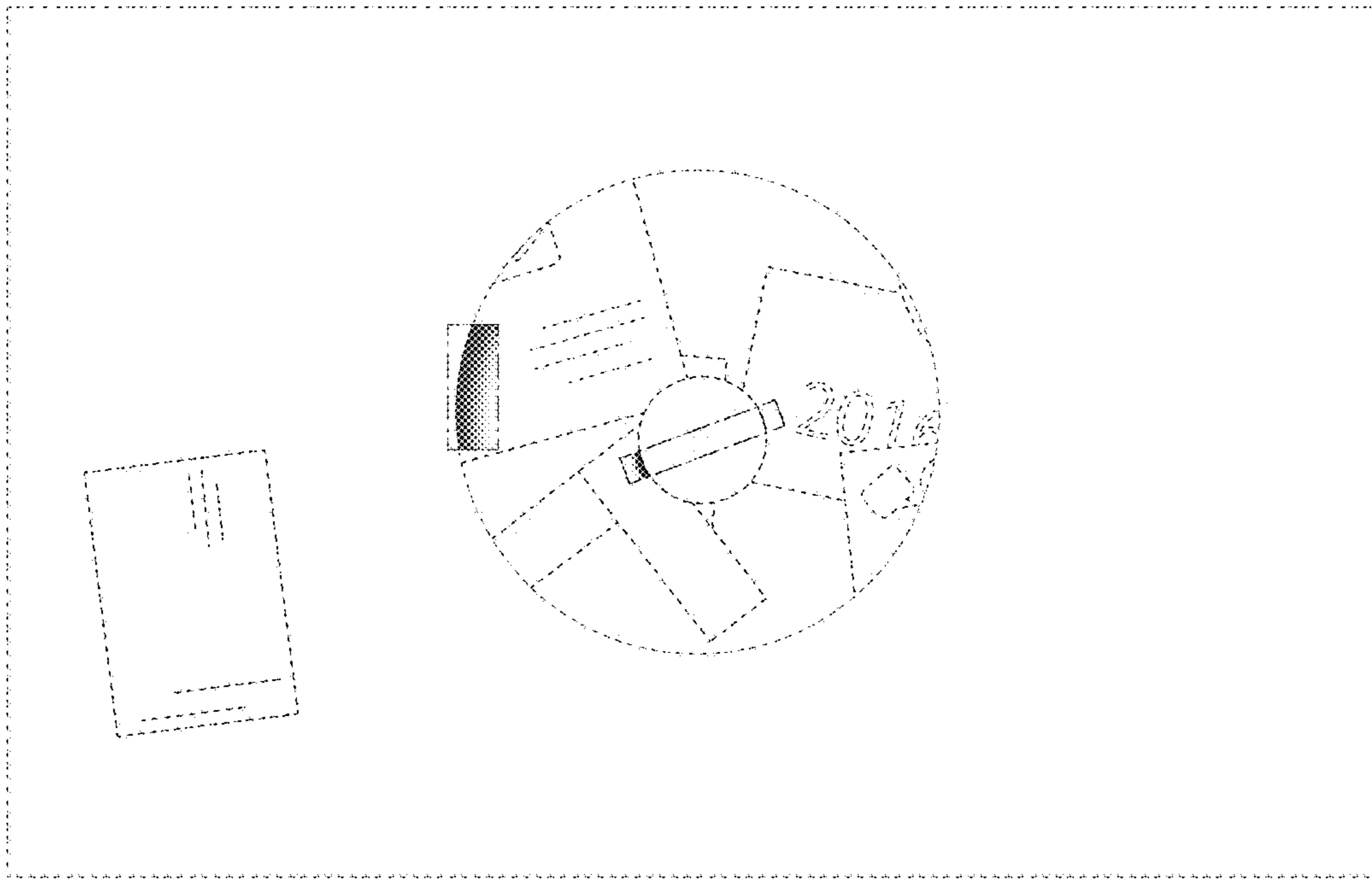


FIG.66

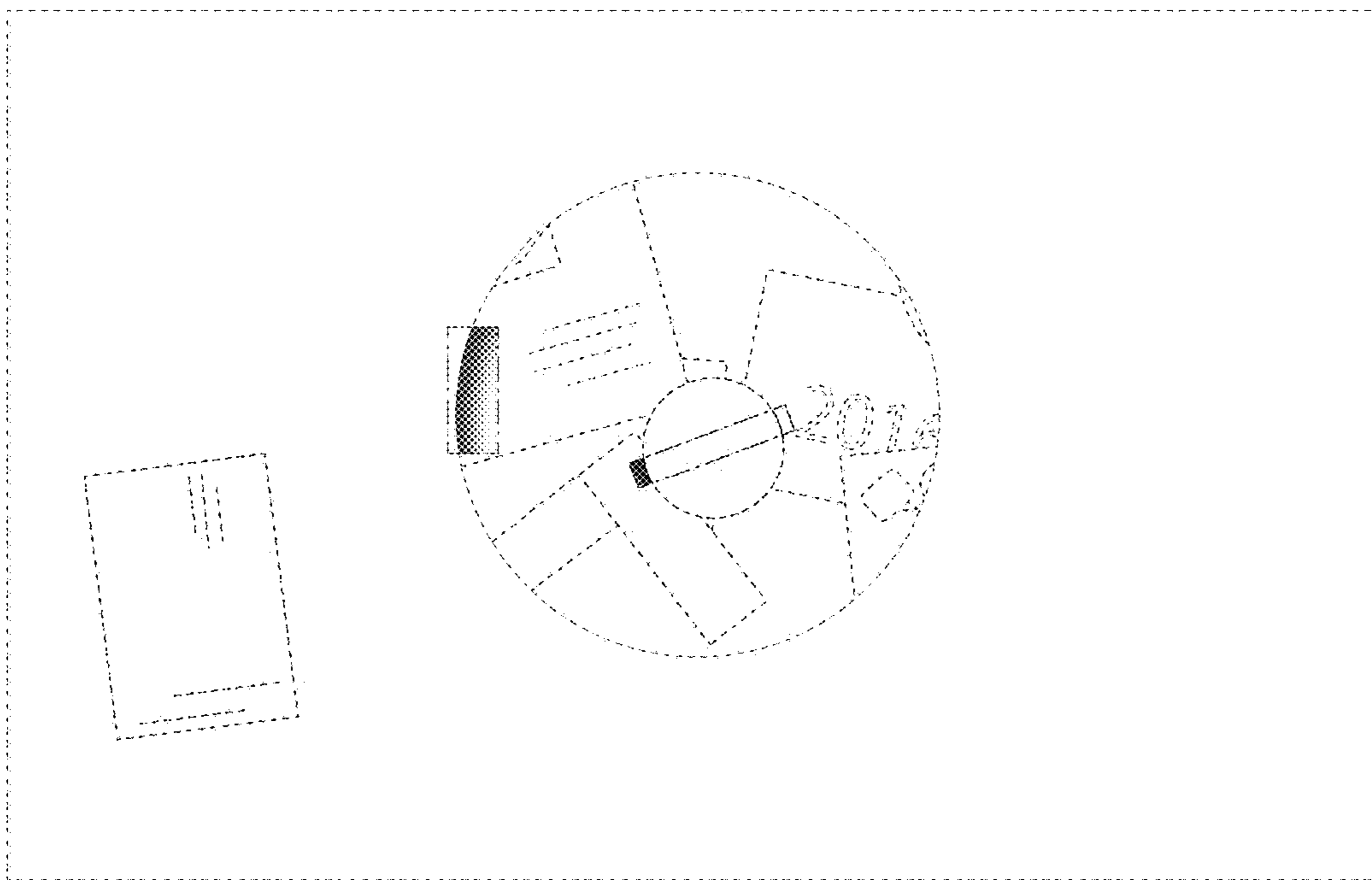


FIG.67

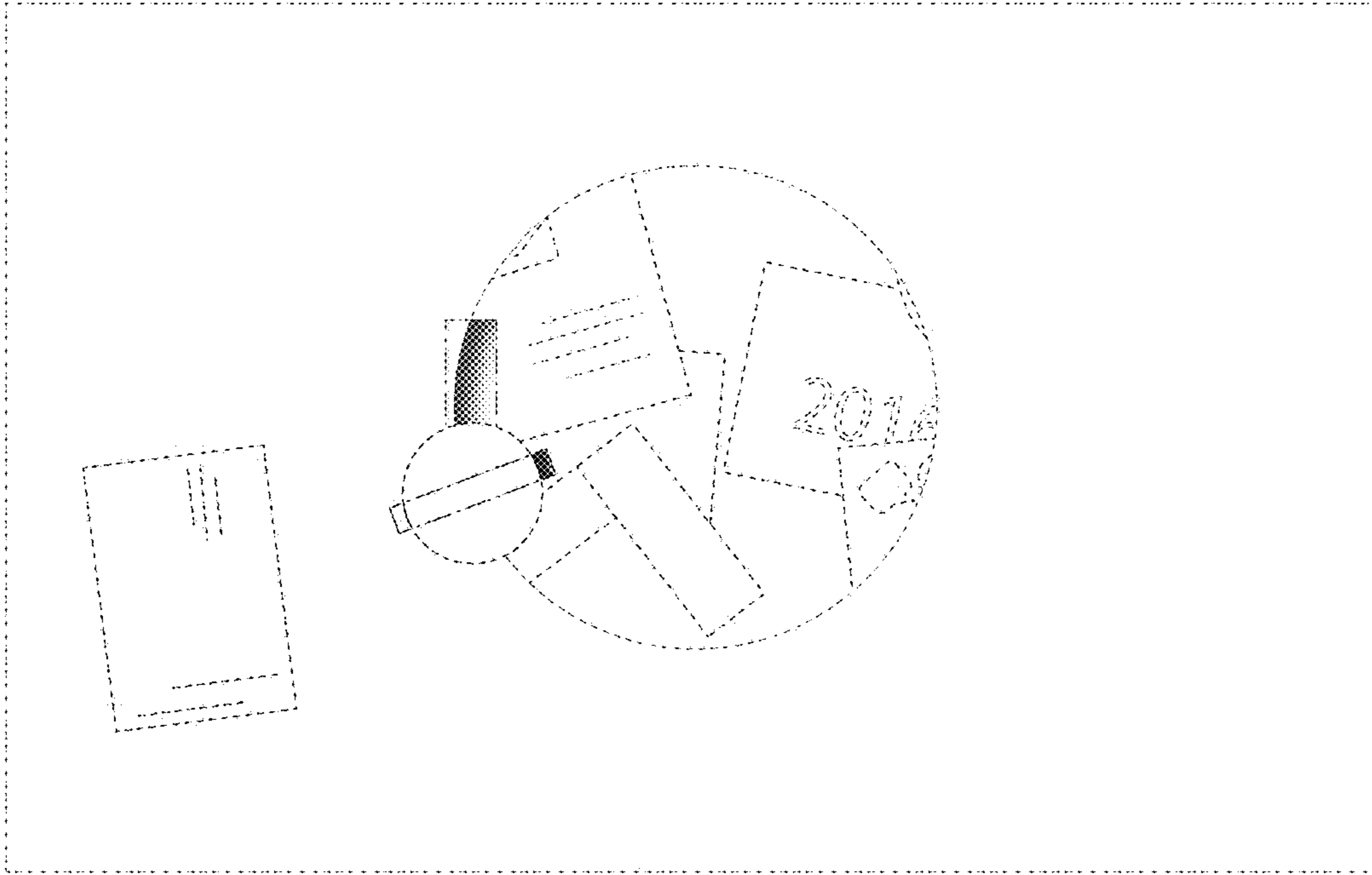


FIG.68

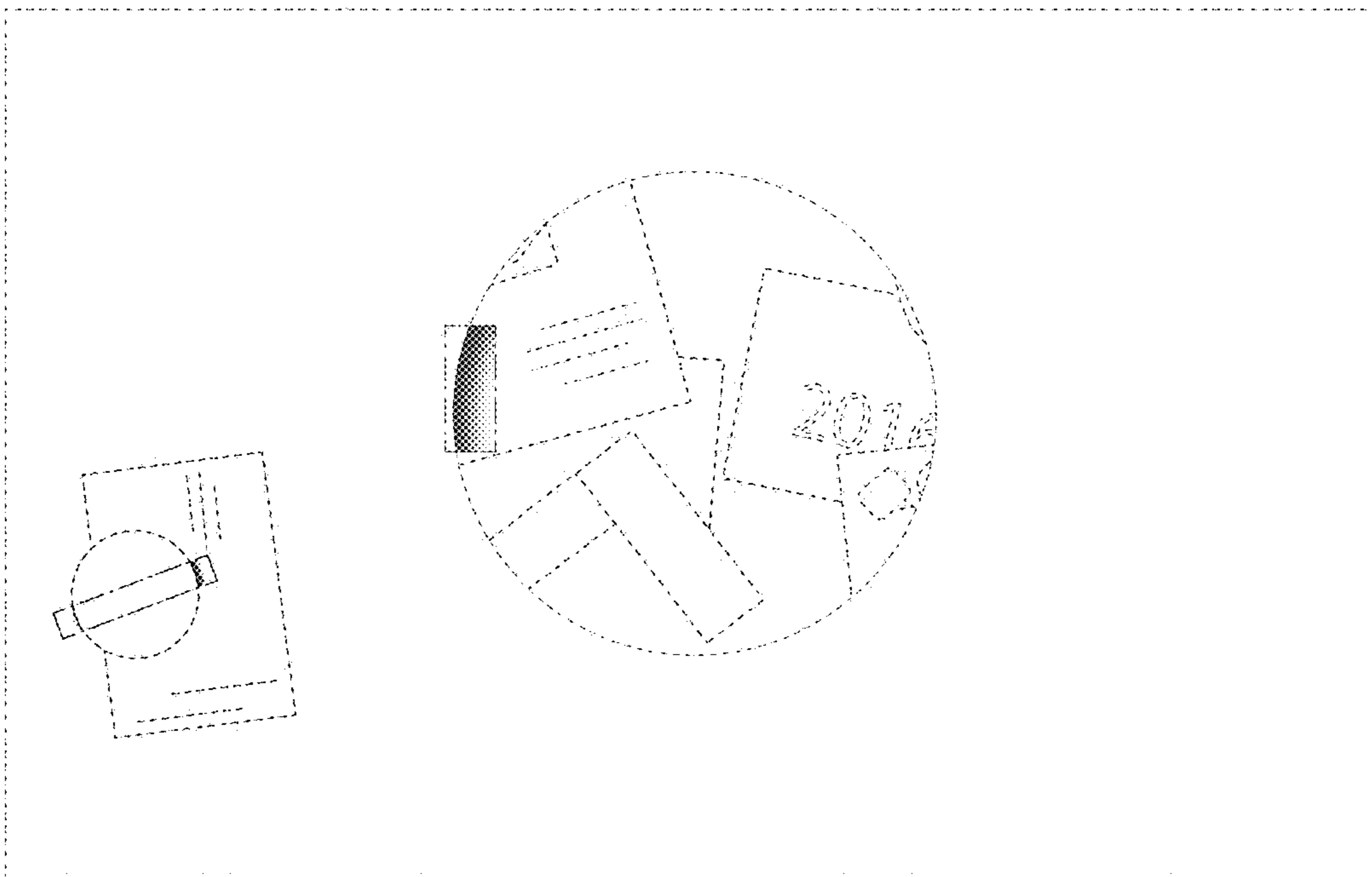


FIG.69

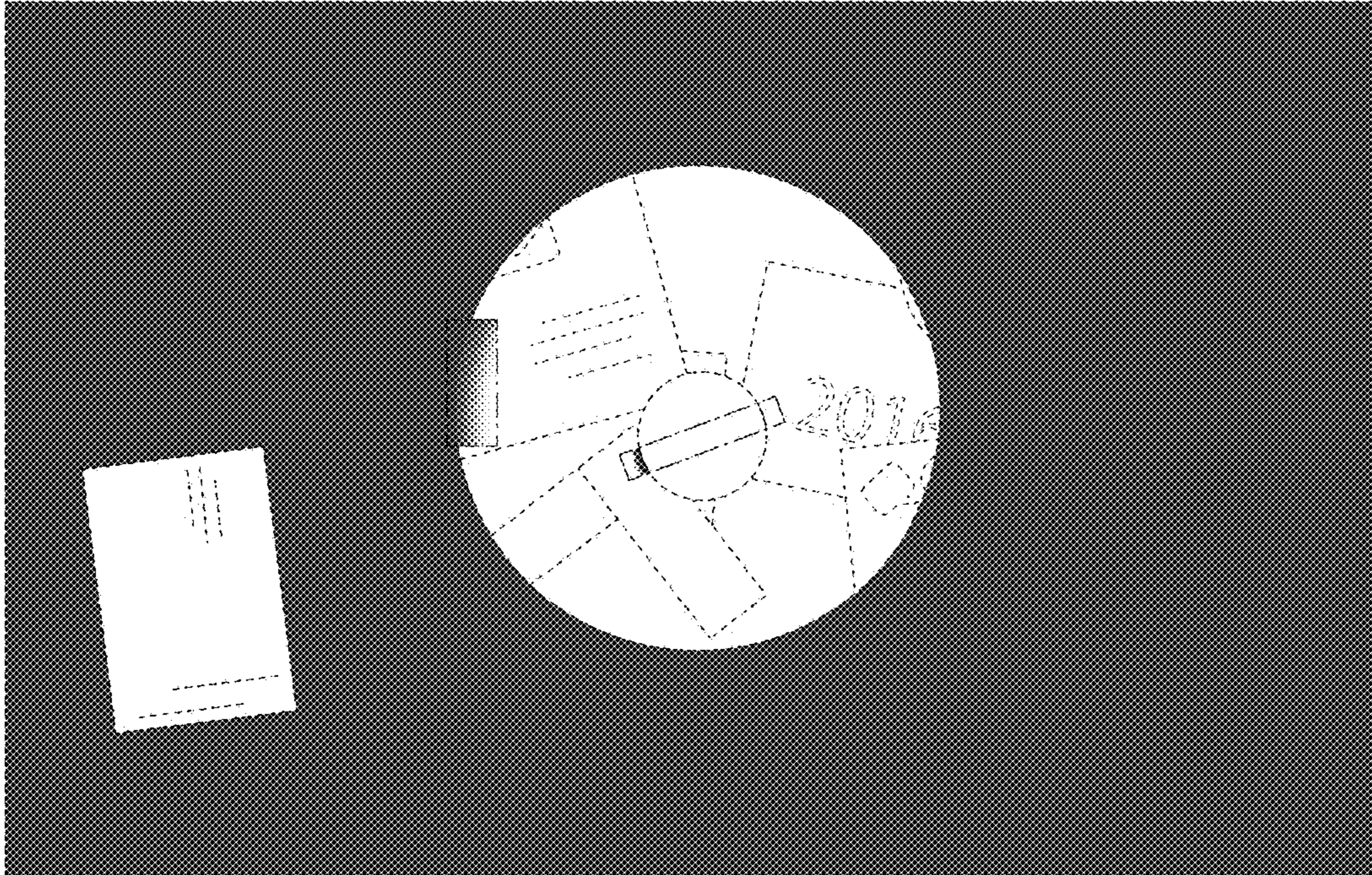


FIG.70

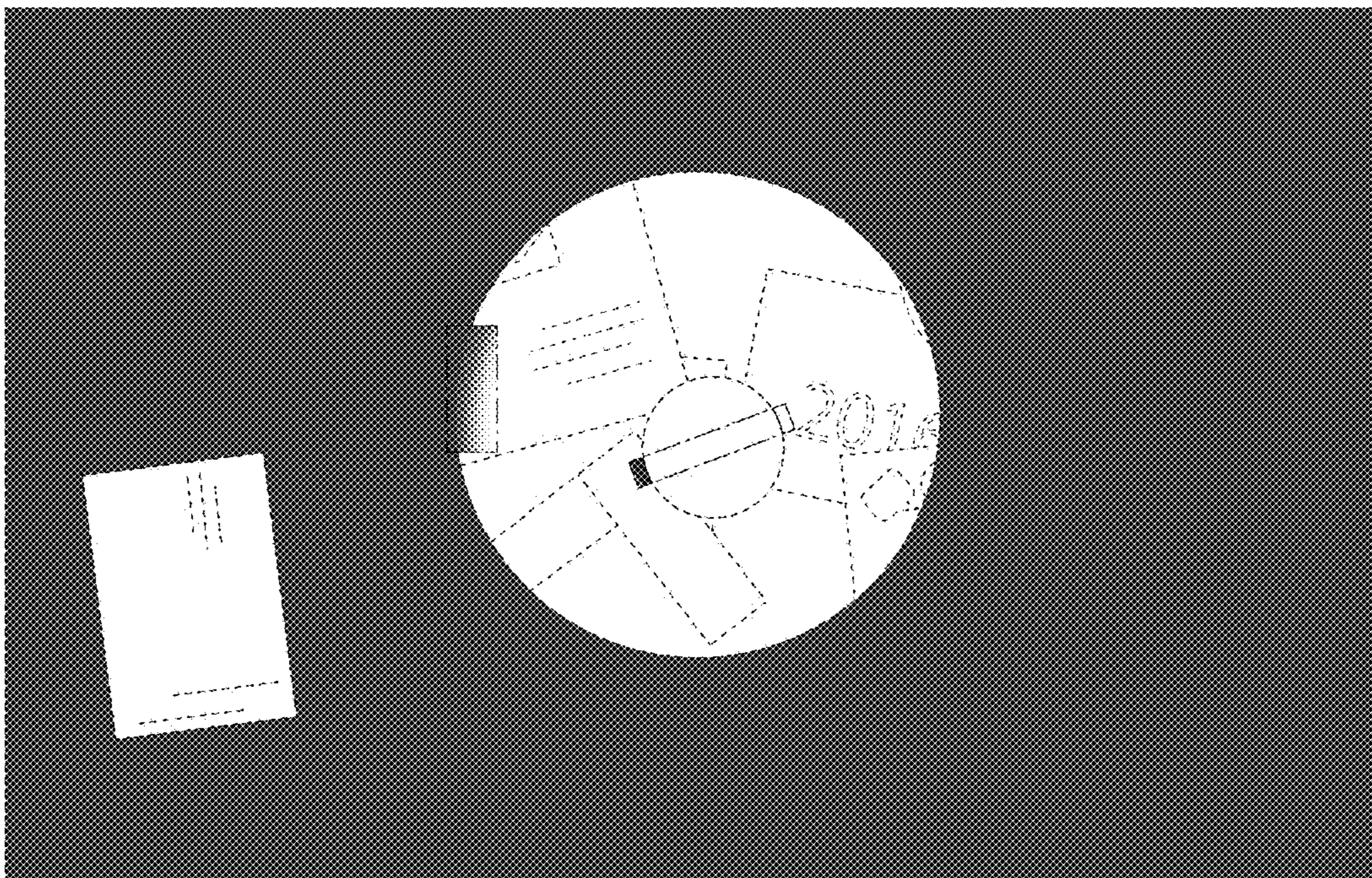


FIG.71

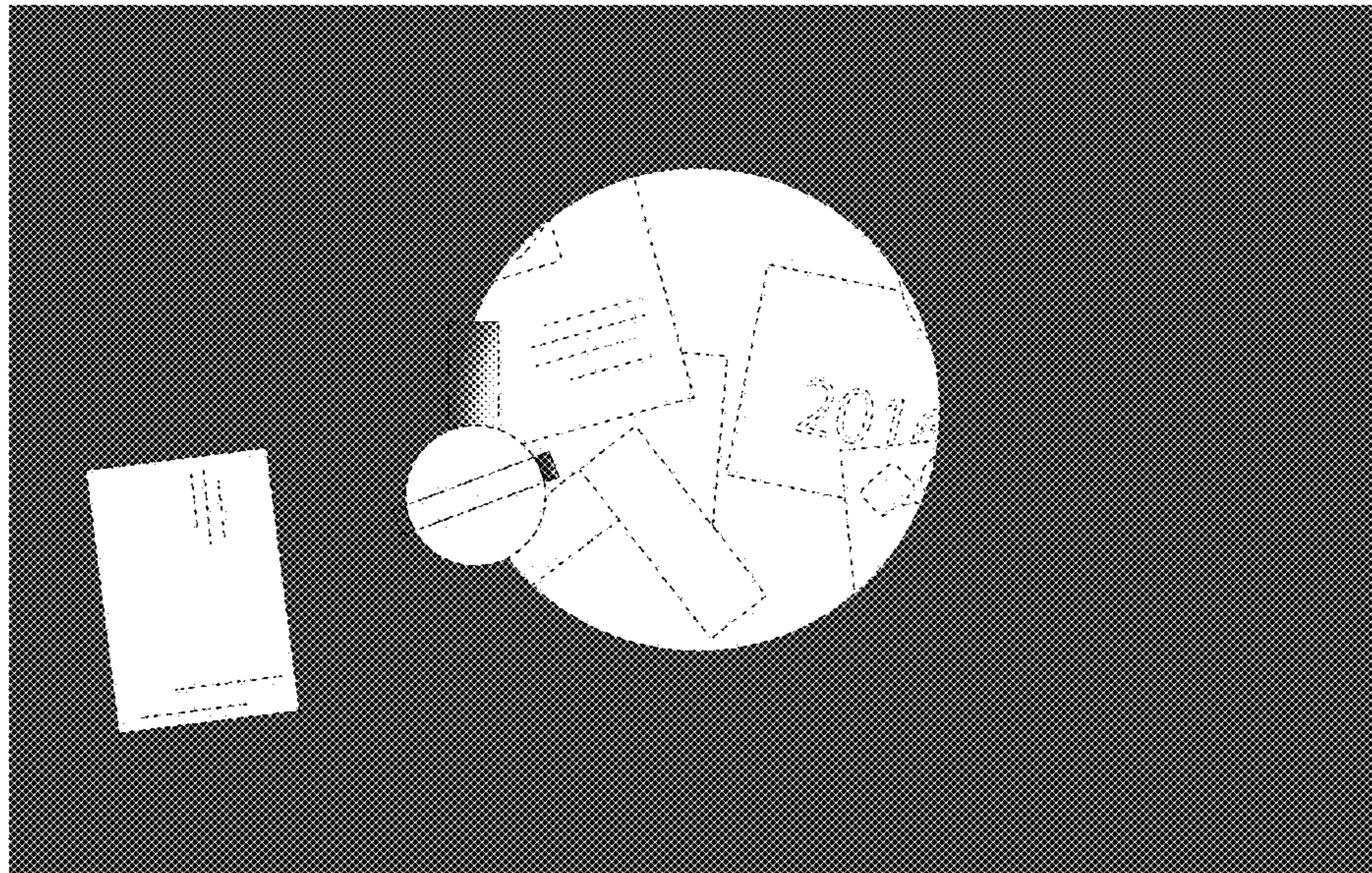


FIG.72

