



US00D802619S

(12) **United States Design Patent**  
**Kim et al.**

(10) **Patent No.:** **US D802,619 S**  
(45) **Date of Patent:** **\*\* Nov. 14, 2017**

(54) **DISPLAY SCREEN OR PORTION THEREOF WITH ANIMATED GRAPHICAL USER INTERFACE**

(71) Applicant: **Samsung Electronics Co., Ltd.**,  
Suwon-si, Gyeonggi-do (KR)

(72) Inventors: **Gyuchual Kim**, Incheon (KR);  
**Minkyung Cho**, Seoul (KR)

(73) Assignee: **SAMSUNG ELECTRONICS CO., LTD.**, Gyeonggi-Do (KR)

(\*\*) Term: **15 Years**

(21) Appl. No.: **29/549,114**

(22) Filed: **Dec. 18, 2015**

(30) **Foreign Application Priority Data**

Aug. 12, 2015 (KR) ..... 30-2015-0040592

(51) **LOC (10) Cl.** ..... **14-04**

(52) **U.S. Cl.**  
USPC ..... **D14/487; D14/488**

(58) **Field of Classification Search**  
USPC ..... D14/485–495

(Continued)

(56) **References Cited**

**U.S. PATENT DOCUMENTS**

D452,692 S \* 1/2002 Fukuda ..... D14/489  
6,369,837 B1 \* 4/2002 Schirmer ..... G06F 3/0485  
715/764

(Continued)

**FOREIGN PATENT DOCUMENTS**

CN 303232715 6/2015  
KR 300663554 10/2012

**OTHER PUBLICATIONS**

Messenger Watch UI/Voice Reply Interaction, Posted Sep. 21, 2014, pp. 1-12, Retrieved from the Internet Jul. 29, 2015 <URL:http://dribbble.com/shots/1734278-Messenger-Watch-UI-Voice-Reply-Interaction.

(Continued)

*Primary Examiner* — Karen Kearney

*Assistant Examiner* — Katherine Holbrow

(74) *Attorney, Agent, or Firm* — Cantor Colburn LLP

(57) **CLAIM**

We claim, the ornamental design for a display screen or portion thereof with animated graphical user interface, as shown and described.

**DESCRIPTION**

FIG. 1 is a first image in a sequence for a display screen or portion thereof with animated graphical user interface showing our new design in a first embodiment;

FIG. 2 is a second image in a sequence thereof;

FIG. 3 is a third image in a sequence thereof;

FIG. 4 is a fourth image in a sequence thereof;

FIG. 5 is a fifth image in a sequence thereof;

FIG. 6 is a first image in a sequence for a display screen or portion thereof with animated graphical user interface showing our new design in a second embodiment;

FIG. 7 is a second image in a sequence thereof;

FIG. 8 is a third image in a sequence thereof;

FIG. 9 is a fourth image in a sequence thereof;

FIG. 10 is a fifth image in a sequence thereof;

FIG. 11 is a first image in a sequence for a display screen or portion thereof with animated graphical user interface showing our new design in a third embodiment;

FIG. 12 is a second image in a sequence thereof;

FIG. 13 is an third image in a sequence thereof;

FIG. 14 is a fourth image in a sequence thereof;

FIG. 15 is a fifth image in a sequence thereof;

FIG. 16 is a sixth image in a sequence thereof;

FIG. 17 is a first image in a sequence for a display screen or portion thereof with animated graphical user interface showing our new design in a fourth embodiment;

FIG. 18 is a second image in a sequence thereof;

FIG. 19 is an third image in a sequence thereof;

FIG. 20 is a fourth image in a sequence thereof;

(Continued)

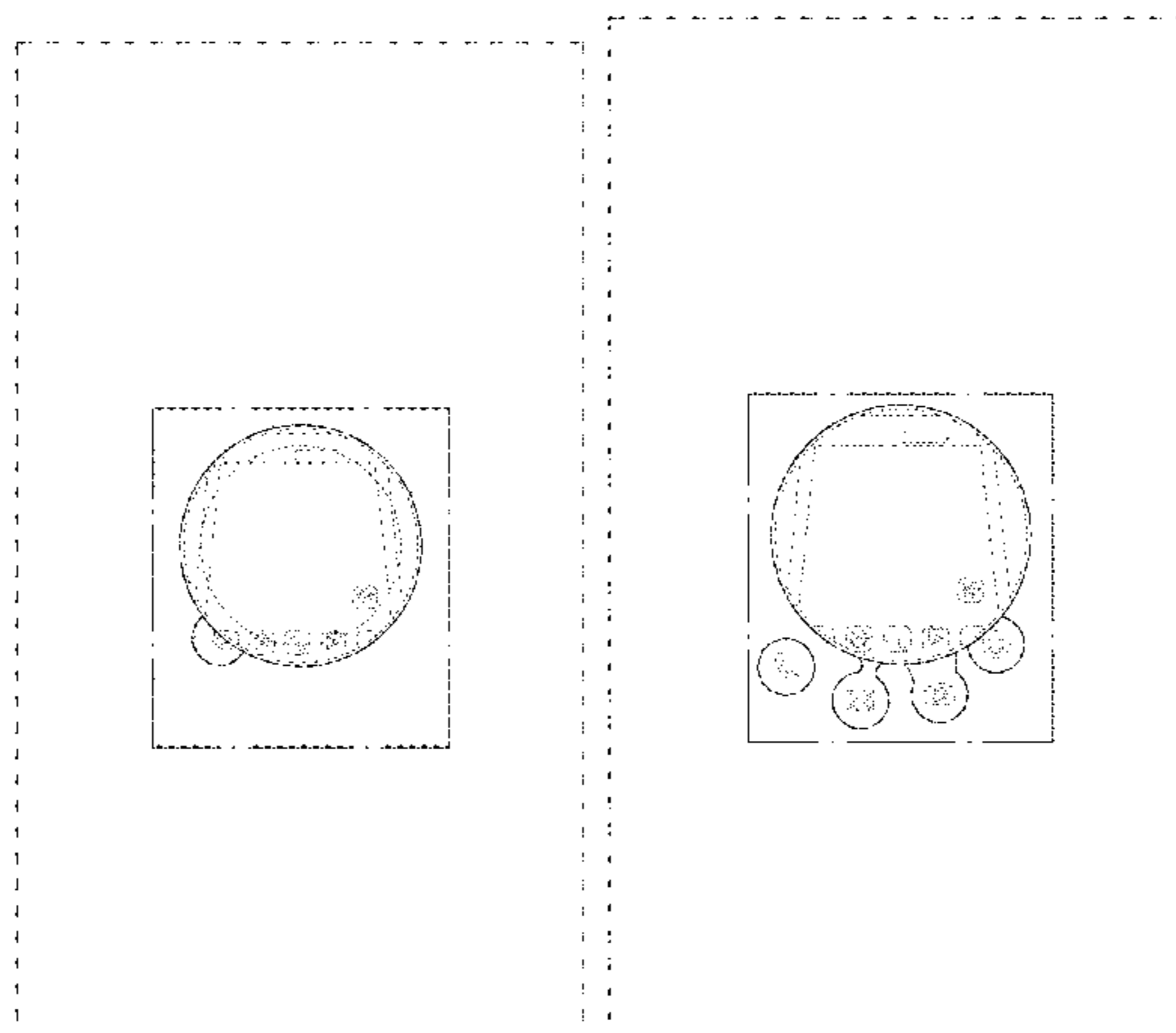


FIG. 21 is a fifth image in a sequence thereof; and, FIG. 22 is a sixth image in a sequence thereof. The broken lines showing the display screen or portion thereof and portions of the graphical user interface are included for the purpose of illustrating environmental structure and form no part of the claimed design. The dash dot broken line rectangle shows the bounds of the claimed design and forms no part of the claimed design. The negative space between the dot-dash broken line and solid lines forms no part of the claimed design. The appearance of the transitional image sequentially transitions between the images shown in FIGS. 1-5, FIGS. 6-10, FIGS. 11-16, and FIGS. 17-22. The process or period in which one image transitions to another forms no part of the claimed design.

**1 Claim, 22 Drawing Sheets**

(58) **Field of Classification Search**

CPC ... G06F 3/0481; G06F 3/0482; G06F 3/04842  
See application file for complete search history.

(56) **References Cited**

U.S. PATENT DOCUMENTS

6,392,662	B1 *	5/2002	Bou	.....	G06F 3/0481	
						178/18.01
D476,903	S *	7/2003	Chan	.....	D10/15	
6,857,106	B1 *	2/2005	Brouaux	.....	G06F 3/0481	
						345/630
D637,197	S *	5/2011	Ray	.....	D14/486	
D690,728	S *	10/2013	Brinda	.....	D14/488	
D693,836	S *	11/2013	Bouchier	.....	D14/486	
D693,837	S *	11/2013	Bouchier	.....	D14/486	
8,578,294	B2 *	11/2013	Eom	.....	G06F 3/0482	
						715/769
D706,806	S *	6/2014	Nishizawa	.....	D14/488	
D707,701	S *	6/2014	d'Amore	.....	D14/487	
D708,203	S *	7/2014	Johnson	.....	D14/487	
D729,819	S *	5/2015	Beaty	.....	D14/485	
D746,855	S *	1/2016	Choi	.....	D14/488	
D746,859	S *	1/2016	Sabia	.....	D14/488	
D749,606	S *	2/2016	Wang	.....	D14/486	

D753,177	S *	4/2016	Mierau	.....	D14/488	
D755,820	S *	5/2016	Wang	.....	D14/486	
D760,769	S *	7/2016	Ishii	.....	D14/488	
D761,844	S *	7/2016	Patil	.....	D14/488	
D775,148	S *	12/2016	Anzures	.....	D14/485	
D775,185	S *	12/2016	Anzures	.....	D14/488	
D777,768	S *	1/2017	Persson	.....	D14/487	
D778,314	S *	2/2017	Li	.....	D14/488	
D786,269	S *	5/2017	Lin	.....	D14/485	
D788,138	S *	5/2017	Lee	.....	D14/486	
2005/0071771	A1 *	3/2005	Nagasawa	.....	G06F 3/04817	
						715/765
2006/0095865	A1 *	5/2006	Rostom	.....	G06F 3/0482	
						715/810
2007/0008300	A1 *	1/2007	Yang	.....	G06F 3/04886	
						345/173
2010/0050117	A1 *	2/2010	Sherrard	.....	G06F 3/04817	
						715/810
2010/0100848	A1 *	4/2010	Ananian	.....	G06F 3/0482	
						715/834
2010/0124946	A1 *	5/2010	Chun	.....	G06F 3/0416	
						455/566
2010/0269039	A1 *	10/2010	Pahlavan	.....	G06F 3/0481	
						715/702
2014/0101576	A1 *	4/2014	Kwak	.....	G06F 3/0482	
						715/761
2014/0157188	A1 *	6/2014	Miura	.....	G06F 3/0482	
						715/784
2014/0160078	A1 *	6/2014	Seo	.....	G06F 3/017	
						345/175
2014/0236789	A1 *	8/2014	Caldwell	.....	G06Q 40/02	
						705/35
2014/0237425	A1 *	8/2014	Chan	.....	G06F 3/0482	
						715/810
2015/0082243	A1 *	3/2015	Taylor	.....	G06F 3/0482	
						715/814

OTHER PUBLICATIONS

Second Wind for Apple Watch animation, Posted Sep. 17, 2014, pp. 1-6, Retrieved from the Internet Jul. 31, 2015 <URL:https://dribbble.com/shots/1729364-Second-Wind-for-Apple-Watch.  
Weather-Android Wear, Posted Mar. 19, 2014, pp. 1-13, Retrieved from the Internet Jul. 29, 2015 <https://dribbble.com/shots/1470538-Weather-Android-Wear.

\* cited by examiner

FIG. 1

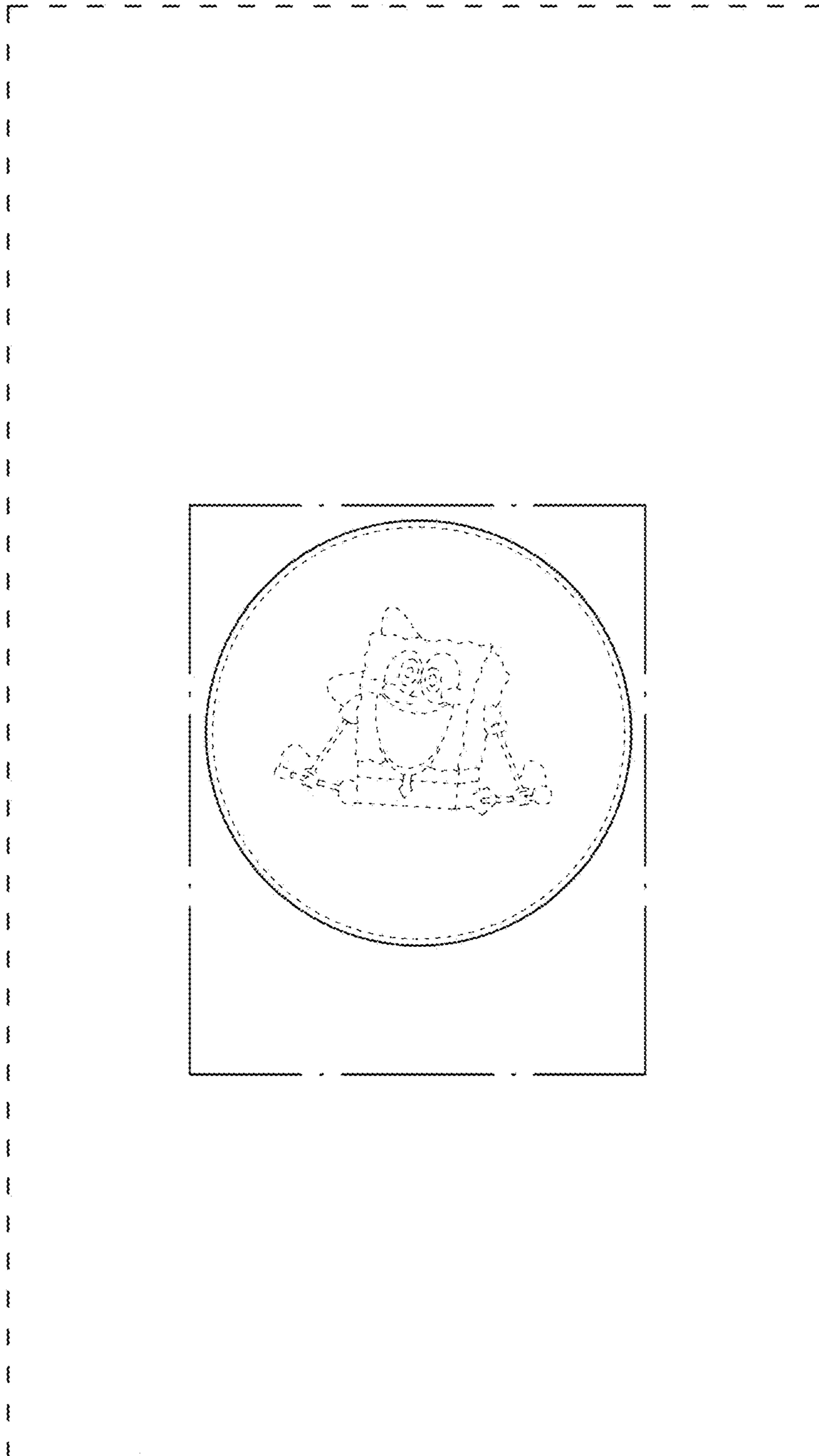


FIG. 2

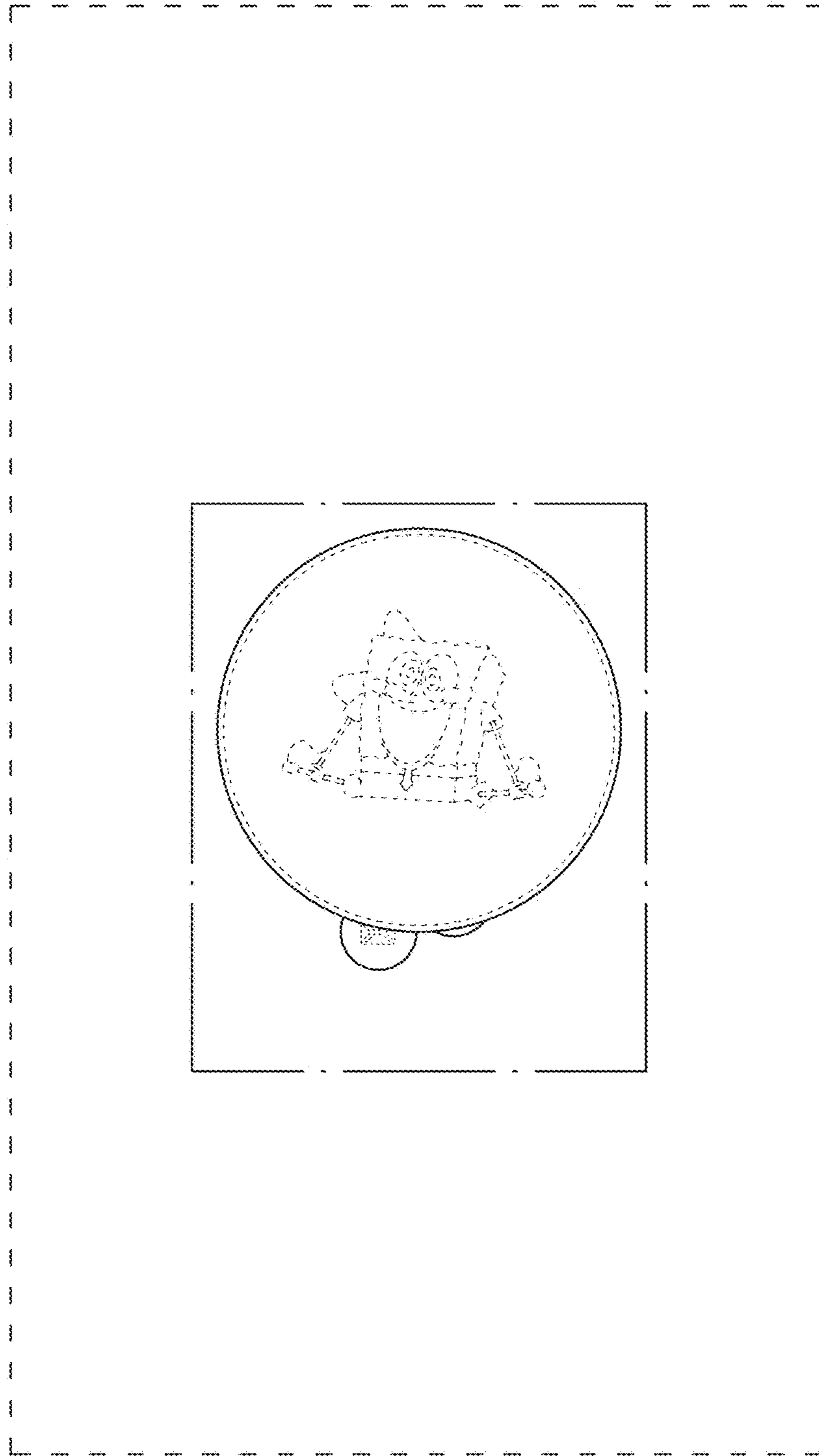




FIG. 3

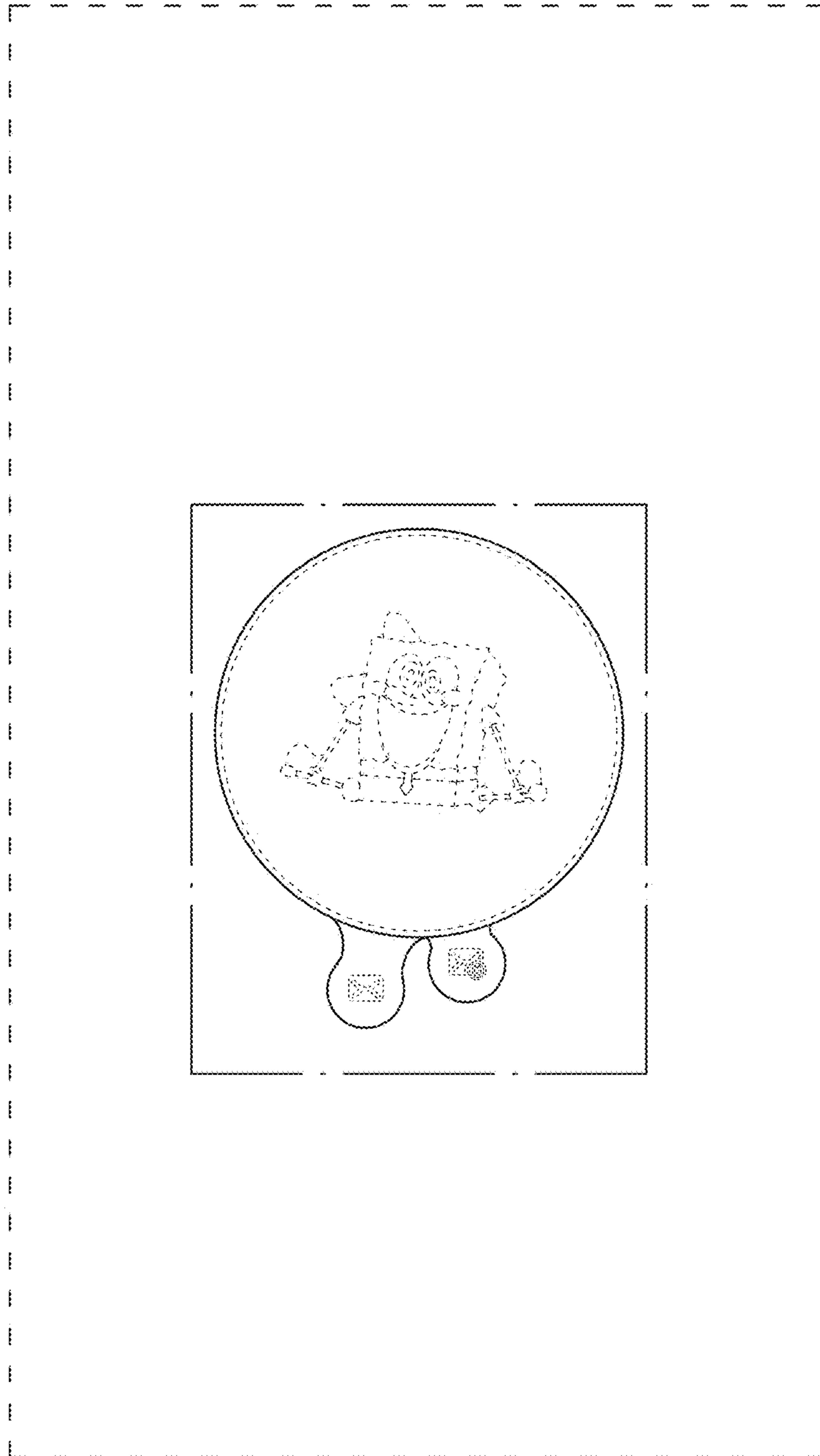


FIG. 4

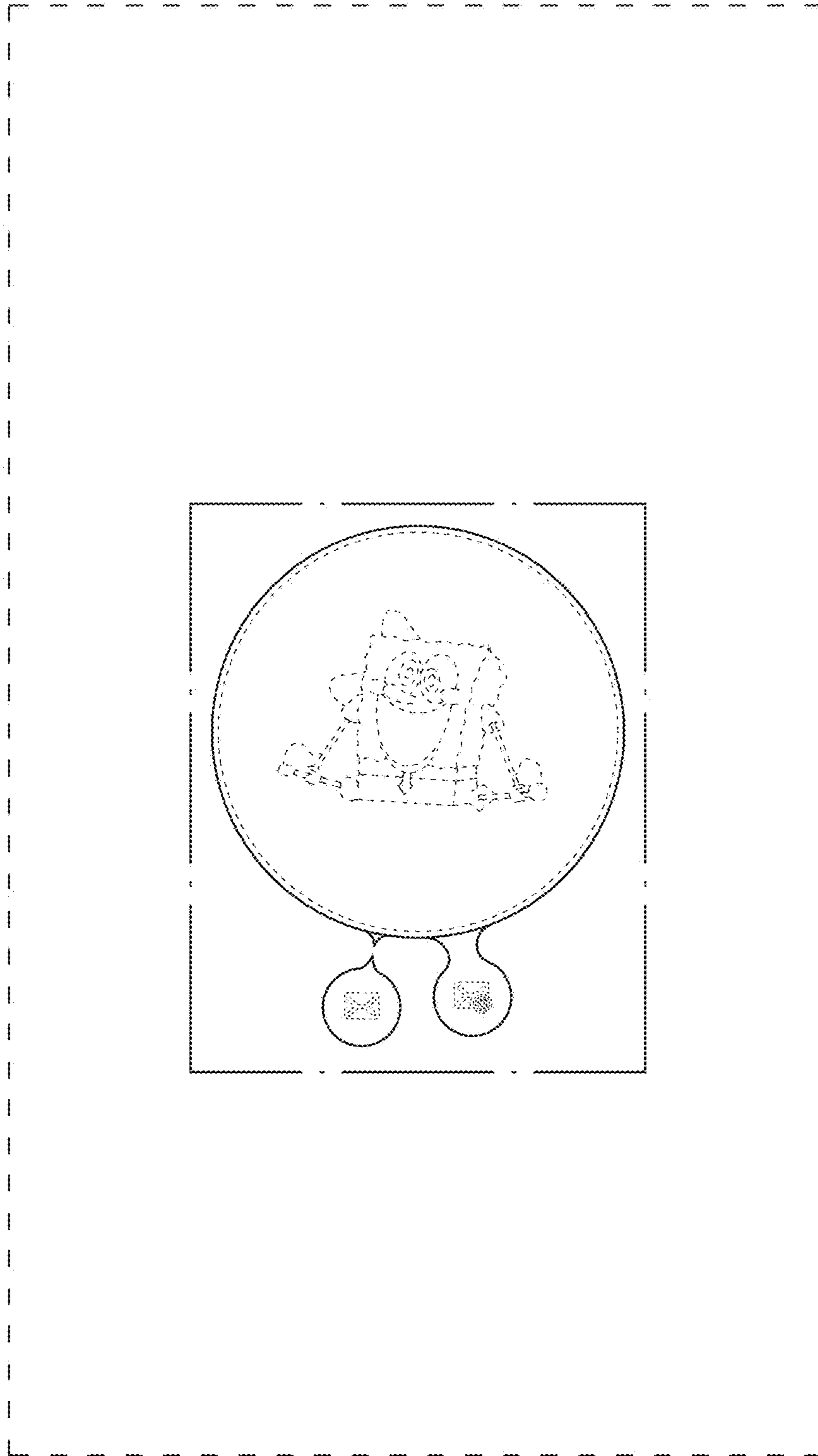


FIG. 5

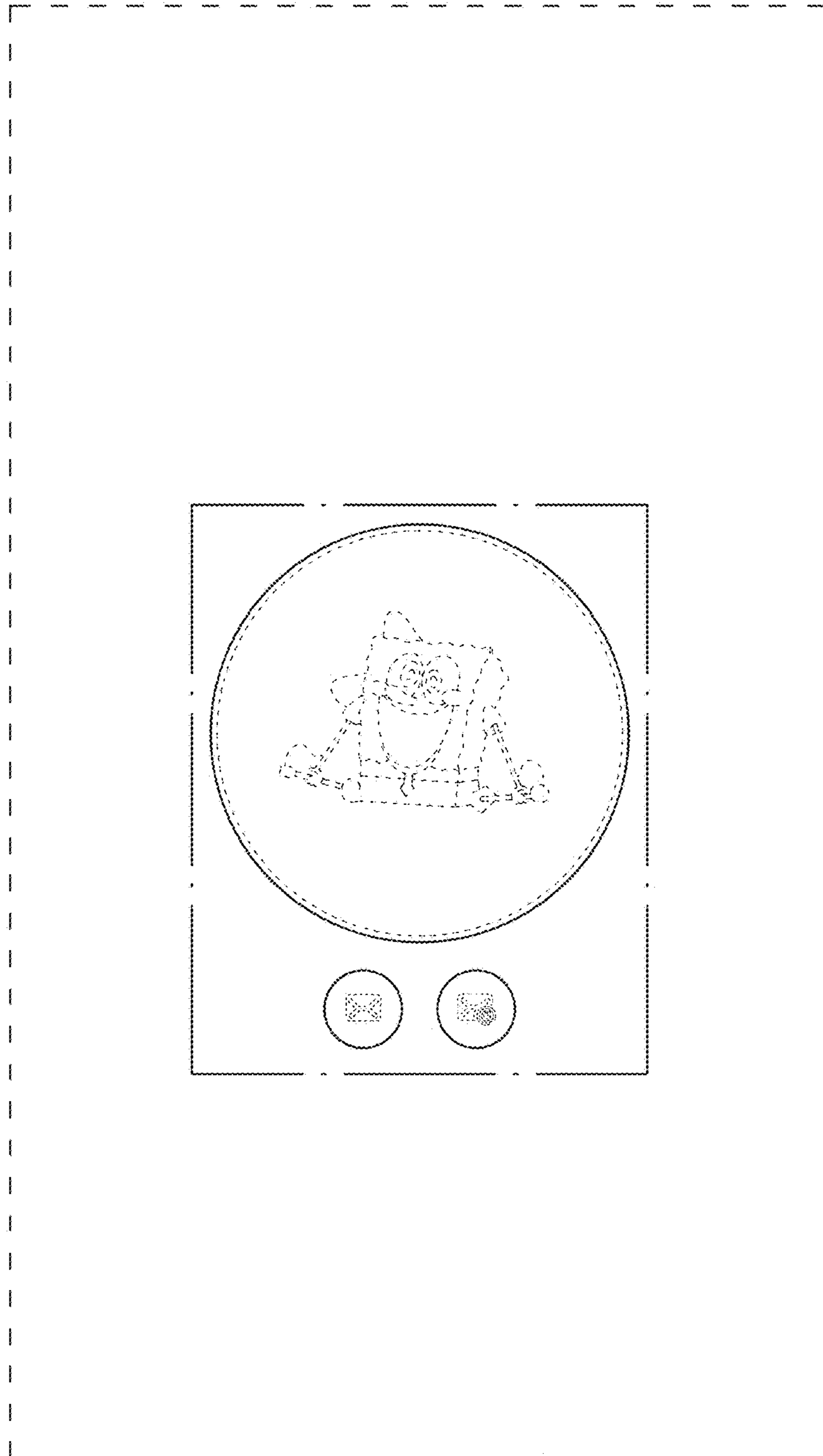


FIG. 6

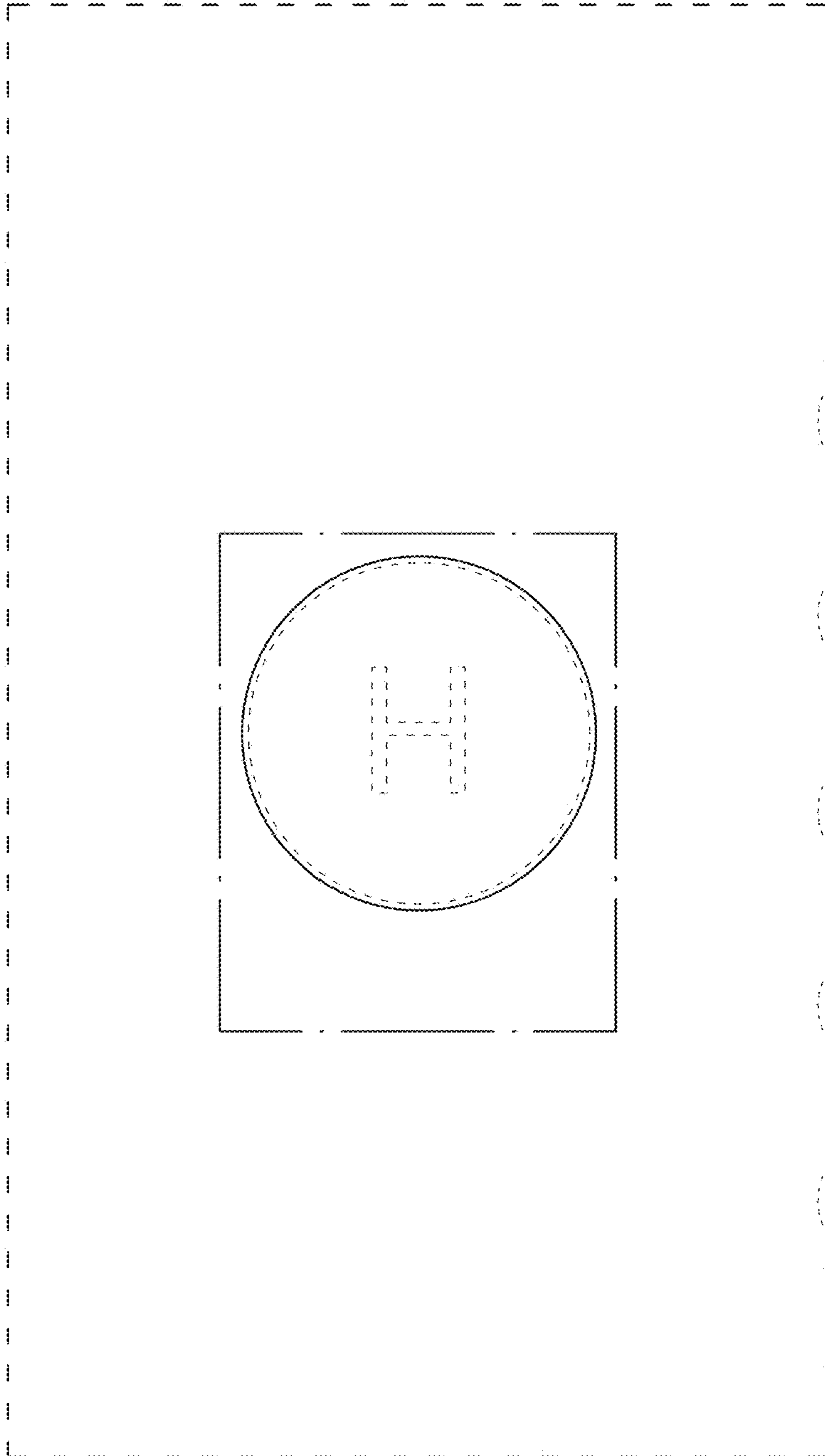




FIG. 7

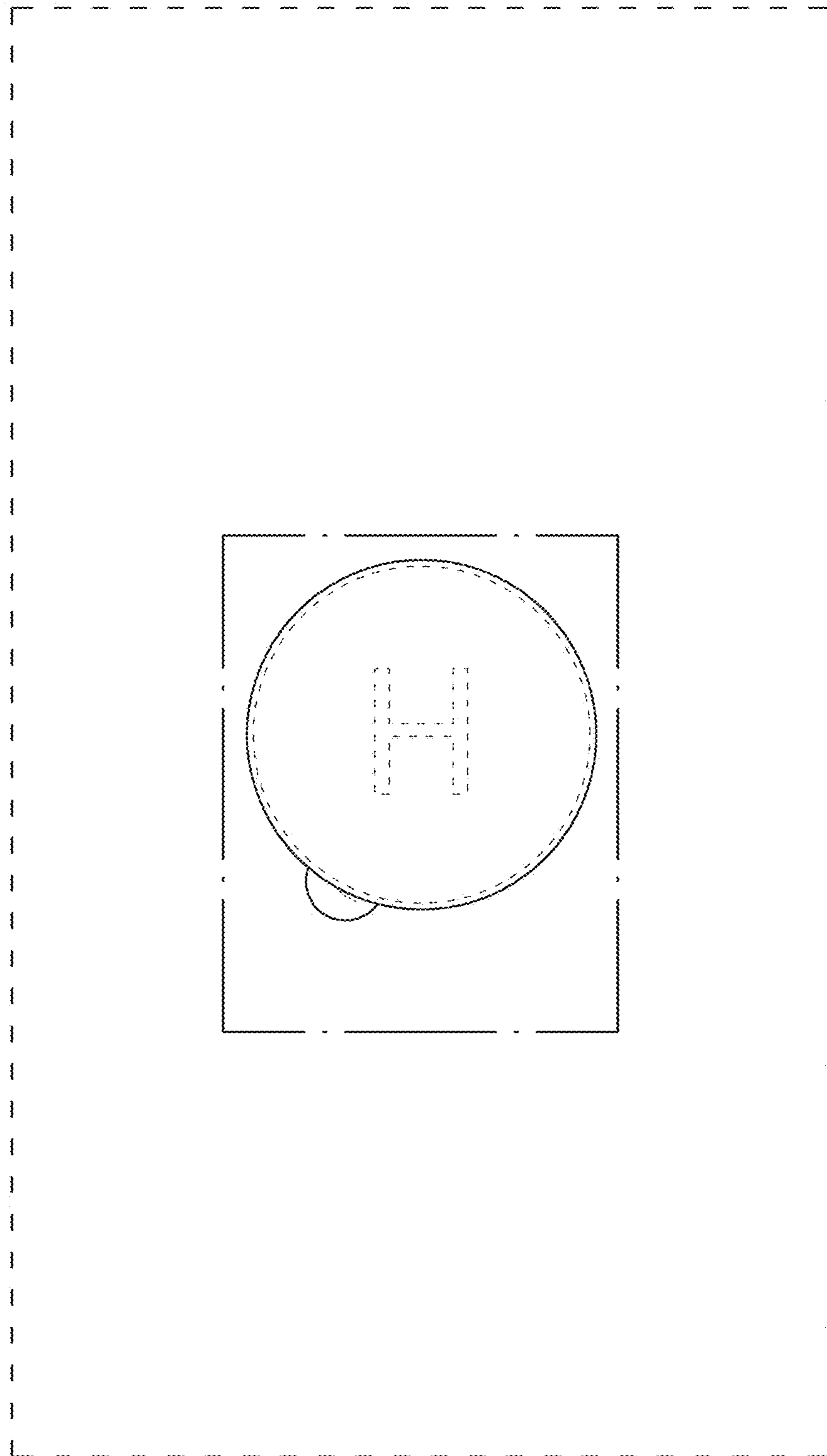


FIG. 8

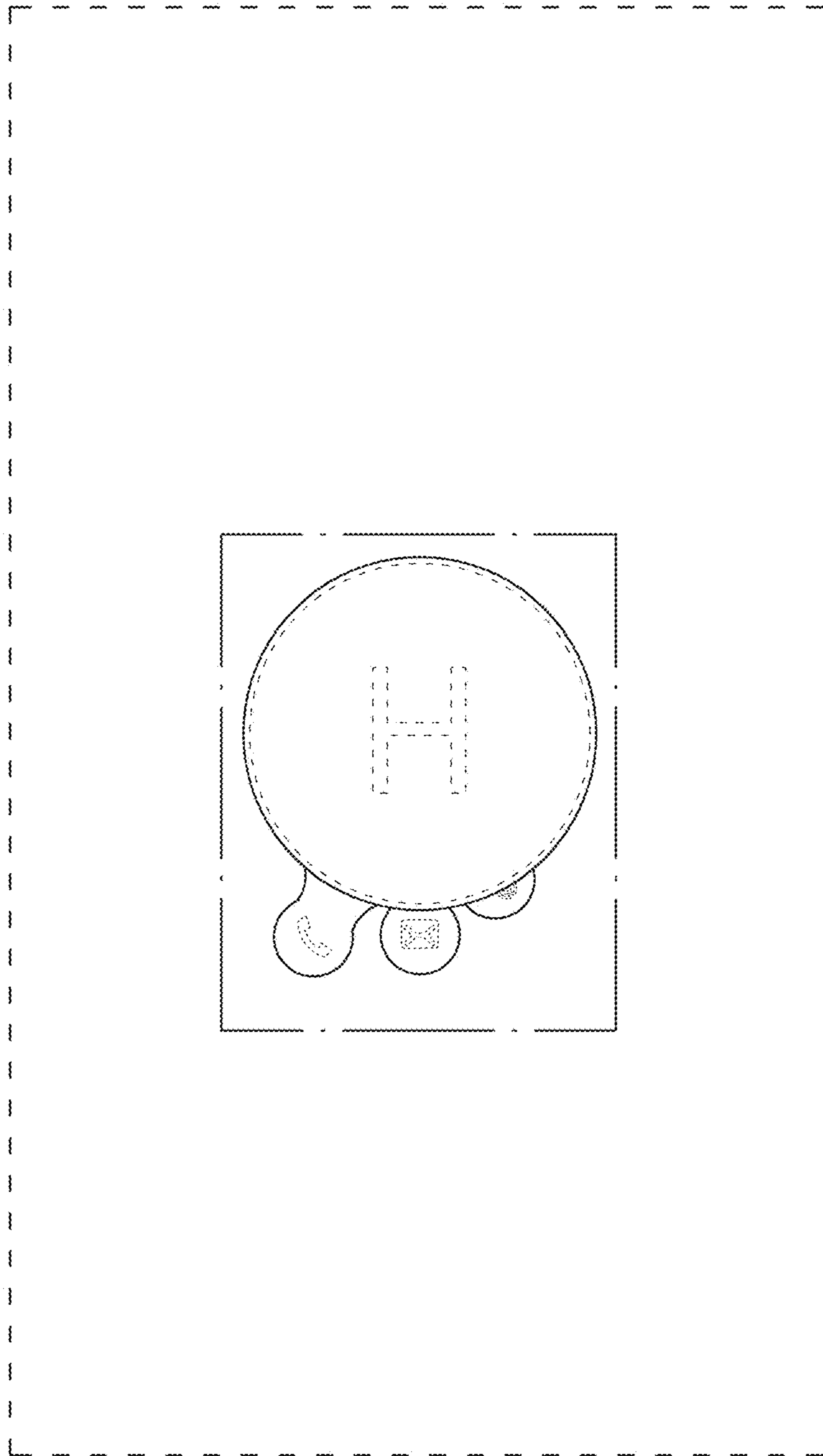


FIG. 9

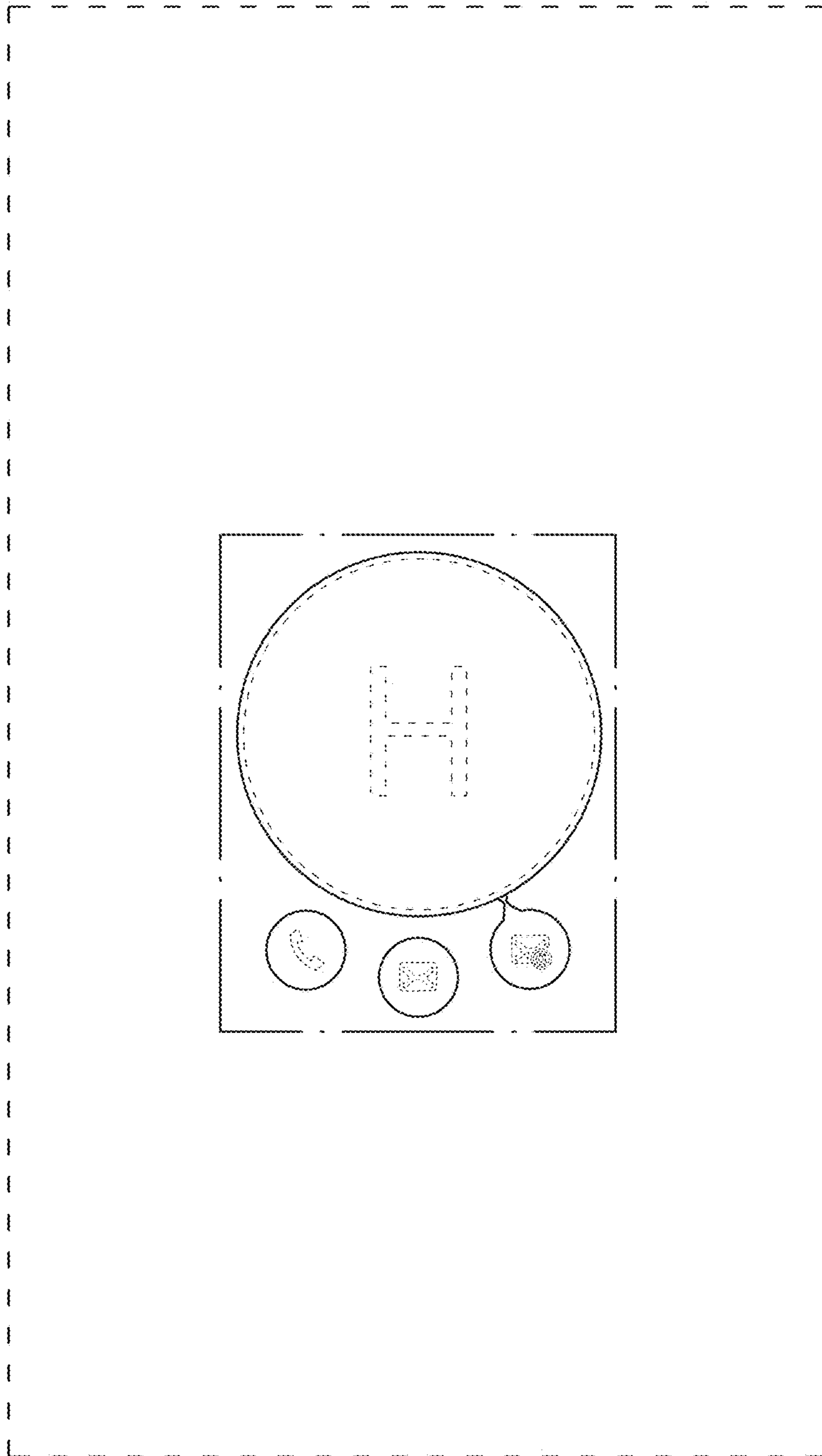


FIG. 10

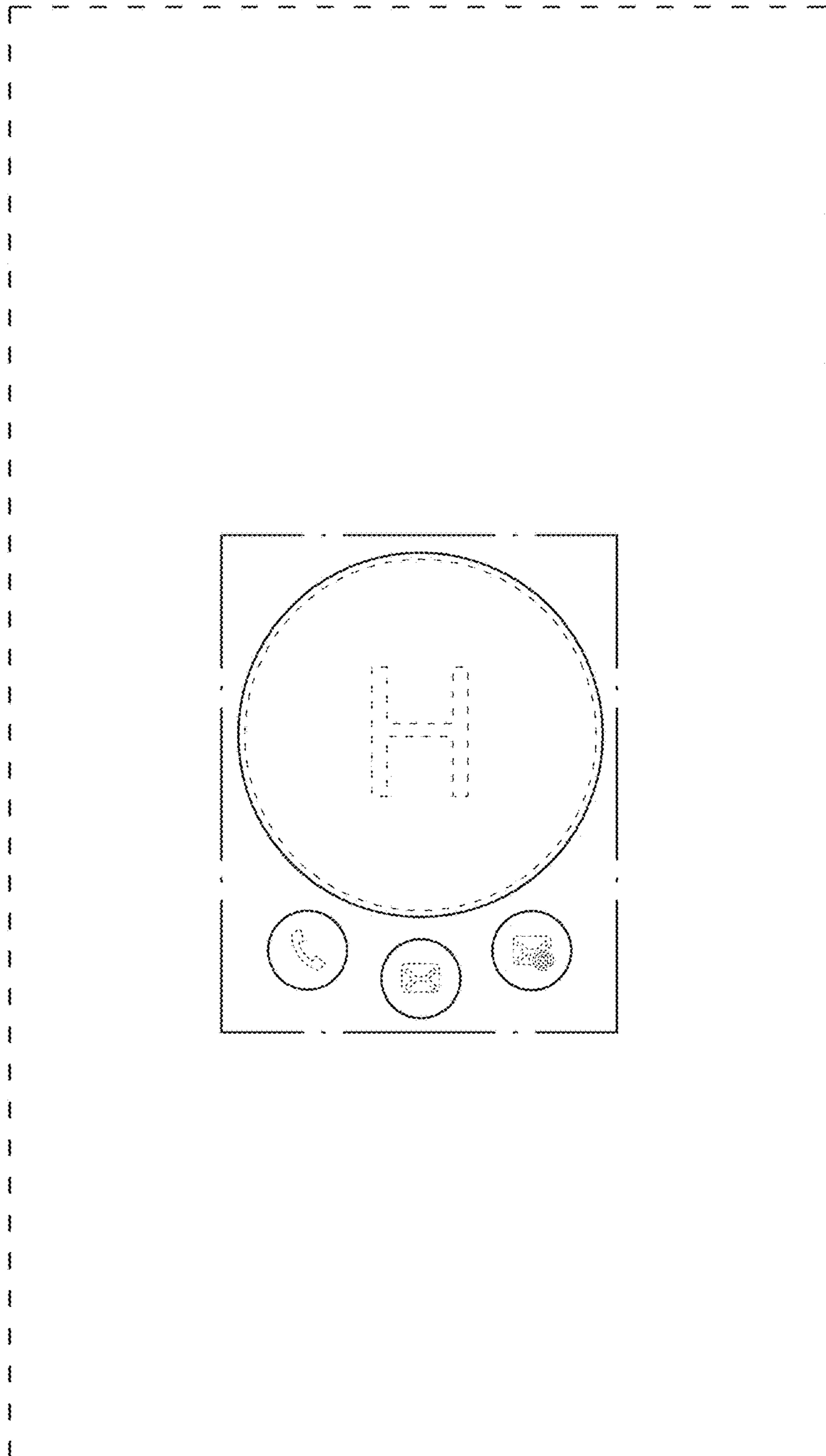


FIG. 11

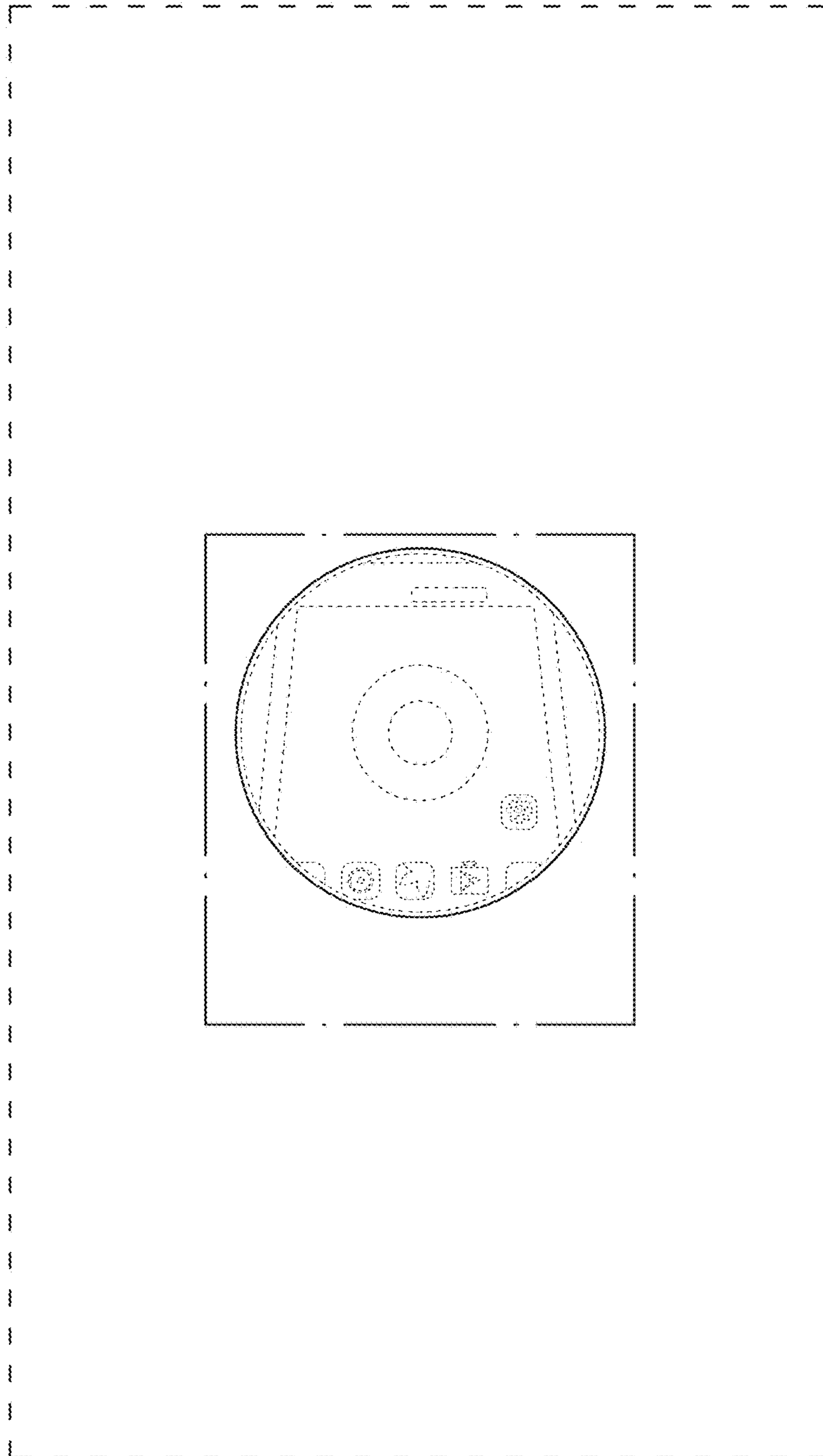




FIG. 12

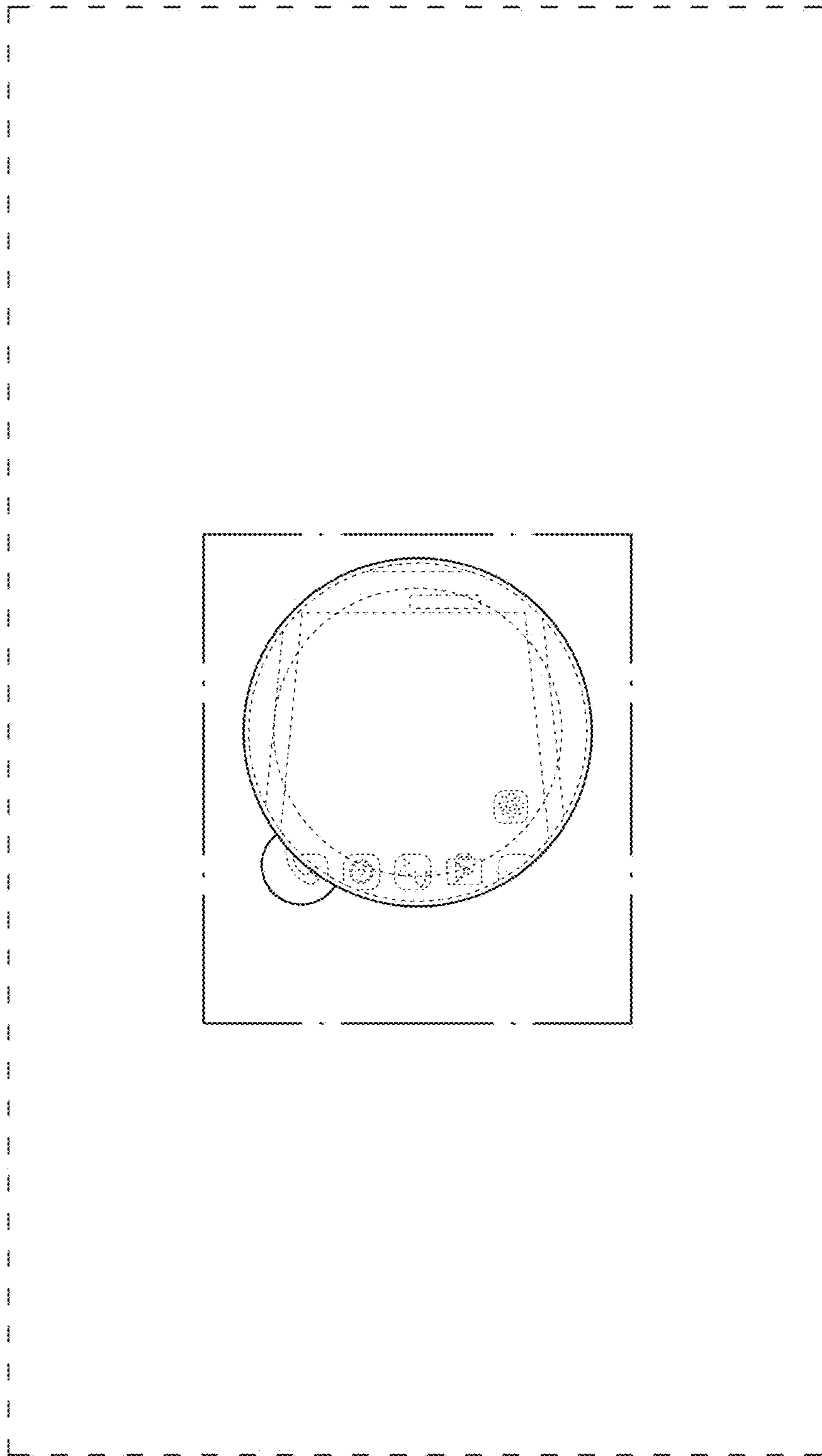


FIG. 13

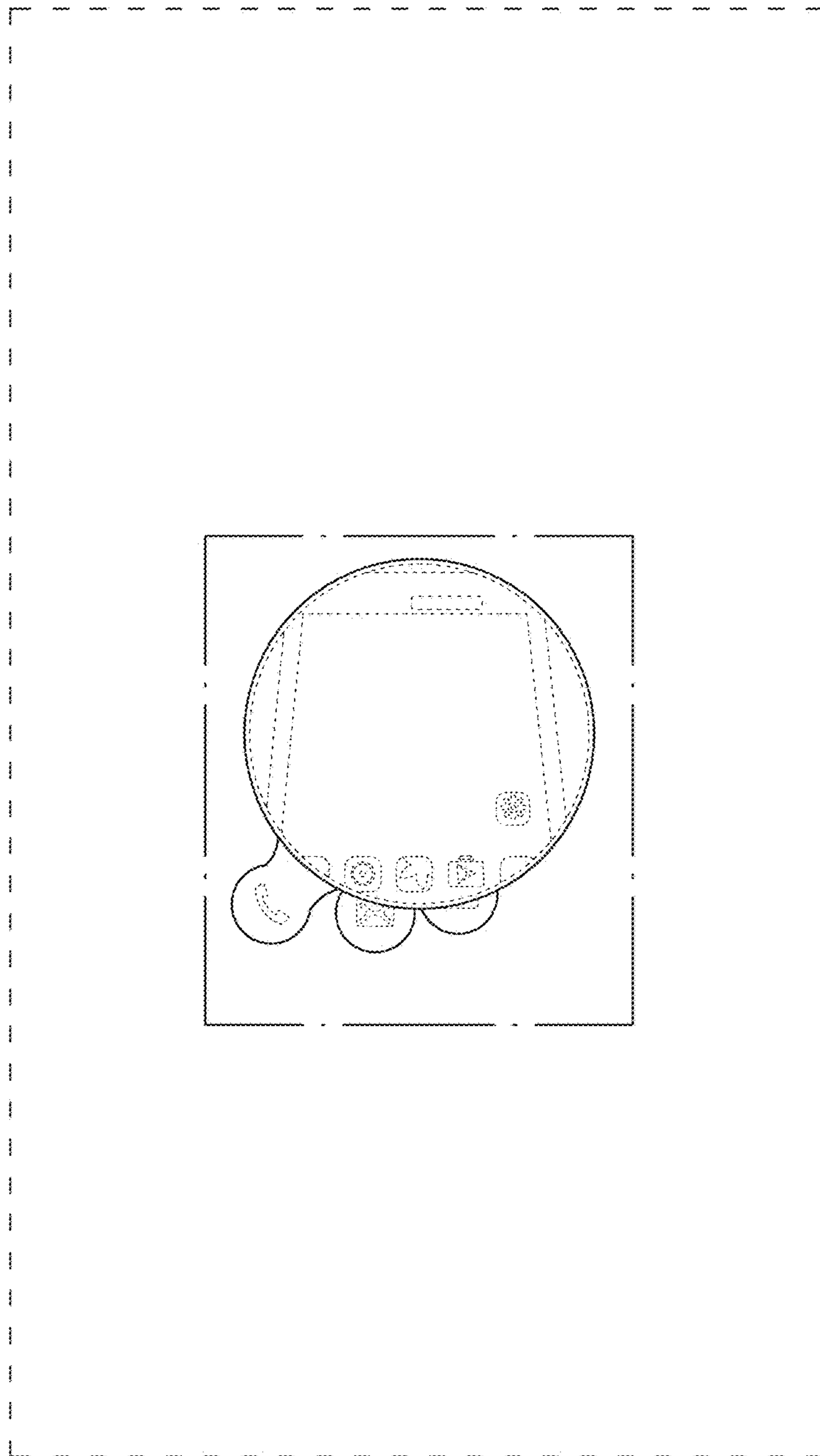


FIG. 14

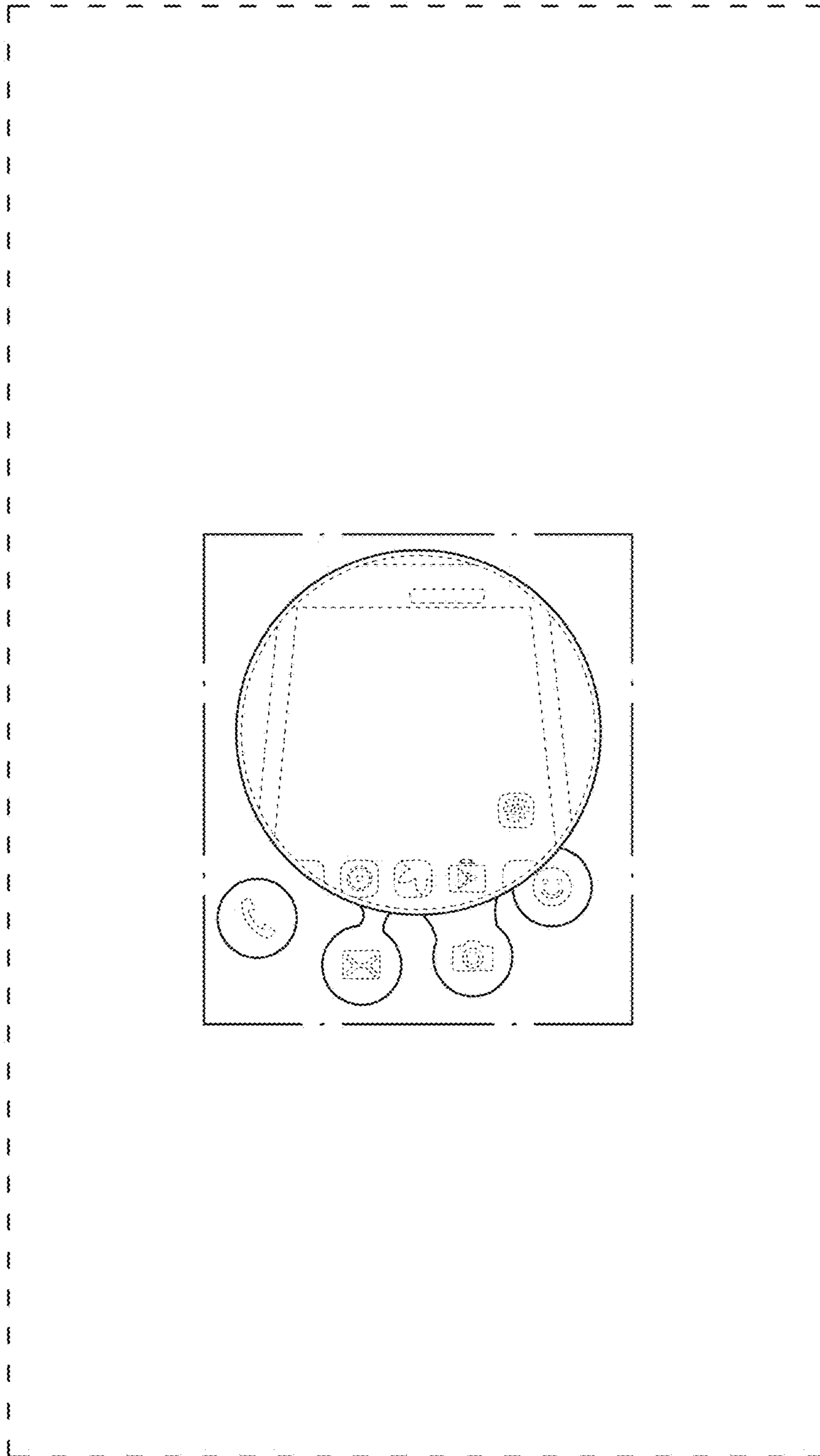


FIG. 15

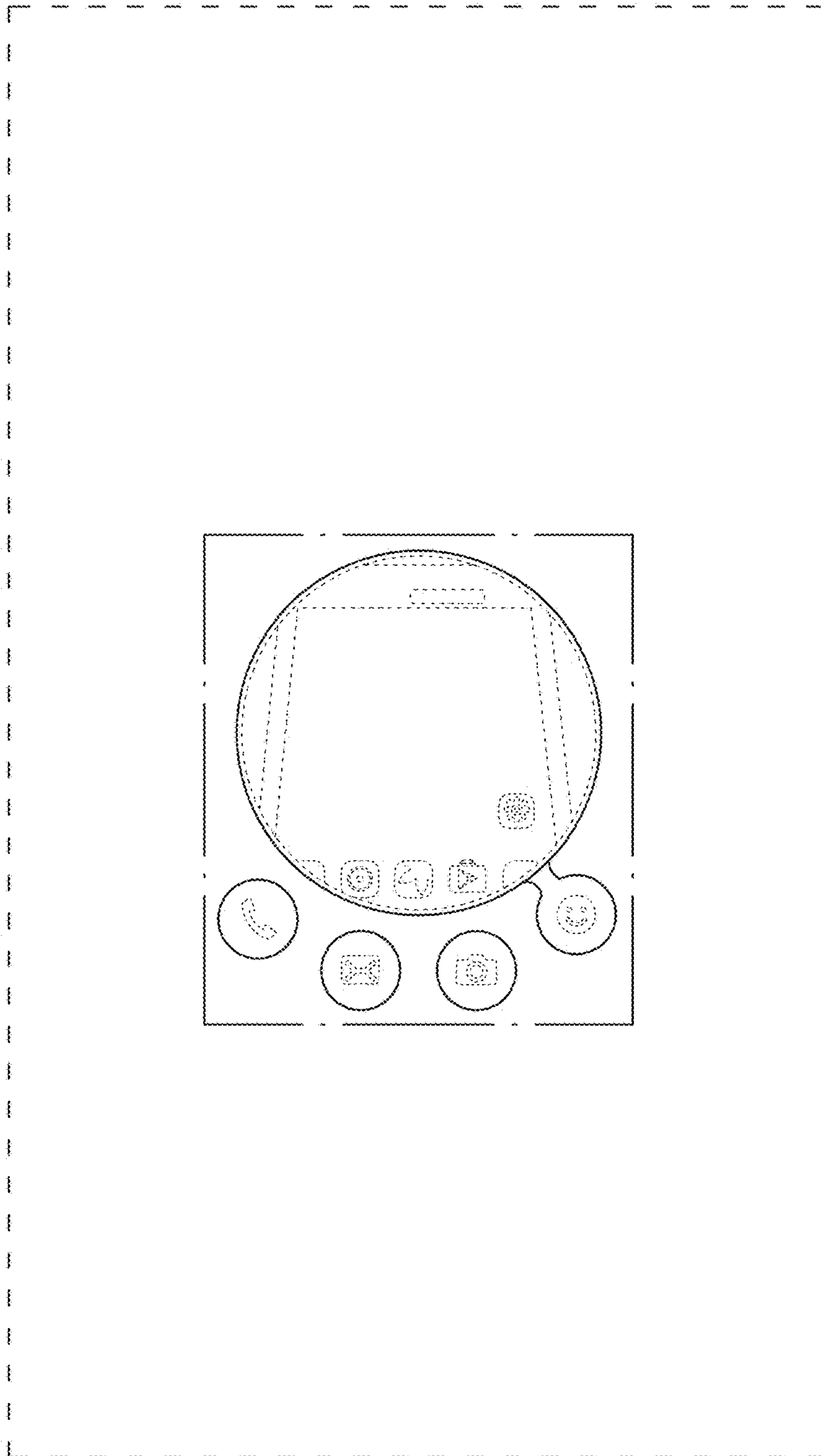


FIG. 16

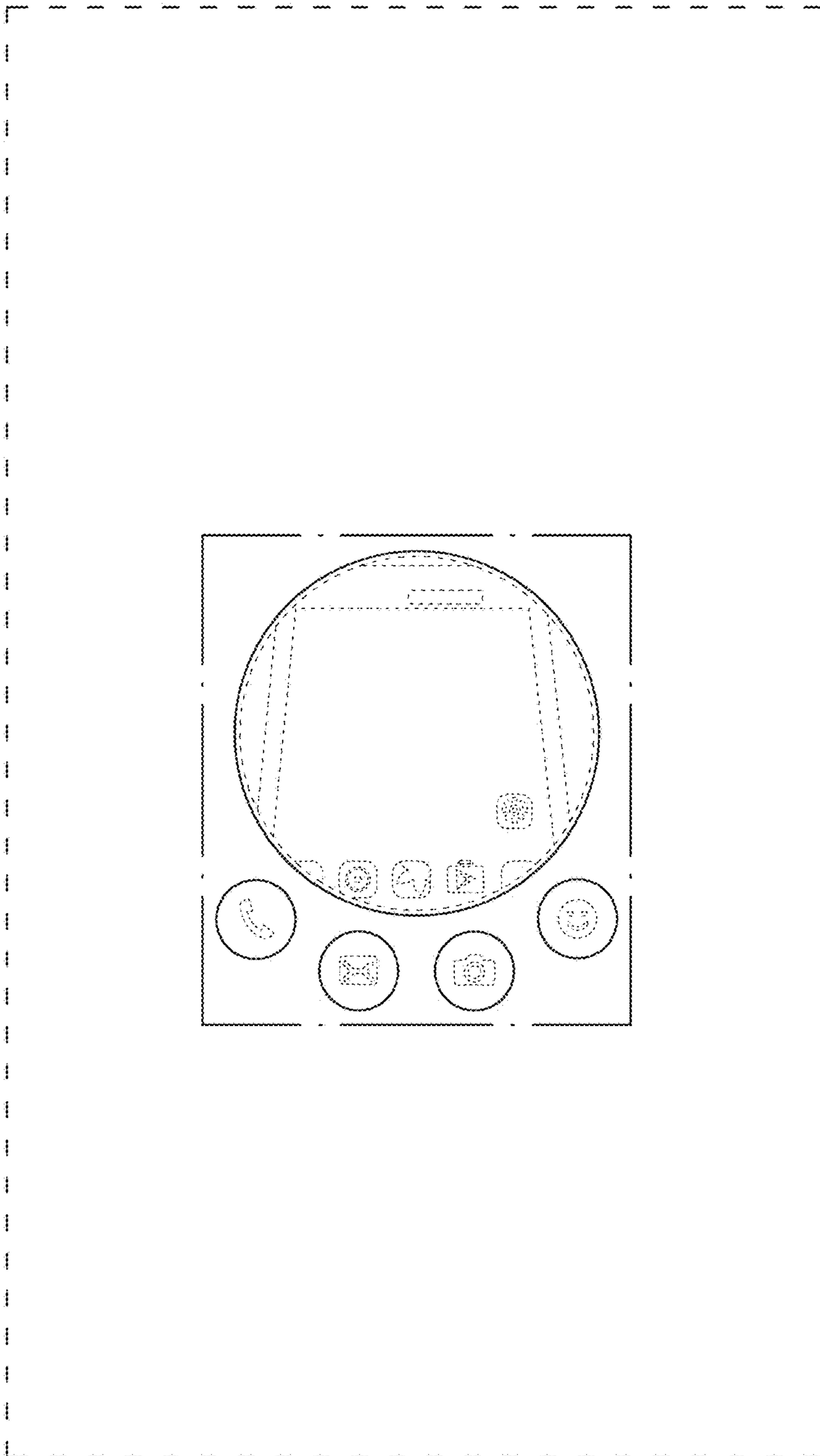




FIG. 17

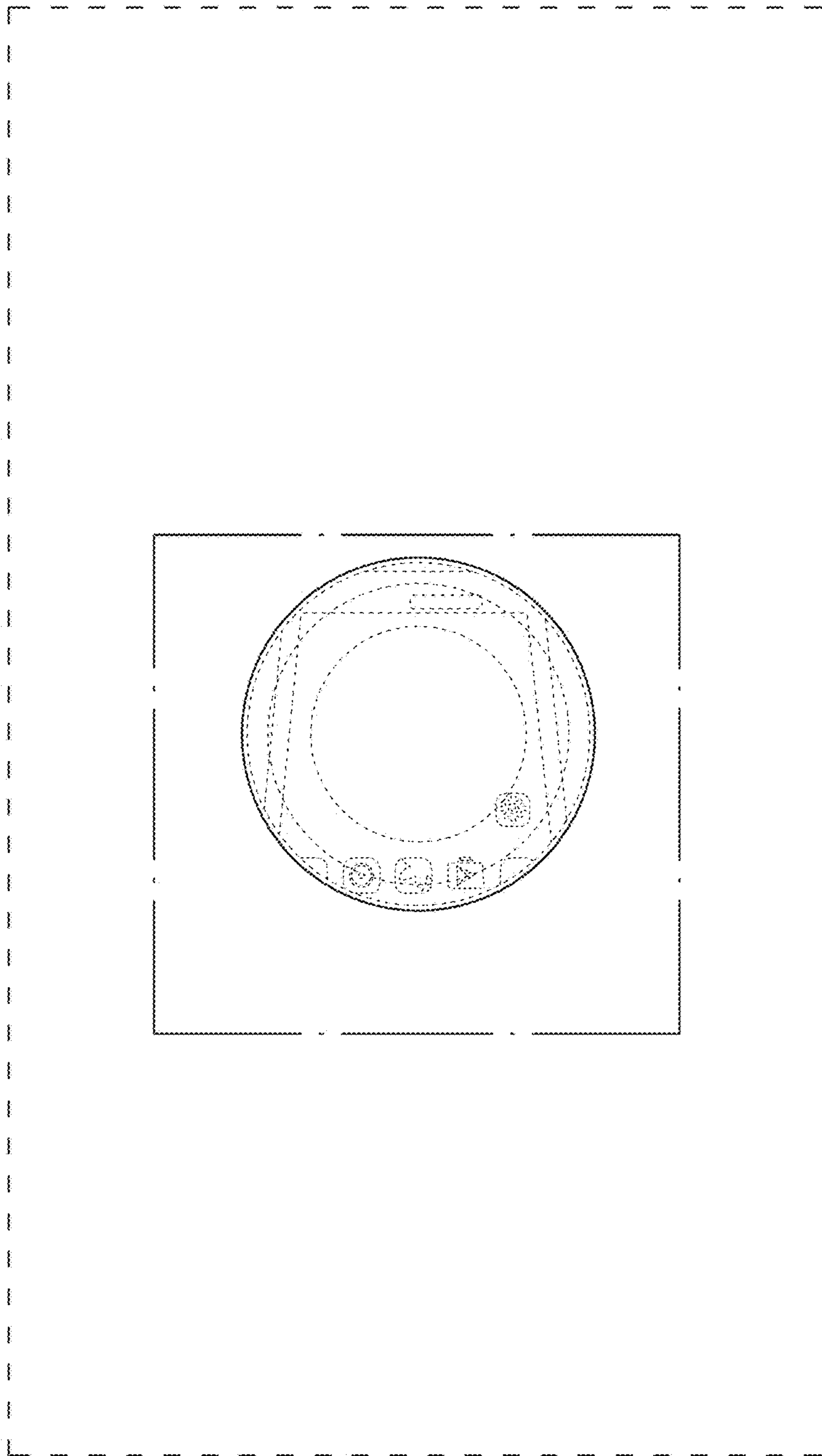


FIG. 18

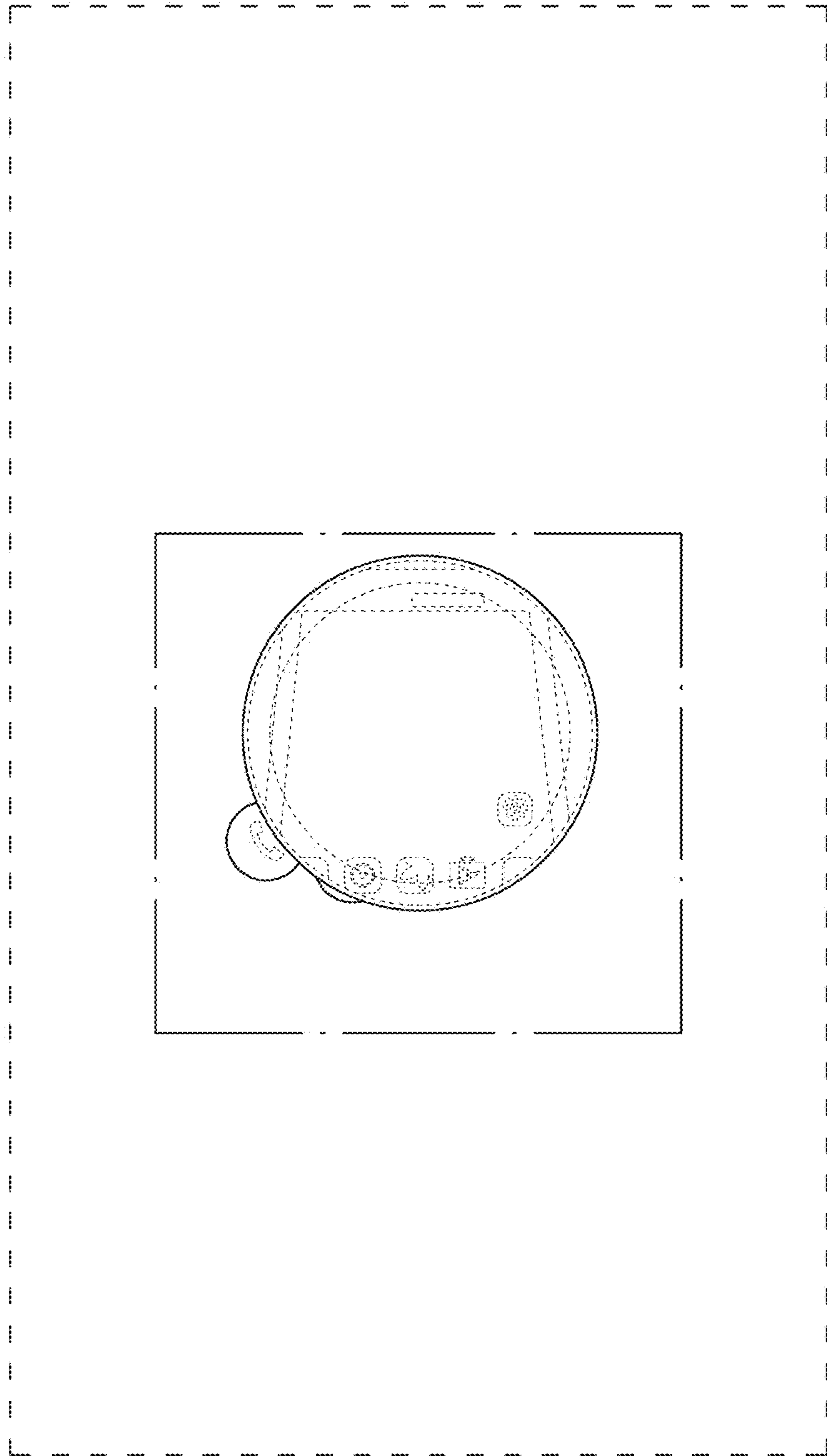


FIG. 19

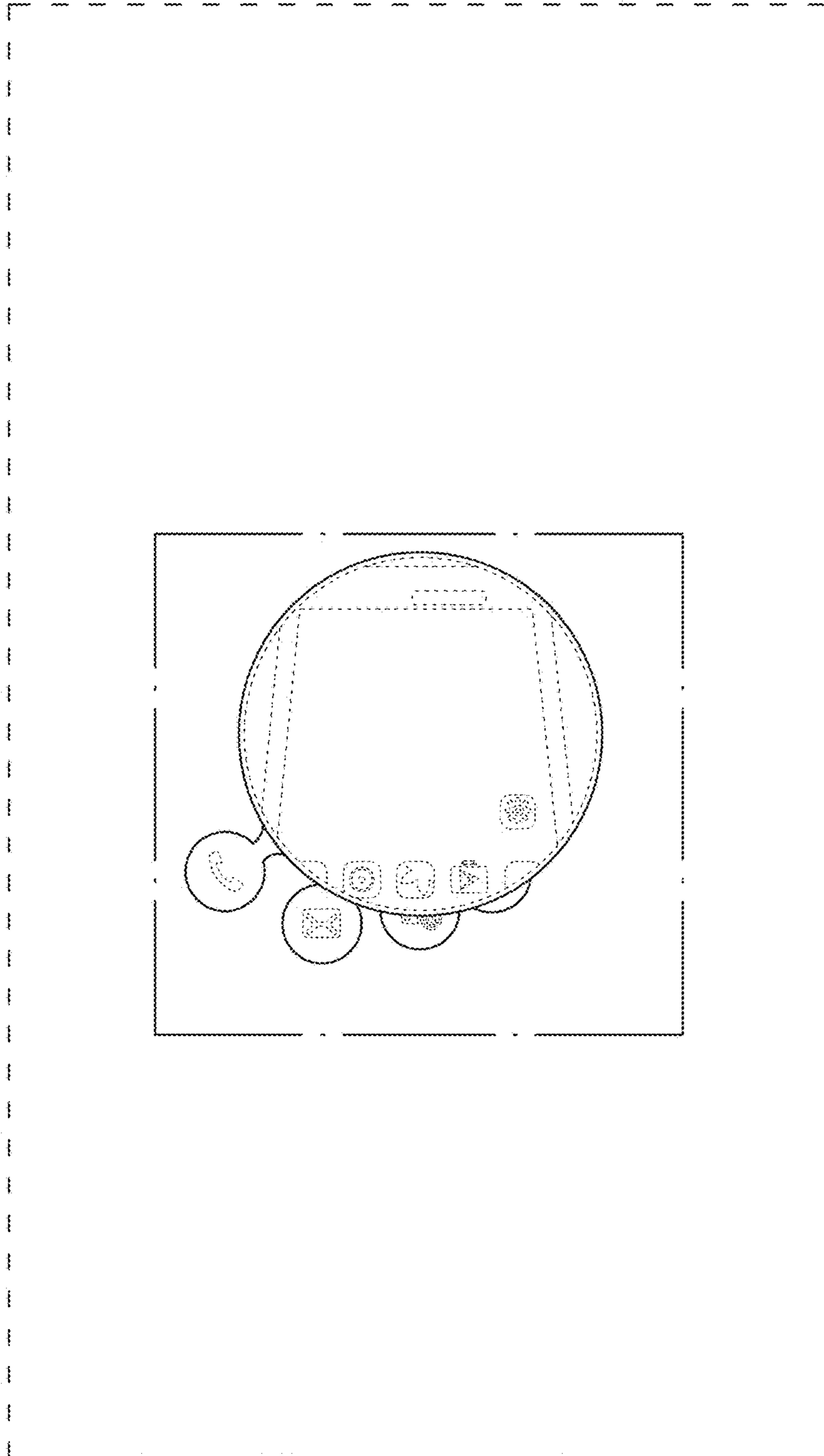


FIG. 20

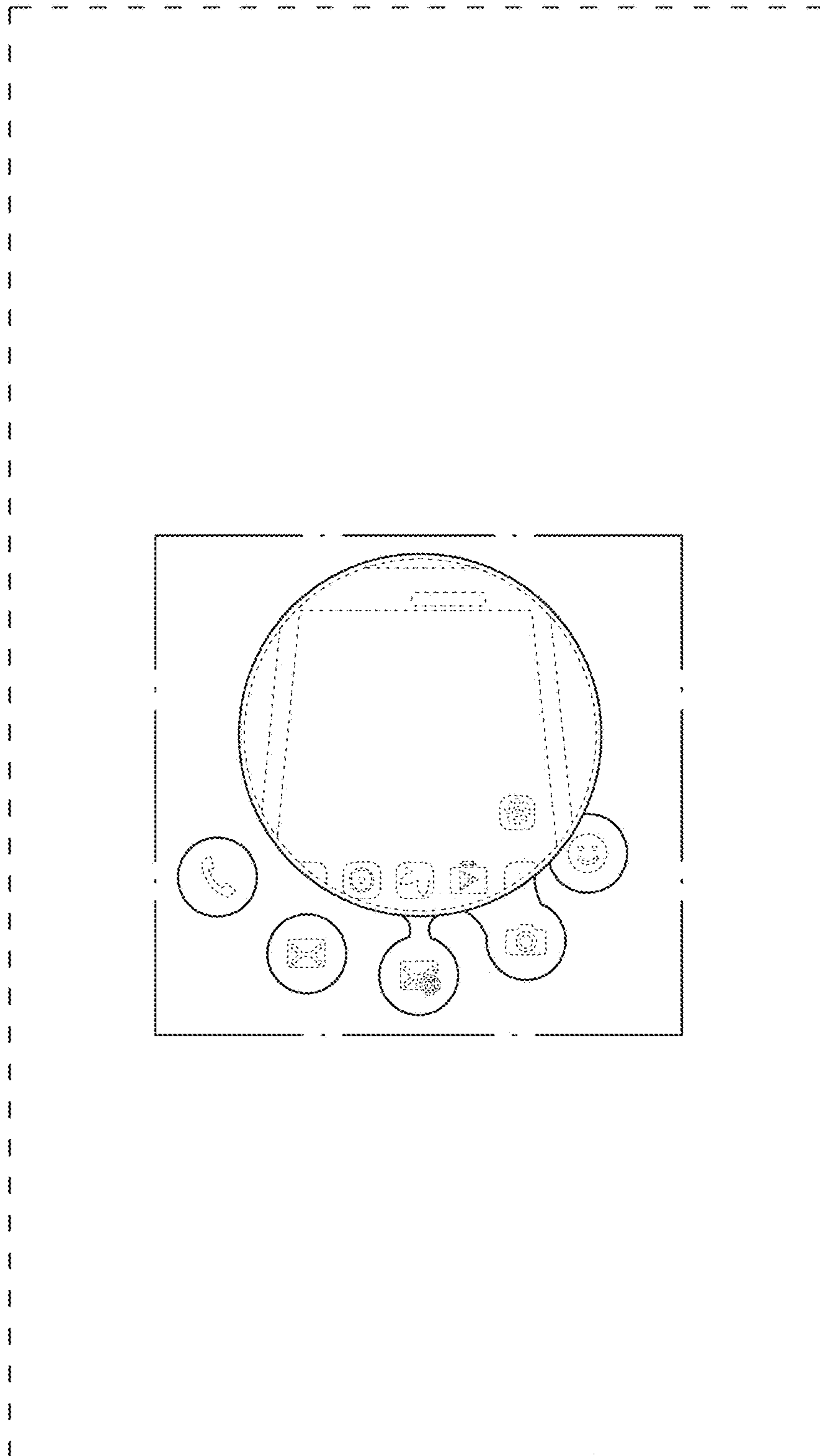


FIG. 21

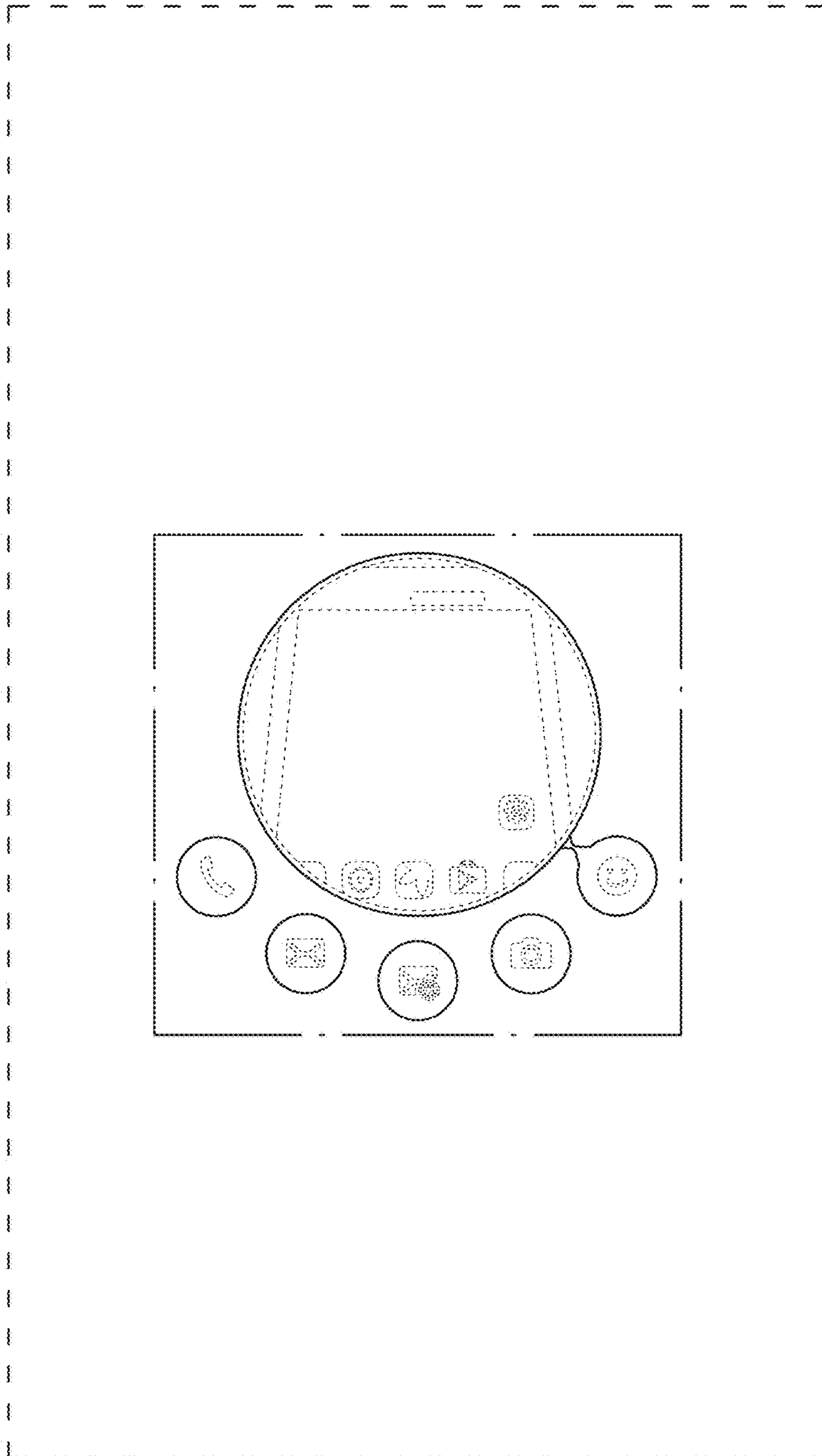




FIG. 22

