



US00D802600S

(12) **United States Design Patent** (10) **Patent No.:** **US D802,600 S**  
**Roberts** (45) **Date of Patent:** **\*\* Nov. 14, 2017**

(54) **USB MEMORY DEVICE**  
(71) Applicant: **James Roberts**, St Martin (JE)  
(72) Inventor: **James Roberts**, St Martin (JE)  
(73) Assignee: **Flushbay Electronics Hong Kong Limited**, Hong Kong (HK)  
(\*\*) Term: **15 Years**  
(21) Appl. No.: **29/594,349**  
(22) Filed: **Feb. 17, 2017**  
(51) **LOC (10) Cl.** ..... **14-03**  
(52) **U.S. Cl.**  
USPC ..... **D14/480.1**  
(58) **Field of Classification Search**  
USPC ..... D14/435.1, 480.1-480.7  
CPC ..... H05K 5/0278; G06K 19/07732  
See application file for complete search history.

D656,143 S \* 3/2012 Schlosstein ..... D14/480.1  
D656,144 S \* 3/2012 Schlosstein ..... D14/480.1  
D658,665 S \* 5/2012 Akana ..... D14/480.1  
D679,717 S \* 4/2013 Benois ..... D14/436  
D687,041 S \* 7/2013 Benois ..... D14/480.5  
D724,599 S \* 3/2015 Lin ..... D14/480.1  
D758,371 S \* 6/2016 Daniel ..... D14/435.1  
D768,140 S \* 10/2016 Daniel ..... D14/480.1  
2015/0017819 A1 \* 1/2015 Bolotin ..... H01R 43/18  
439/31

\* cited by examiner  
*Primary Examiner* — Angela J Lee

(57) **CLAIM**  
The ornamental design for a USB memory device, as shown and described.

**DESCRIPTION**  
FIG. 1 is a top view of the USB memory device.  
FIG. 2 is a right side view of the USB memory device, the left being a mirror image thereof.  
FIG. 3 is a rear view of the USB memory device.  
FIG. 4 is a bottom view of the USB memory device.  
FIG. 5 is a front right perspective of the USB memory device; and,  
FIG. 6 is a rear bottom left perspective of the USB memory device.

(56) **References Cited**  
U.S. PATENT DOCUMENTS  
D647,096 S \* 10/2011 Tung ..... D14/436  
D656,139 S \* 3/2012 Schlosstein ..... D14/480.1  
D656,141 S \* 3/2012 Schlosstein ..... D14/480.1

**1 Claim, 1 Drawing Sheet**

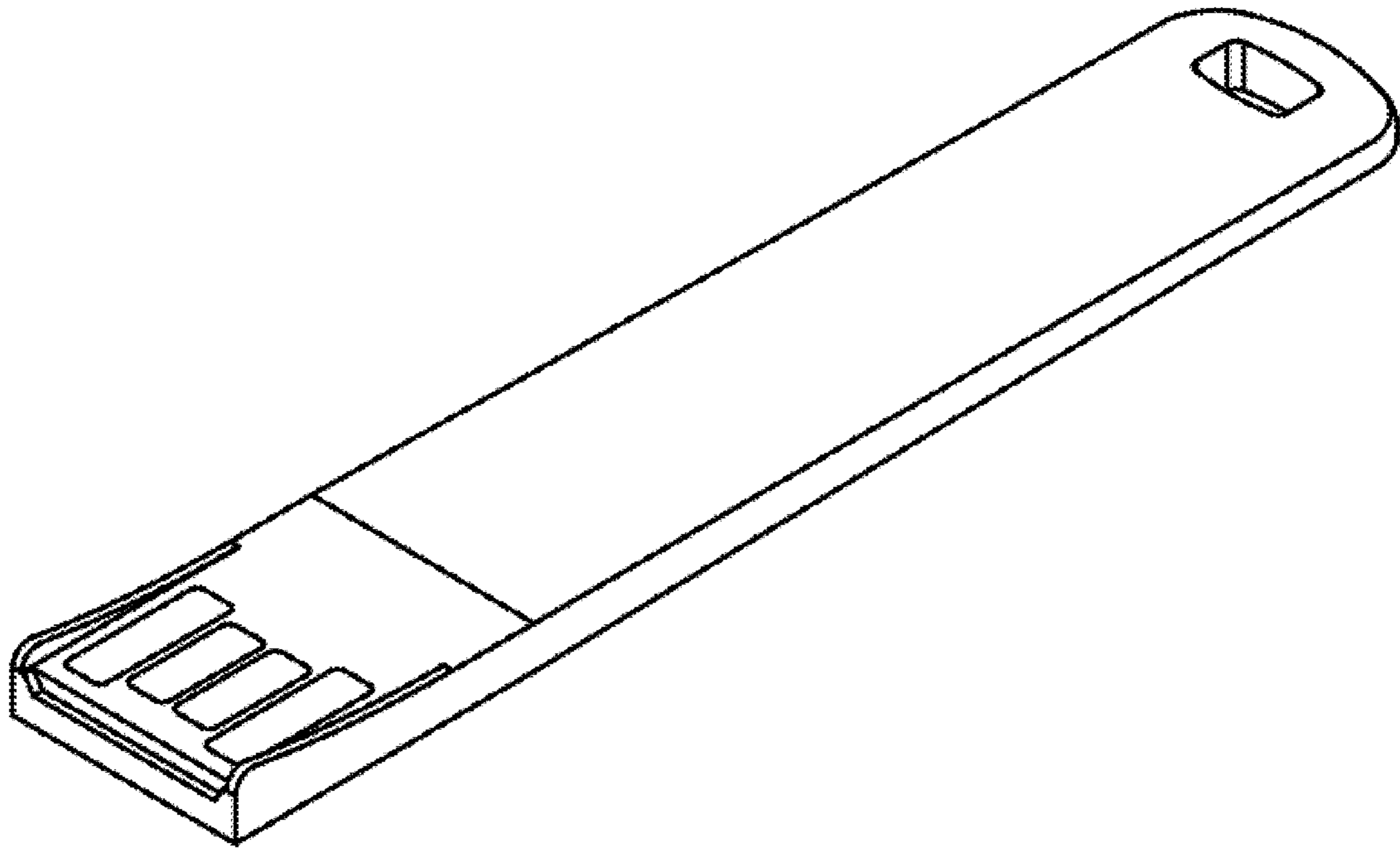


FIG.1



FIG.2

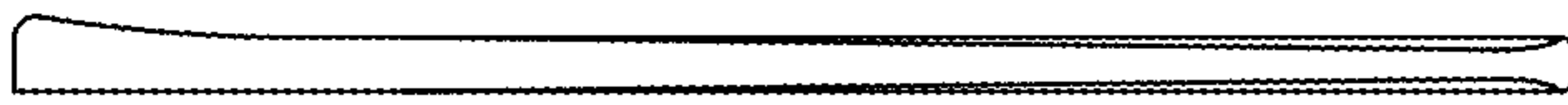


FIG.3



FIG.4



FIG.5

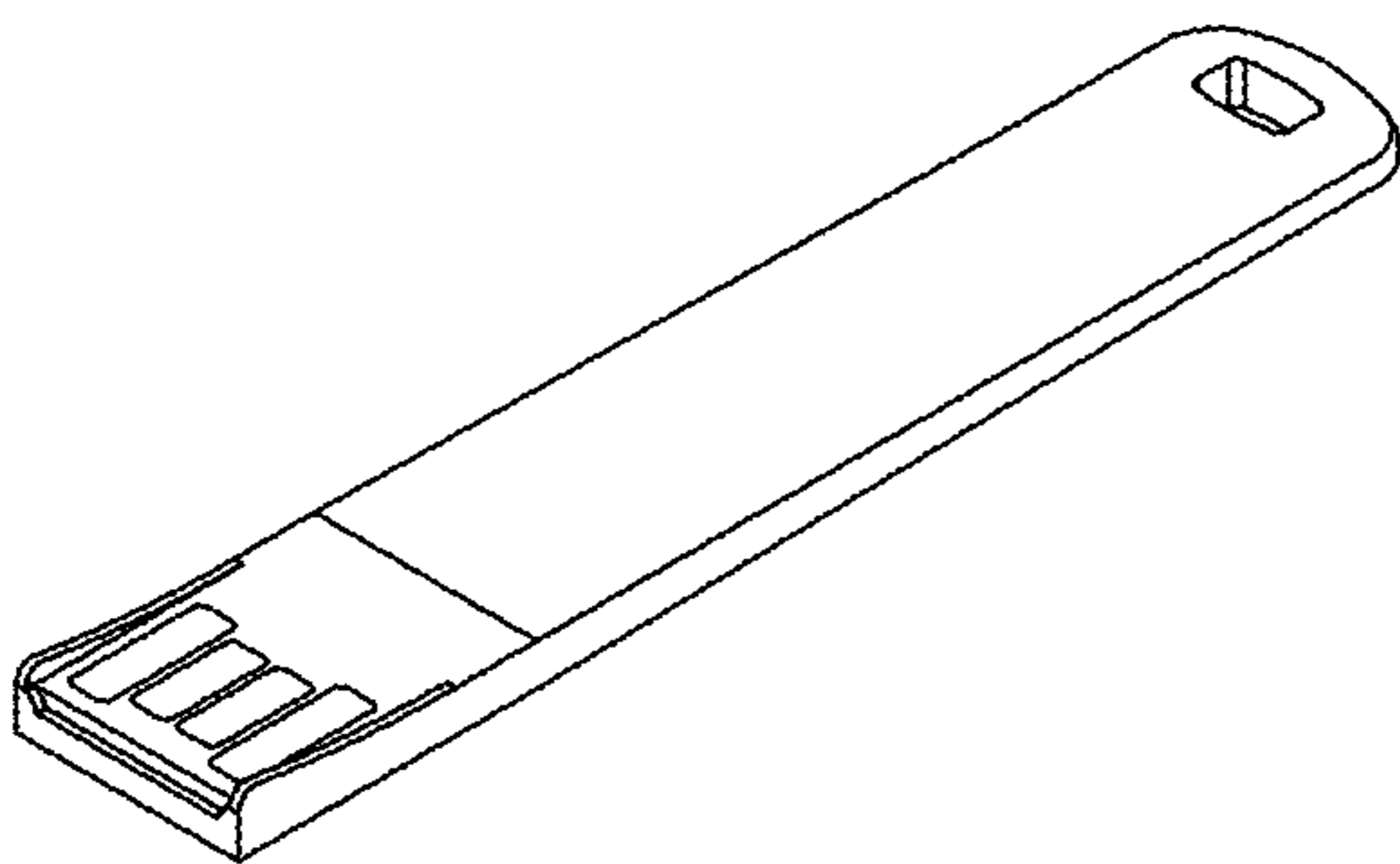


FIG.6

