



US00D802597S

(12) **United States Design Patent**  
**Park et al.**

(10) **Patent No.:** **US D802,597 S**

(45) **Date of Patent:** **\*\* Nov. 14, 2017**

(54) **PORTABLE BLUETOOTH KEYBOARD**

(71) Applicant: **LG ELECTRONICS INC.**, Seoul (KR)

(72) Inventors: **Seala Park**, Seoul (KR); **Hyunwoo Yoo**, Seoul (KR)

(73) Assignee: **LG ELECTRONICS INC.**, Seoul (KR)

(\*\*) Term: **15 Years**

(21) Appl. No.: **29/572,203**

(22) Filed: **Jul. 26, 2016**

(30) **Foreign Application Priority Data**

Jan. 27, 2016 (KR) ..... 30-2016-0004164

(51) **LOC (10) Cl.** ..... **14-02**

(52) **U.S. Cl.**  
USPC ..... **D14/455**

(58) **Field of Classification Search**  
USPC ..... D14/315-327, 391-399, 455, 456;  
D18/1, 2, 7, 11; 235/145 A, 145 R;  
341/22, 23; 345/104, 156, 168, 169, 173;  
361/679.08, 679.09, 679.11, 679.26,  
361/679.27  
CPC ..... G06F 1/16; G06F 1/1616; G06F 1/1626;  
G06F 1/1632; G06F 1/1613; G06F  
1/1601; G06F 1/1618; G06F 1/162; G06F  
3/0221; G06F 3/0216; H01R 35/02;  
H03M 11/00; G09B 13/04; H03K 17/94;  
G09G 5/00; F16M 11/10; H05K 5/00;  
H04M 1/0237; H01H 13/14; H01H 13/84;  
B41J 5/00; B41J 5/12; B41J 5/10

See application file for complete search history.

(56) **References Cited**

U.S. PATENT DOCUMENTS

6,174,097	B1 *	1/2001	Daniel	.....	G06F 3/0221 400/472
6,924,788	B2 *	8/2005	Hsu	.....	G06F 3/0221 345/168
D712,952	S *	9/2014	Sumii	.....	D14/496
D740,821	S *	10/2015	Kim	.....	D14/391
D750,080	S *	2/2016	Lee	.....	D14/392

\* cited by examiner

*Primary Examiner* — Freda S Nunn

(74) *Attorney, Agent, or Firm* — Birch, Stewart, Kolasch & Birch, LLP

(57) **CLAIM**

The ornamental design for a portable bluetooth keyboard, as shown and described.

**DESCRIPTION**

FIG. 1 is a perspective view of a portable bluetooth keyboard showing our new design;  
FIG. 2 is a front view thereof;  
FIG. 3 is a rear view thereof;  
FIG. 4 is a left side view thereof where the right side view is a mirror image;  
FIG. 5 is a top plan view thereof;  
FIG. 6 is a bottom plan view thereof;  
FIG. 7 is a perspective view thereof showing the state that the subject design is folded in the form of stick for easy portability; and  
FIG. 8 is a right side view thereof;  
FIG. 9 is another right side view thereof;  
FIG. 10 is a right side view thereof in a partially folded position;  
FIG. 11 is a right side view thereof in semi-folded position; and,  
FIG. 12 is a right side view thereof in a completely folded position.

**1 Claim, 8 Drawing Sheets**

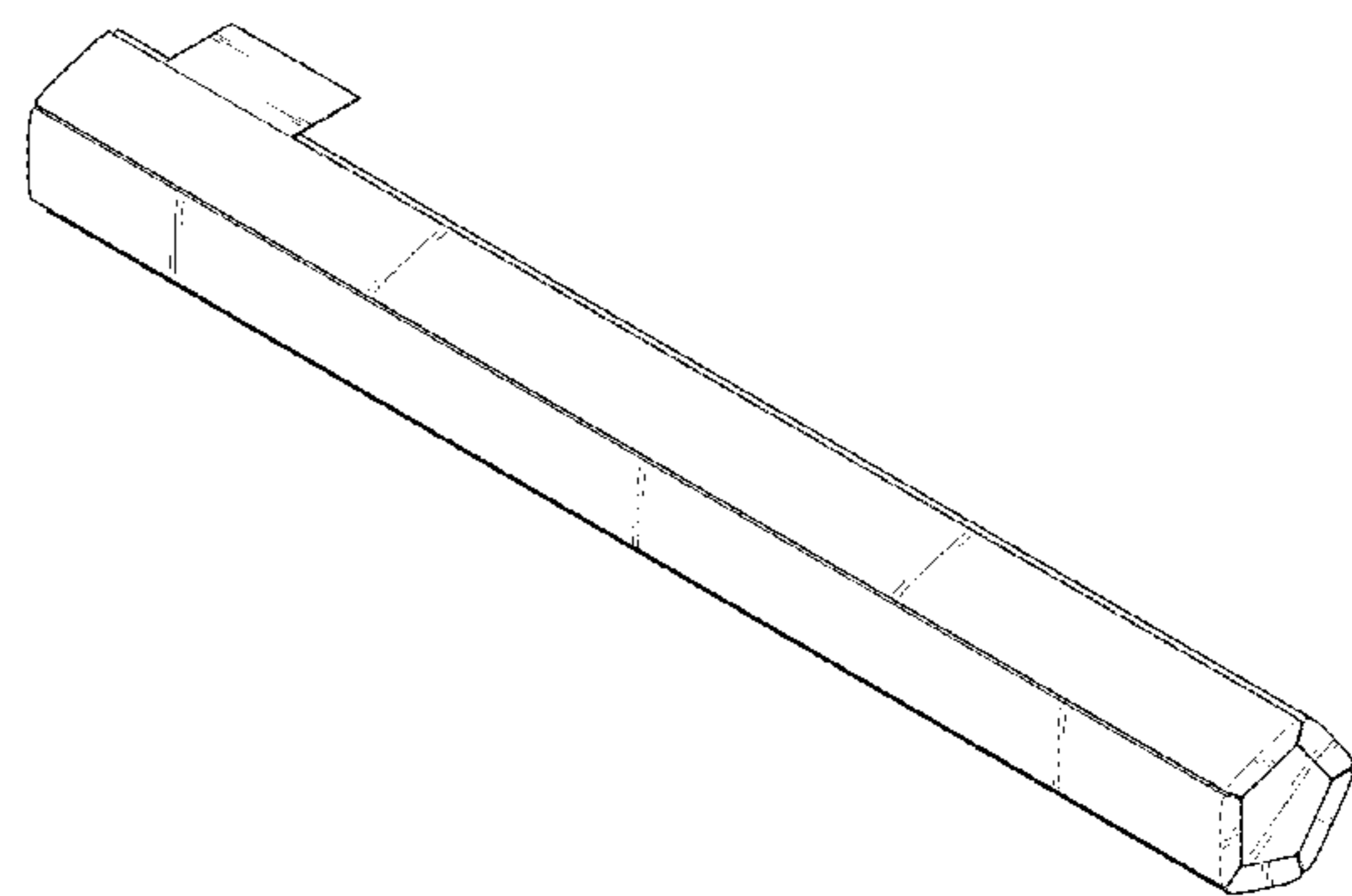
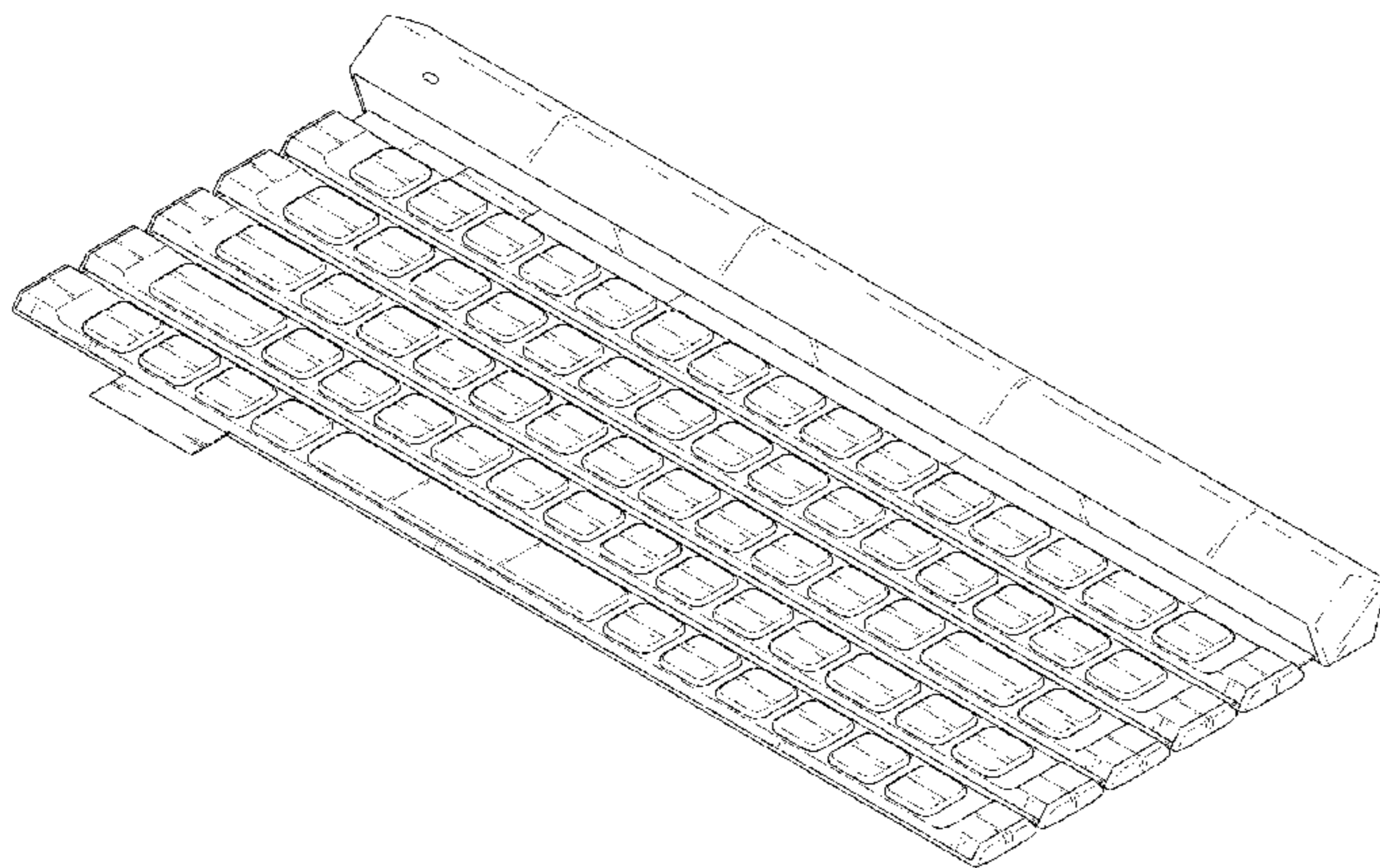


FIG. 1

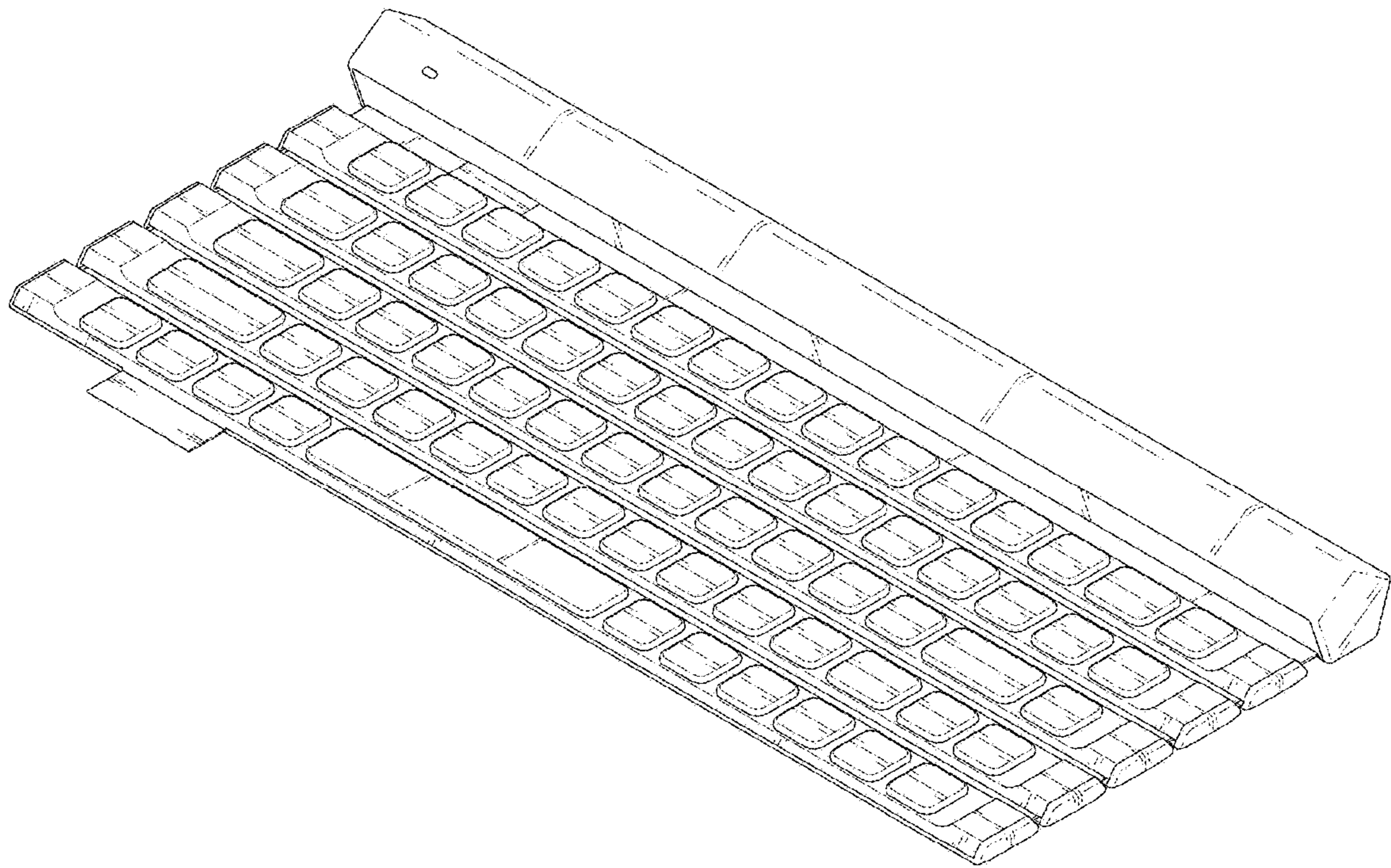


FIG. 2

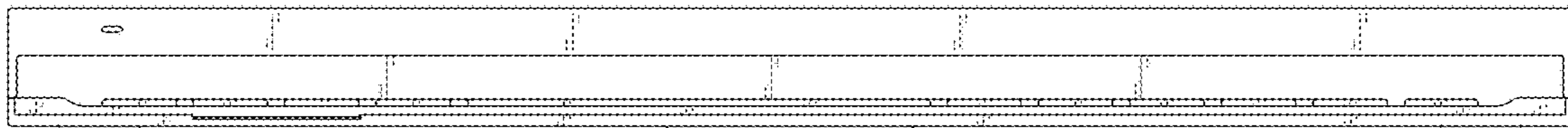


FIG. 3

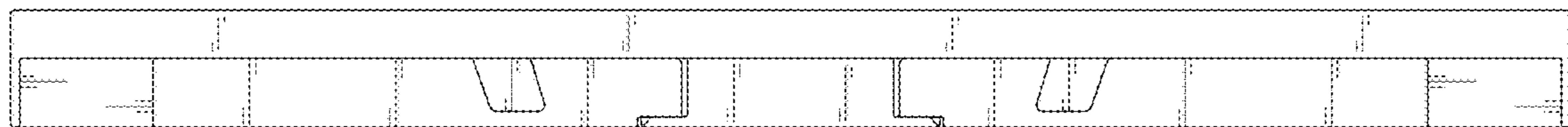


FIG. 4

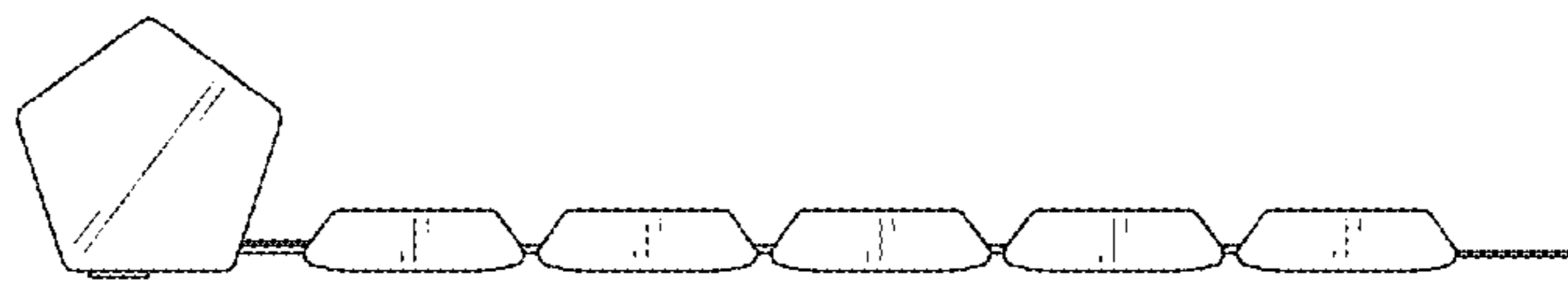




FIG. 5

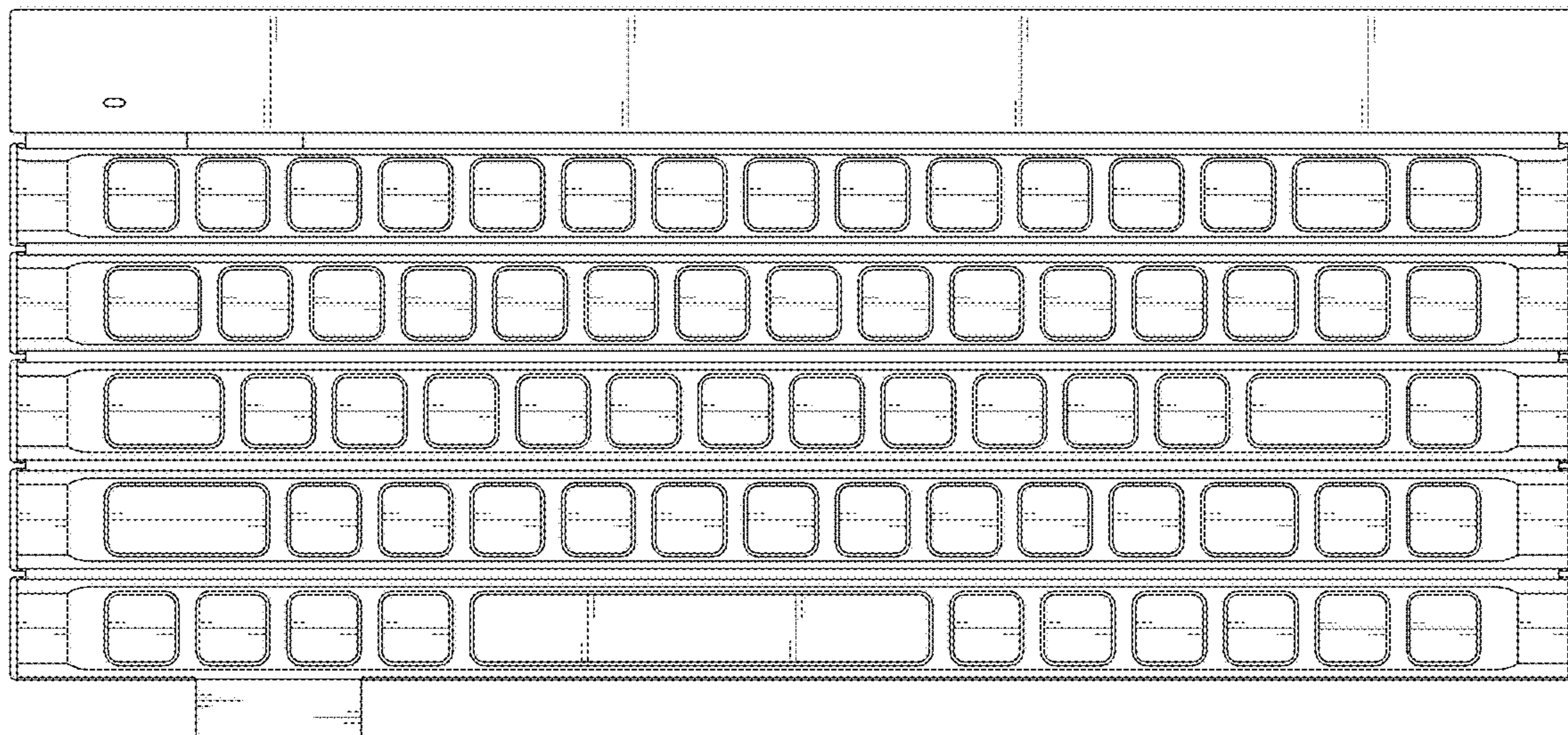


FIG. 6

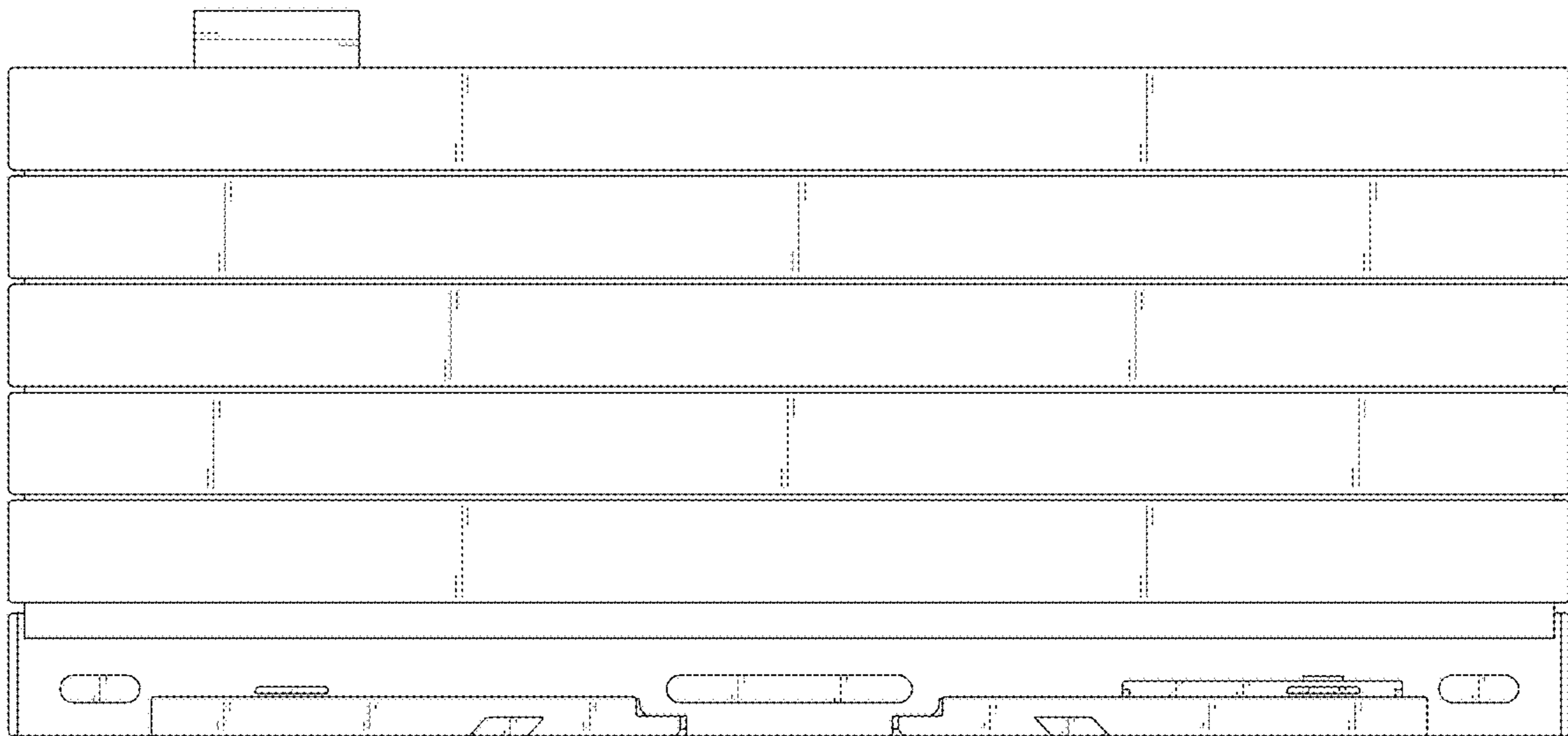


FIG. 7

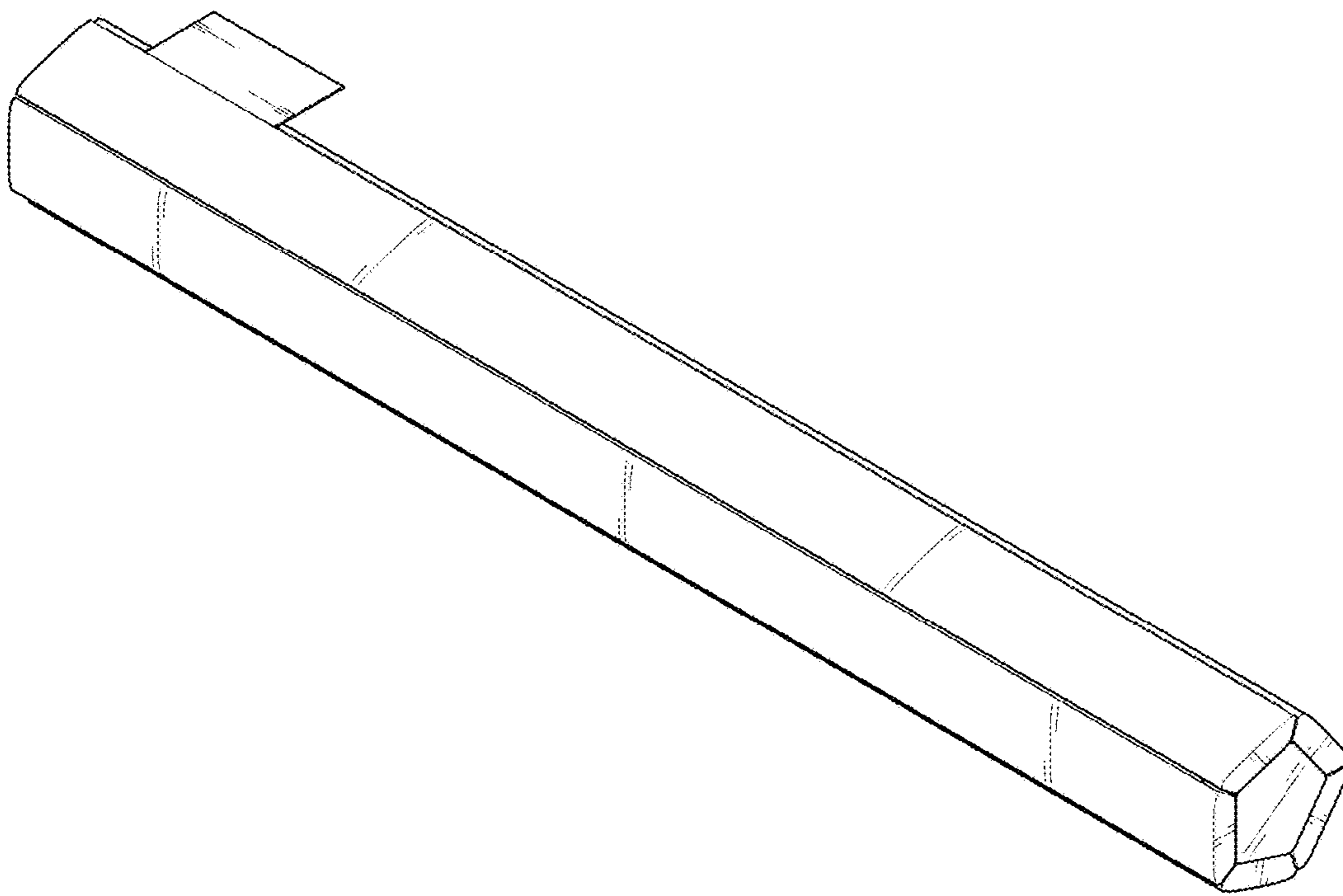




FIG. 8

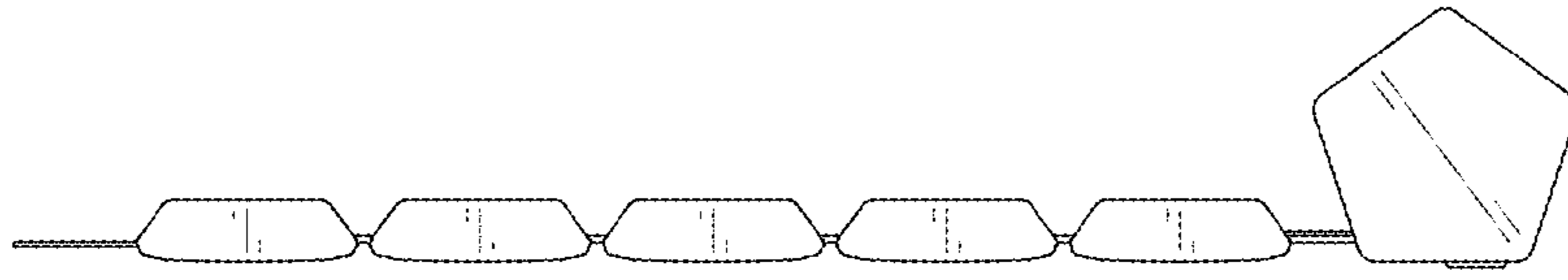


FIG. 9

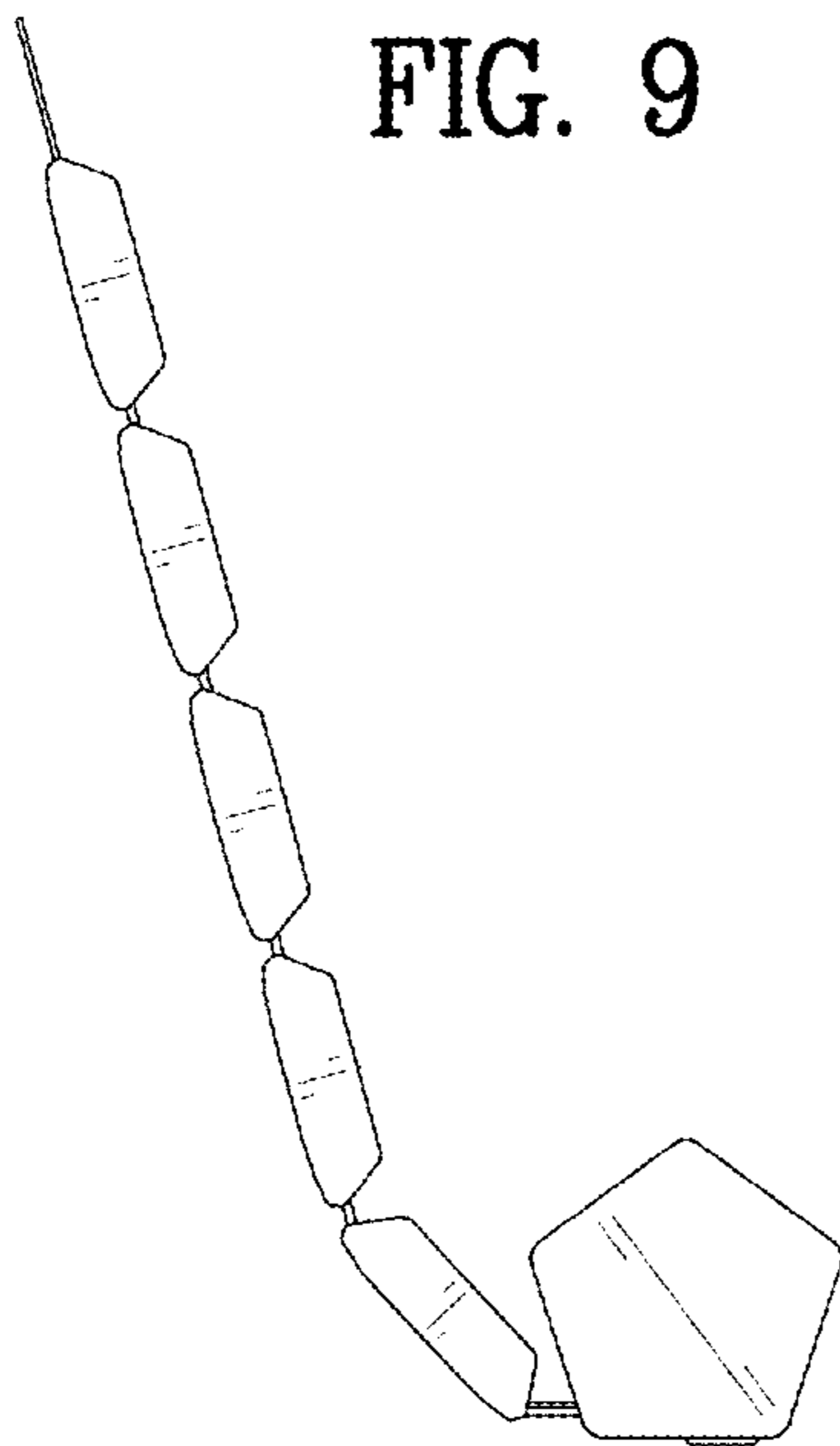


FIG. 10

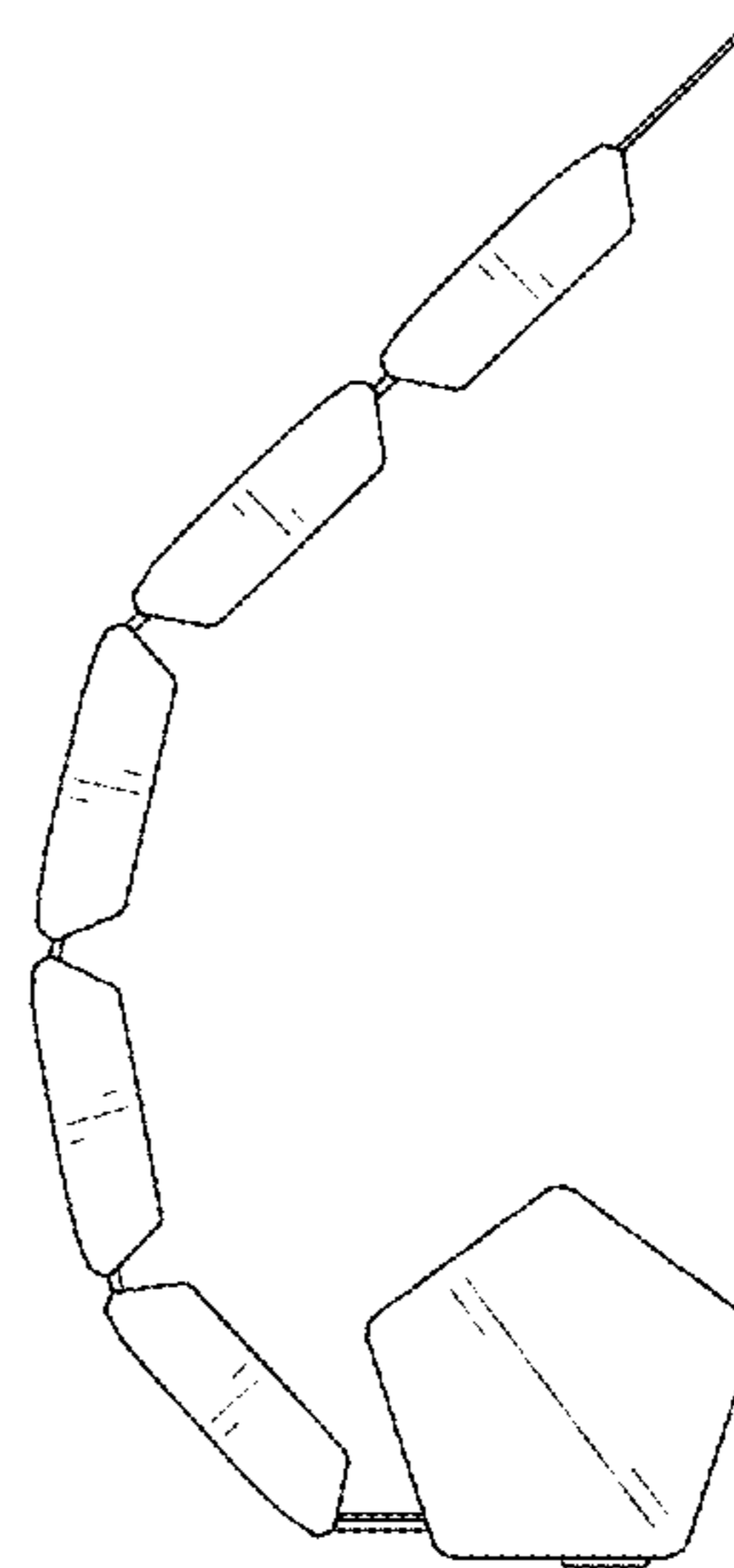


FIG. 11

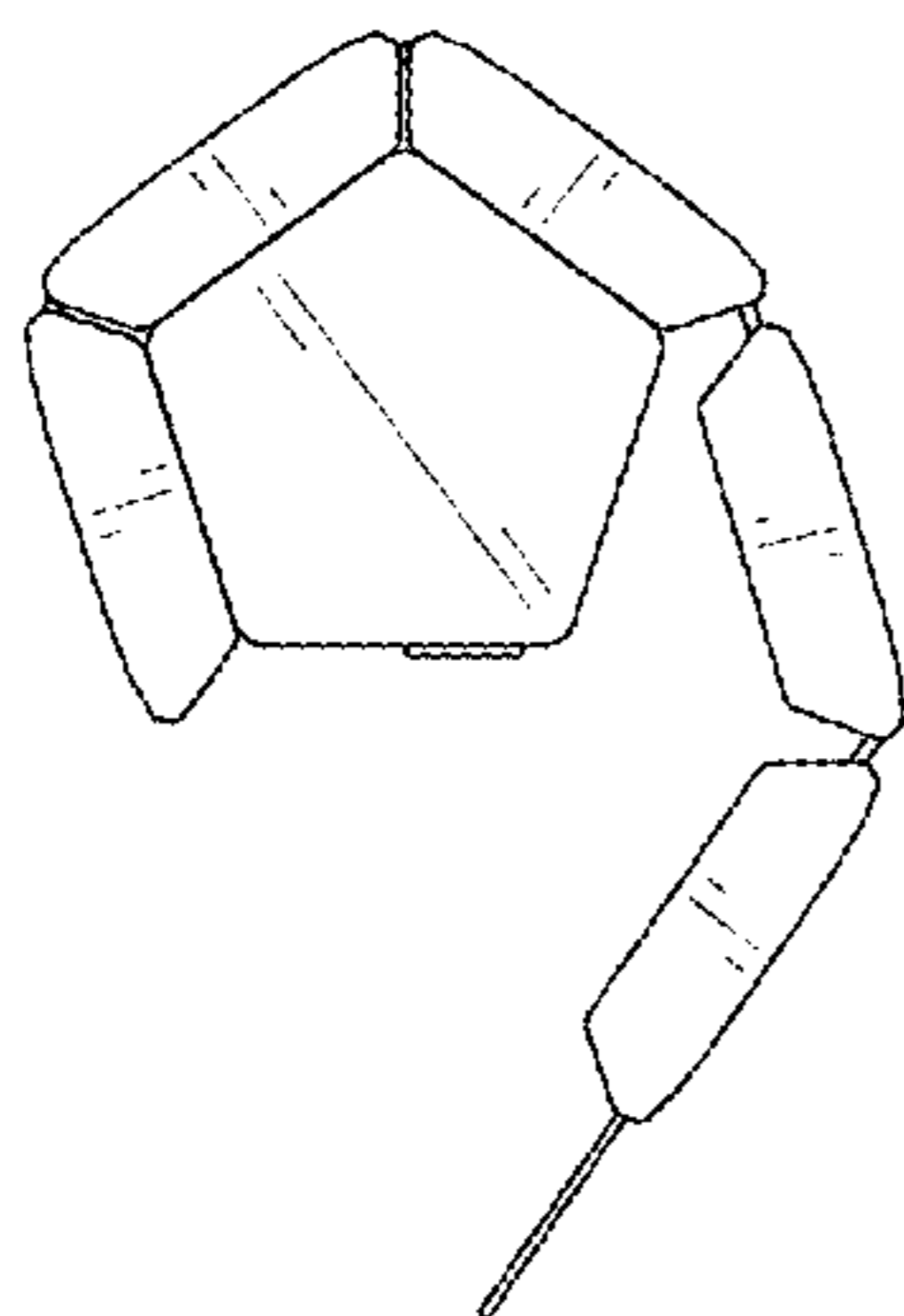


FIG. 12

