

US00D802596S

(12) **United States Design Patent**
Hannon et al.

(10) **Patent No.:** **US D802,596 S**

(45) **Date of Patent:** **** Nov. 14, 2017**

(54) **CASE**

D766,907 S * 9/2016 Veltz D14/440
D789,937 S * 6/2017 Zhang D14/440
D792,886 S * 7/2017 Schwibner D14/440

(71) Applicant: **Thule, Inc.**, Seymour, CT (US)

(72) Inventors: **John Hannon**, Gurnee, IL (US); **Daniel Schaumann**, Chicago, IL (US); **John Morici**, Wauconda, IL (US)

(73) Assignee: **Thule, Inc.**, Seymour, CT (US)

(**) Term: **15 Years**

(21) Appl. No.: **29/562,935**

(22) Filed: **Apr. 29, 2016**

(51) **LOC (10) Cl.** **14-02**

(52) **U.S. Cl.**
USPC **D14/440**

(58) **Field of Classification Search**
USPC D14/440, 250, 447; 206/45.23, 320,
206/45.2; 361/679.55; 294/25; 224/218
CPC ... G06F 1/1628; G06F 1/1626; A47B 23/044;
H04B 1/3888

See application file for complete search history.

(56) **References Cited**

U.S. PATENT DOCUMENTS

D694,759 S * 12/2013 Chang D14/440
D715,052 S * 10/2014 Fair D3/301
D716,049 S * 10/2014 Fair D3/303
D724,093 S * 3/2015 Dong D14/440
D725,116 S * 3/2015 Li D14/440
D742,385 S 11/2015 Chaney
D762,198 S 7/2016 Burgess et al.

OTHER PUBLICATIONS

Thule.com, "Thule Atmos X3 for iPad® mini" <https://www.thule.com/en-us/us/computer-phone-cases/ipad-cases/thule-atmos-x3-for-ipad-mini-_tl_taie-3138-black> Retrieved Aug. 23, 2016.

* cited by examiner

Primary Examiner — Cynthia Underwood

(74) *Attorney, Agent, or Firm* — Sterne, Kessler, Goldstein & Fox P.L.L.C.

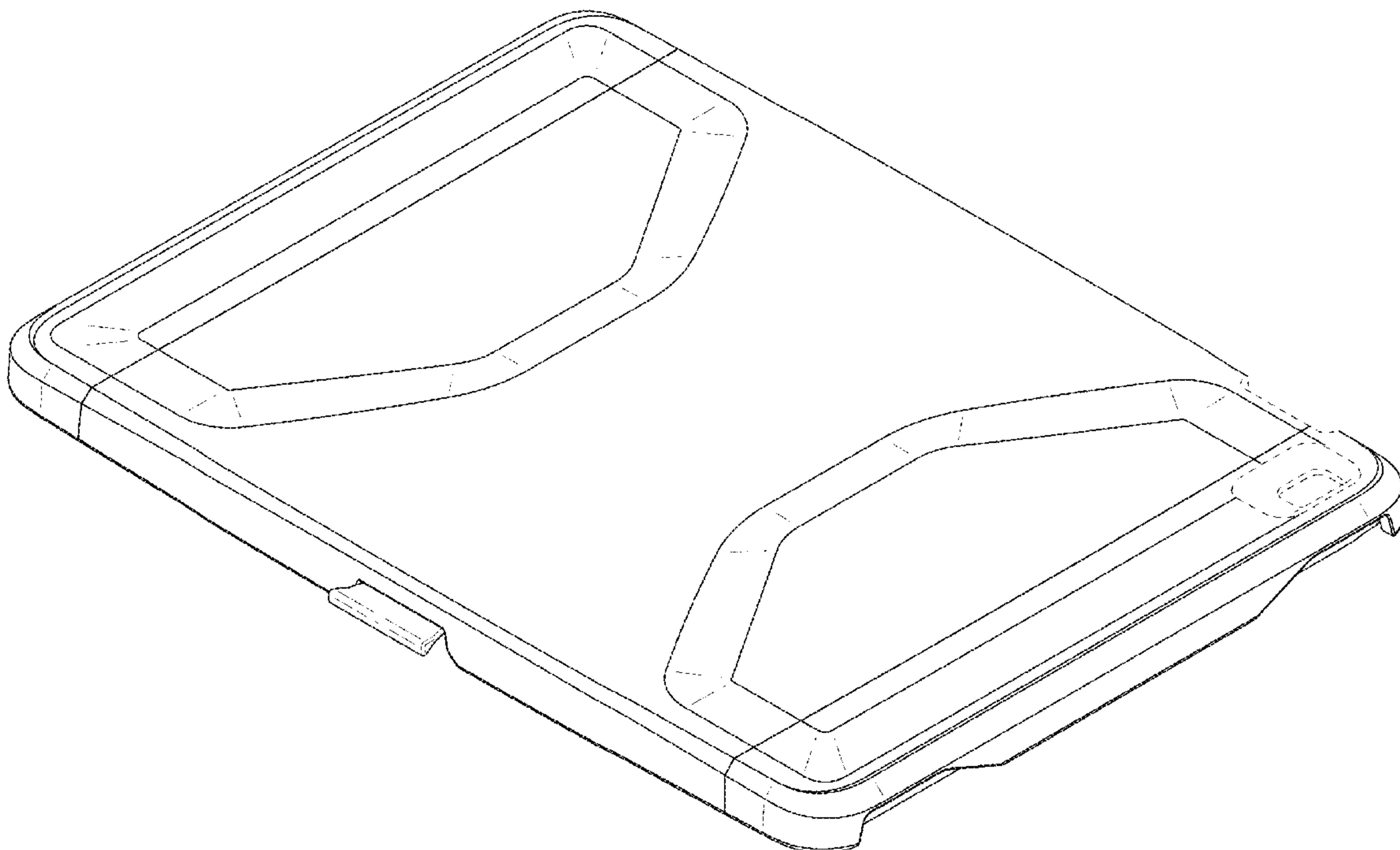
(57) **CLAIM**

The ornamental design for a case, as shown and described.

DESCRIPTION

FIG. 1 is a top front perspective view of a case showing the claimed design;
FIG. 2 is a bottom rear perspective view thereof;
FIG. 3 is a bottom view thereof;
FIG. 4 is a top view thereof;
FIG. 5 is a left side view thereof;
FIG. 6 is a right side view thereof;
FIG. 7 is a front view thereof; and,
FIG. 8 is a rear view thereof.
The broken lines in the figures show portions of the case that form no part of the claimed design.

1 Claim, 6 Drawing Sheets



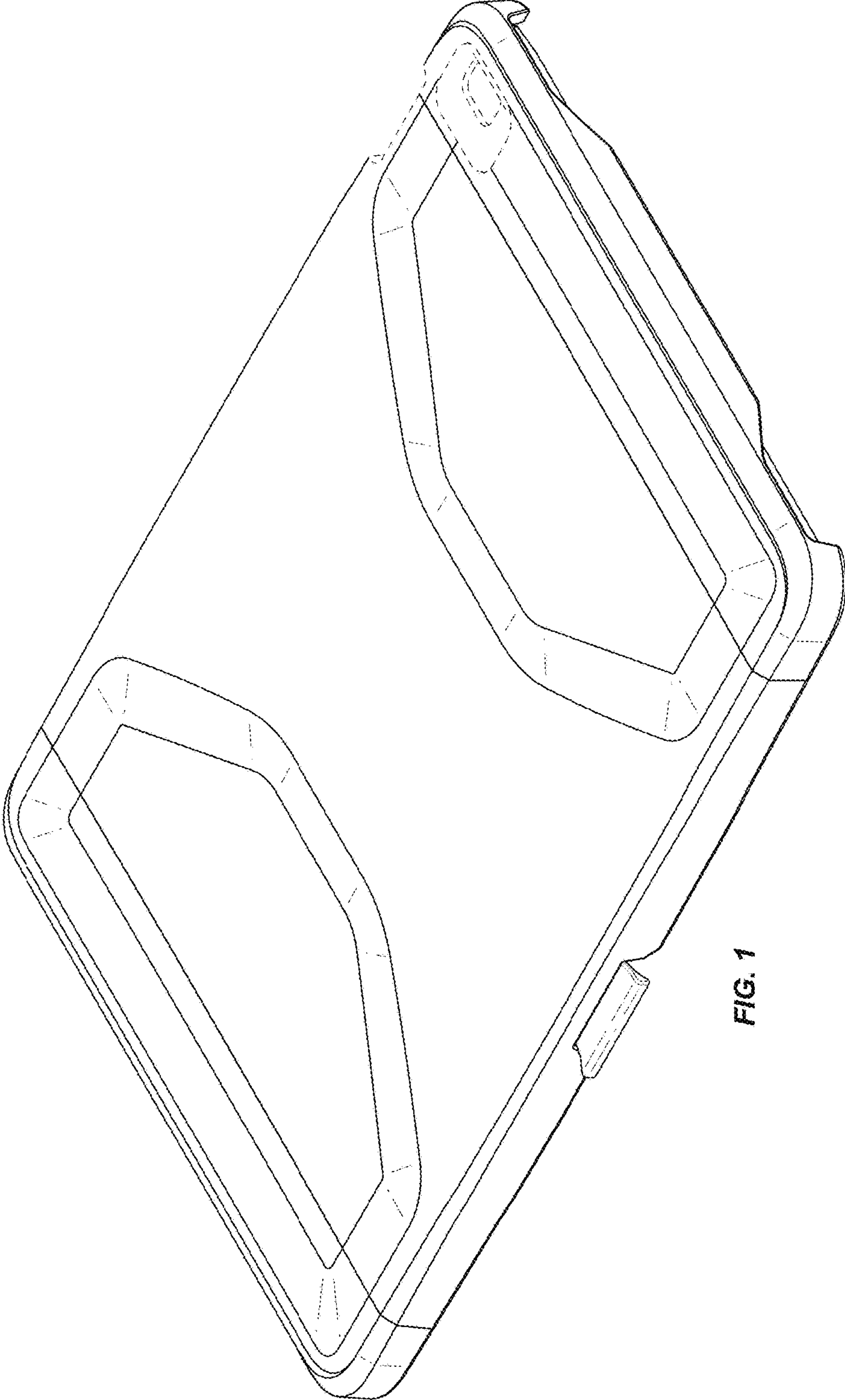


FIG. 1

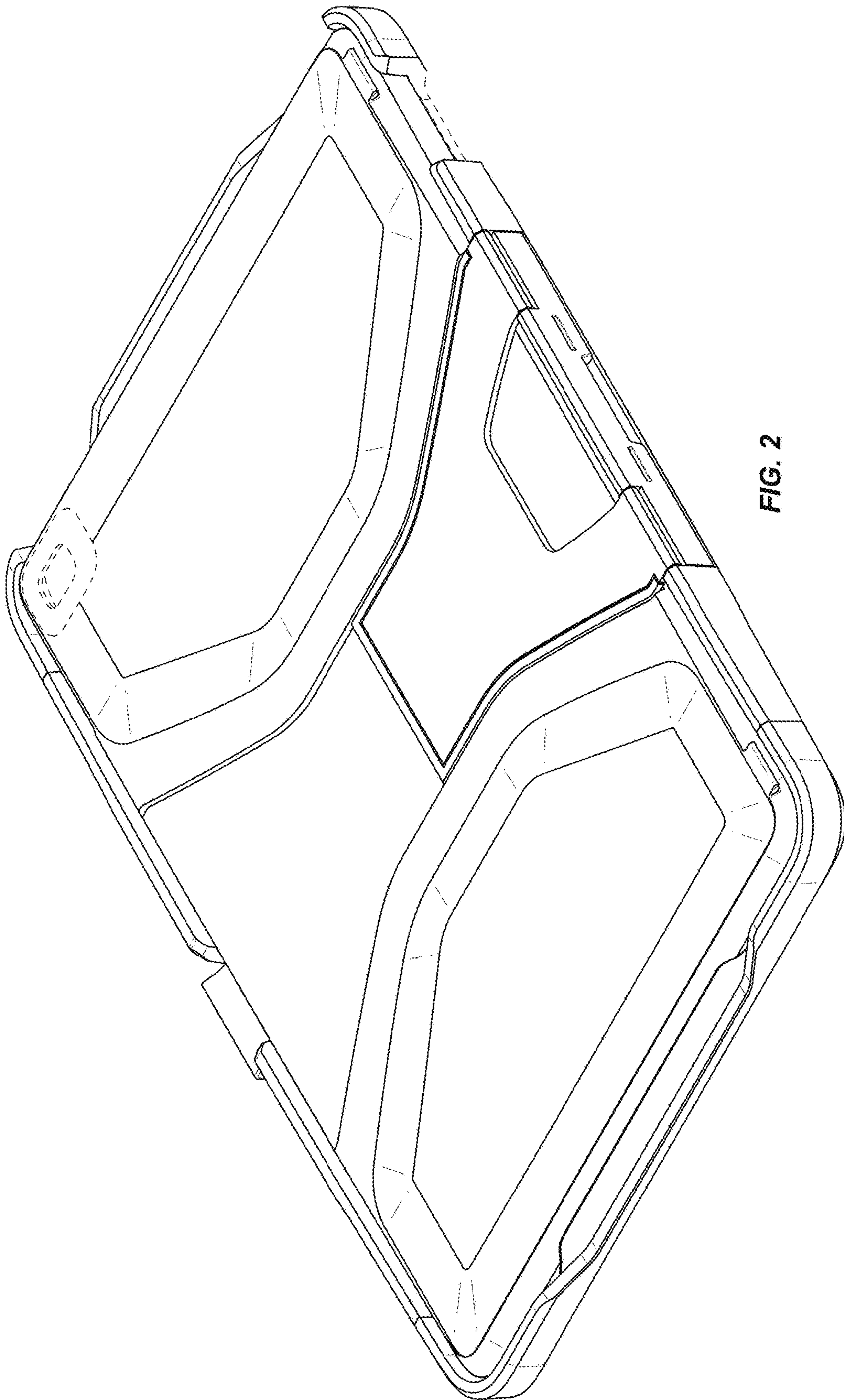


FIG. 2

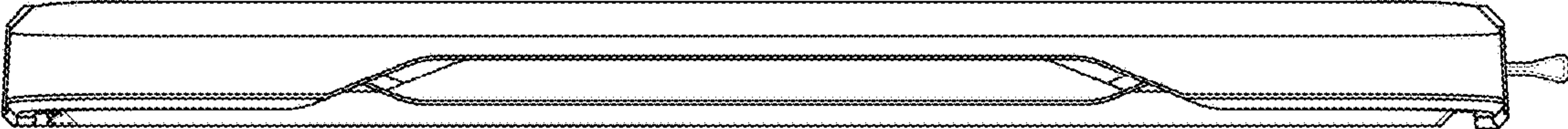


FIG. 3



FIG. 4

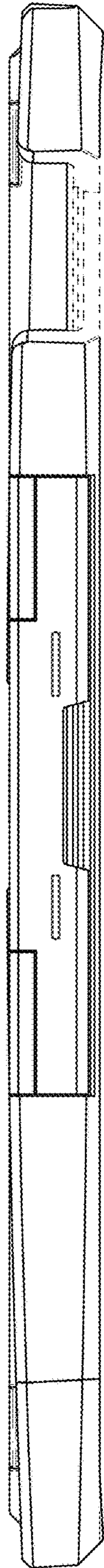


FIG. 5

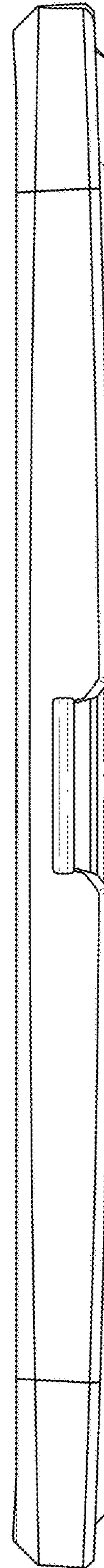


FIG. 6

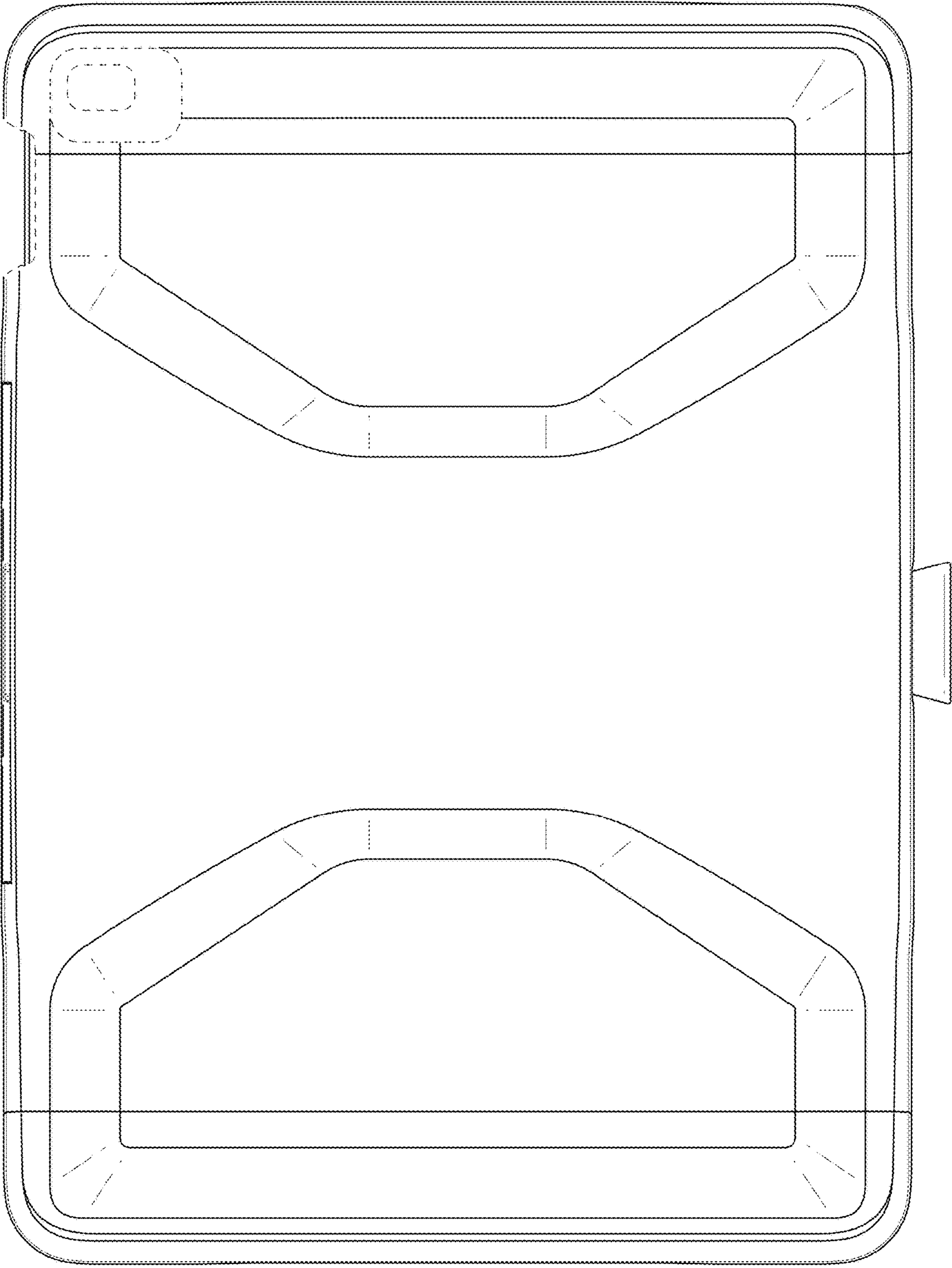


FIG. 7

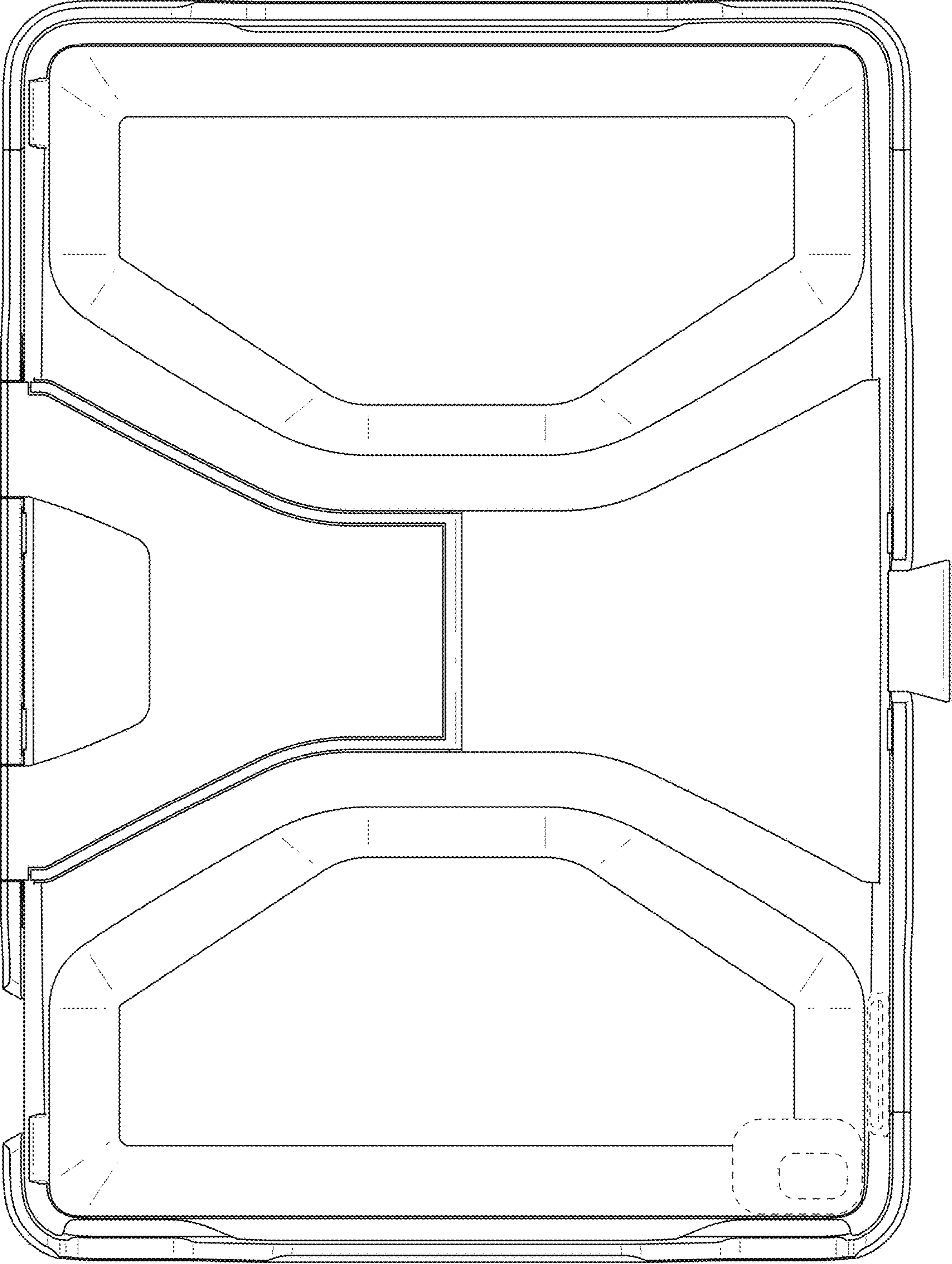


FIG. 8