

US00D802595S

(12) **United States Design Patent** (10) **Patent No.:** **US D802,595 S**
Bo (45) **Date of Patent:** **** Nov. 14, 2017**

(54) **2 IN 1 USB CABLE**
(71) Applicant: **Anhui Inno-Sign International Co., Ltd.**, Hefei (CN)
(72) Inventor: **Jin Bo**, Hefei (CN)
(73) Assignee: **Anhui-Inno-Sign International Co., LTD**, Hefei (CN)
(**) Term: **15 Years**
(21) Appl. No.: **29/566,886**
(22) Filed: **Jun. 3, 2016**
(51) **LOC (10) Cl.** **14-03**
(52) **U.S. Cl.**
USPC **D14/435.1**
(58) **Field of Classification Search**
USPC D14/435.1, 480.1-480.7
CPC H05K 5/0278; G06K 19/07732
See application file for complete search history.

(56) **References Cited**
U.S. PATENT DOCUMENTS
D444,788 S * 7/2001 Do H05K 5/0278
D14/480.6
D534,167 S * 12/2006 Harkabi D14/480.5
D653,670 S * 2/2012 Lee D14/480.6
D668,664 S * 10/2012 Zhou D14/480.6
D686,632 S * 7/2013 Iversen D14/480.6
D720,761 S * 1/2015 Winzenried D14/480.5

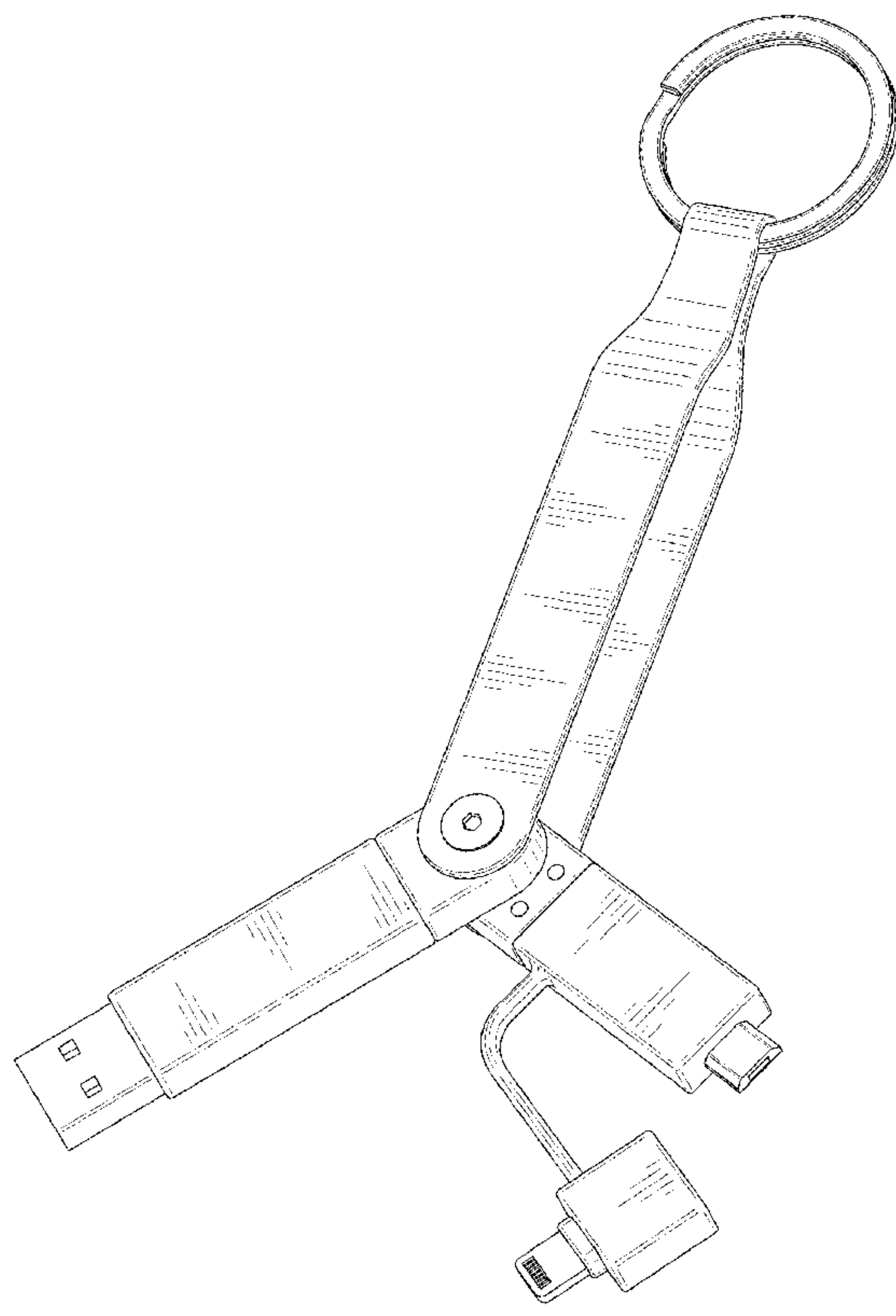
D770,974 S * 11/2016 Dentzel D13/108
D781,868 S * 3/2017 Liao D14/480.5
D783,025 S * 4/2017 Nielson D14/480.3
D783,620 S * 4/2017 Uggla D14/435.1
D786,876 S * 5/2017 Huang D14/433
D788,108 S * 5/2017 Cai D14/411
2007/0111583 A1 * 5/2007 Cuellar H01R 13/447
439/353

* cited by examiner
Primary Examiner — Angela J Lee
(74) *Attorney, Agent, or Firm* — Richards Patent Law P.C.

(57) **CLAIM**
The ornamental design for a **2 IN 1 USB cable**, as shown and described.

DESCRIPTION
FIG. 1 is a perspective view of a **2 IN 1 USB cable** showing my new design in an unextended position;
FIG. 2 is a front view thereof;
FIG. 3 is a back view thereof;
FIG. 4 is a left side view thereof;
FIG. 5 is a right side view thereof;
FIG. 6 is a top view thereof;
FIG. 7 is a bottom view thereof; and,
FIG. 8 is a perspective view of a **2 IN 1 USB cable** in an extended position.

1 Claim, 6 Drawing Sheets



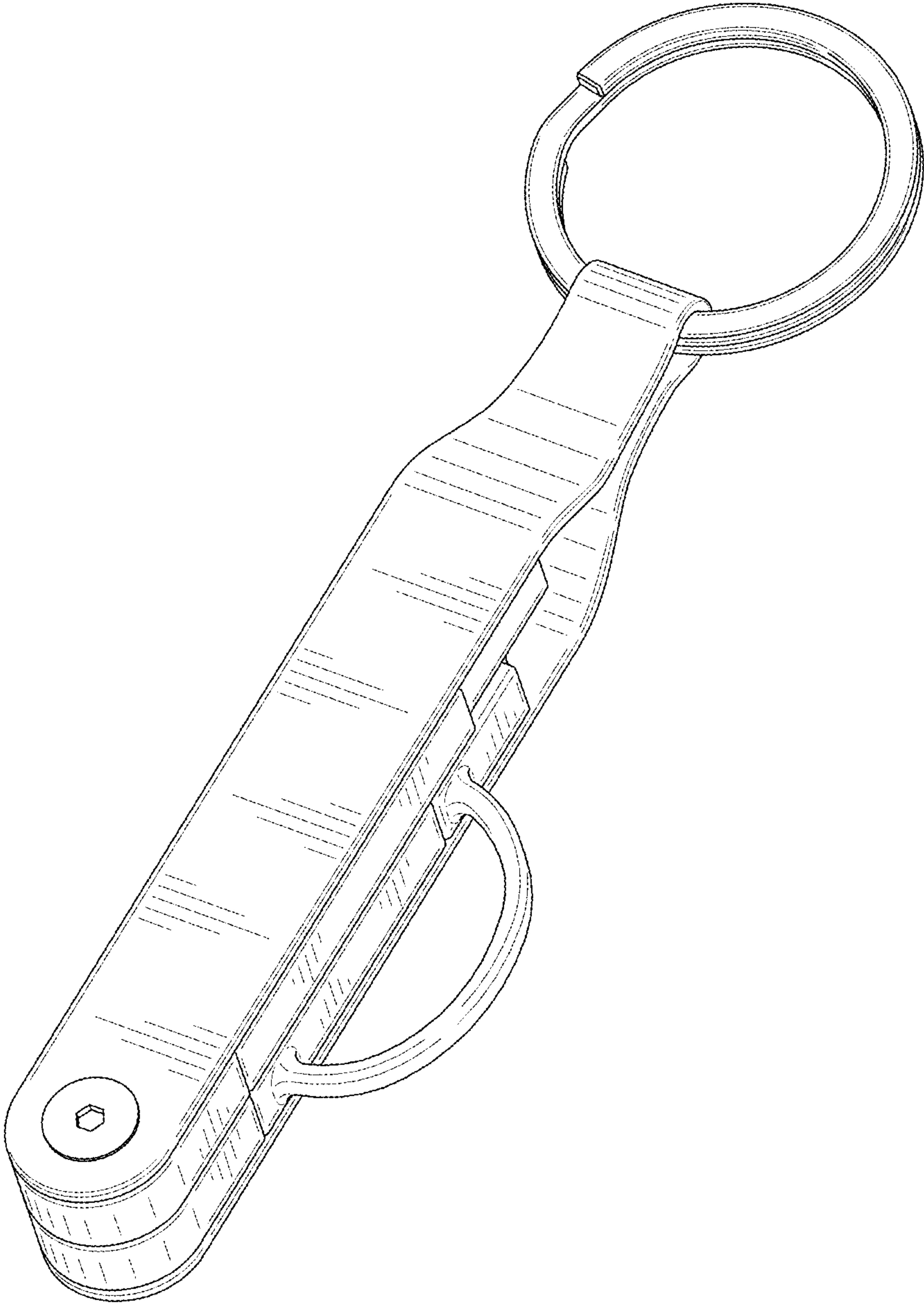


FIG. 1

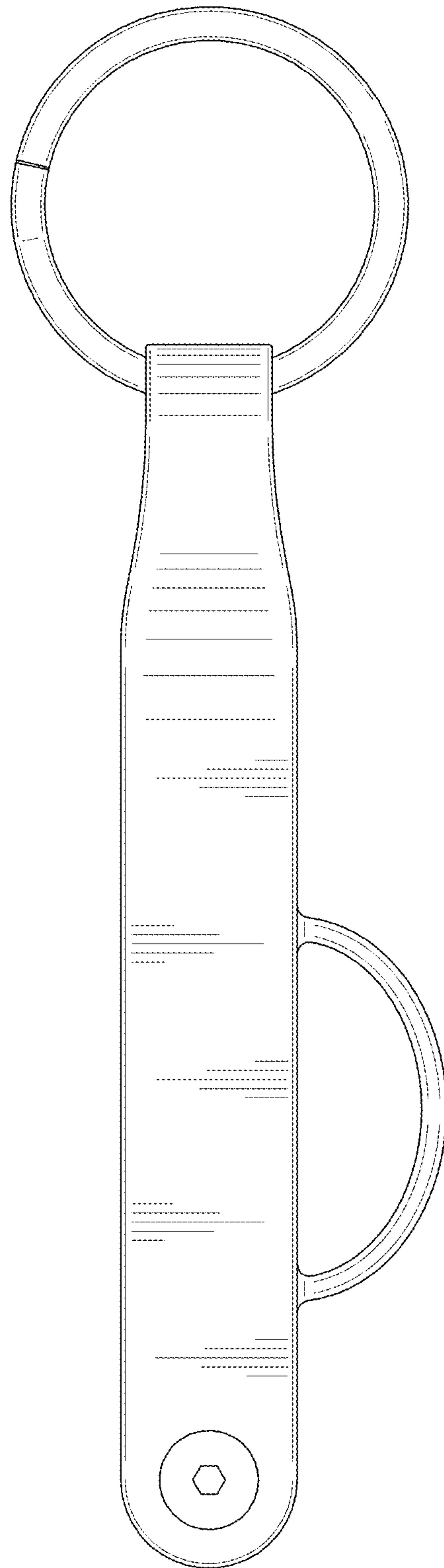


FIG. 2

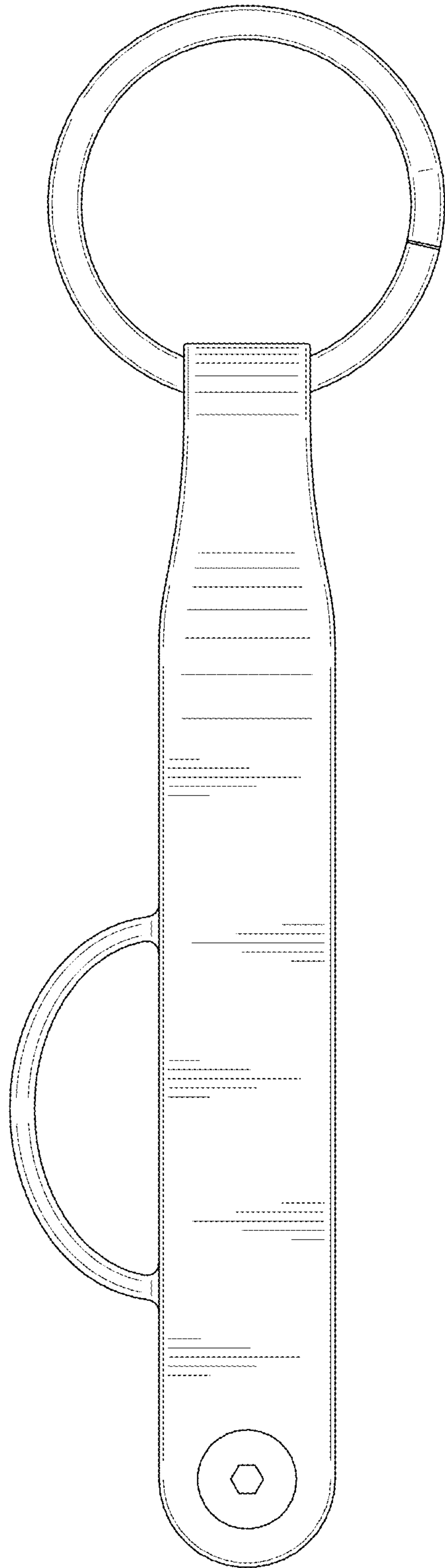


FIG. 3

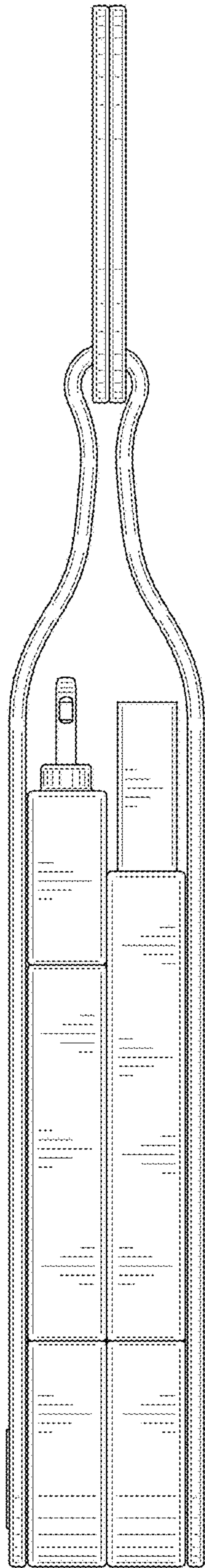


FIG. 4

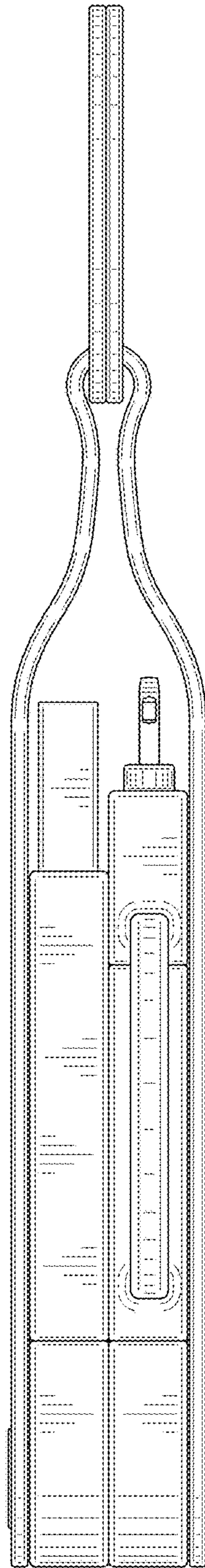


FIG. 5

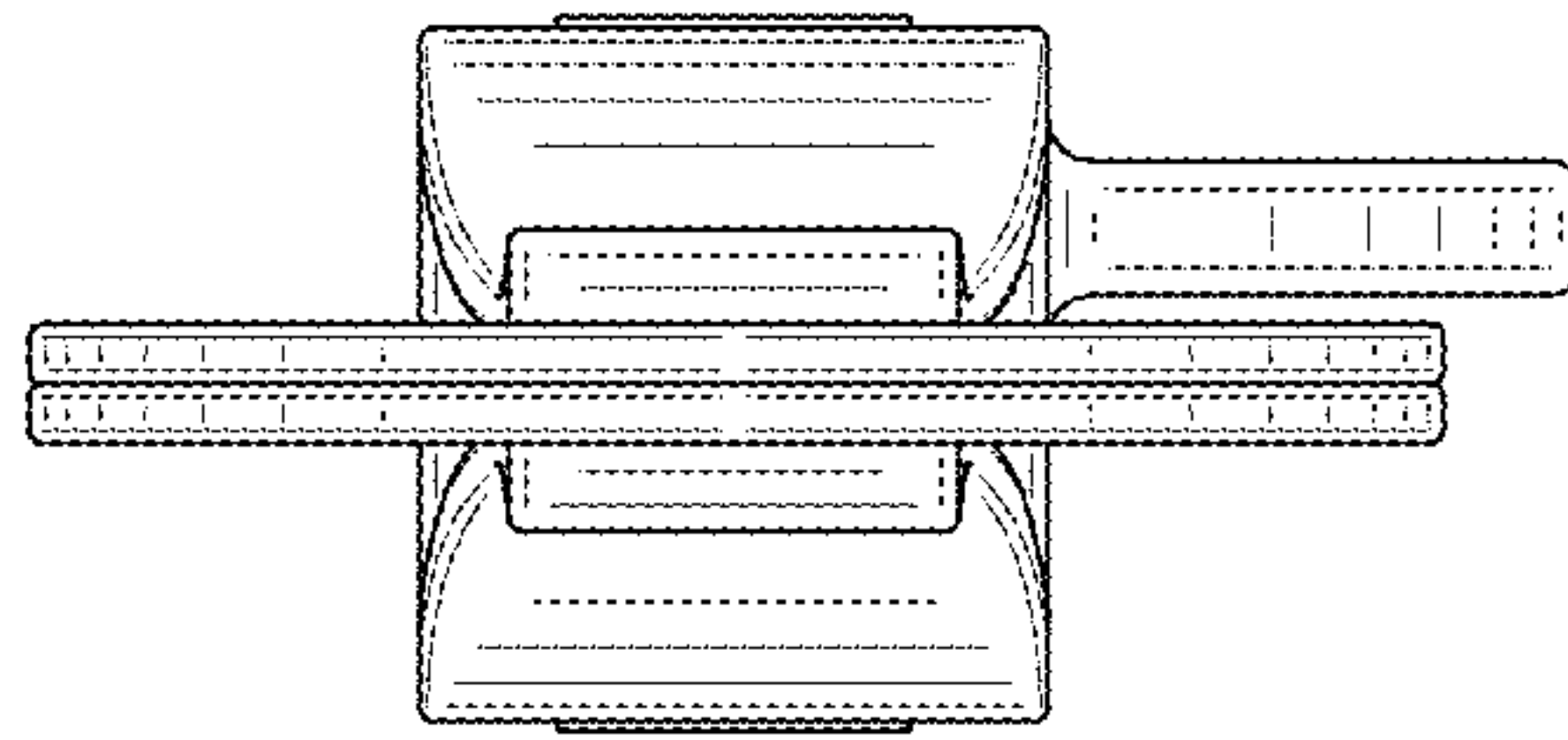


FIG. 6

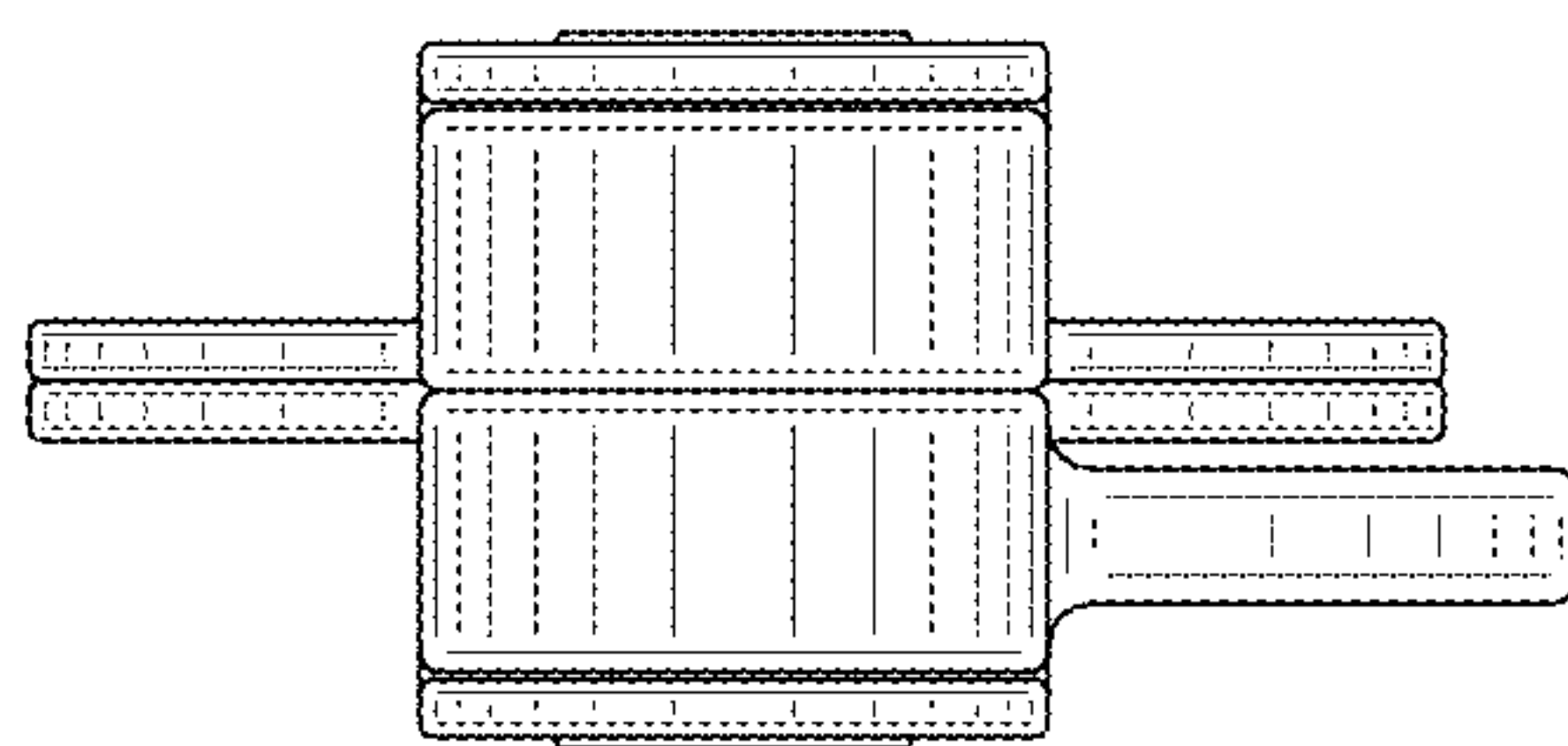


FIG. 7

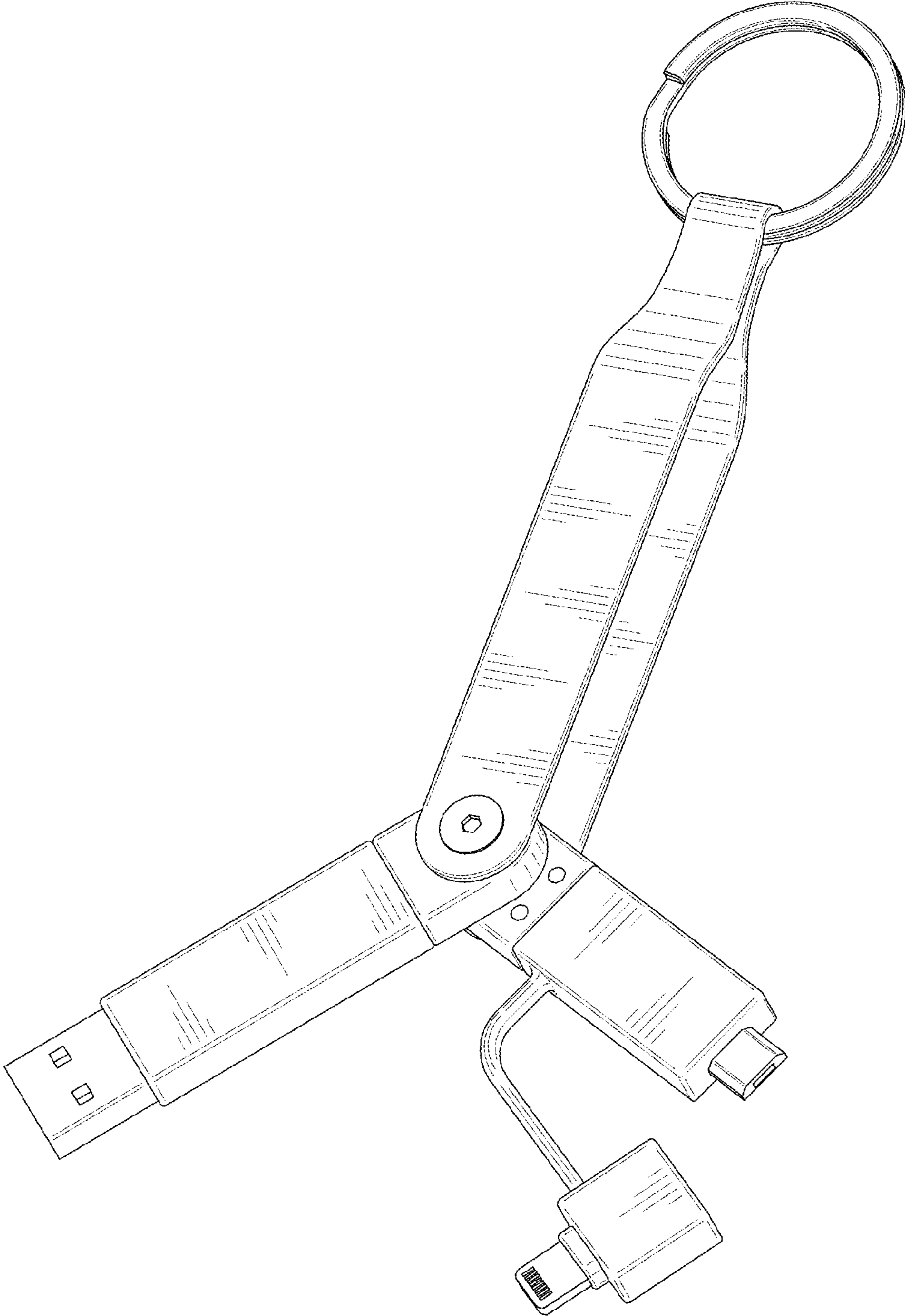


FIG. 8