



US00D802594S

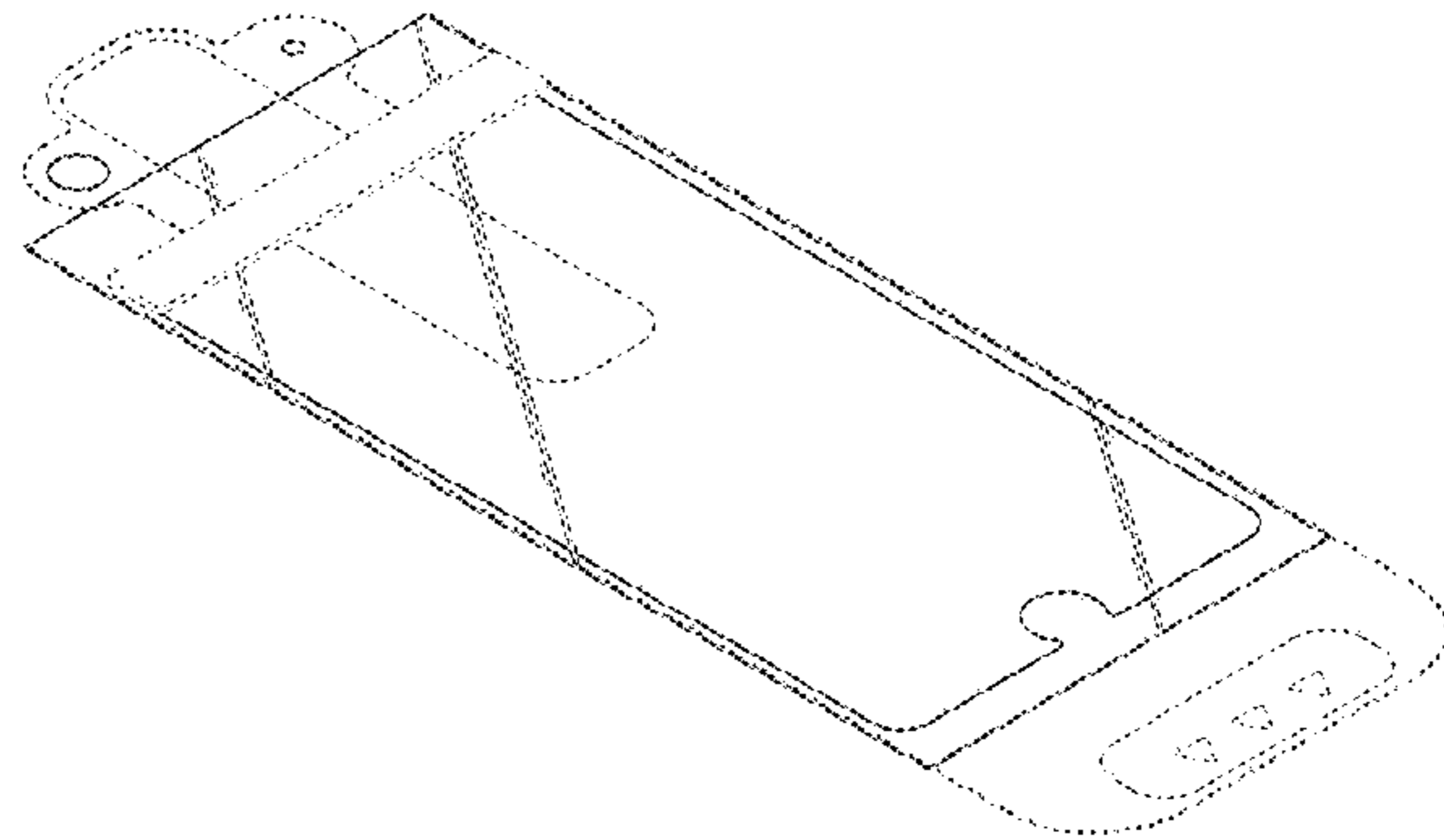
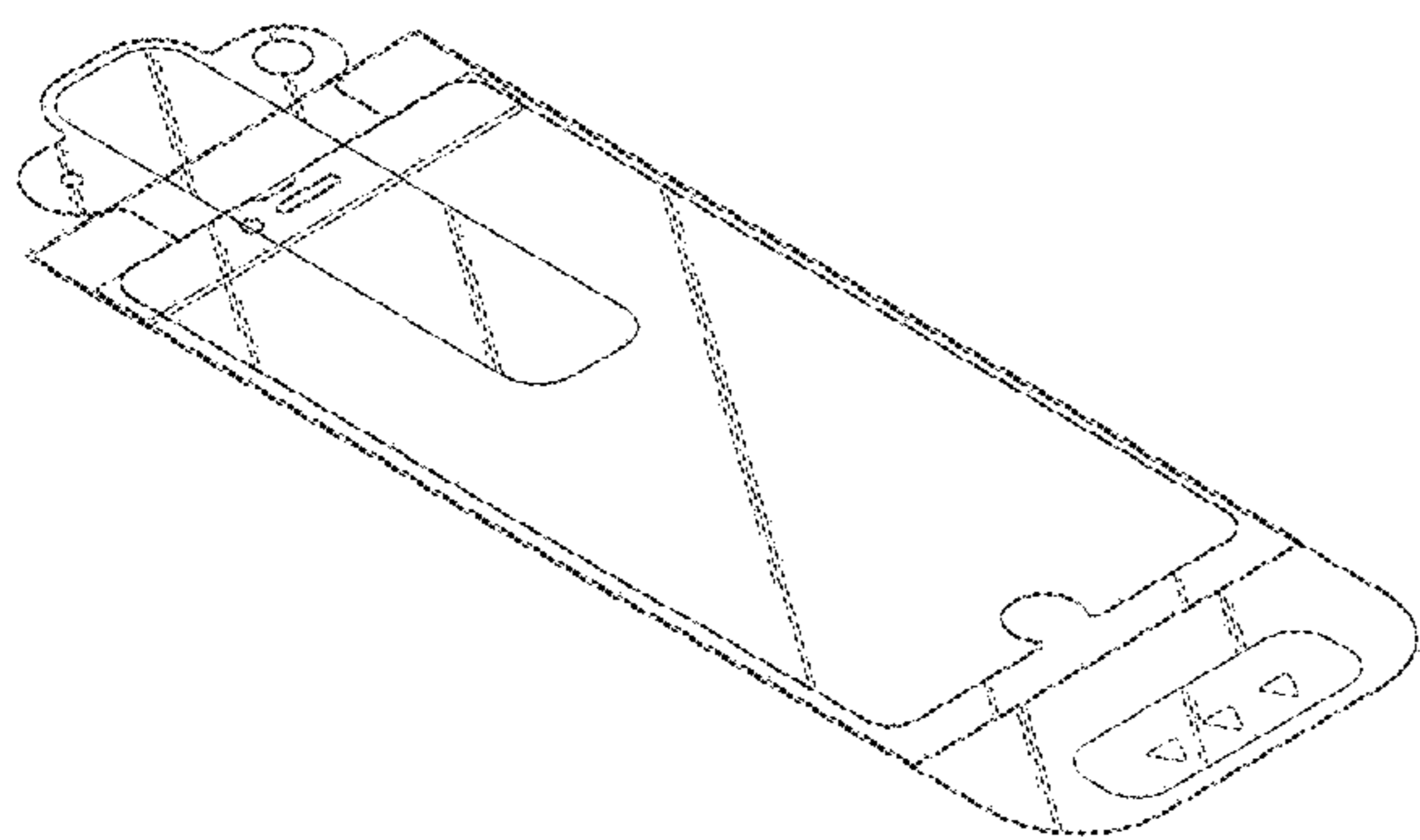
(12) **United States Design Patent** (10) **Patent No.:** **US D802,594 S**  
**Beaupre et al.** (45) **Date of Patent:** **\*\* Nov. 14, 2017**

- (54) **OVERLAY**
- (71) Applicant: **Belkin International, Inc.**, Playa Vista, CA (US)
- (72) Inventors: **Eric Beaupre**, Los Angeles, CA (US); **John F. Wadsworth**, Burbank, CA (US); **David A. Kleeman**, Marina del Rey, CA (US); **Yuhua Lin**, Changzhou (CN)
- (73) Assignee: **BELKIN INTERNATIONAL, INC.**, Playa Vista, CA (US)
- (\*\*) Term: **15 Years**
- (21) Appl. No.: **29/566,355**
- (22) Filed: **May 27, 2016**
- (51) **LOC (10) Cl.** ..... **14-02**
- (52) **U.S. Cl.**  
USPC ..... **D14/432**
- (58) **Field of Classification Search**  
USPC ..... D14/316-319, 432-439, 442, 451-454, D14/496, 495, 391, 385, 367, 356; D8/331, 330; D18/50, 4.6, 4.5; 439/630, 439/635, 639, 160; 360/2; 235/492, 486, 235/479, 380  
CPC ..... G06F 1/1643; G06F 1/169; H04B 1/3888  
See application file for complete search history.

7,957,524	B2	6/2011	Chipping	
7,966,861	B2	6/2011	Yee et al.	
D641,210	S *	7/2011	Hamilton	D7/554.3
8,044,942	B1	10/2011	Leonhard et al.	
8,047,365	B1	11/2011	Lin	
D651,214	S	12/2011	Yoo et al.	
D651,791	S *	1/2012	Cataldo	D3/218
D665,809	S	8/2012	Wang et al.	
8,369,072	B1	2/2013	Alonzo et al.	
8,393,377	B2	3/2013	Patel et al.	
8,517,367	B1	8/2013	Napier	
D690,704	S	10/2013	Padilla et al.	
8,564,538	B2	10/2013	Wadsworth	
D694,240	S *	11/2013	Cho	D14/432
8,640,759	B2 *	2/2014	Chen	B29C 63/0004 156/538
8,675,353	B1	3/2014	Alonzo et al.	
D707,217	S	6/2014	Toulotte	
D710,843	S	8/2014	Akana	
D713,397	S	9/2014	Du et al.	
D714,053	S	9/2014	Yoo	
8,821,659	B2	9/2014	Ng et al.	
D715,301	S	10/2014	Ashcraft et al.	
D720,353	S	12/2014	Nakamura	
D721,359	S	1/2015	Kim	
8,931,770	B1	1/2015	Kaminski	
9,010,396	B2 *	4/2015	Patel	B29C 63/0004 156/443
D729,235	S	5/2015	Nagao et al.	
9,089,085	B2	7/2015	Patel et al.	
9,159,260	B2	10/2015	Oh	
D743,402	S *	11/2015	Ehara	D14/432
D751,556	S	3/2016	Conley et al.	
D751,557	S	3/2016	Lane	
D759,640	S	6/2016	Wadsworth	
D767,550	S *	9/2016	Beaupre	D14/250
D776,123	S *	1/2017	Akana	D14/440
D777,714	S *	1/2017	Akana	D14/250
D778,869	S *	2/2017	Kim	D14/138 G
D781,861	S	3/2017	Lane et al.	
D783,024	S	4/2017	Conley et al.	
9,662,860	B2	5/2017	Wadsworth	
9,688,016	B2	6/2017	Rostami	
9,701,062	B2	7/2017	Wadsworth et al.	
9,701,096	B2	7/2017	Beaupre	
2002/0054030	A1	5/2002	Murphy	
2004/0109096	A1	6/2004	Anderson et al.	
2004/0246386	A1	12/2004	Thomas et al.	
2005/0030296	A1	2/2005	Stohrer et al.	
2005/0164148	A1	7/2005	Sinclair	
2007/0013662	A1	1/2007	Fauth	
2007/0058990	A1	3/2007	Weaver et al.	
2007/0115621	A1	5/2007	Guillen	

(56) **References Cited**  
U.S. PATENT DOCUMENTS

4,285,559	A	8/1981	Koch
D305,648	S	1/1990	Edington
4,895,231	A	1/1990	Yamaguchi et al.
5,069,732	A	12/1991	Levine
5,680,709	A	10/1997	Stone
5,805,251	A	9/1998	Ozawa
6,406,758	B1	6/2002	Bottari et al.
7,084,859	B1	8/2006	Pryor
D598,024	S	8/2009	Scott et al.
D601,959	S	10/2009	Lee
D601,960	S	10/2009	Dai
7,697,827	B2	4/2010	Konicek



# US D802,594 S

2007/0229962	A1	10/2007	Mason, Jr.	EM	0024866960010	6/2004
2007/0247793	A1	10/2007	Carnevali	EM	0024866960011	6/2004
2007/0293282	A1	12/2007	Lewis et al.	EM	0024866960012	6/2004
2009/0015509	A1	1/2009	Gottwald et al.	EM	0024866960013	6/2004
2009/0133219	A1	5/2009	Lowry et al.	EM	0024866960014	6/2004
2009/0186181	A1	7/2009	Mase	EM	0024866960015	6/2004
2009/0314400	A1*	12/2009	Liu ..... A45C 11/00 150/165	EM	0024866960016	6/2004
				EM	0024867120001	6/2004
2010/0053926	A1	3/2010	Shi et al.	EM	0024867120002	6/2004
2010/0079972	A1	4/2010	Chen et al.	EM	0024867120003	6/2004
2010/0097757	A1	4/2010	Wang	EM	0024867120004	6/2004
2010/0309152	A1	12/2010	Kusuda et al.	EM	0024867120005	6/2004
2011/0206887	A1	8/2011	Kim	EM	0024867120006	6/2004
2011/0267793	A1	11/2011	Cohen	EM	0024867120007	6/2004
2011/0279383	A1*	11/2011	Wilson ..... G06F 3/041 345/173	EM	0024867120008	6/2004
				EM	0024867120009	6/2004
				EM	0024867120010	6/2004
2011/0309608	A1	12/2011	Flynn et al.	EM	0024867120011	6/2004
2012/0043015	A1	2/2012	Feller	EM	0024867120012	6/2004
2012/0063077	A1	3/2012	Tomobe et al.	EM	0024867120013	6/2004
2012/0076967	A1	3/2012	Muramatsu	EM	0024867120013	6/2004
2012/0087072	A1	4/2012	McGuire et al.	EM	0024867120014	6/2004
2012/0110868	A1*	5/2012	Abbondanzio ..... B29C 63/0004 33/645	EM	0024867120015	6/2004
				EM	0024867120016	6/2004
2012/0183712	A1	7/2012	Leonhard et al.	JP	10199422	7/1998
2012/0211168	A1	8/2012	Patel et al.	JP	2002049327	2/2002
2012/0261930	A1*	10/2012	Bethea ..... A45F 5/00 294/25	JP	2002057764	2/2002
				JP	2003066419	3/2003
				JP	2006145918	6/2006
2012/0268394	A1	10/2012	Hsu et al.	JP	2006155452	6/2006
2012/0276318	A1	11/2012	Franke	JP	3124275	8/2006
2013/0020005	A1	1/2013	Koblick et al.	JP	3180690	12/2012
2013/0020020	A1	1/2013	Liu	KR	200454225	6/2011
2013/0040088	A1	2/2013	Hirayama et al.	KR	101080018	11/2011
2013/0048203	A1*	2/2013	Yau ..... B32B 7/06 156/230	KR	101135144	4/2012
				KR	101176316	8/2012
2013/0156999	A1*	6/2013	Braesch ..... B29C 63/02 428/99	KR	1020130043720	5/2013
				KR	300704457	8/2013
2013/0184845	A1	7/2013	Hales	KR	300704458	8/2013
2013/0237296	A1	9/2013	Chen	KR	300704459	8/2013
2013/0264235	A1	10/2013	Lin	KR	300704460	8/2013
2014/0047708	A1	2/2014	Chae	KR	1020130092713	8/2013
2014/0055927	A1	2/2014	Wang	KR	1020130092804	8/2013
2014/0124146	A1	5/2014	Patel et al.	KR	300720375	12/2013
2014/0250964	A1	9/2014	Dai et al.	KR	300720376	12/2013
2014/0338829	A1	11/2014	Peng et al.	KR	101408663	6/2014
2015/0000831	A1	1/2015	Wang	KR	1020140070046	6/2014
2015/0041069	A1*	2/2015	Wadsworth ..... B29C 63/024 156/535	KR	1020140076245	6/2014
				KR	101468710	12/2014
2015/0047773	A1*	2/2015	Wadsworth ..... B29C 63/0047 156/182	KR	200475419	12/2014
				KR	200475420	12/2014
2015/0107767	A1*	4/2015	Wadsworth ..... B32B 37/0046 156/324	KR	1020140136596	12/2014
				KR	1020140142904	12/2014
2015/0121691	A1	5/2015	Wang	KR	1020140143262	12/2014
				KR	1020150006910	1/2015
				KR	200476916	4/2015
				KR	1020150039292	4/2015
				KR	2020150001663	5/2015
				KR	300804459	7/2015
				KR	1020160022665	3/2016
				KR	1020160022755	3/2016
				KR	1020160061078	5/2016
				KR	1020160088067	7/2016
				KR	1020160091491	8/2016
				KR	2020170000128	1/2017
				TW	I401223	7/2013
				WO	2004005141	1/2004
				WO	2005058705	6/2005
				WO	WO2011065796	6/2011
				WO	2011163151	12/2011
				WO	2012074802	6/2012

## FOREIGN PATENT DOCUMENTS

CN	201456516	5/2010
CN	102632674	8/2012
CN	202623469	12/2012
CN	202896928	4/2013
CN	202967060	6/2013
CN	203077741	7/2013
EM	0024866540001	6/2004
EM	0024866540002	6/2004
EM	0024866540003	6/2004
EM	0024866540004	6/2004
EM	0024866540005	6/2004
EM	0024866540006	6/2004
EM	0024866540007	6/2004
EM	0024866540008	6/2004
EM	0024866960001	6/2004
EM	0024866960002	6/2004
EM	0024866960003	6/2004
EM	0024866960004	6/2004
EM	0024866960005	6/2004
EM	0024866960006	6/2004
EM	0024866960007	6/2004
EM	0024866960008	6/2004
EM	0024866960009	6/2004

## OTHER PUBLICATIONS

International Search Report and Written Opinion for PCT/US2014/071767 dated Apr. 24, 2015.  
 International Search Report and Written Opinion for PCT/US2014/060300 dated Jan. 27, 2015.  
 Amzer—Kristal Screen Protectors—<http://www.amzer.com/kristal/>, Mar. 21, 2014.

MyScreenPROTECTOR—<https://www.myscreenprotector.com/?lng=3&view=cms&txt=about-my-screen-protector>, Mar. 21, 2014.

PureGear—PureTek Roll-On Kit—<http://www.pure-gear.com/shop-by-category/screen/puretek-roll-on-kit-antibacterial-antiglare-anti-fingerprint.html>, Mar. 21, 2014.

TYLT ALIN Perfect Alignment Screen Protection—<http://www.tylt.com/alin/>, Mar. 21, 2014.

ZAGG Introduces invisibleSHIELD on Demand and invisible Shield Glass at CES 2—<http://investors.zagg.com/releasedetail.cfm?ReleaseID=817526>, Mar. 21, 2014.

International Search Report and Written Opinion for PCT/US2014/050420 dated Nov. 19, 2014.

International Search Report and Written Opinion for PCT/US 09/61553, dated Dec. 17, 2009.

Protrusion on “F” key of computer keyboard; 1 page; picture taken Oct. 20, 2008.

Protrusion on “5” key of telephone; 1 page; picture taken Oct. 20, 2008.

Systech Displays, Inc.; Home page; <http://www.systechdisplays.com/>; Oct. 21, 2008; 2 pages.

Translation of KR-10-1135144, retrieved from the Internet on Jun. 9, 2017.

\* cited by examiner

*Primary Examiner* — Austin Murphy

(74) *Attorney, Agent, or Firm* — Bryan Cave LLP

(57) **CLAIM**

We claim the ornamental design for the overlay, substantially as shown and described.

#### DESCRIPTION

FIG. 1 is a top perspective view of an overlay, according to a first embodiment;

FIG. 2 is a bottom perspective view of the overlay, according to the first embodiment;

FIG. 3 is a top plan view of the overlay, according to the first embodiment;

FIG. 4 is a bottom plan view of the overlay, according to the first embodiment;

FIG. 5 is a side elevational view of the overlay, according to the first embodiment, where the opposite side elevational view is a mirror image thereof;

FIG. 6 is an enlarged side elevational view of a portion of the overlay, as identified in FIG. 5, according to the first embodiment;

FIG. 7 is a top perspective view of an overlay, according to a second embodiment;

FIG. 8 is a bottom perspective view of the overlay, according to the second embodiment;

FIG. 9 is a top plan view of the overlay, according to the second embodiment;

FIG. 10 is a bottom plan view of the overlay, according to the second embodiment;

FIG. 11 is a side elevational view of the overlay, according to the second embodiment, where the opposite side elevational view is a mirror image thereof;

FIG. 12 is an enlarged side elevational view of a portion of the overlay, as identified in FIG. 11, according to the second embodiment;

FIG. 13 is a top perspective view of an overlay, according to a third embodiment;

FIG. 14 is a bottom perspective view of the overlay, according to the third embodiment;

FIG. 15 is a top plan view of the overlay, according to the third embodiment;

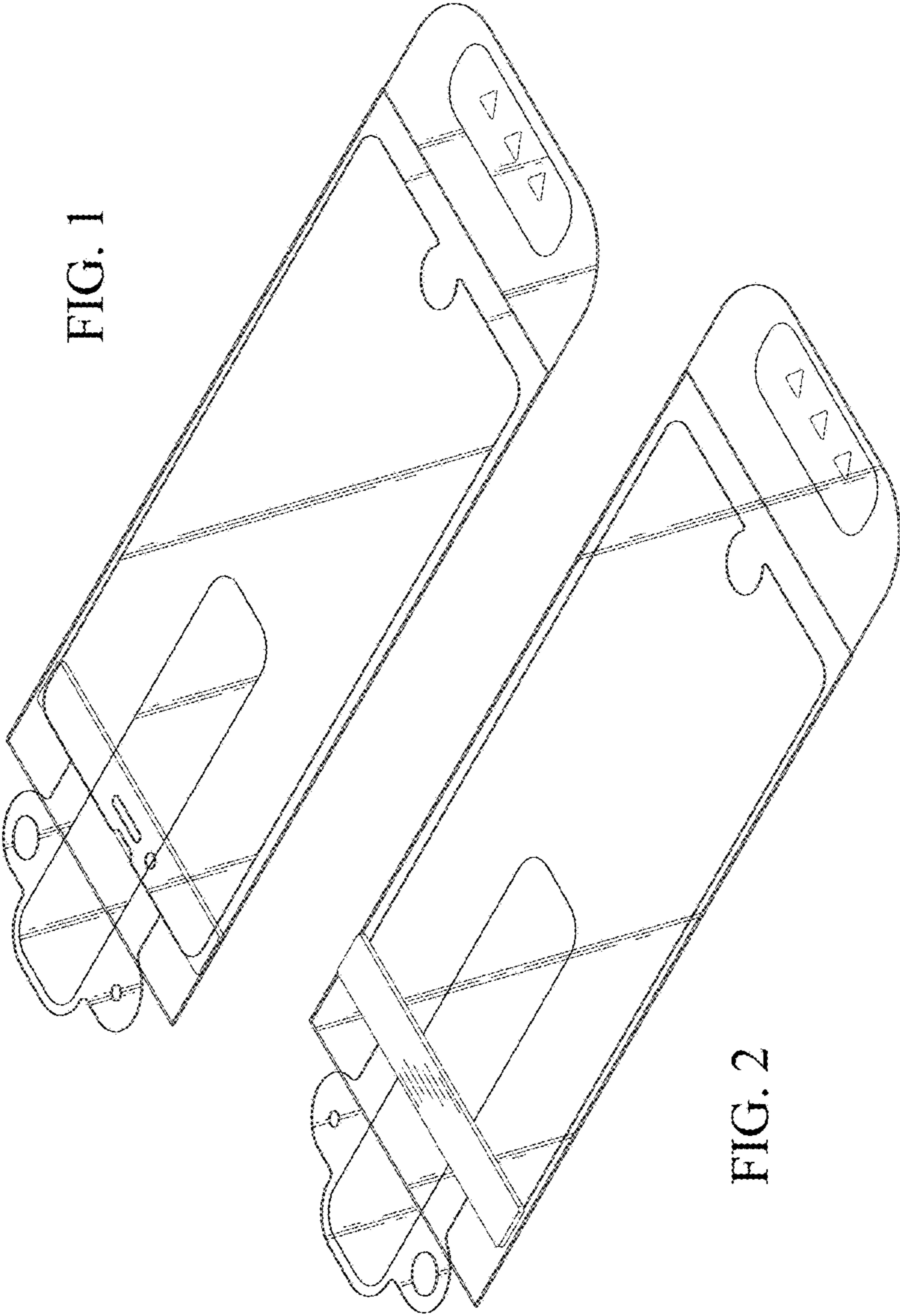
FIG. 16 is a bottom plan view of the overlay, according to the third embodiment;

FIG. 17 is a side elevational view of the overlay, according to the third embodiment, where the opposite side elevational view is a mirror image thereof; and,

FIG. 18 is an enlarged side elevational view of a portion of the overlay, as identified in FIG. 17, according to the third embodiment.

The evenly dashed broken lines of the various embodiments of the overlay are directed to environment and are for illustrative purposes only; the evenly dashed broken lines form no part of the claimed design.

**1 Claim, 9 Drawing Sheets**



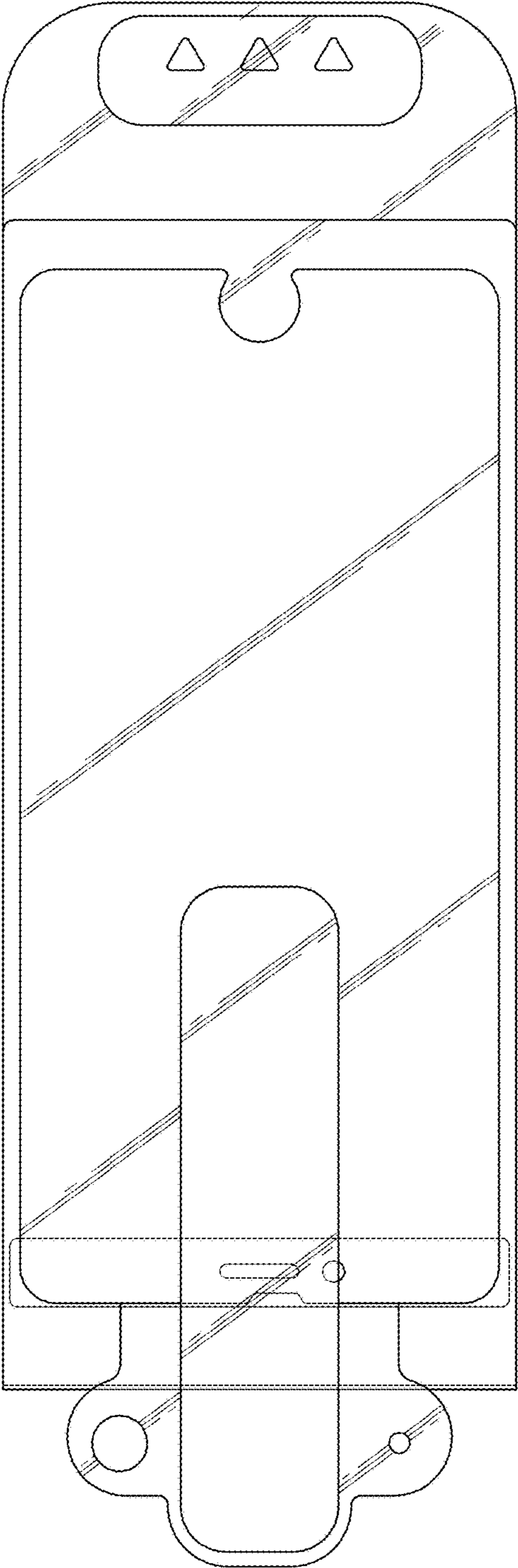


FIG. 3

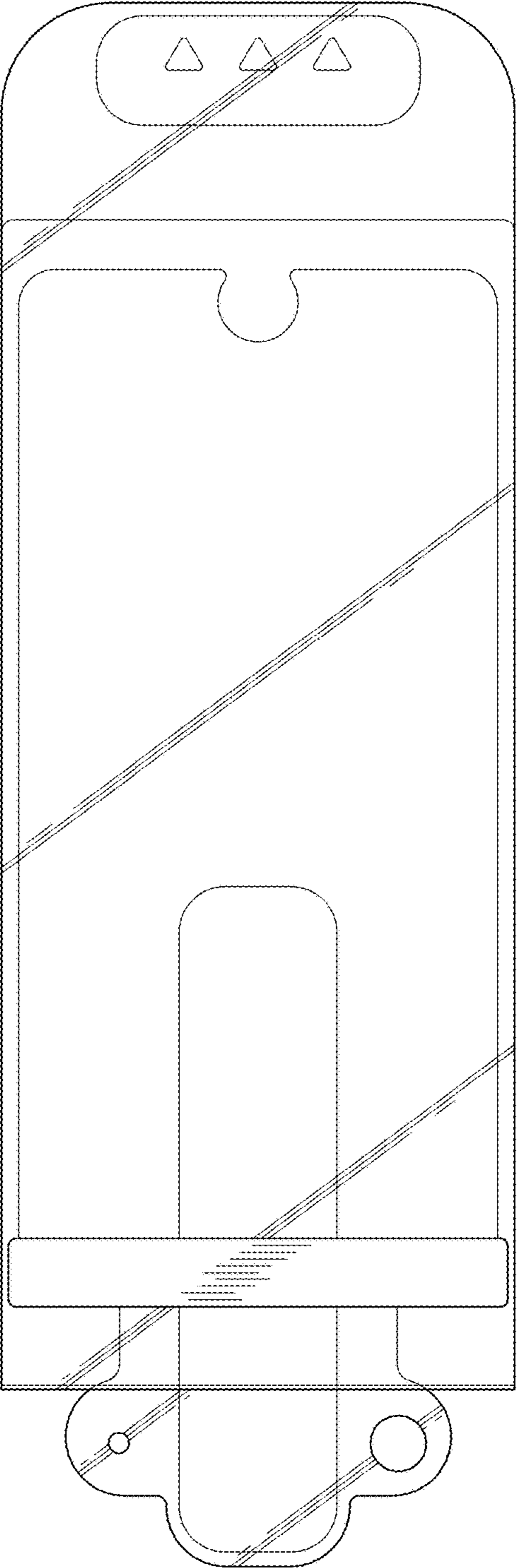
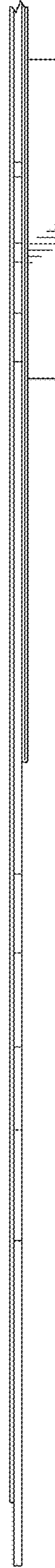
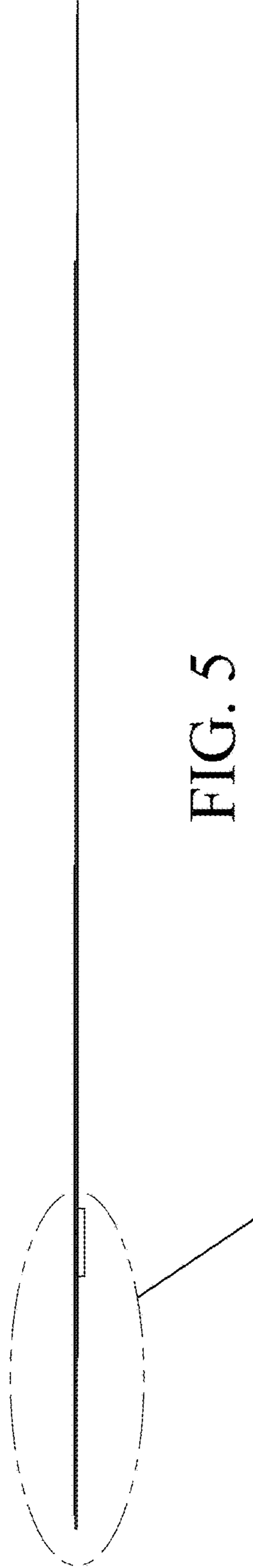
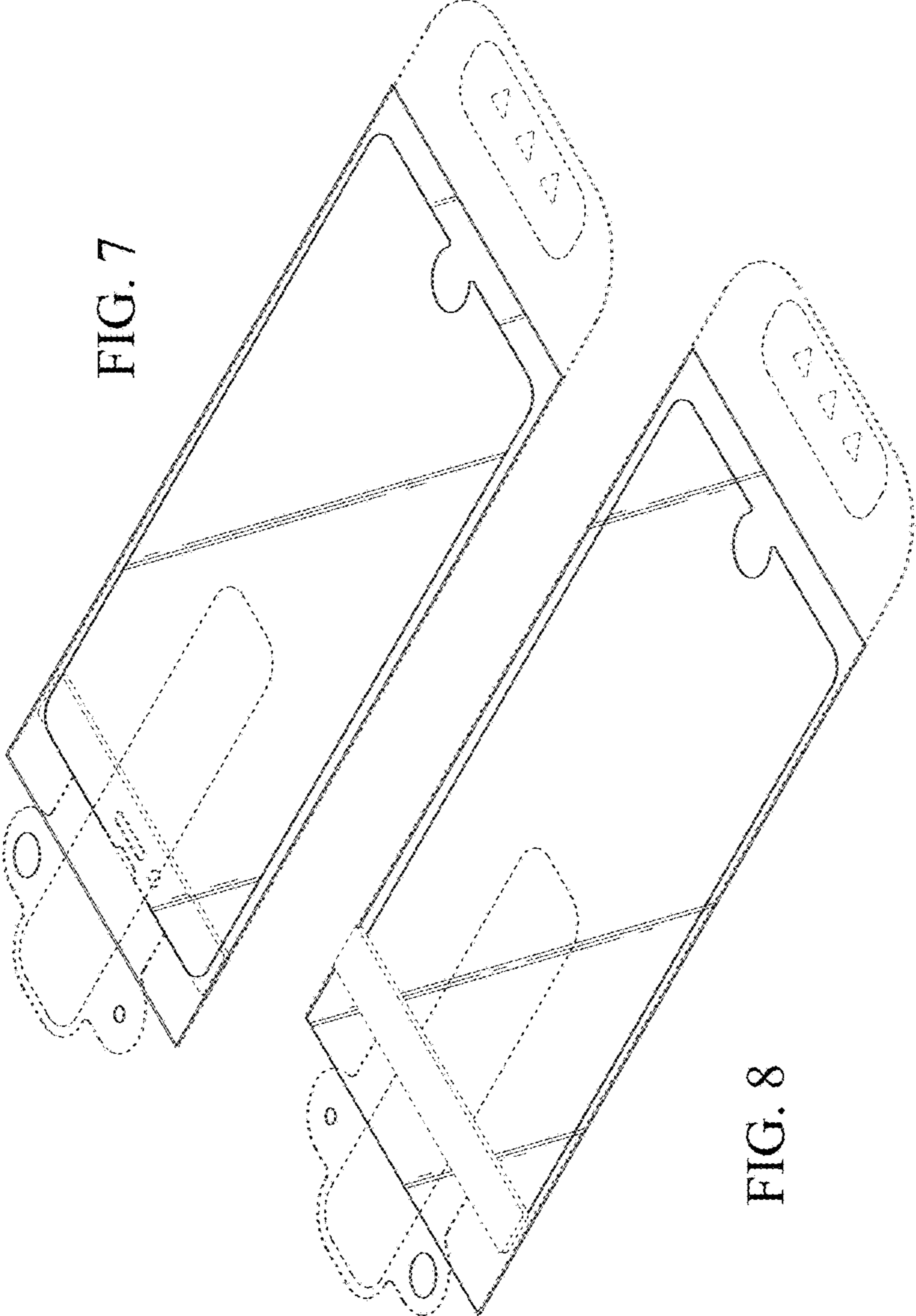


FIG. 4





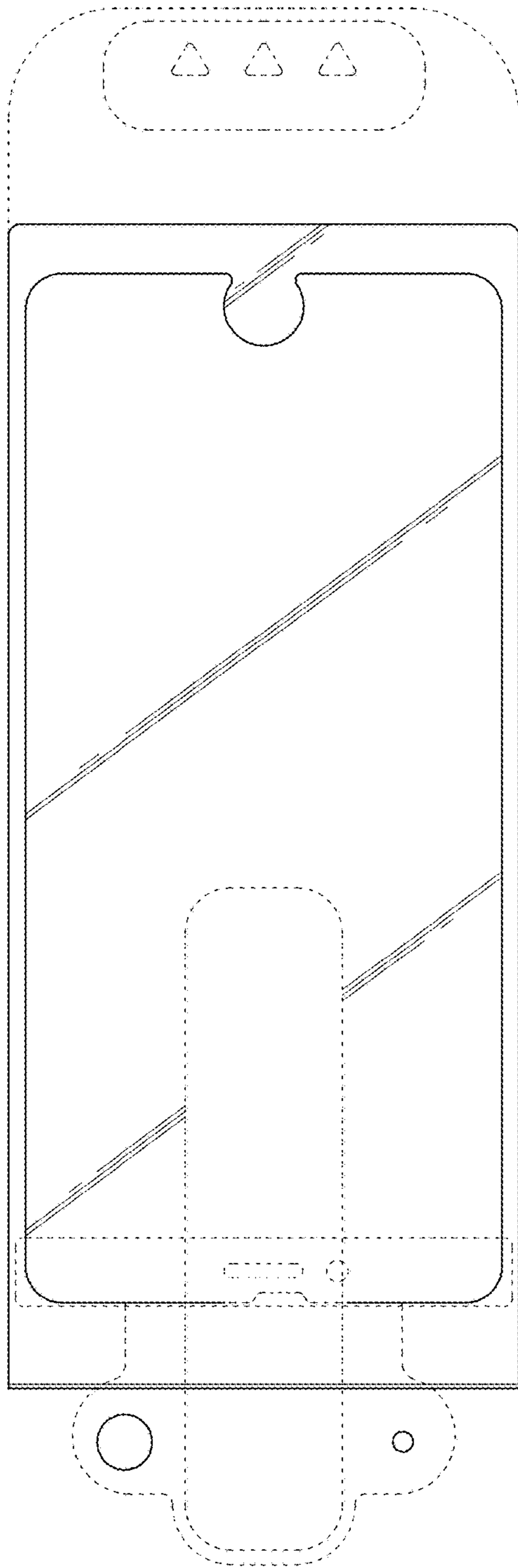


FIG. 9

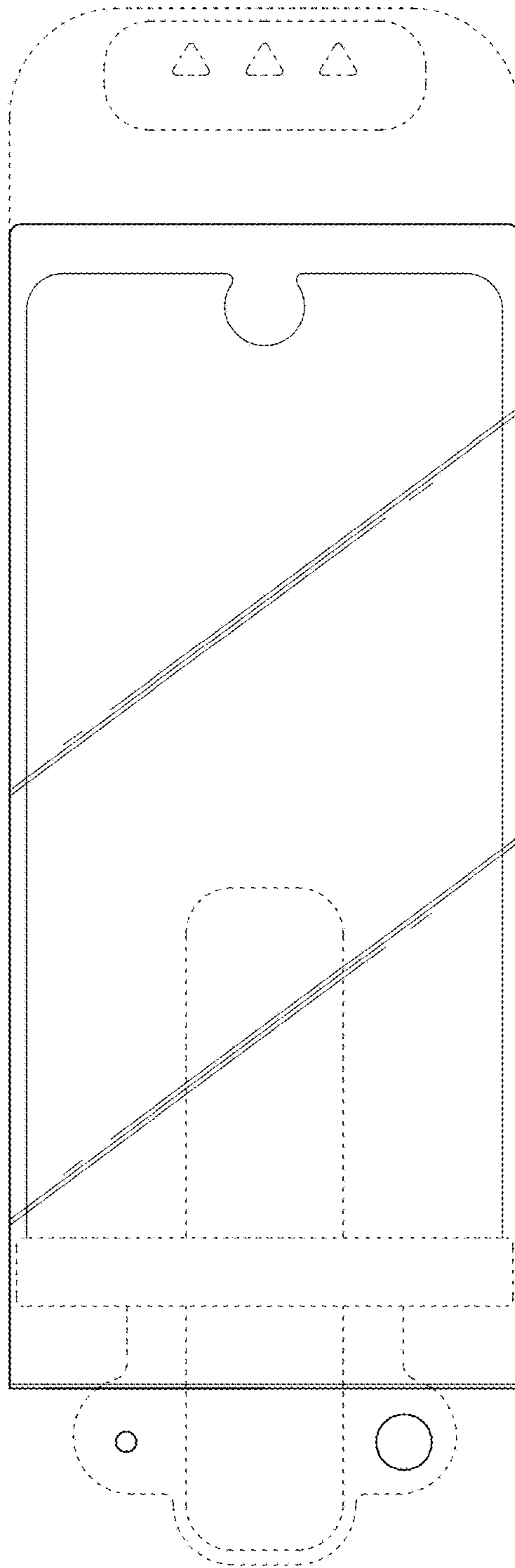


FIG. 10



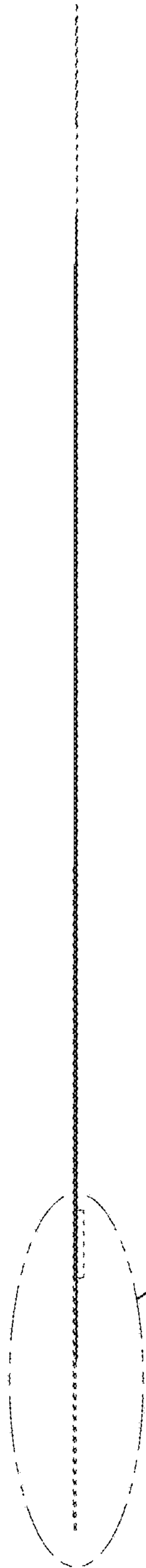


FIG. 11

FIG. 12

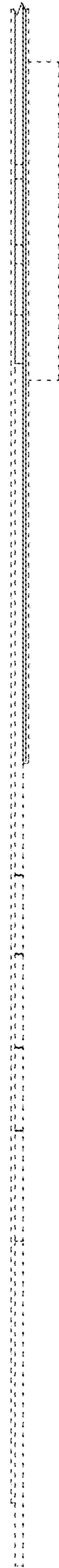


FIG. 12

FIG. 13

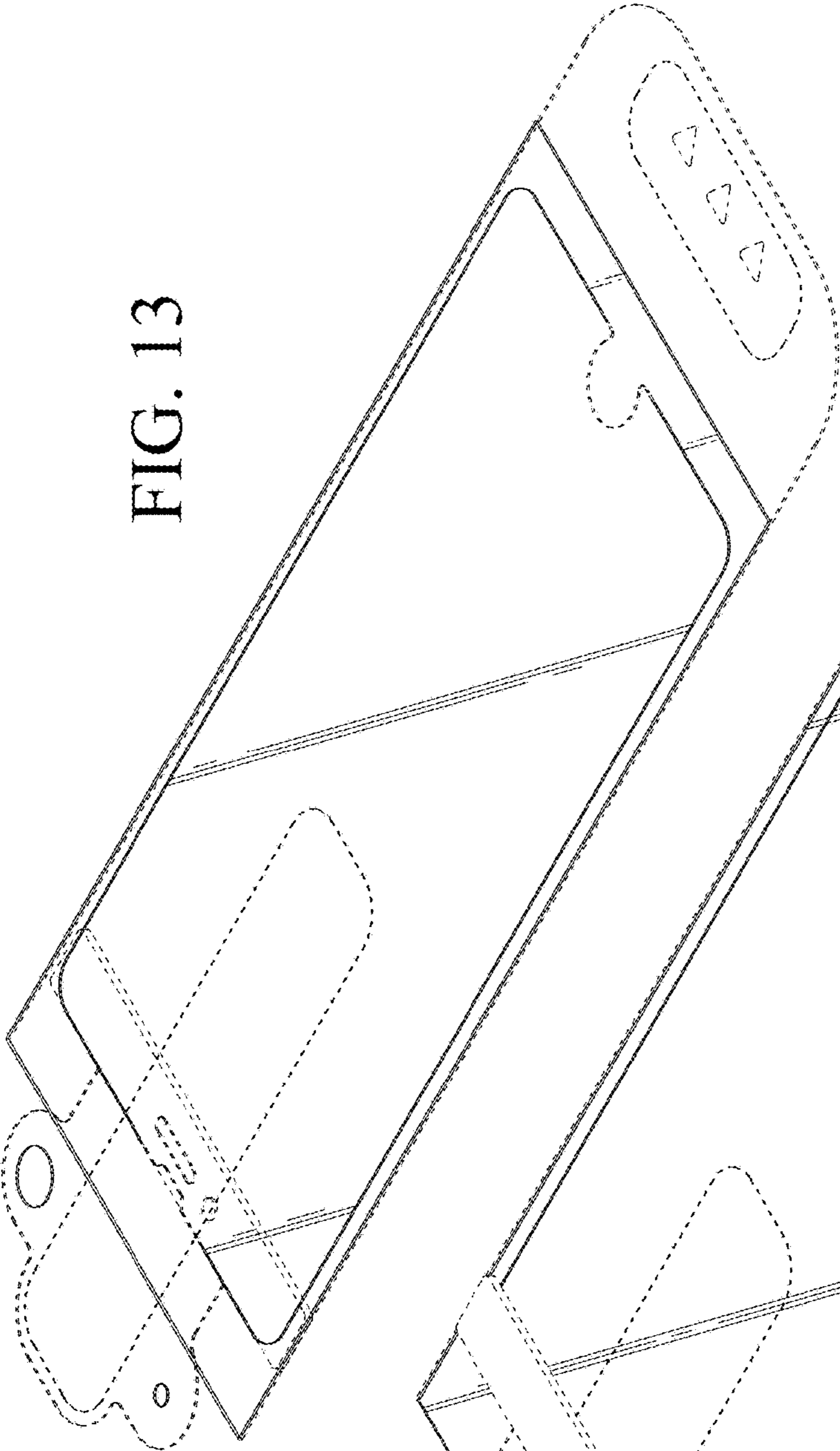
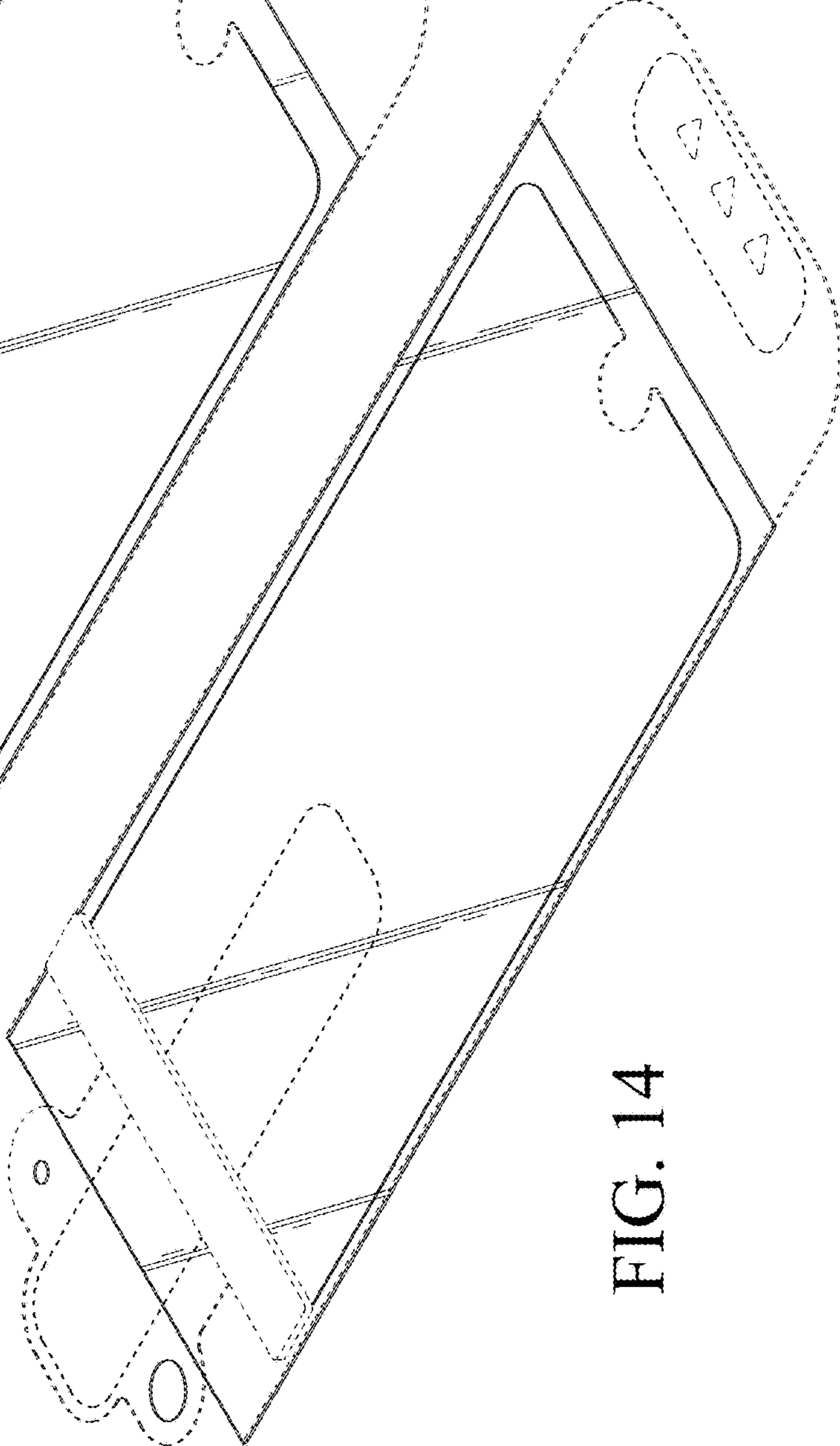


FIG. 14



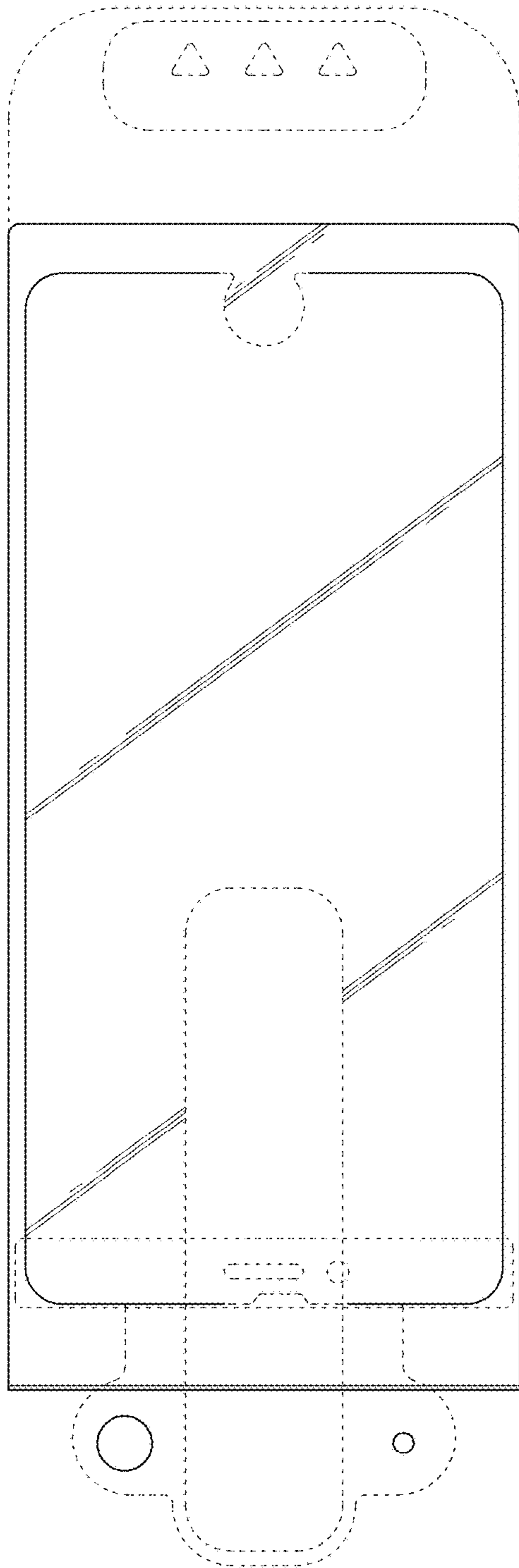


FIG. 15

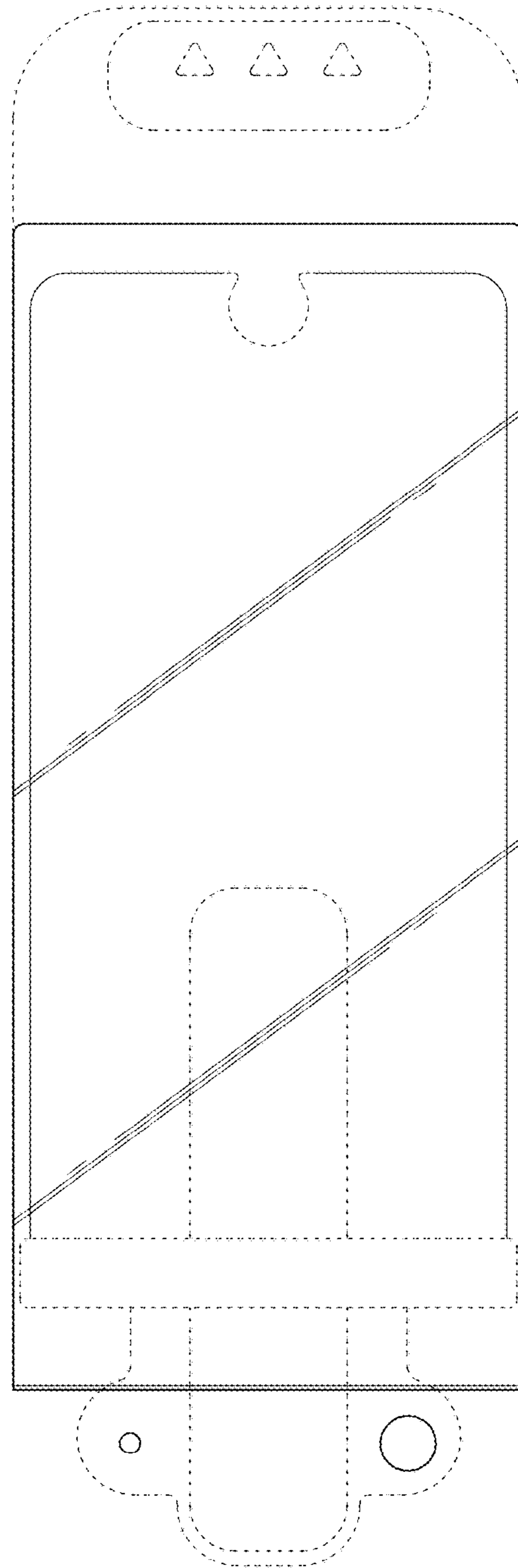


FIG. 16

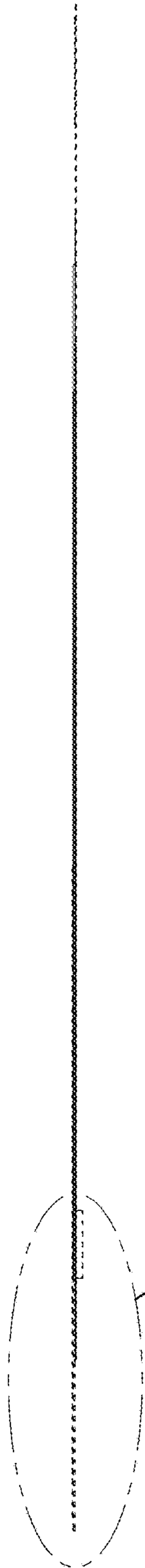


FIG. 17

FIG. 18

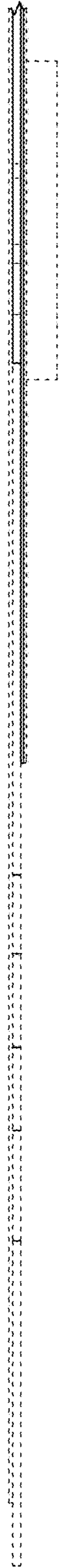


FIG. 18