



US00D802593S

(12) **United States Design Patent** (10) **Patent No.:** **US D802,593 S**
Zhang et al. (45) **Date of Patent:** **** Nov. 14, 2017**

(54) **SCANNER**

(71) Applicant: **Hand Held Products, Inc.**, Fort Mill, SC (US)

(72) Inventors: **Pengfei Zhang**, Shanghai (CN); **Dezhi Yang**, Shanghai (CN)

(73) Assignee: **Hand Held Products, Inc.**, Fort Mill, SC (US)

(**) Term: **15 Years**

(21) Appl. No.: **29/555,990**

(22) Filed: **Feb. 26, 2016**

(30) **Foreign Application Priority Data**

Aug. 28, 2015 (CN) 2015 3 0329152

(51) **LOC (10) Cl.** **14-02**

(52) **U.S. Cl.**
USPC **D14/420**

(58) **Field of Classification Search**

USPC D14/420, 426-430, 453; 235/462.01, 235/462.11, 462.43, 462.45, 462.49, 235/472.01, 385, 454, 435, 439-441, 375, 235/444, 456, 459, 462.14, 462.17, 462.2, 235/462.21, 490, 494, 476, 462.22, 235/462.32, 462.35; 382/313, 321, 318; 358/473; 250/215, 216, 566; D26/37-50, 24; 362/157, 158, 171-174, 362/183-208; 396/427; D24/158

CPC G06K 7/10584; G06K 7/10613; G06K 7/10881; G06K 7/109; G06K 7/10693; G06K 7/10871; G06K 7/1096; G06K 7/10; G06K 7/10564; G06K 7/10594; G06K 7/10603; G06K 7/10663; G06K 7/10673; G06K 7/10702; G06K 7/10792; G06K 7/10633; G06K 7/10653; G06K 7/10891; G06K 7/14; G06K 7/1443; G06K 7/10801; G06K 7/10811; G06K 7/10851; G06K 7/10861; G06K

2207/1011; G06K 2207/1012; G06K 2207/1013; G06K 2207/1016; G06K 2207/1017; G06K 2207/1018; G06K 2207/10534; G06K 17/0022; G06K 7/04; G06K 7/1404; G06K 7/1447; G06K 7/10623; G06K 7/10683; G06K 7/10821; A47F 9/046; A47F 9/047; G07G 1/0045; G04N 5/23238; G04N 5/2252; G04N 5/2251; G03B 17/02; B25H 5/00; B66F 7/28; G02B 26/10; G02B 26/106; G07F 11/002; G07F 11/02; G06Q 20/343; G06F 2203/0331

See application file for complete search history.

(56) **References Cited**

U.S. PATENT DOCUMENTS

D295,413 S * 4/1988 Nakamura D14/420
D314,187 S * 1/1991 Richards D14/381
D335,662 S * 5/1993 Shepard D14/427
D342,245 S * 12/1993 Krichever D14/427

(Continued)

Primary Examiner — Susan Moon Lee

(74) *Attorney, Agent, or Firm* — Additon, Higgins & Pendleton, P.A.

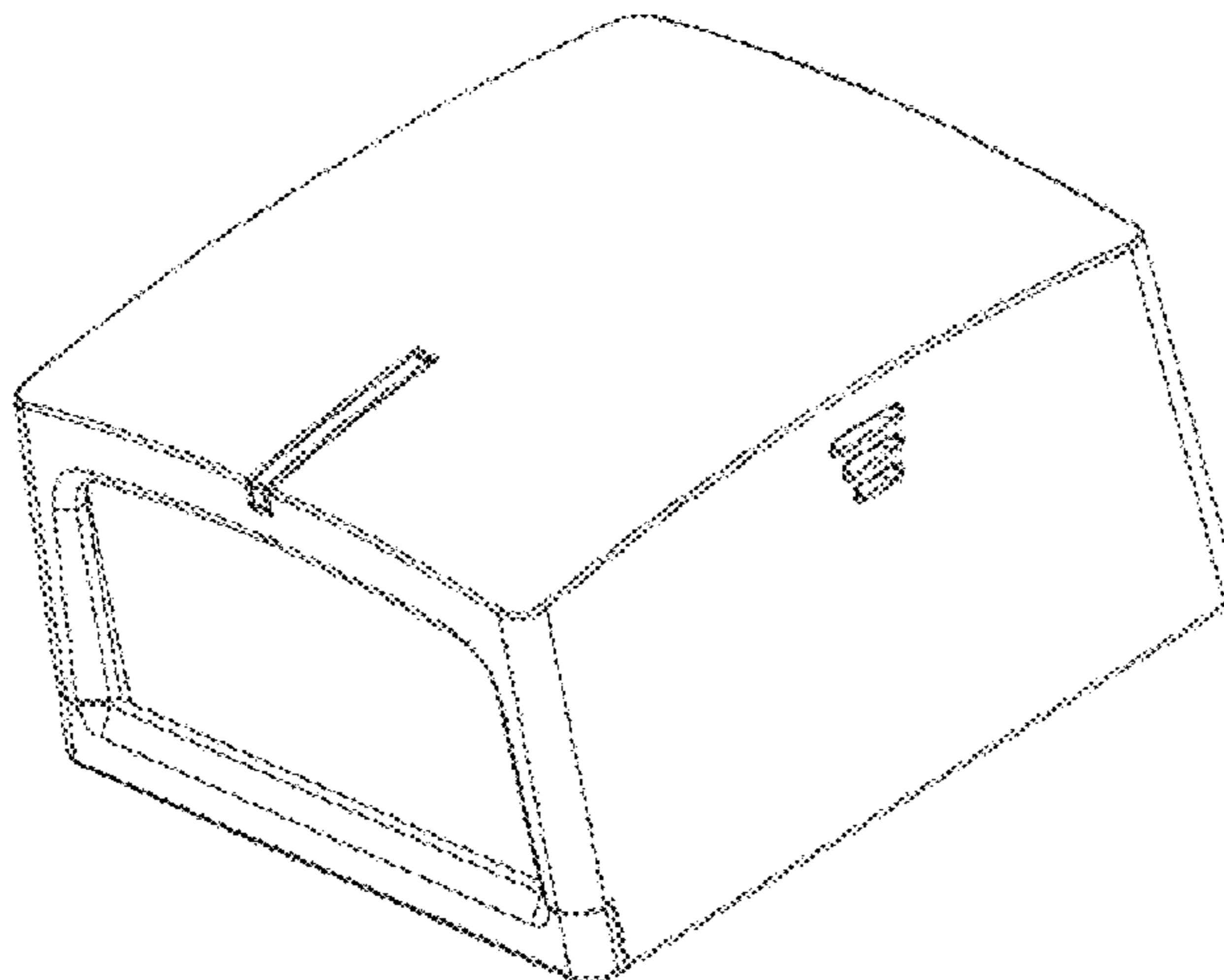
(57) **CLAIM**

The ornamental design for a scanner, as shown and described.

DESCRIPTION

FIG. 1 is a top plan view of a scanner in accordance with the present design;
FIG. 2 is a bottom view thereof;
FIG. 3 is a left side elevation view thereof;
FIG. 4 is a right side elevation view thereof;
FIG. 5 is a rear elevation view thereof;
FIG. 6 is a front elevation view thereof; and,
FIG. 7 is a front perspective view thereof.

1 Claim, 7 Drawing Sheets



(56)

References Cited

U.S. PATENT DOCUMENTS

5,548,106 A * 8/1996 Liang G06K 7/10851
235/454
5,550,366 A * 8/1996 Roustaei G06K 7/10891
235/455
5,610,386 A * 3/1997 Ball G06K 7/10891
235/412
D391,250 S * 2/1998 Swift D14/427
5,808,289 A * 9/1998 Becker G06K 7/10891
235/462.01
D406,827 S * 3/1999 Huang D21/333
RE37,017 E * 1/2001 Stanzani G06K 7/10574
235/440
D442,963 S * 5/2001 Salazar D14/420
D444,811 S * 7/2001 Yamamoto D18/50
6,318,635 B1 * 11/2001 Stoner G06K 7/10722
235/462.32
D453,514 S * 2/2002 Elam D14/420
D454,873 S * 3/2002 Clark D14/358
D529,950 S * 10/2006 Katayama D18/50
7,195,162 B2 * 3/2007 Mazzone G06K 7/10881
235/454
D585,066 S * 1/2009 Morris D14/427
D656,124 S * 3/2012 Smith D14/204
8,235,294 B2 * 8/2012 Miller G06K 7/0004
235/462.46

8,998,091 B2 * 4/2015 Edmonds G06K 7/10554
235/454
D743,397 S * 11/2015 Ciabattini D14/420
D751,078 S * 3/2016 Hatzav D14/420
D755,181 S * 5/2016 Mistkawi D14/420
2004/0149829 A1 * 8/2004 Boucher A47F 9/046
235/462.43
2007/0125864 A1 * 6/2007 Hayakawa G06K 7/10623
235/462.43
2008/0078838 A1 * 4/2008 Morris G06K 7/10891
235/462.44
2008/0245982 A1 * 10/2008 Vonmetz G06K 7/10613
250/566
2010/0133344 A1 * 6/2010 Yamanouchi G06K 7/10861
235/462.43
2010/0277330 A1 * 11/2010 Gentilini G06K 7/10881
340/679
2012/0062963 A1 * 3/2012 Gillham B63C 11/48
358/474
2013/0038985 A1 * 2/2013 Powell G06K 7/109
361/679.01
2013/0341495 A1 * 12/2013 Fabbri G01S 7/493
250/214.1
2015/0371071 A1 * 12/2015 Ciabattini G06K 9/20
235/454
2016/0063293 A1 * 3/2016 Sun G06K 7/10891
235/462.44

* cited by examiner

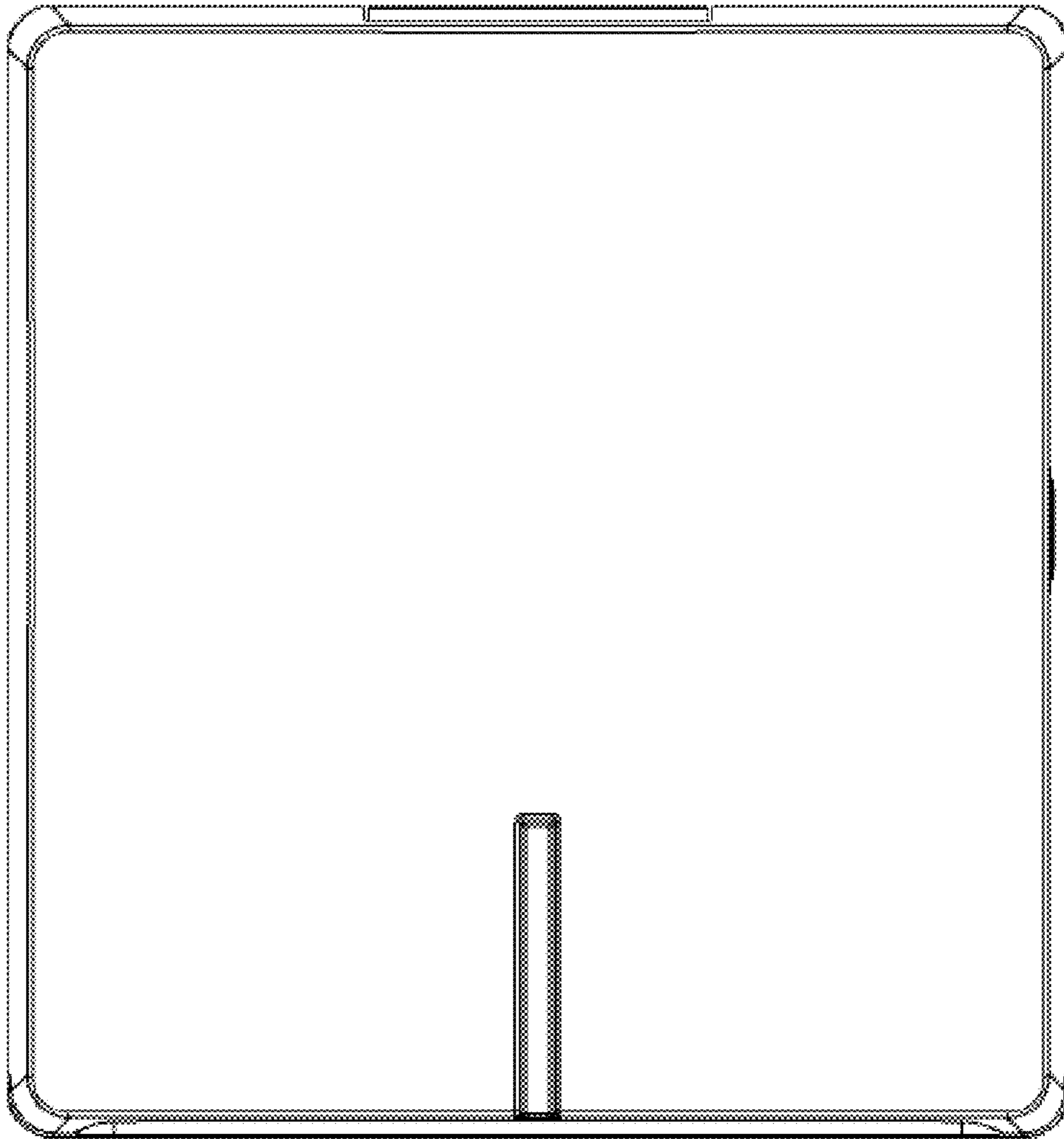


Figure 1

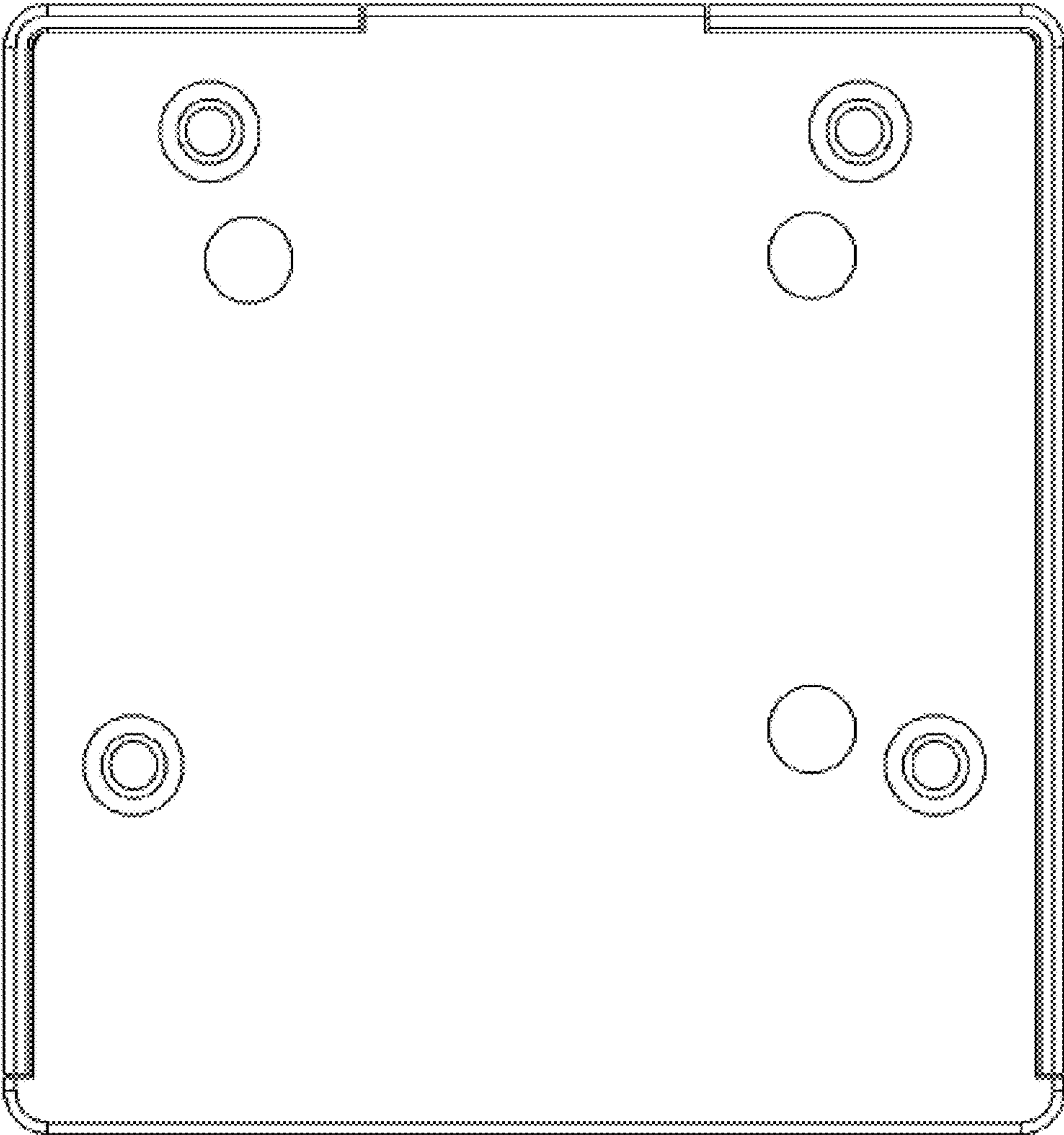


Figure 2

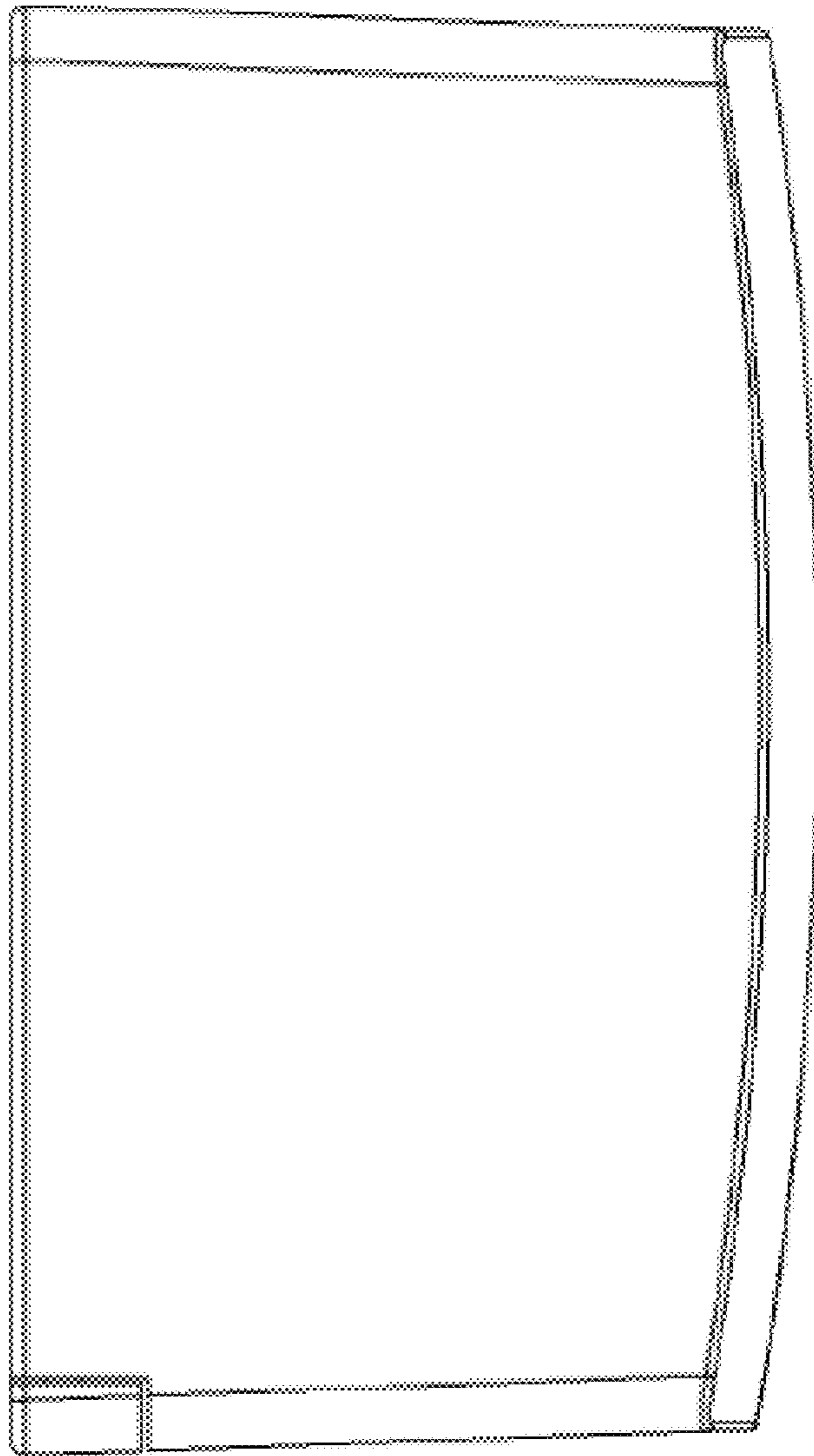


Figure 3

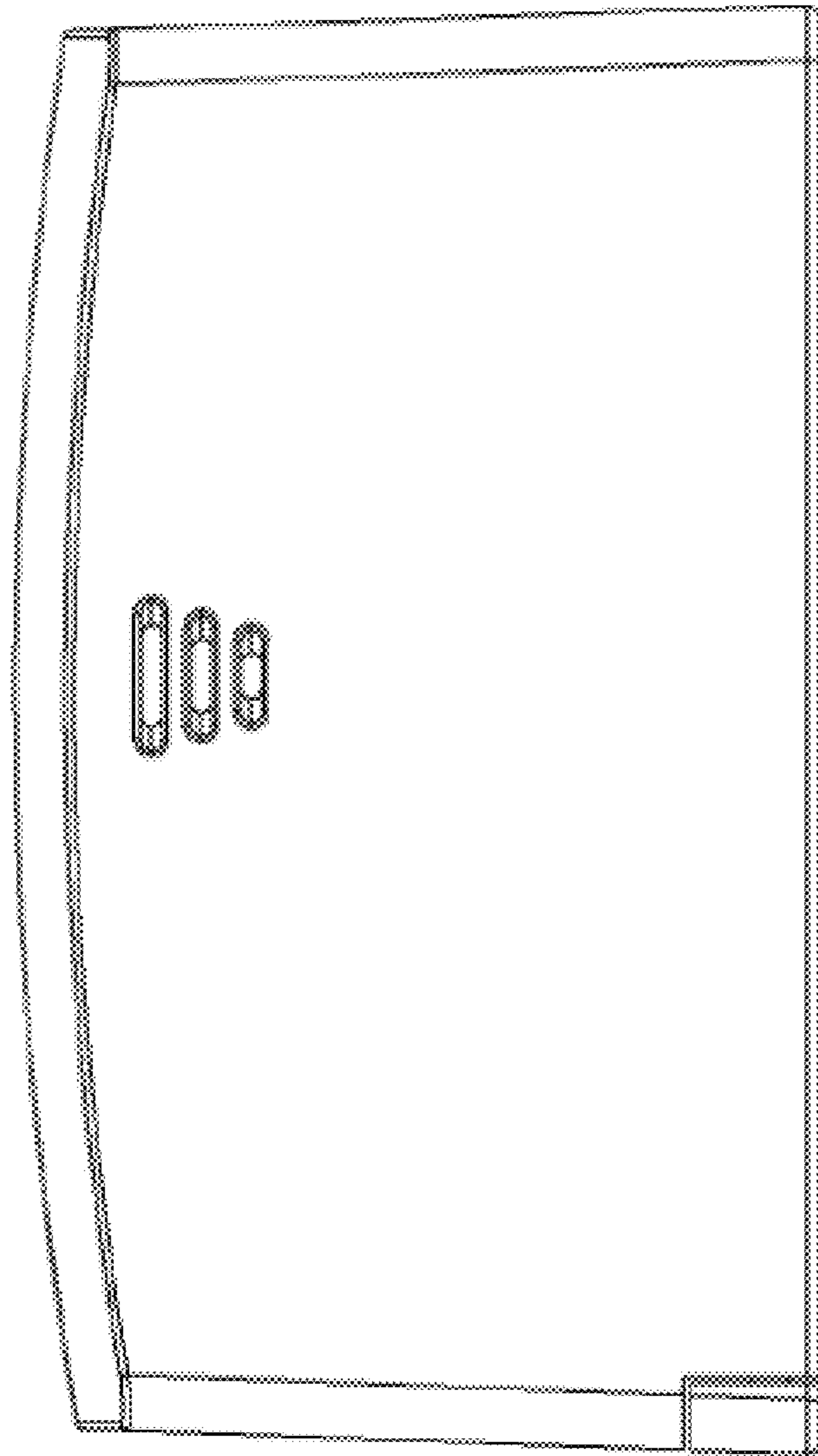


Figure 4

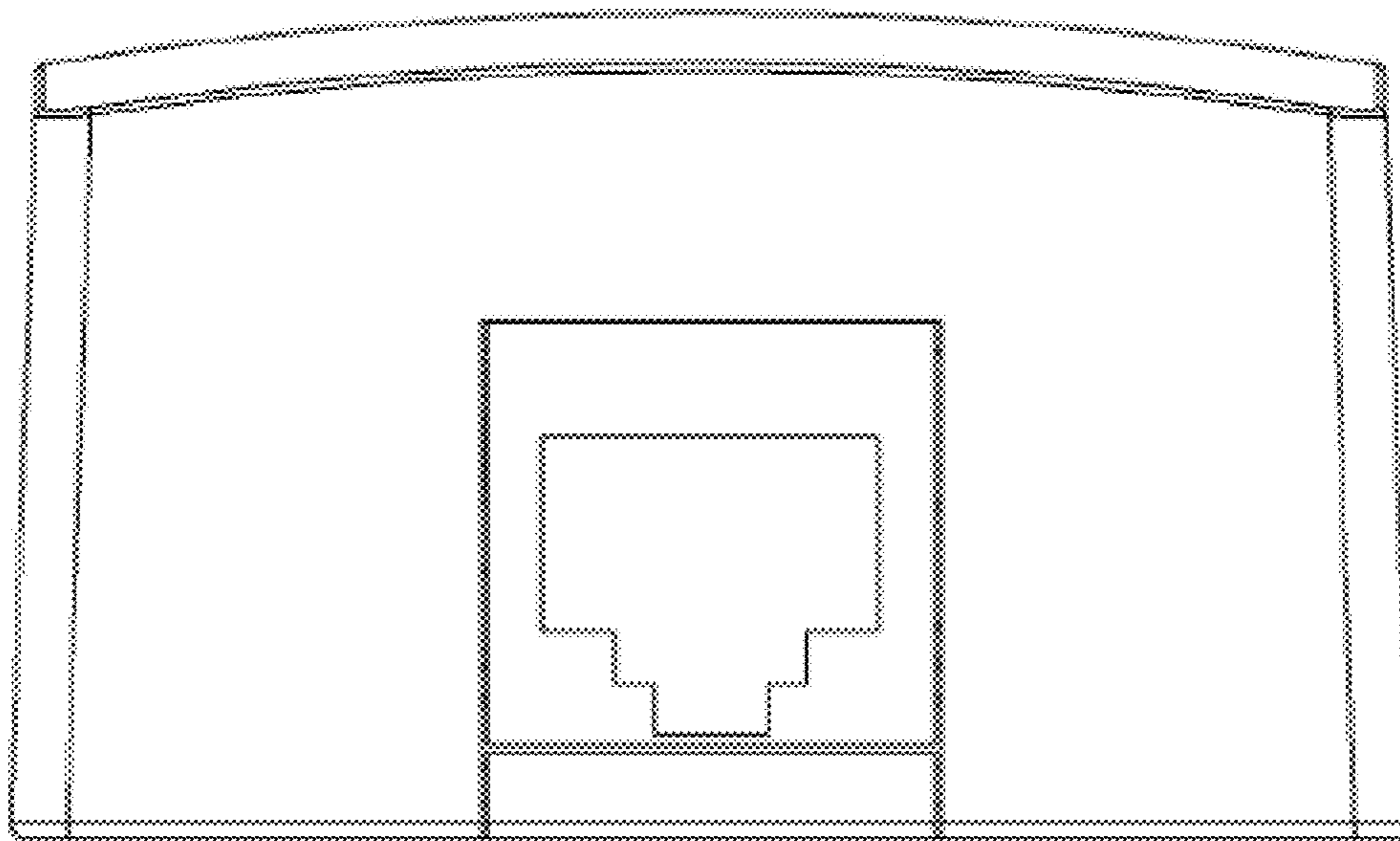


Figure 5

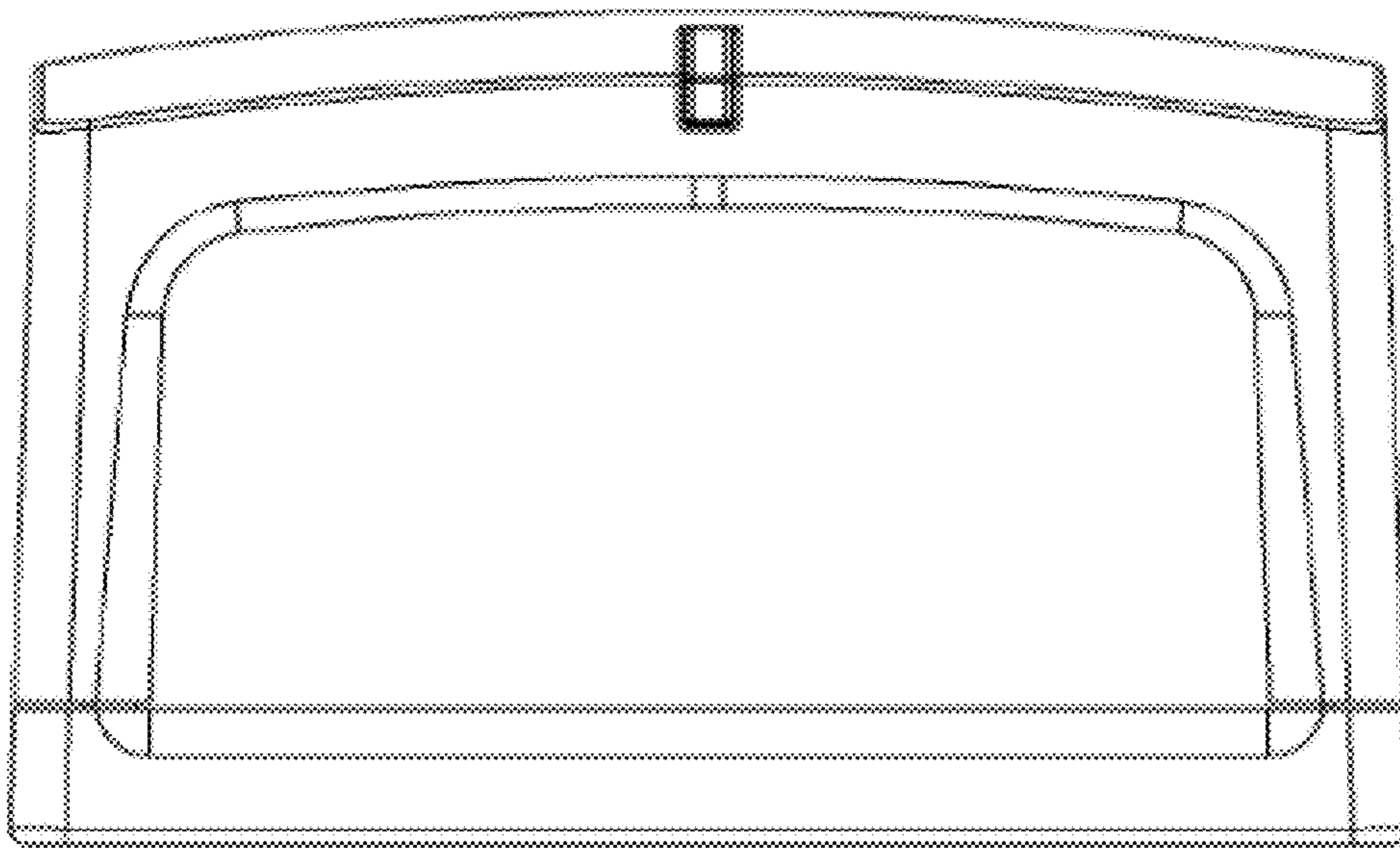


Figure 6

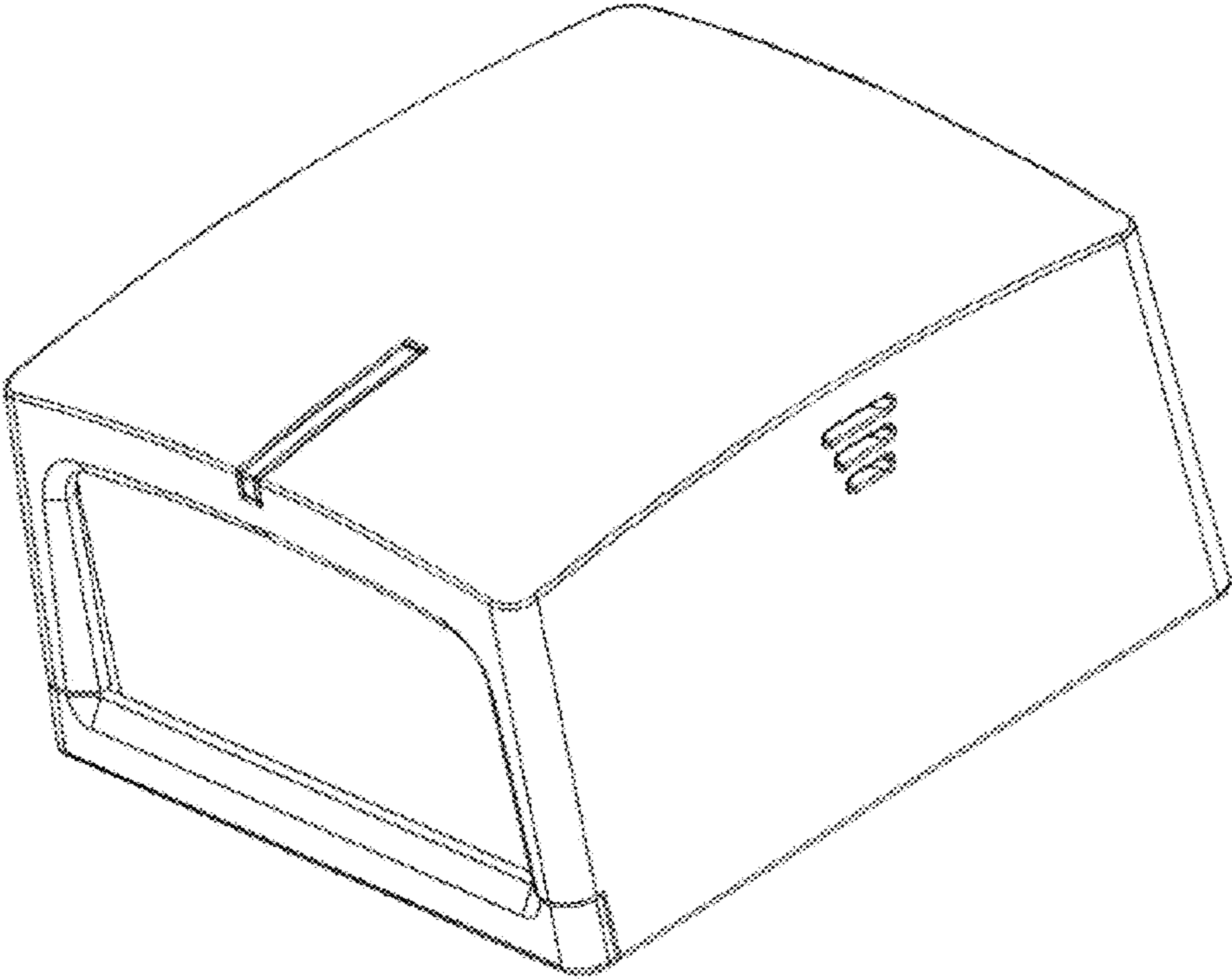


Figure 7