



US00D802592S

(12) **United States Design Patent**
Varghese et al.

(10) **Patent No.:** **US D802,592 S**

(45) **Date of Patent:** **** Nov. 14, 2017**

(54) **STYLUS**

(71) Applicant: **Google Inc.**, Mountain View, CA (US)

(72) Inventors: **Sujit Varghese**, New York, NY (US);
Jonathan Rowell, New York, NY (US);
Carl Johan Liden, New York, NY
(US); **Brett Tom**, Richmond, CA (US);
Nicholas Burrows, Brooklyn, NY (US);
Eric Call, New York, NY (US)

(73) Assignee: **Google Inc.**, Mountain View, CA (US)

(**) Term: **15 Years**

(21) Appl. No.: **29/594,438**

(22) Filed: **Feb. 17, 2017**

(51) **LOC (10) Cl.** **14-02**

(52) **U.S. Cl.**
USPC **D14/411**

(58) **Field of Classification Search**
USPC D14/372, 496, 432, 371, 125, 126, 129,
D14/299, 411; D16/300-342; 351/158,
351/153, 144; 345/7-9, 905; 455/344;
348/115, 53, 121, 739

CPC G02B 27/017; G06F 3/016; G06F 3/033;
G06F 3/0317; G06F 3/03545; G06F
3/041; G06K 9/222

See application file for complete search history.

(56) **References Cited**

U.S. PATENT DOCUMENTS

D695,741 S * 12/2013 Wang D14/411
D709,886 S * 7/2014 Lin D14/411

D709,887 S * 7/2014 Yagi D14/411
D715,298 S * 10/2014 Hong D14/411
D725,114 S * 3/2015 Roskopp D14/411
D754,129 S * 4/2016 Kao D14/411
D773,462 S * 12/2016 Mitchell D14/411
D783,617 S * 4/2017 Chrenka D14/411
D784,336 S * 4/2017 Nishizawa D14/411
D784,993 S * 4/2017 Shih D14/411
D785,625 S * 5/2017 Shih D14/411

OTHER PUBLICATIONS

Cisco Spark, <http://talkingpointz.com/wp-content/uploads/2016/12/CiscoMark.jpg>, date Jan 24, 2017.

Varghese, TJ, Google Blog, The Keyword, Jamboard—the whiteboard, reimaged for collaboration in the cloud, <https://blog.google/products/g-suite/jamboard-whiteboard-reimagined-collaboration-cloud>, date Oct. 25, 2016.

* cited by examiner

Primary Examiner — Austin Murphy

(74) *Attorney, Agent, or Firm* — Finnegan, Henderson, Farabow, Garrett & Dunner, L.L.P.

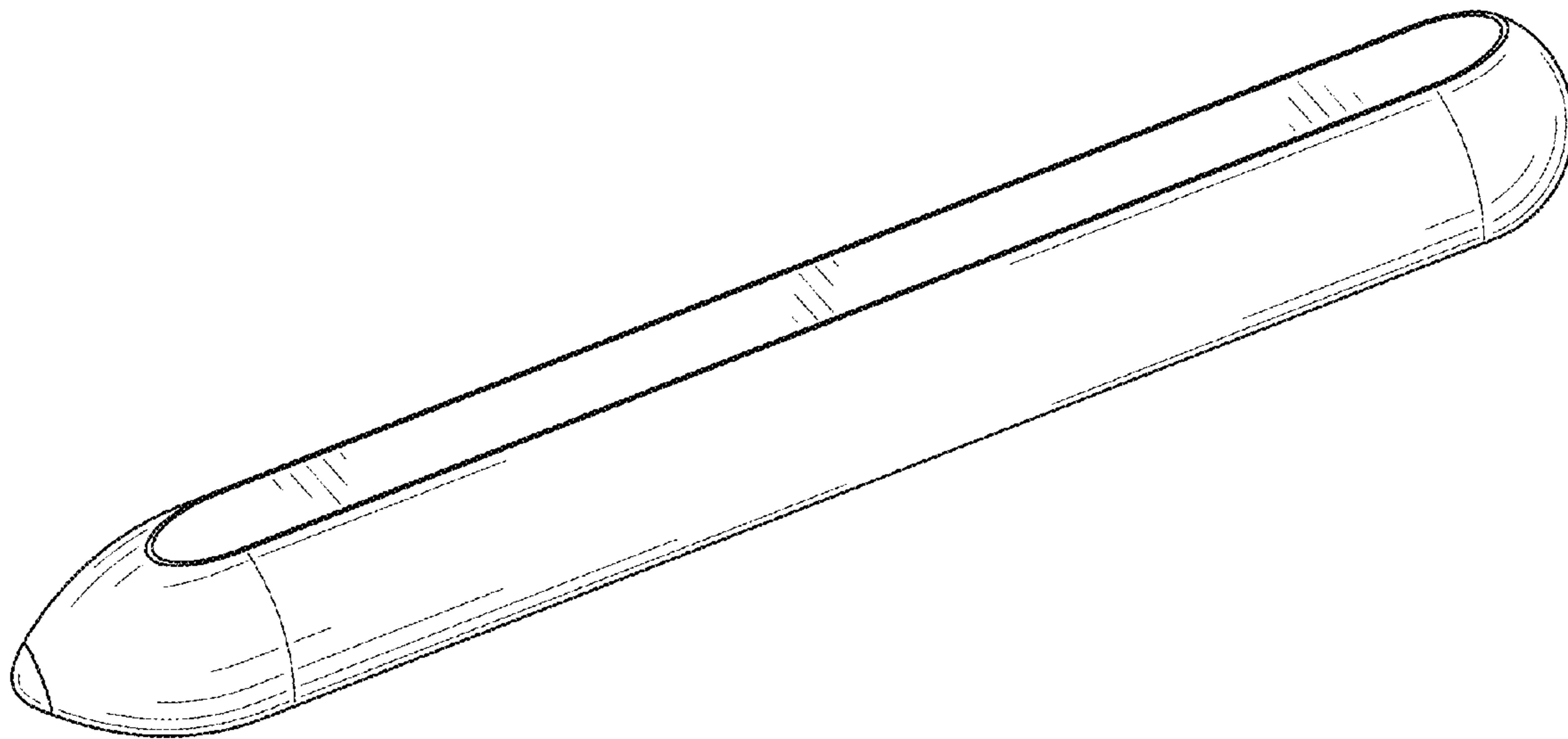
(57) **CLAIM**

The ornamental design for a stylus, as shown and described herein.

DESCRIPTION

FIG. 1 is a bottom, left, front perspective view of a stylus; FIG. 2 is a front view thereof; FIG. 3 is a rear view thereof; FIG. 4 is a right side view thereof; FIG. 5 is a left side view thereof; FIG. 6 is a top view thereof; and, FIG. 7 is a bottom view thereof.

1 Claim, 3 Drawing Sheets



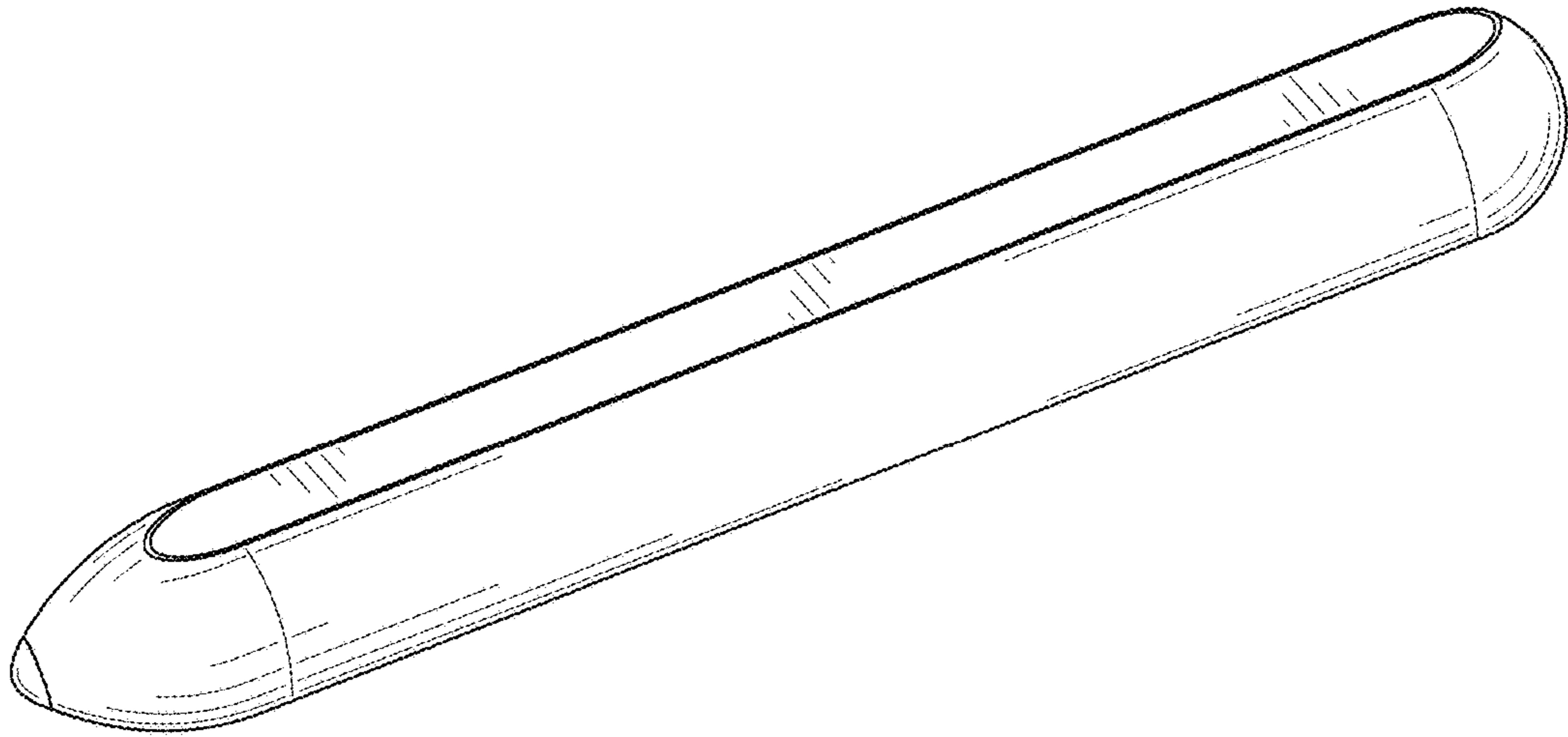


FIG. 1

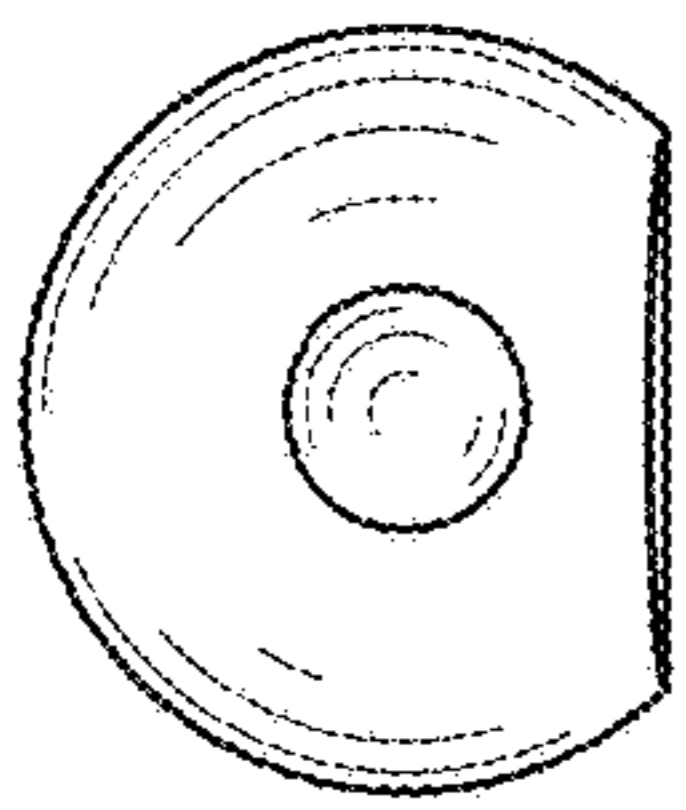


FIG. 2

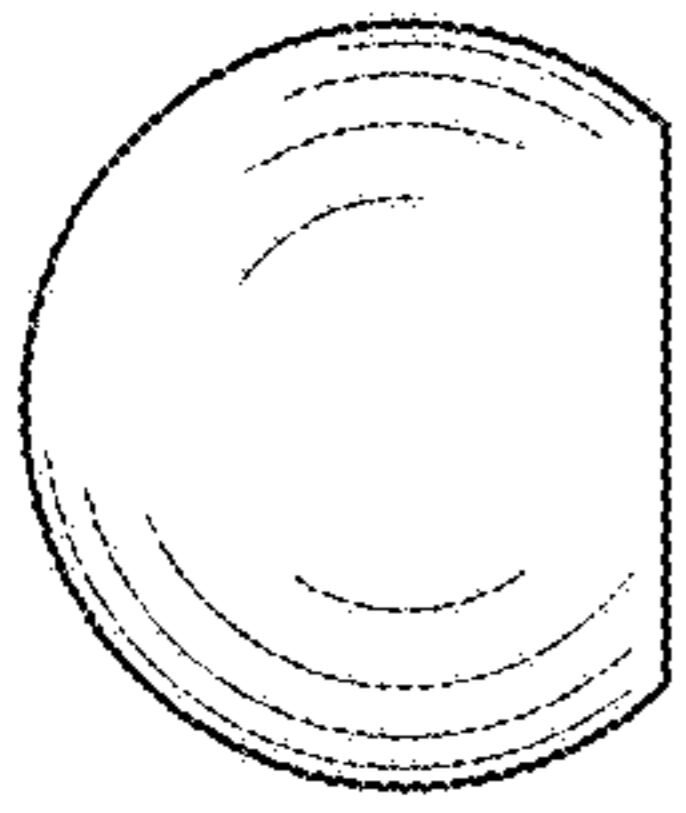


FIG. 3

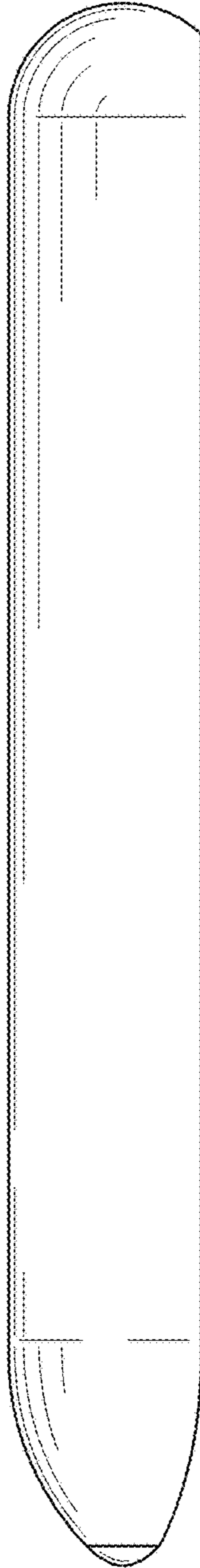


FIG. 4

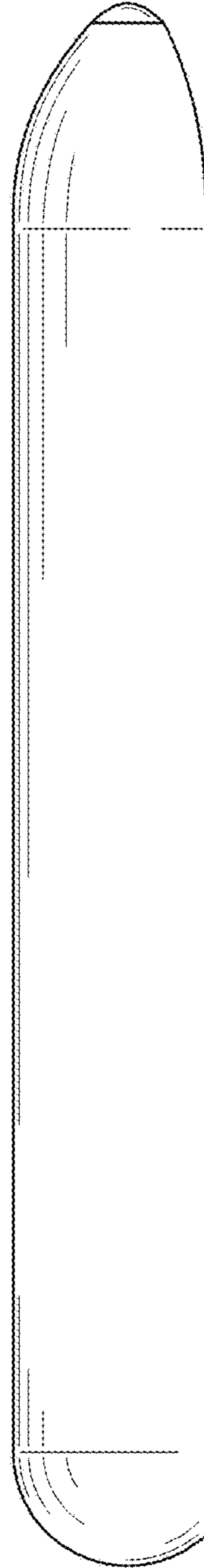


FIG. 5

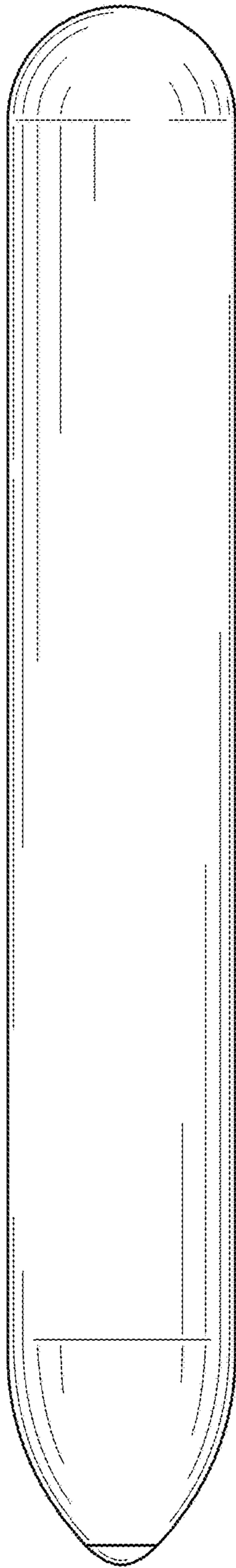


FIG. 6

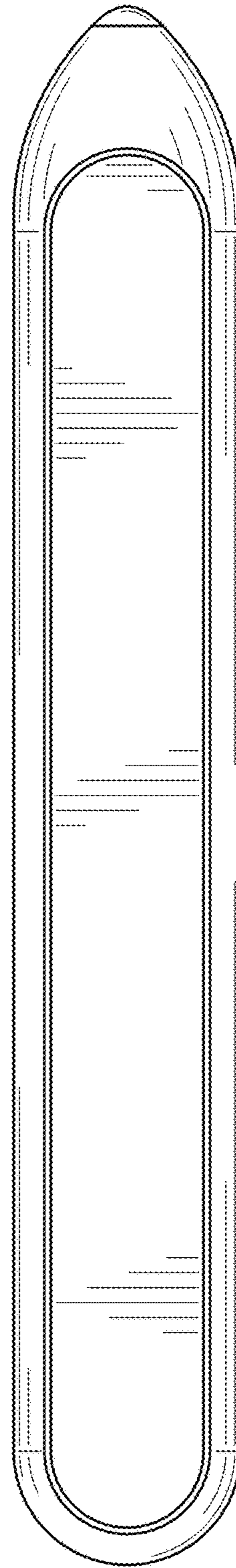


FIG. 7