



US00D802589S

(12) **United States Design Patent** (10) **Patent No.:** **US D802,589 S**
Fisher (45) **Date of Patent:** **** Nov. 14, 2017**

(54) **DISC-SHAPED TAG FOR USE IN A WIRELESS TRACKING SYSTEM**

(71) Applicant: **Wiser Systems, Inc.**, Raleigh, NC (US)

(72) Inventor: **Scott Fisher**, Raleigh, NC (US)

(73) Assignee: **Wiser Systems, Inc.**, Raleigh, NC (US)

(**) Term: **15 Years**

(21) Appl. No.: **29/562,113**

(22) Filed: **Apr. 22, 2016**

(51) **LOC (10) Cl.** **14-02**

(52) **U.S. Cl.**
USPC **D14/358**; D14/218

(58) **Field of Classification Search**
USPC D14/137, 138, 139, 140, 174, 217-218, D14/240, 247, 388, 389, 390, 396, 511, D14/358; D13/162, 163, 164, 168; D21/516, 517; D3/225, 229, 230
CPC G08C 17/02; G08C 19/12; G08C 23/04
See application file for complete search history.

(56) **References Cited**

U.S. PATENT DOCUMENTS

D253,786 S *	12/1979	Montague	273/454
D292,283 S *	10/1987	Matsuda	D14/212
D346,598 S *	5/1994	McCay	D14/137
D433,994 S *	11/2000	Jobs	D13/110
D456,692 S *	5/2002	Epstein	D8/356
D467,892 S *	12/2002	Lewis	D14/203.6
D494,633 S *	8/2004	Nussberger	D21/324
D503,701 S *	4/2005	Suzuki	D14/511
D512,060 S *	11/2005	Wang	D14/480.1
D533,799 S *	12/2006	Thalhammer	D10/106.1
D546,812 S *	7/2007	Hirose	D14/511
D568,304 S *	5/2008	Park	D14/240
D597,514 S *	8/2009	Gencarella	D14/138 AC
D606,593 S *	12/2009	Wilm	D21/324

D632,599 S *	2/2011	Tupinier	D10/104.1
D643,412 S *	8/2011	Brady	D14/218
D654,031 S *	2/2012	Seki	D13/168
D656,103 S *	3/2012	Seki	D13/168
D656,980 S *	4/2012	Liao	D14/217
D680,541 S *	4/2013	Lee	D14/217
D685,790 S *	7/2013	Tang	D14/218
D698,755 S *	2/2014	Miyawaki	D14/216
D698,765 S *	2/2014	Bremaud	D14/231
D704,177 S *	5/2014	Chun	D14/240

(Continued)

OTHER PUBLICATIONS

https://images.indiegogo.com/file_attachments/716786/files/20140714120511-accessory_indiegogo.png?1405364711—Retrieved Apr. 10, 2017.*

(Continued)

Primary Examiner — Manpreet Matharu
Assistant Examiner — Mojtaba Tehrani
(74) *Attorney, Agent, or Firm* — Ward and Smith, P.A.

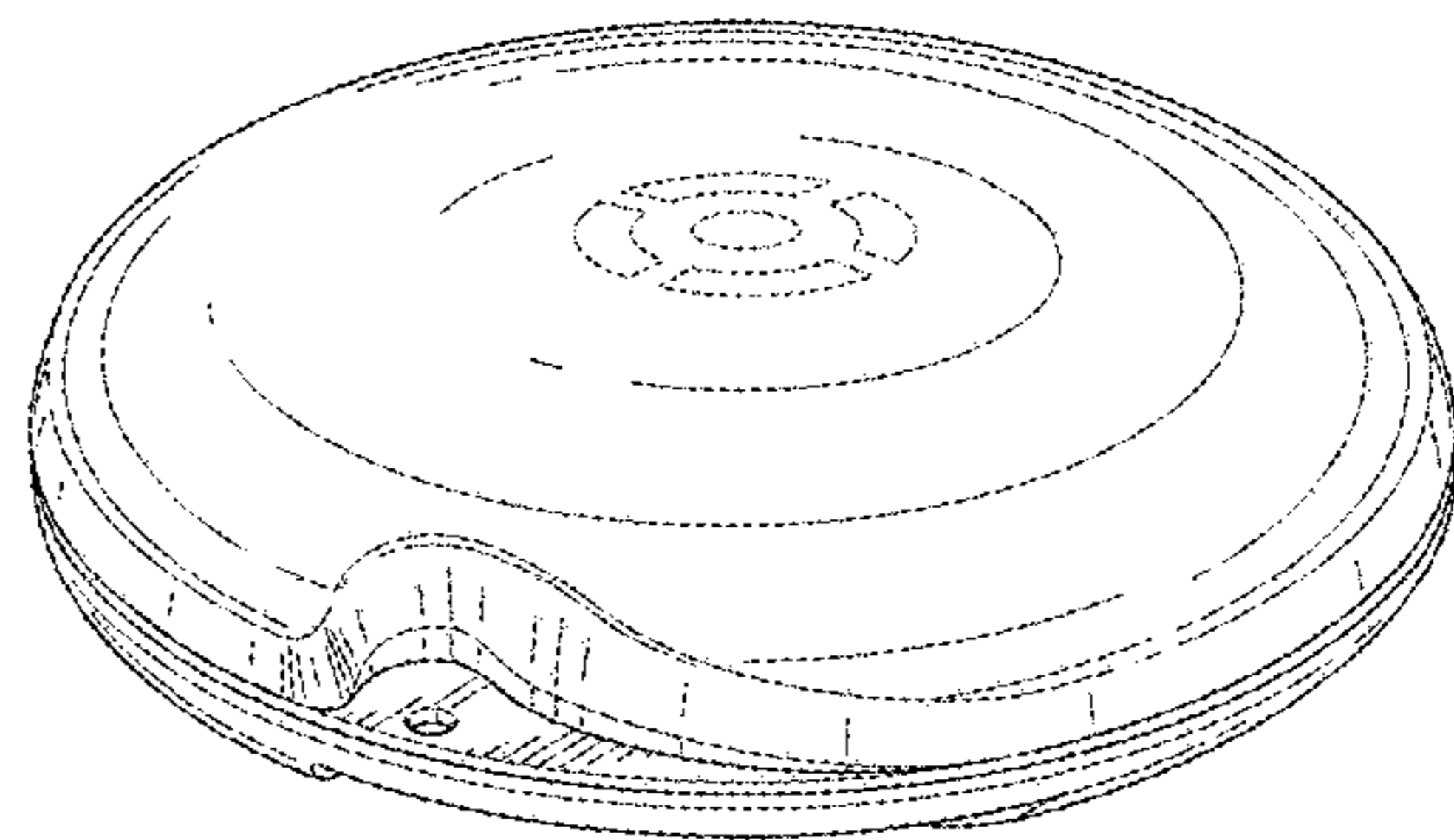
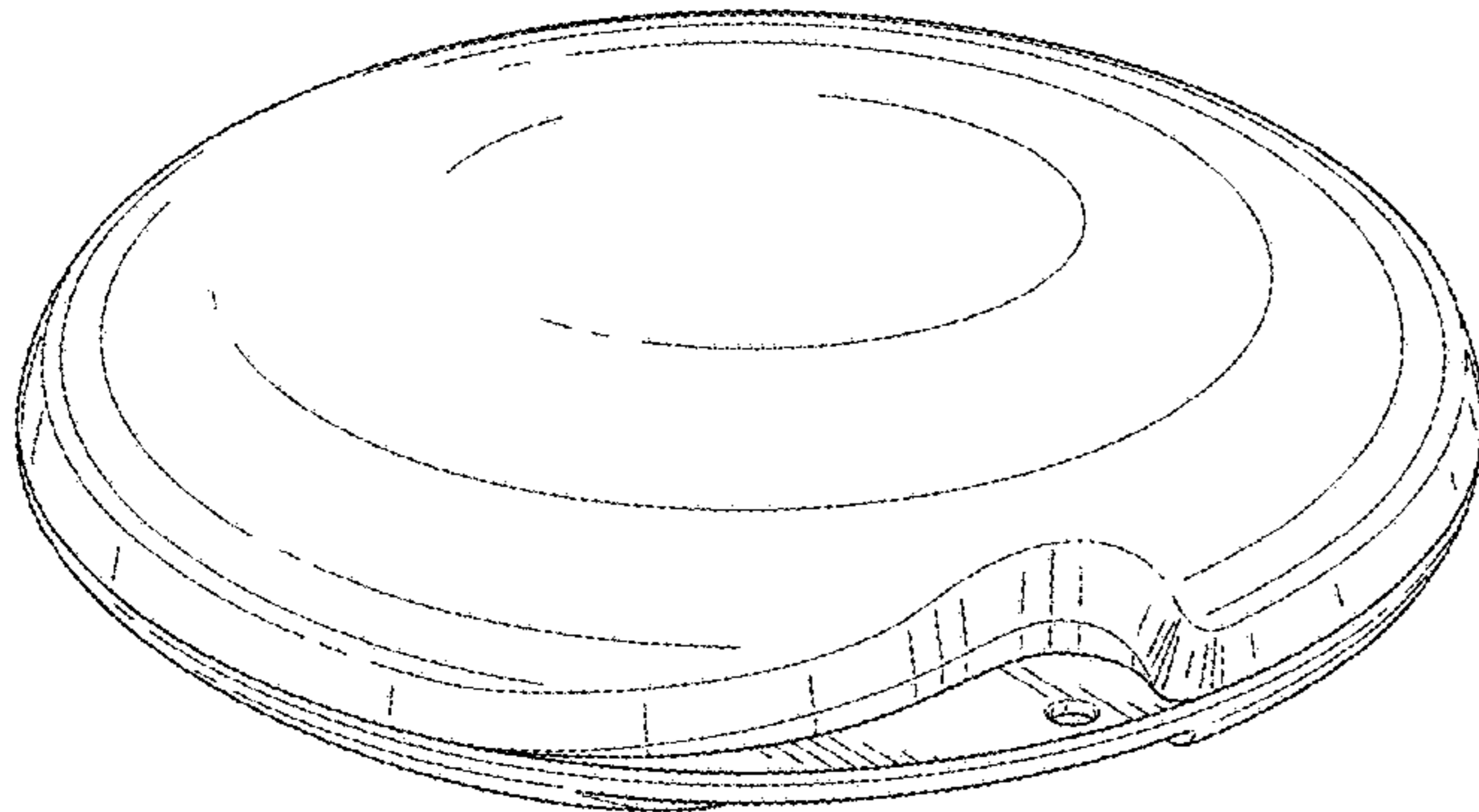
(57) **CLAIM**

The ornamental design for a disc-shaped tag for use in a wireless tracking system, as shown and described.

DESCRIPTION

FIG. 1 is a front perspective view of the disc-shaped tag showing my design;
FIG. 2 is a first side view thereof;
FIG. 3 is an opposing side view of FIG. 2;
FIG. 4 is a second side view thereof;
FIG. 5 is an opposing side view of FIG. 4;
FIG. 6 is a top view of the tag;
FIG. 7 is a bottom view of the tag; and,
FIG. 8 is a bottom perspective view of the disc-shaped tag.
The broken line in the figure drawings represents unclaimed environment only and forms no part of the claimed design.

1 Claim, 6 Drawing Sheets



(56)

References Cited

U.S. PATENT DOCUMENTS

D704,178 S *	5/2014	Kwak	D14/240
D711,345 S *	8/2014	Liu	D14/140
D725,088 S *	3/2015	Kwak	D14/240
D746,165 S *	12/2015	Li	D10/104.1
D746,166 S *	12/2015	Li	D10/104.1
D751,538 S *	3/2016	Koehler	D14/240
D756,955 S *	5/2016	Wagner	D14/203.6
D759,257 S *	6/2016	Chen	D24/200
D768,114 S *	10/2016	Hou	D13/168
D770,430 S *	11/2016	Lee	D14/240
D772,813 S *	11/2016	Wahl	D13/108

OTHER PUBLICATIONS

<https://www.wisersystems.com/productsbuy/>—Retrieved Apr. 10, 2017.*

* cited by examiner

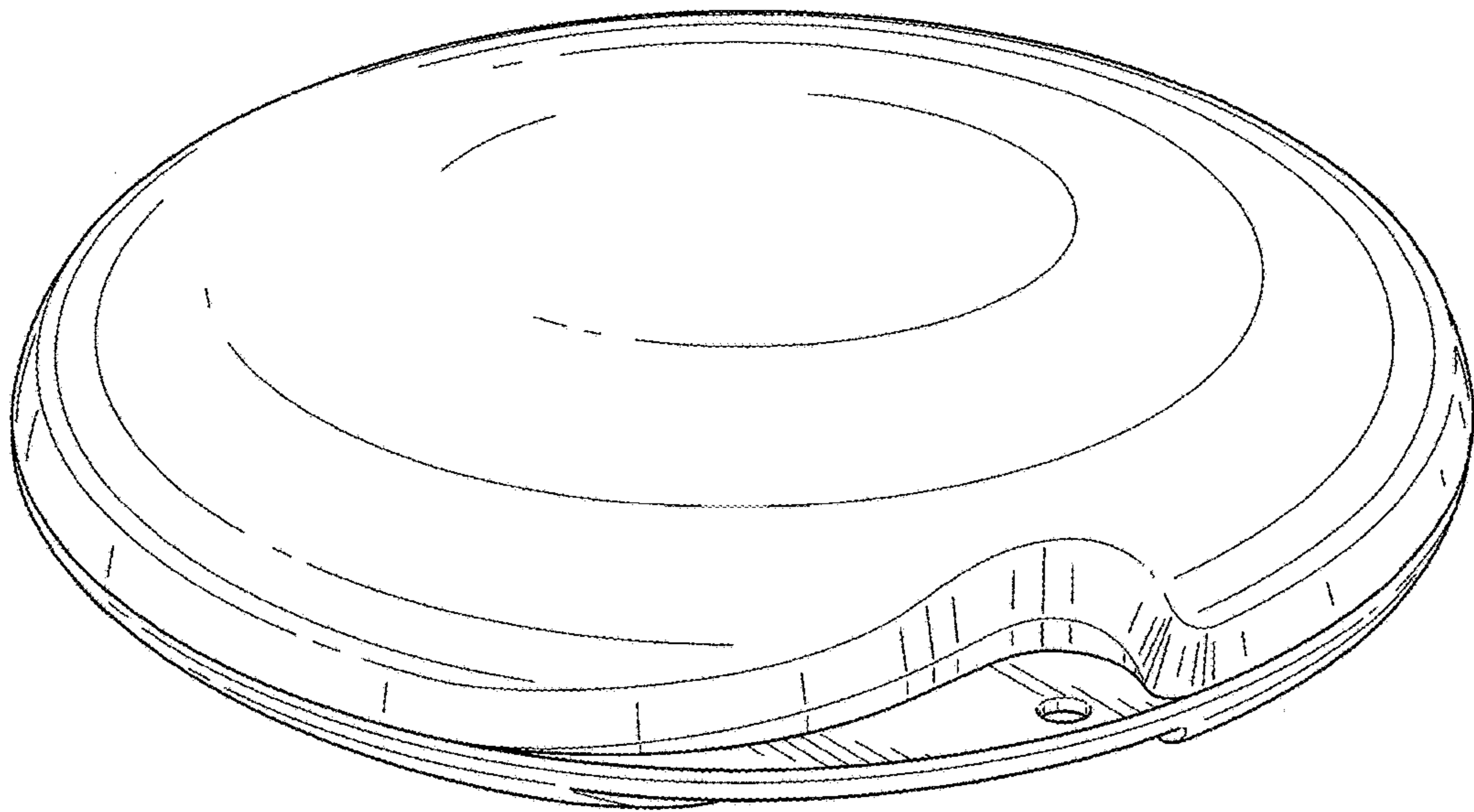


FIG. 1

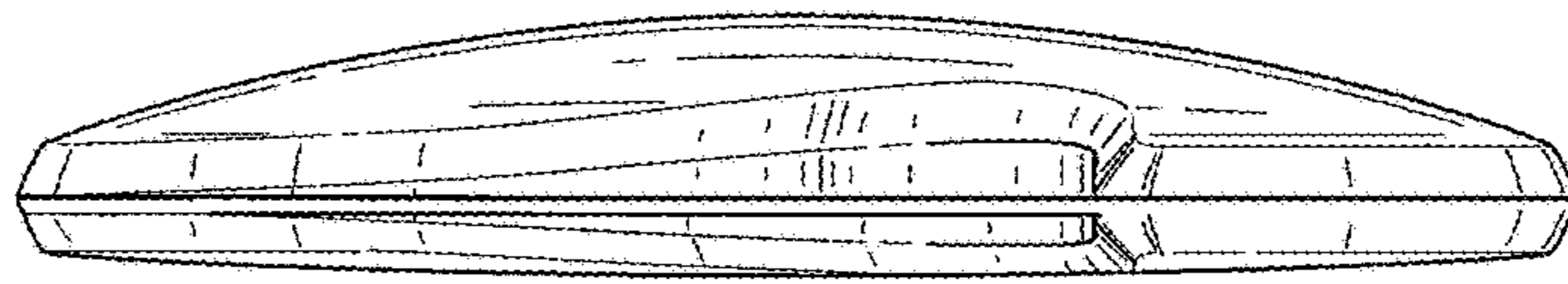


FIG. 2

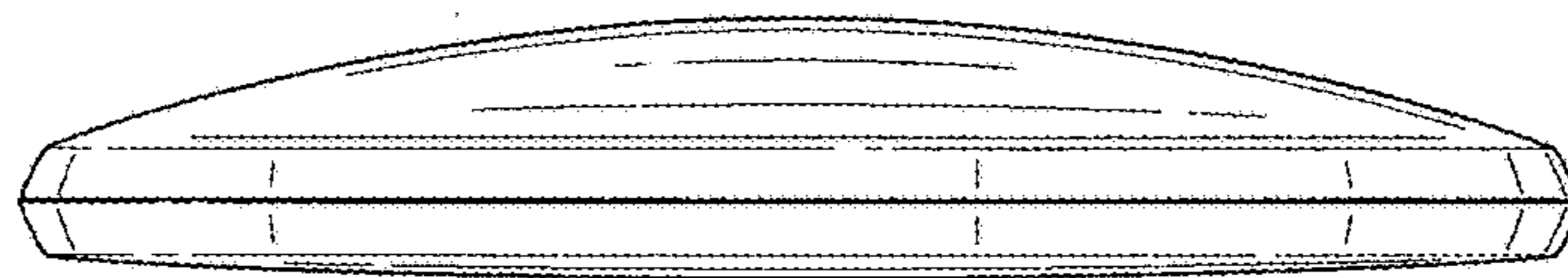


FIG. 3

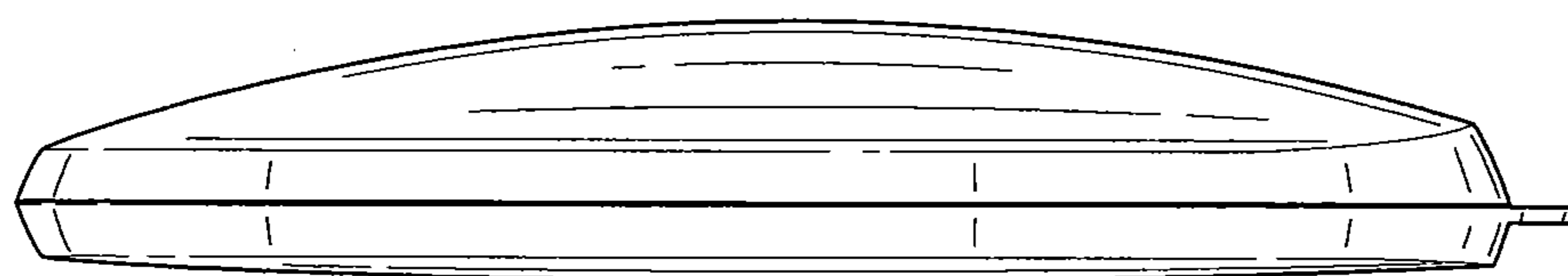


FIG. 4

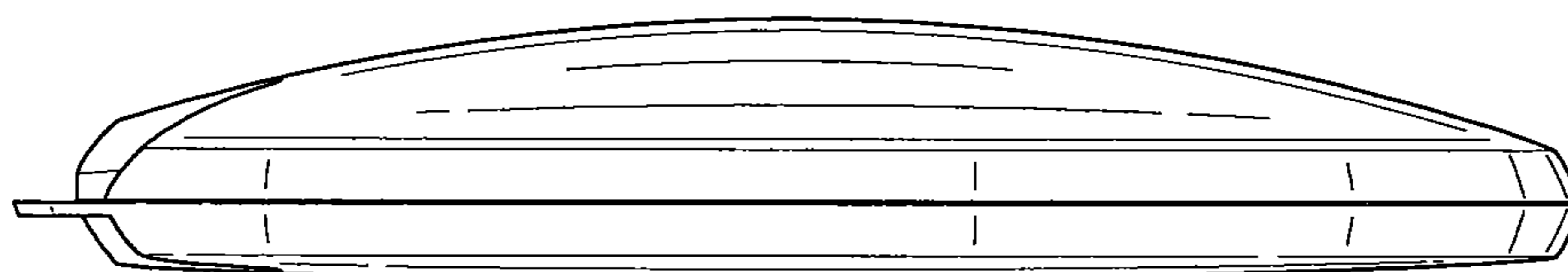


FIG. 5

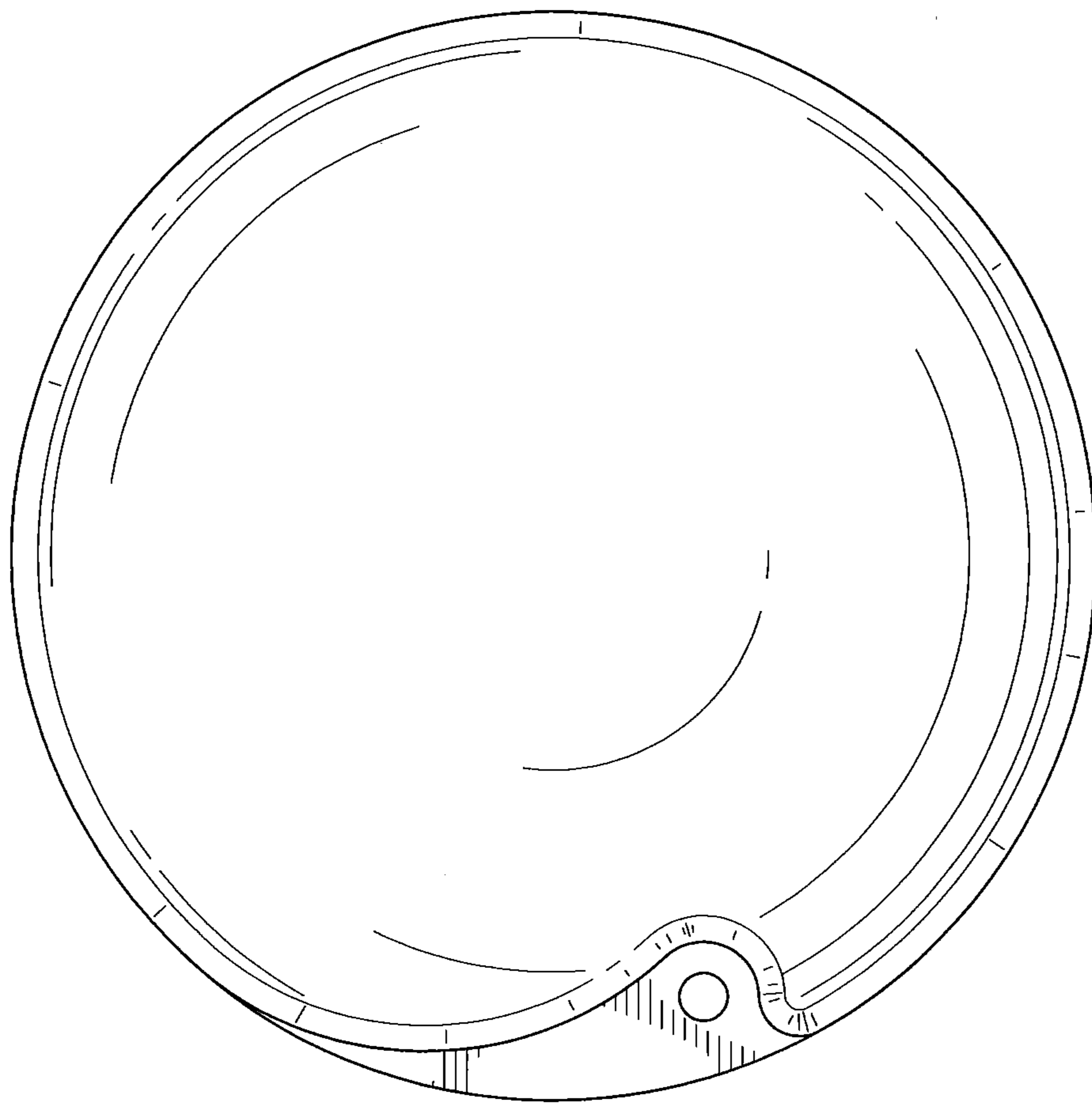


FIG. 6

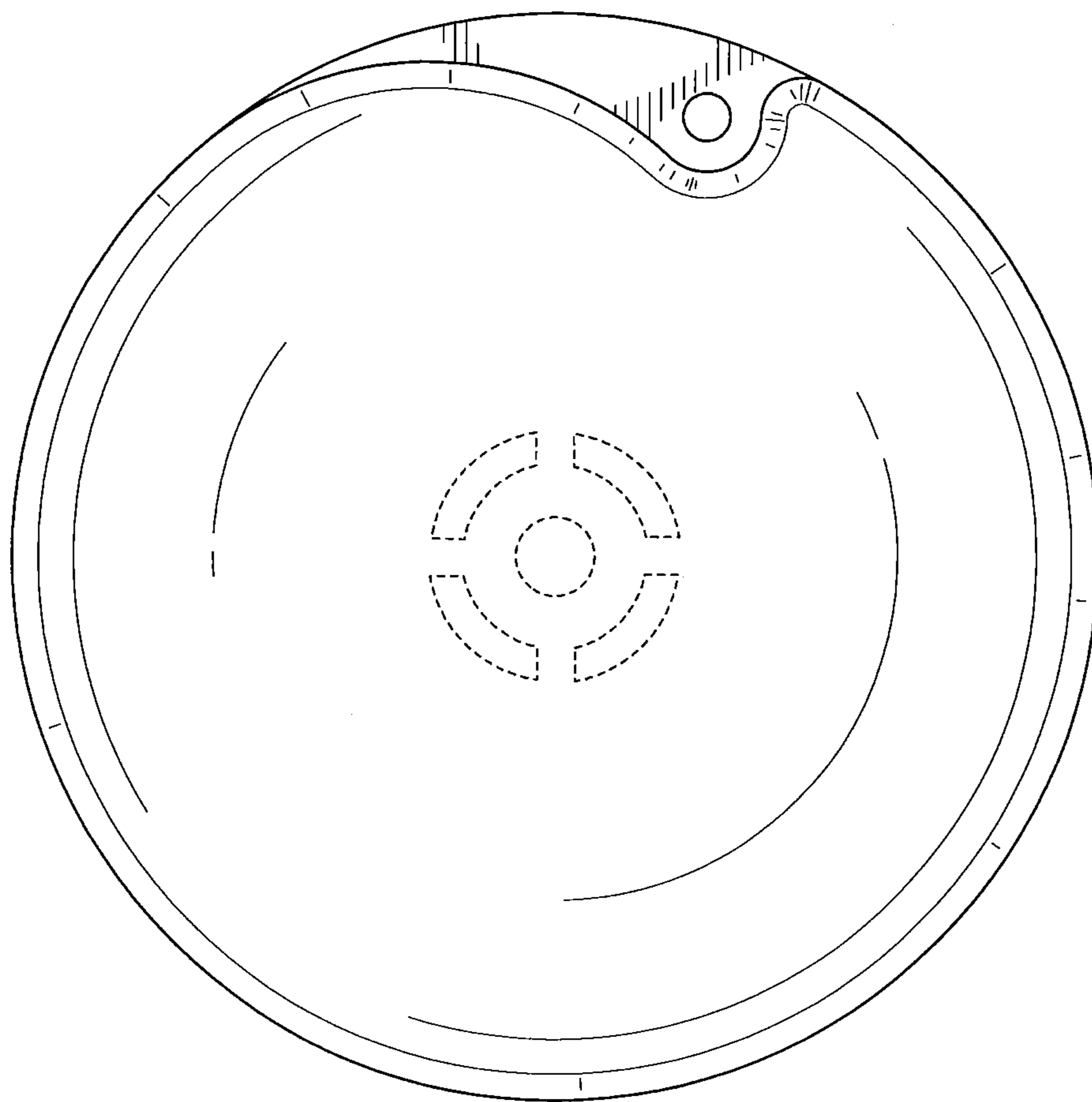


FIG. 7

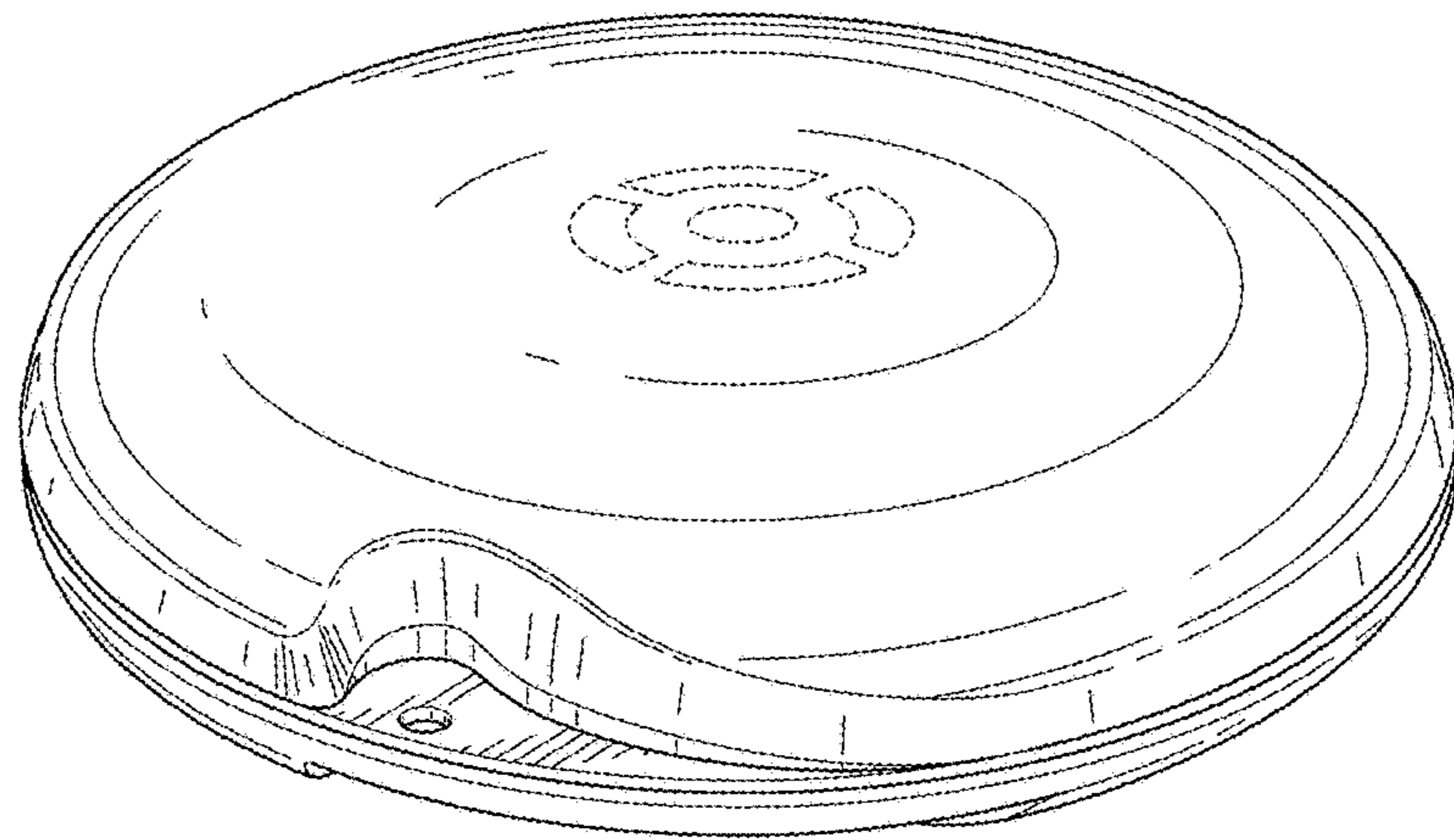


FIG. 8