



US00D802587S

(12) **United States Design Patent** (10) **Patent No.:** **US D802,587 S**  
**Lee et al.** (45) **Date of Patent:** **\*\* Nov. 14, 2017**

(54) **MULTIMEDIA TERMINAL**  
(71) Applicants: **TG & Co. Inc.**, Gyeonggi-do (KR);  
**Hong Sun Lee**, Seoul (KR)  
(72) Inventors: **Hong Sun Lee**, Seoul (KR); **Sang Soo Lee**, Gyeonggi-do (KR); **Jung Yong Lee**, Seoul (KR)  
(73) Assignees: **TG & Co. Inc.**, Gyeonggi-do (KR);  
**Hong Sun Lee**, Seoul (KR)

(\*\*) Term: **15 Years**  
(21) Appl. No.: **29/563,078**  
(22) Filed: **May 2, 2016**

(30) **Foreign Application Priority Data**  
Dec. 31, 2015 (KR) ..... 30-2015-0067520  
(51) **LOC (10) Cl.** ..... **14-02**  
(52) **U.S. Cl.**  
USPC ..... **D14/344**; D10/30; D14/138 R  
(58) **Field of Classification Search**  
USPC ..... D14/344, 138 R, 144, 358; D24/167,  
D24/169, 186-187; D11/3, 93-94;  
D10/30-39, 70, 98; 379/433.1;  
361/679.03  
CPC ..... G06F 1/163; G06F 1/1628; G06F 1/1626;  
G06F 1/1635; G06F 1/08; G06F 1/10;  
G06F 1/04; G06F 1/14; G06F 1/3203;  
A41D 1/002; H04M 1/02; H04M 1/03;  
H04M 1/04; H04M 1/05; H04M 1/667;  
H04M 1/6058; Y02B 60/12; H04B 1/385;  
H04B 1/3888; H04B 1/3833; G06Q  
20/10; G06Q 20/108; G06Q 20/12; G06Q  
20/145  
See application file for complete search history.

(56) **References Cited**  
U.S. PATENT DOCUMENTS  
D80,307 S \* 1/1930 Conant ..... D10/38  
3,032,651 A \* 5/1962 Gisiger-Stahli ..... G04B 47/00  
368/10

D263,452 S \* 3/1982 Wada ..... D10/38  
D265,799 S \* 8/1982 Suzuki ..... D10/39  
D584,170 S \* 1/2009 Morrison ..... D10/32  
D636,687 S \* 4/2011 Morrison ..... D10/39  
D720,074 S \* 12/2014 Suvilaakso ..... D24/167  
D724,047 S \* 3/2015 Kim ..... D10/38  
D725,073 S \* 3/2015 Ji ..... D10/38  
D759,622 S \* 6/2016 Dahlberg ..... D10/32  
D760,717 S \* 7/2016 Solomon ..... D14/344  
(Continued)

**OTHER PUBLICATIONS**

Asus ZenWatch (WI500Q) Android Wear Smart Watch, posted Jan. 13, 2015, [retrieved Jun. 24, 2017]. Retrieved from Internet, <URL: <https://www.amazon.co.uk/ASUS-ZenWatch-WI500Q-Android-Smart/dp/B00SLLHRK6> >.\*  
(Continued)

*Primary Examiner* — Barbara Fox  
*Assistant Examiner* — Kristin E Reed  
(74) *Attorney, Agent, or Firm* — Grossman Tucker  
Perreault & Pleger, PLLC

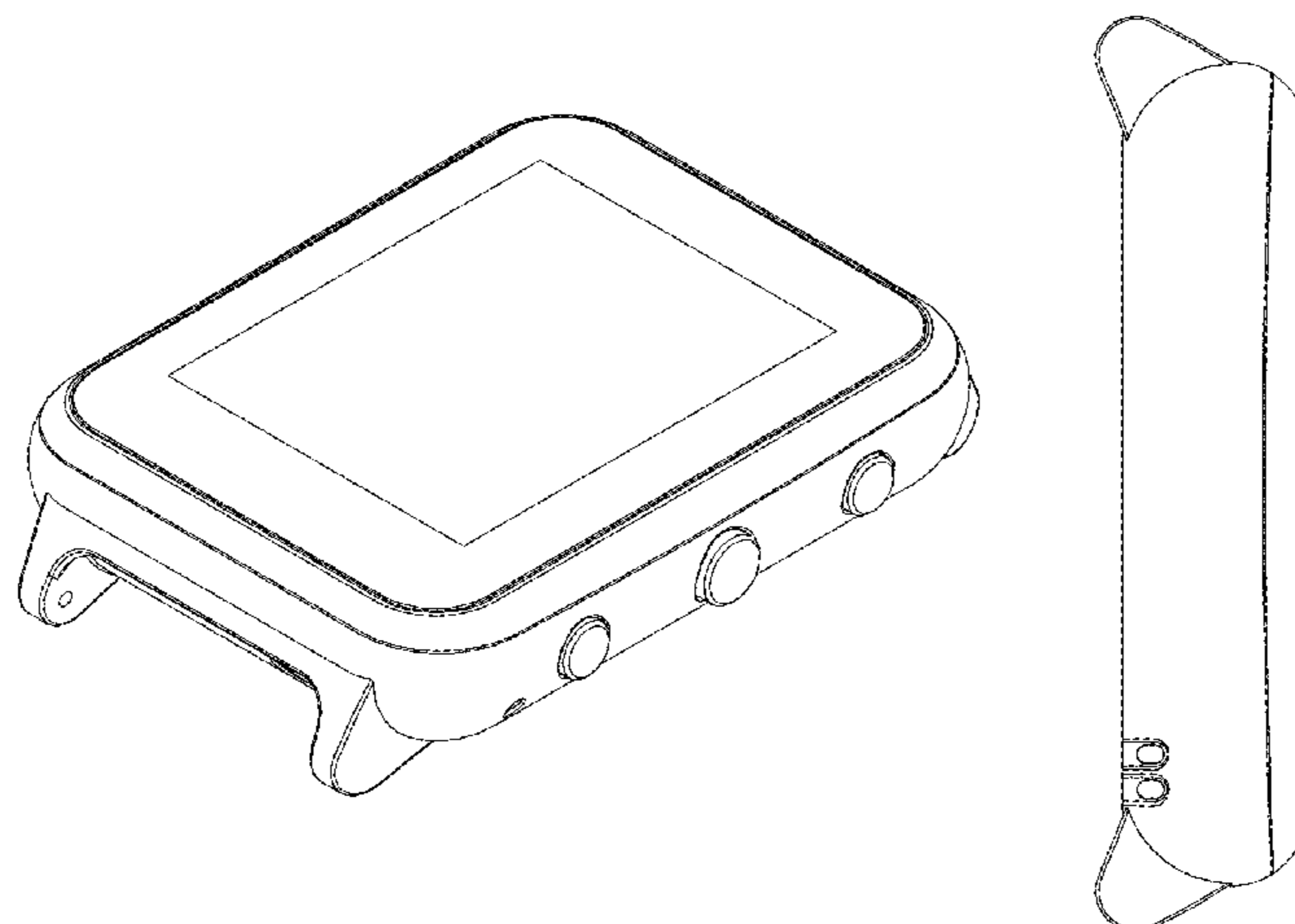
(57) **CLAIM**

The ornamental design for a multimedia terminal, as shown and described.

**DESCRIPTION**

FIG. 1 is a front perspective view of a multimedia terminal showing our new design.  
FIG. 2 is a front view thereof.  
FIG. 3 is a rear view thereof.  
FIG. 4 is a left side view thereof.  
FIG. 5 is a right side view thereof.  
FIG. 6 is a top plan view thereof.  
FIG. 7 is a bottom plan view thereof; and,  
FIG. 8 is a bottom perspective view thereof.

**1 Claim, 8 Drawing Sheets**



(56)

**References Cited**

U.S. PATENT DOCUMENTS

D763,107 S \* 8/2016 Nielsen ..... D10/30  
D771,035 S \* 11/2016 Akana ..... D14/344  
D784,325 S \* 4/2017 Kim ..... D14/341

OTHER PUBLICATIONS

InDigi Universal Bluetooth SmartWatch for Apple iOS Samsung Android Nokia Windows Phone, posted Dec. 18, 2014, [retrieved Jun. 24, 2017]. Retrieved from Internet, <URL: <https://www.amazon.com/gp/product/B00NKEQ8QI/?tag=sw-shop-20> >.\*

FlyShark Smartwatch—Everything at the Touch of Your Wrist, posted Feb. 22, 2015, [retrieved Jun. 24, 2017]. Retrieved from Internet, <URL: <https://www.kickstarter.com/projects/ilepo360-keyboard/flyshark-smartwatch-everything-at-the-touch-of-you/updates> >.\*

Astra Esa smartwatch, a wrist-mounted watch/smartphone/display for those on the move, posted Apr. 22, 2015, [retrieved Jun. 24, 2017]. Retrieved from Internet, <URL: <http://www.yachtingworld.com/yachts-and-gear/astra-esa-smartwatch-63429> >.\*

\* cited by examiner

FIG. 1

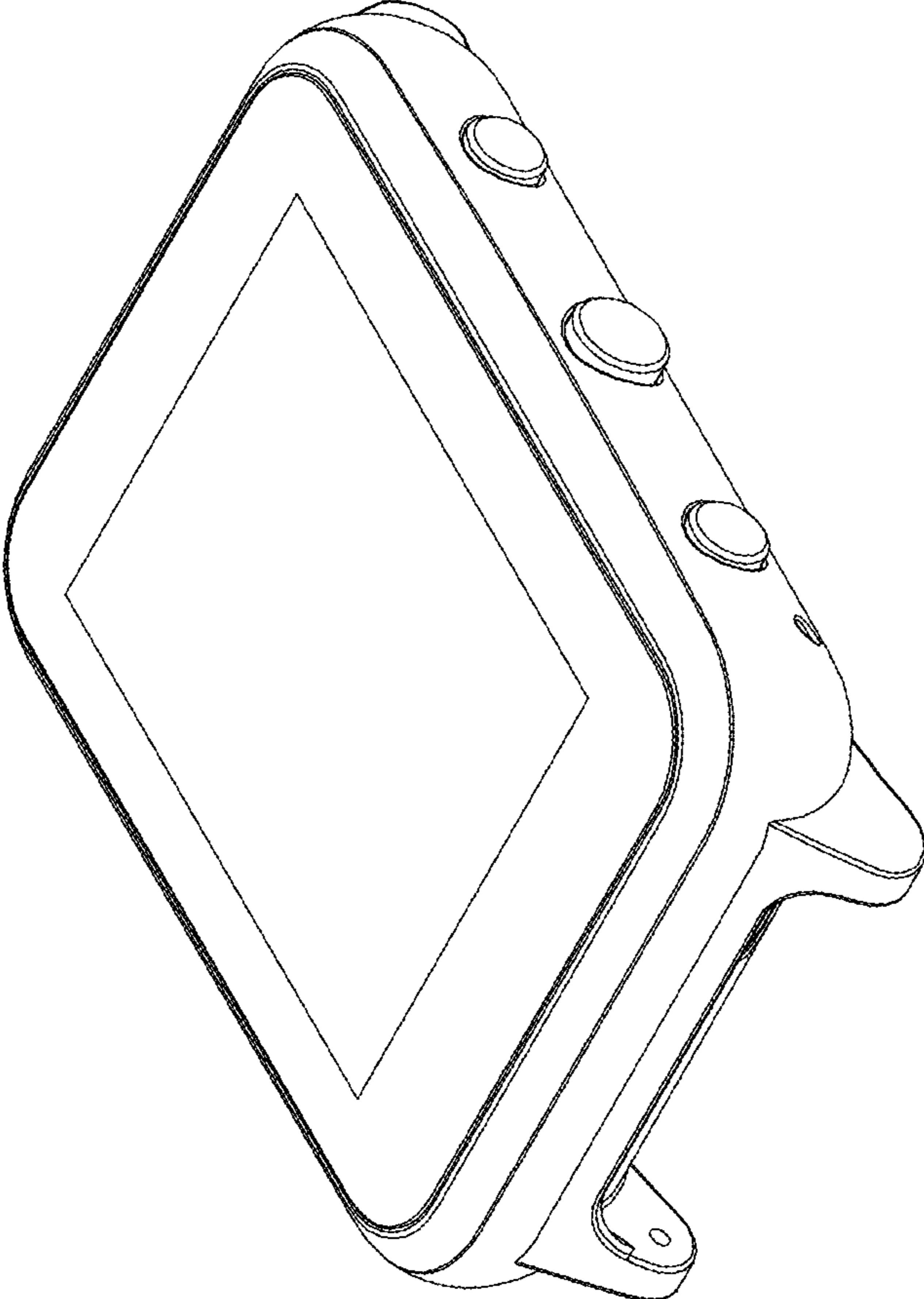


FIG. 2

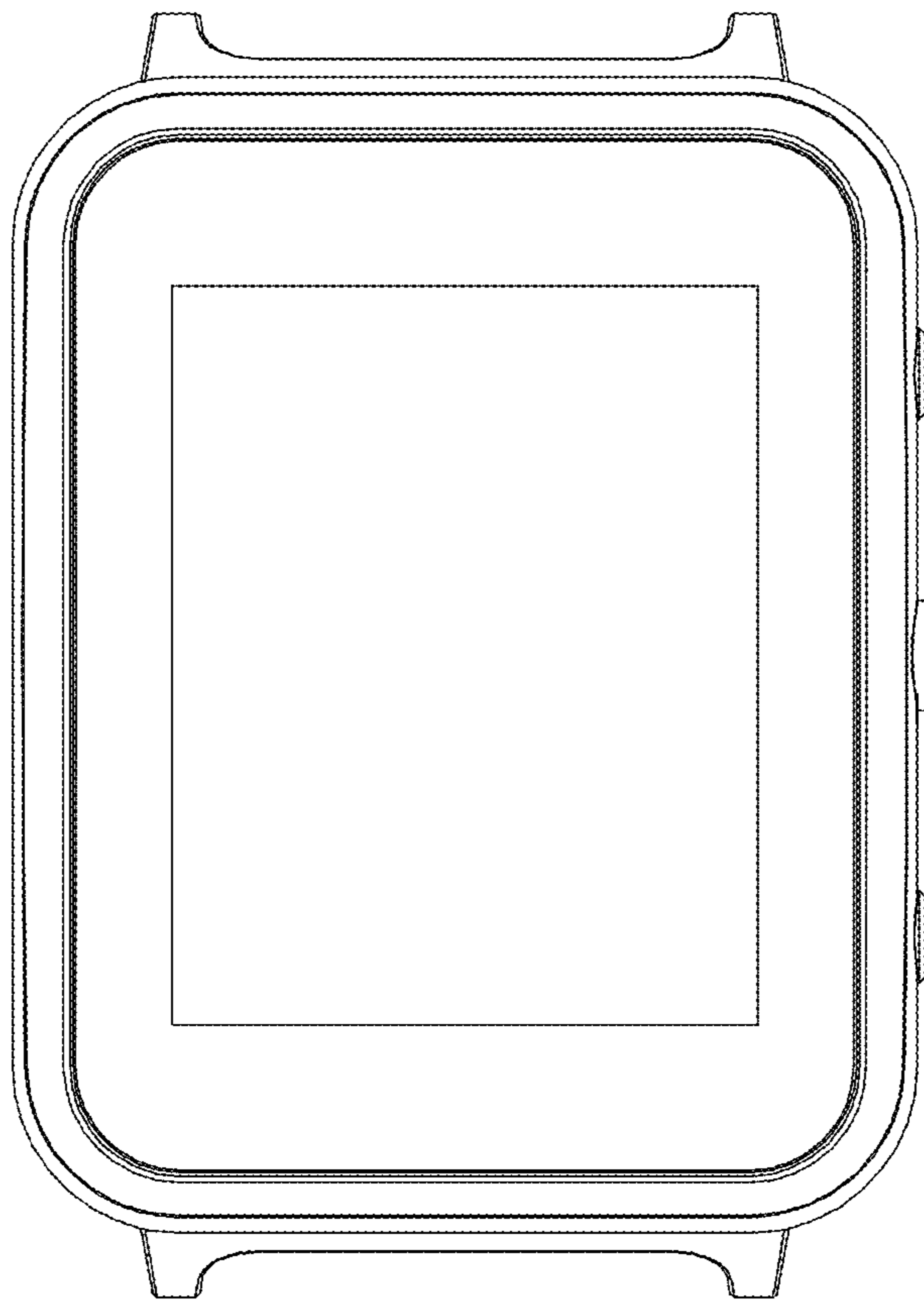


FIG. 3

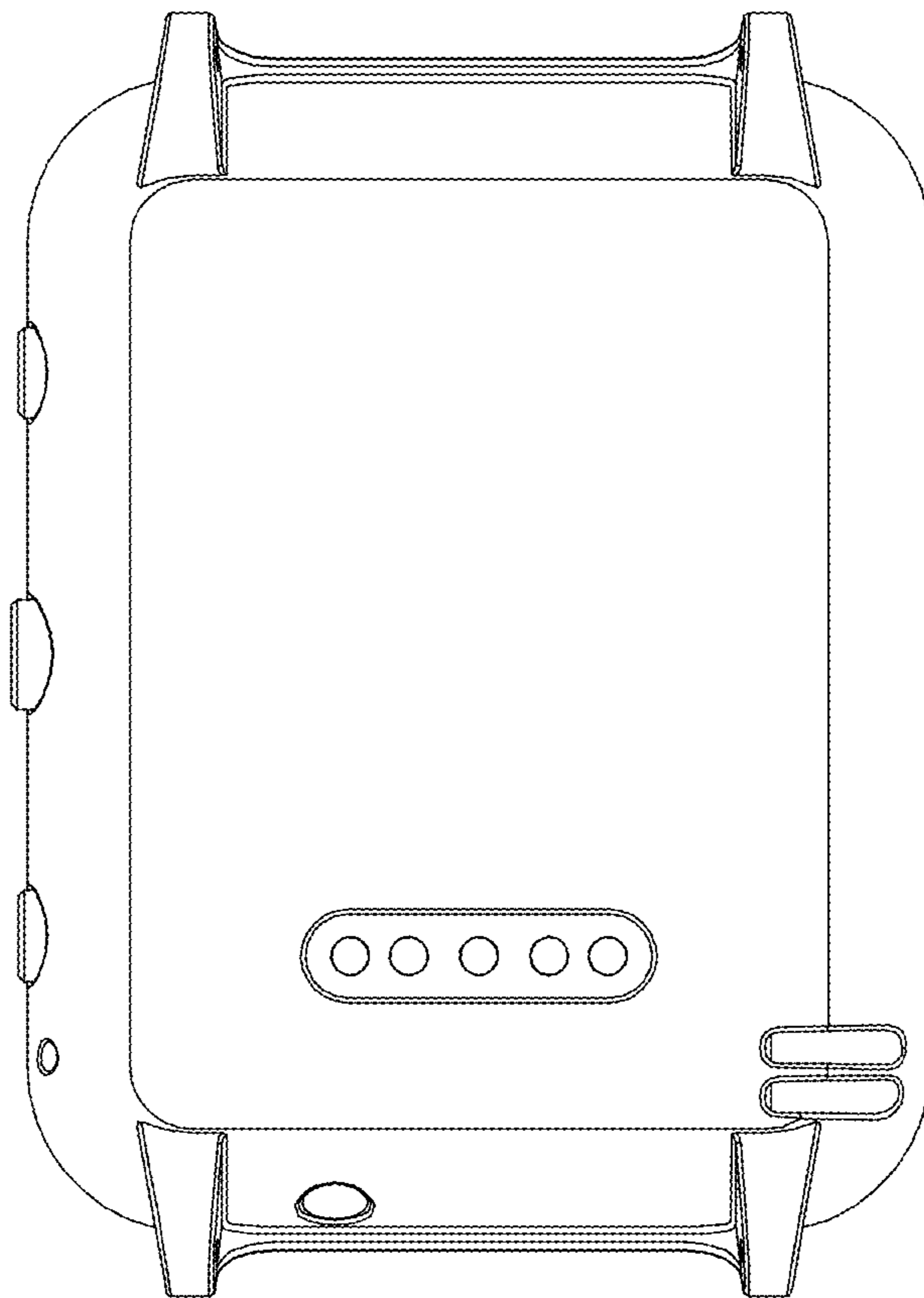


FIG. 4

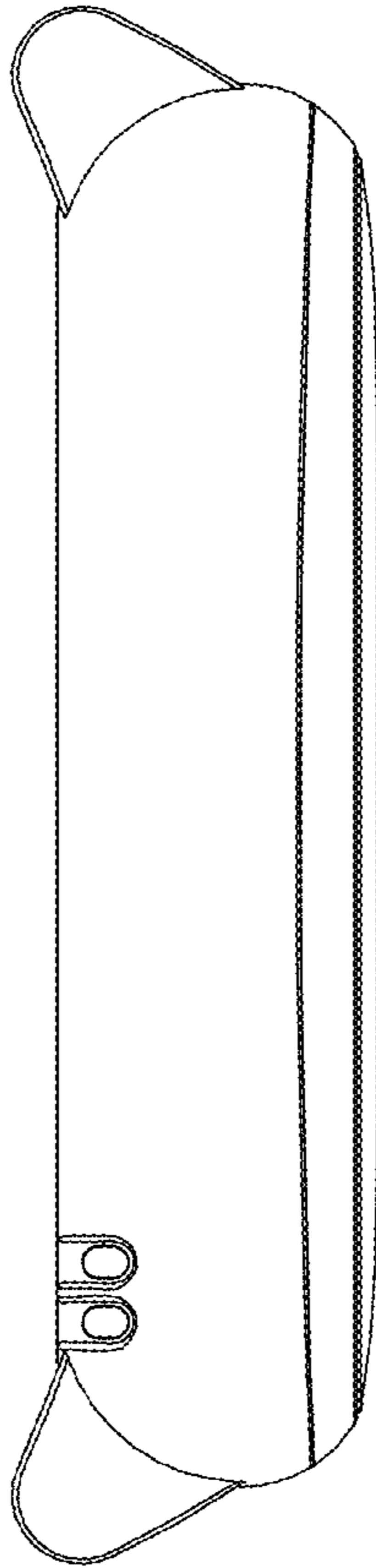


FIG. 5

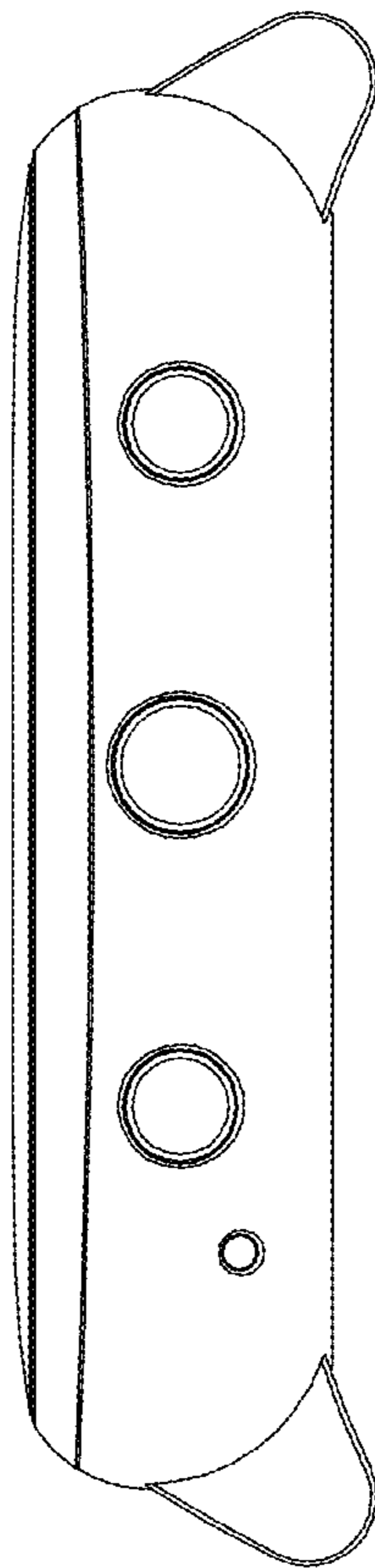




FIG. 6

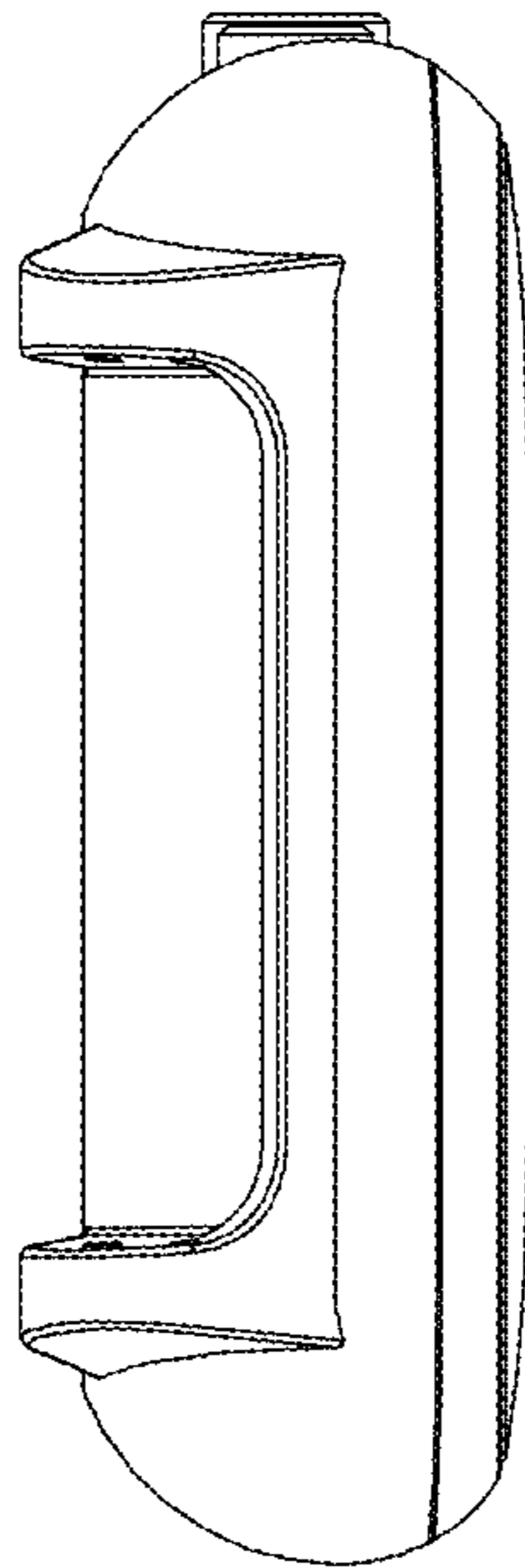




FIG. 7

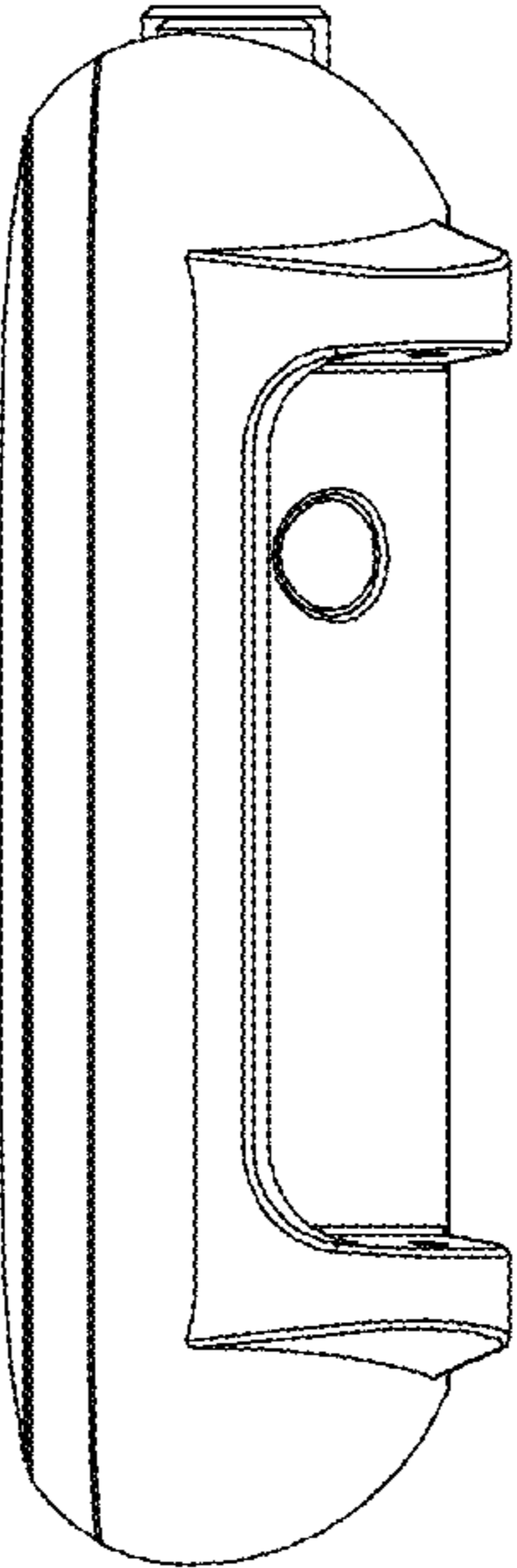


FIG. 8

