



US00D802584S

(12) **United States Design Patent** (10) **Patent No.:** **US D802,584 S**
Kong (45) **Date of Patent:** **** Nov. 14, 2017**

(54) **LAPTOP COMPUTER**

(71) Applicant: **Intel Corporation**, Santa Clara, CA (US)

(72) Inventor: **Duck Young Kong**, Beaverton, OR (US)

(73) Assignee: **Intel Corporation**, Santa Clara, CA (US)

(**) Term: **15 Years**

(21) Appl. No.: **29/569,415**

(22) Filed: **Jun. 27, 2016**

(51) **LOC (10) Cl.** **14-02**

(52) **U.S. Cl.**
USPC **D14/315**

(58) **Field of Classification Search**
USPC D14/315-327; D18/1, 2, 7, 11;
235/145 A, 145 R; 341/22, 23; 345/104,
(Continued)

(56) **References Cited**

U.S. PATENT DOCUMENTS

D624,911 S * 10/2010 Lee D14/315
D696,245 S * 12/2013 Lee D14/315
(Continued)

Primary Examiner — Freda S Nunn

(74) *Attorney, Agent, or Firm* — Schwegman Lundberg & Woessner, P.A.

(57) **CLAIM**

The ornamental design for a laptop computer, as shown and described.

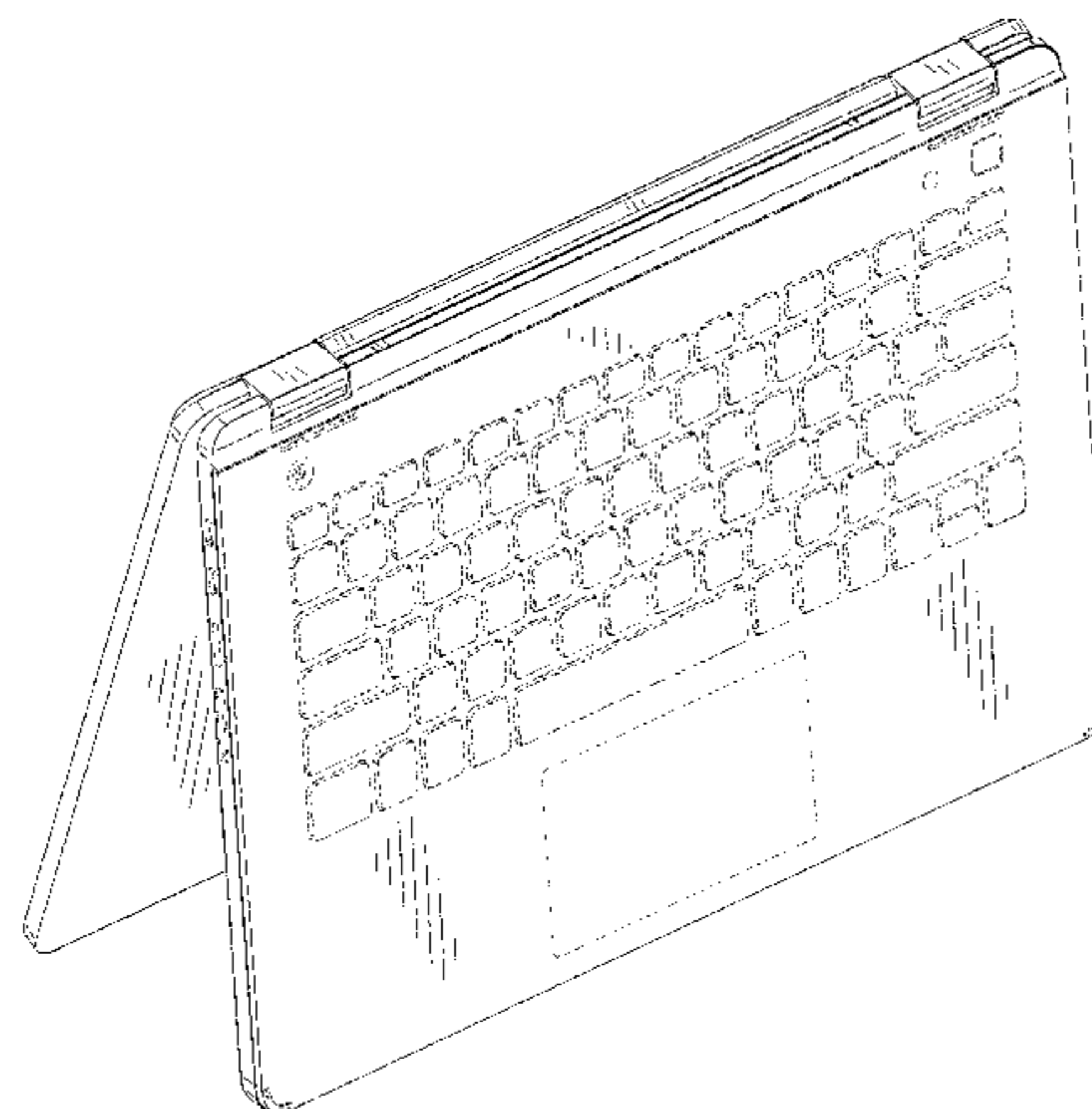
DESCRIPTION

FIG. 1 is a front perspective view of the laptop computer wherein the display panel and the keyboard panel are partially folded in a back to back orientation;

FIG. 2 is another perspective view thereof;
FIG. 3 is front view thereof when the display panel is folded back to back with the keyboard panel;
FIG. 4 is a rear view thereof when the keyboard panel is folded back to back with the display panel;
FIG. 5 is a top perspective view thereof;
FIG. 6 is a bottom perspective view thereof;
FIG. 7 is a left side view thereof;
FIG. 8 is a right side view thereof;
FIG. 9 is a perspective view thereof in a laptop orientation;
FIG. 10 is another perspective view thereof;
FIG. 11 is a front view thereof;
FIG. 12 is a rear view thereof;
FIG. 13 is a top plan view thereof;
FIG. 14 is a bottom view thereof;
FIG. 15 is a left side view thereof;
FIG. 16 is a right side view thereof;
FIG. 17 is a perspective view thereof in a closed book orientation;
FIG. 18 is top perspective view thereof;
FIG. 19 is bottom perspective view thereof;
FIG. 20 is a front view thereof;
FIG. 21 is a rear view thereof;
FIG. 22 is a top plan view thereof;
FIG. 23 is a bottom plan view thereof;
FIG. 24 left side view thereof;
FIG. 25 is a right side view thereof;
FIG. 26 is an enlarged fragmentary left side view thereof shown in FIG. 24;
FIG. 27 is a perspective view thereof when completely folded back to back with the keyboard panel;
FIG. 28 is another perspective view thereof when completely folded back to back with display panel;
FIG. 29 is a front view thereof when completely folded back to back with the keyboard panel;
FIG. 30 is a rear view thereof when completely folded back to back with the display panel;
FIG. 31 is a front view thereof;
FIG. 32 is a rear view thereof;
FIG. 33 is a left side view thereof;
FIG. 34 is a right side view thereof; and,
FIG. 35 is an enlarged fragmentary front view thereof shown in FIG. 29.

The broken lines shown in the drawings represent environment only and form no part of the claimed design.

1 Claim, 29 Drawing Sheets



(58) **Field of Classification Search**

USPC 345/156, 168, 169, 173; 361/679.08,
361/679.09, 679.11, 679.26, 679.27
CPC G06F 1/16; G06F 1/1616; G06F 1/1626;
G06F 1/1632; G06F 1/1613; G06F
1/1601; G06F 1/1618; G06F 1/162; G06F
1/166; G06F 1/1654; G06F 1/1681; G06F
1/1637; G06F 1/1688; G06F 1/1656;
H01R 35/02; H03M 11/00; G09B 13/04;
H03K 17/94; G09G 5/00; F16M 11/10;
H05K 5/00; H04M 1/0237

See application file for complete search history.

(56) **References Cited**

U.S. PATENT DOCUMENTS

D705,773 S * 5/2014 Tian D14/316
D708,177 S * 7/2014 Honda D14/316
D741,851 S * 10/2015 Kim D14/315
D755,781 S * 5/2016 Schoenith D14/315
D758,359 S * 6/2016 Reed D14/315
2004/0074050 A1* 4/2004 Birtley E05D 11/087
16/340
2005/0041378 A1* 2/2005 Hamada G06F 1/1616
361/679.01
2011/0255727 A1* 10/2011 Azuchi G06F 1/1616
381/333

* cited by examiner

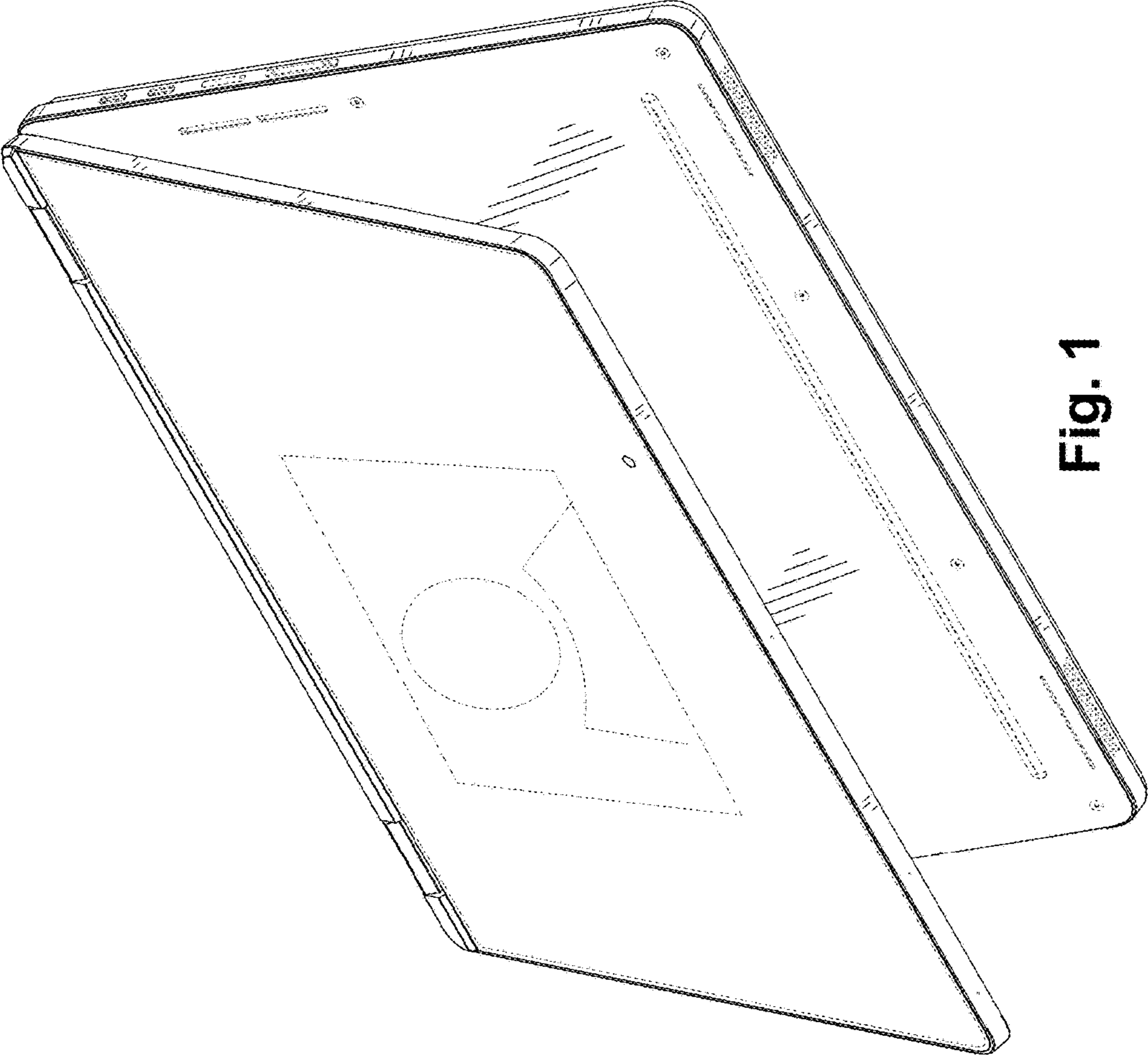


Fig. 1

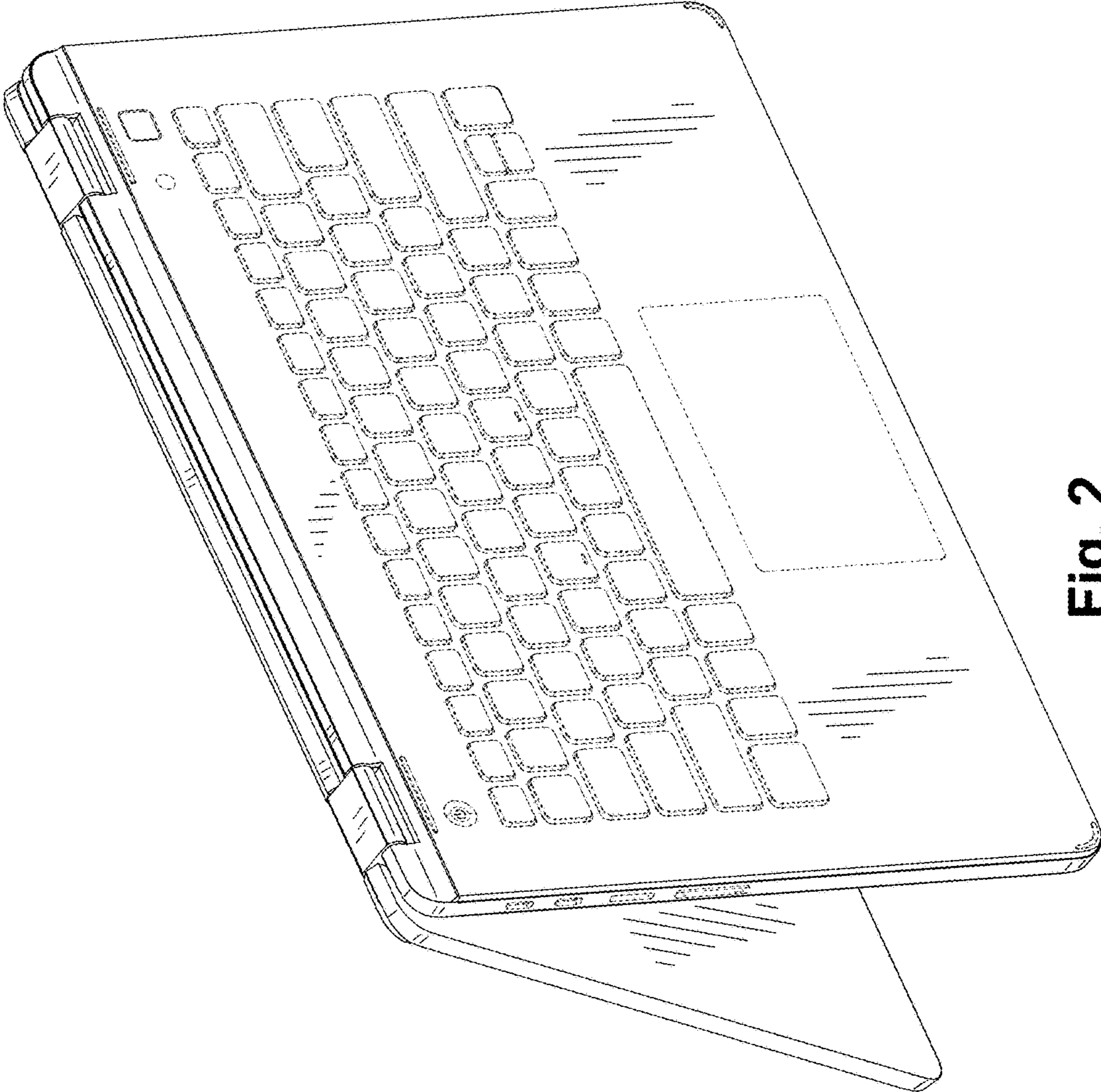


Fig. 2

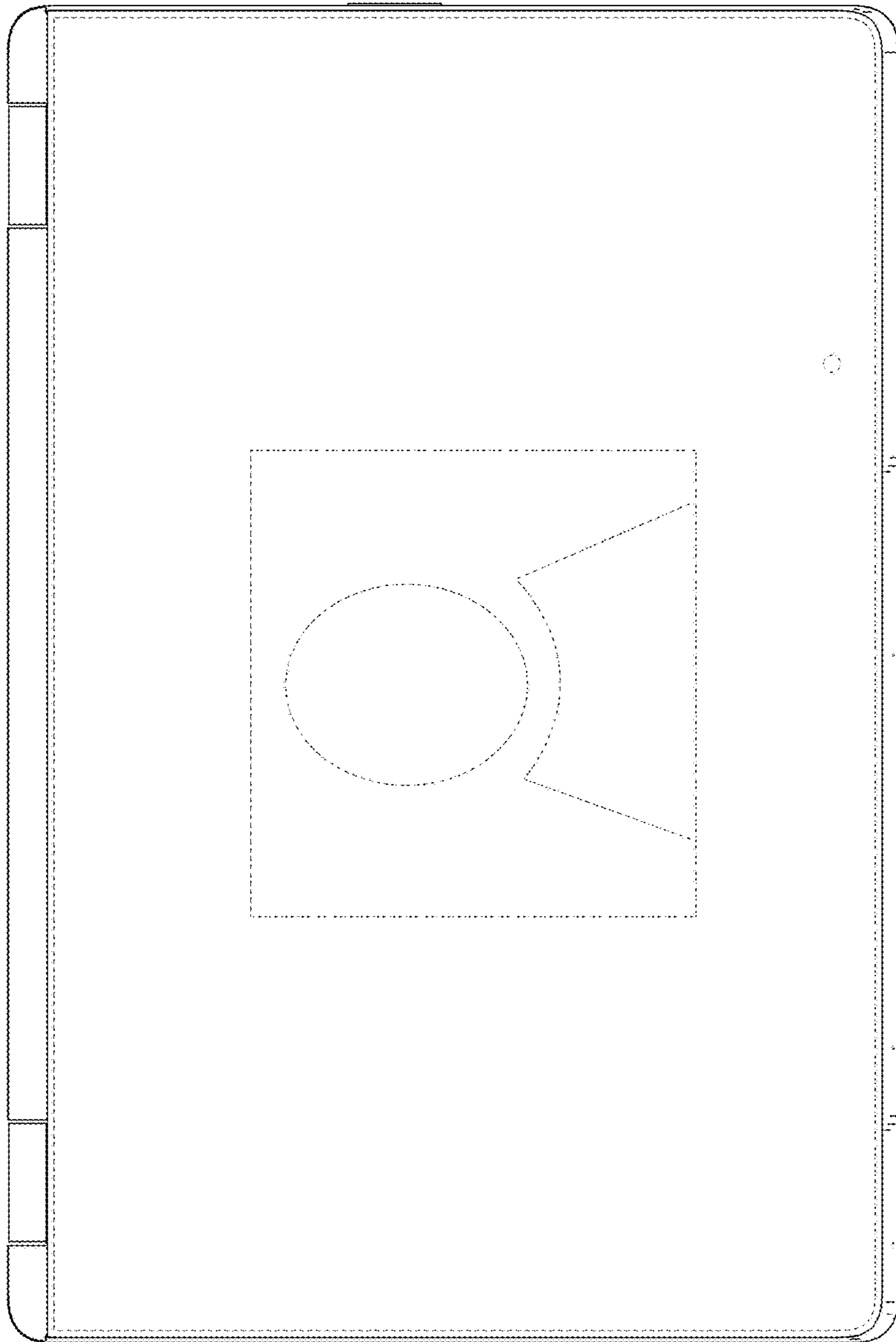


Fig. 3

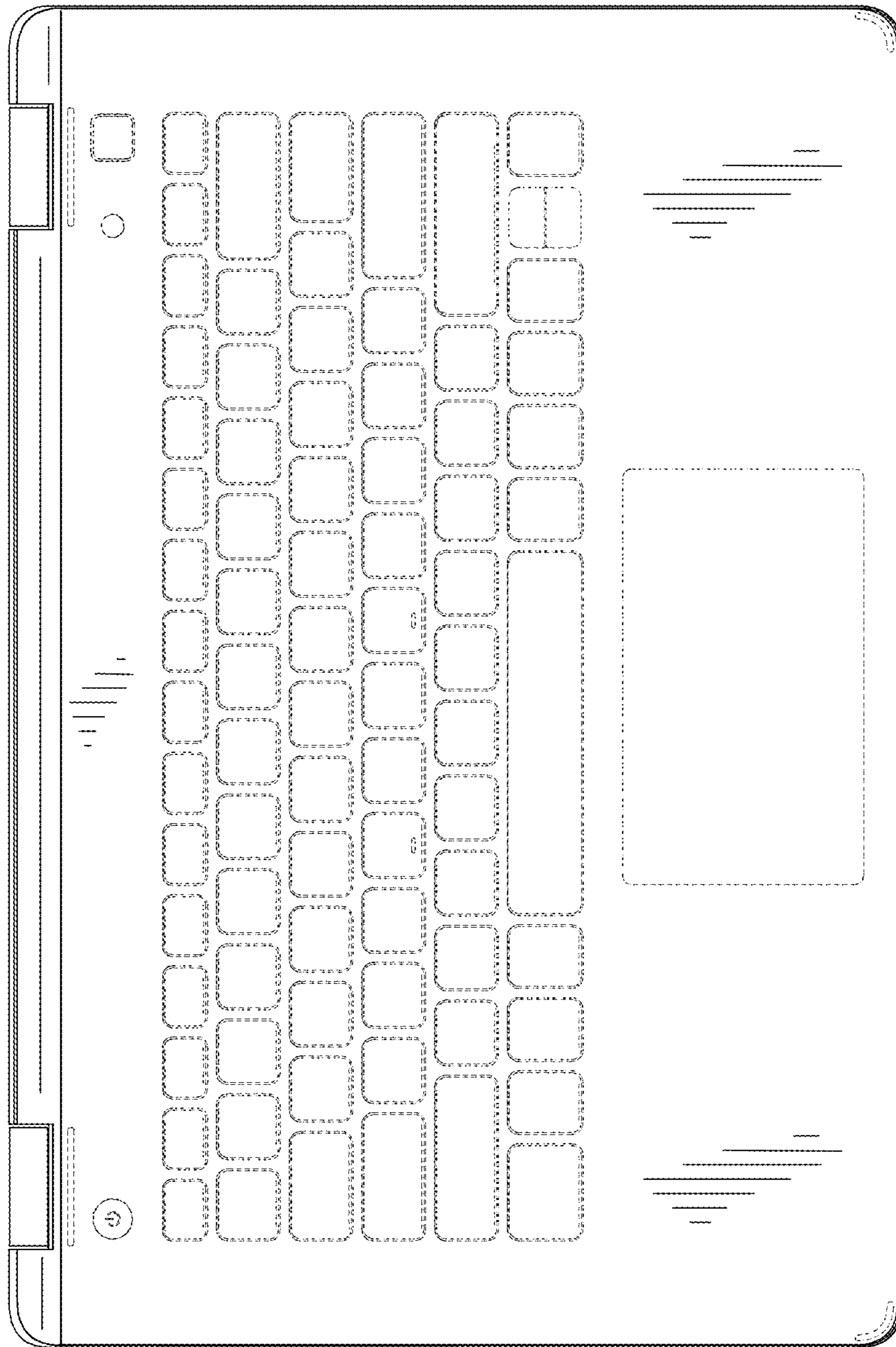


Fig. 4

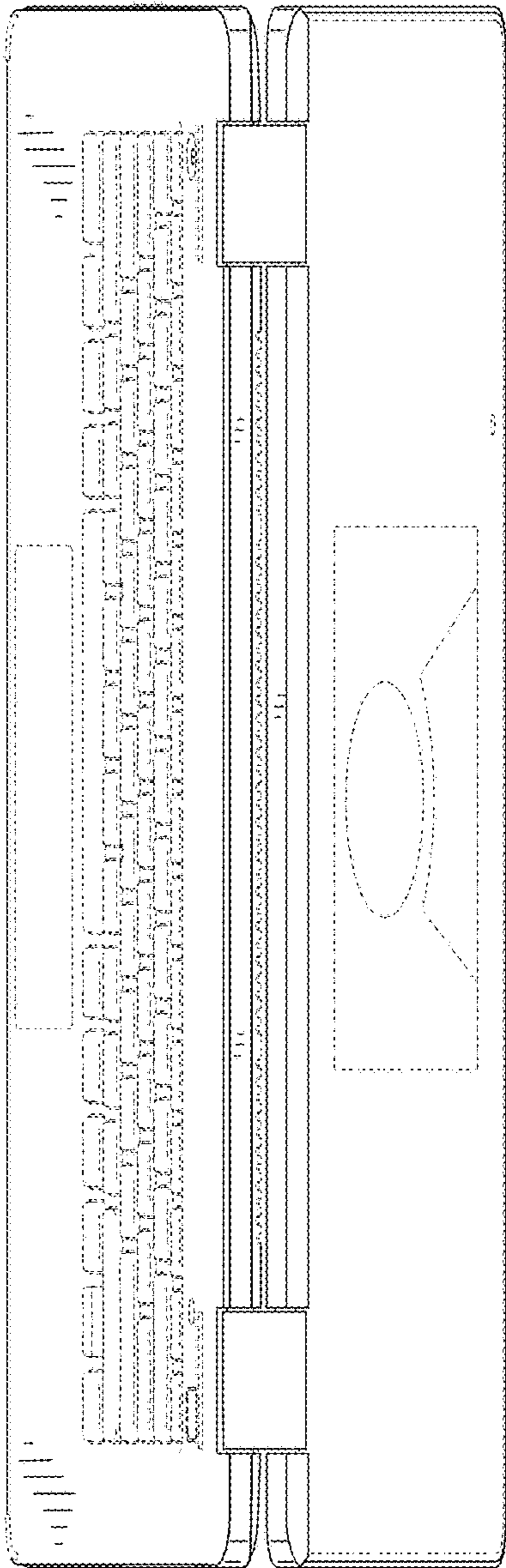


Fig. 5

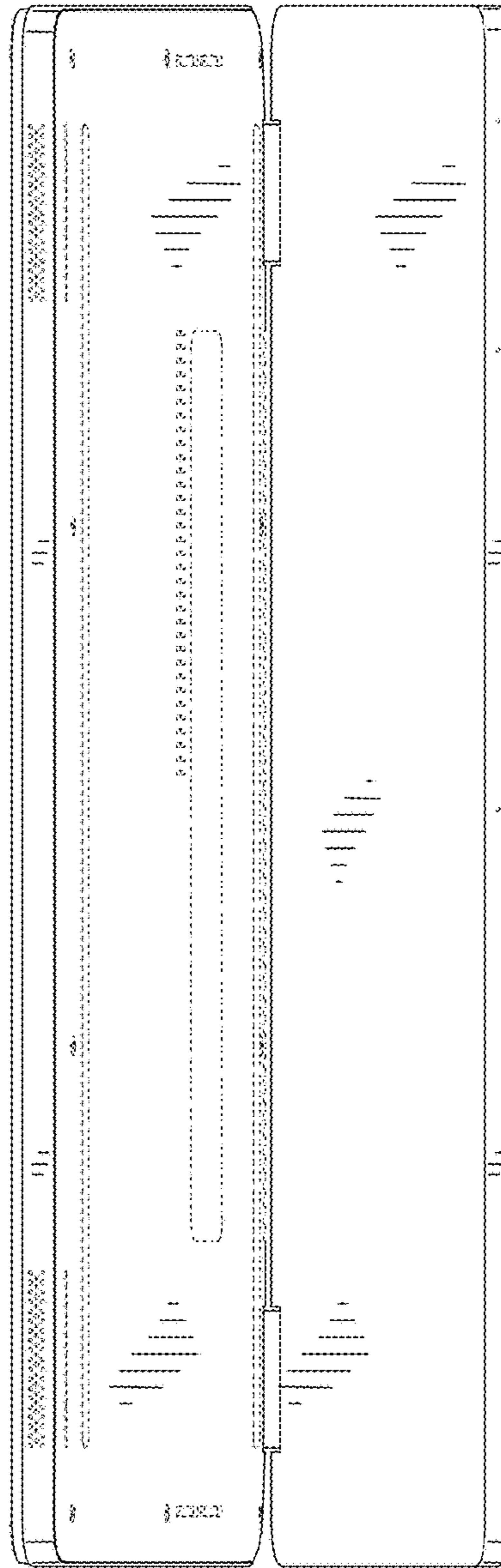


Fig. 6

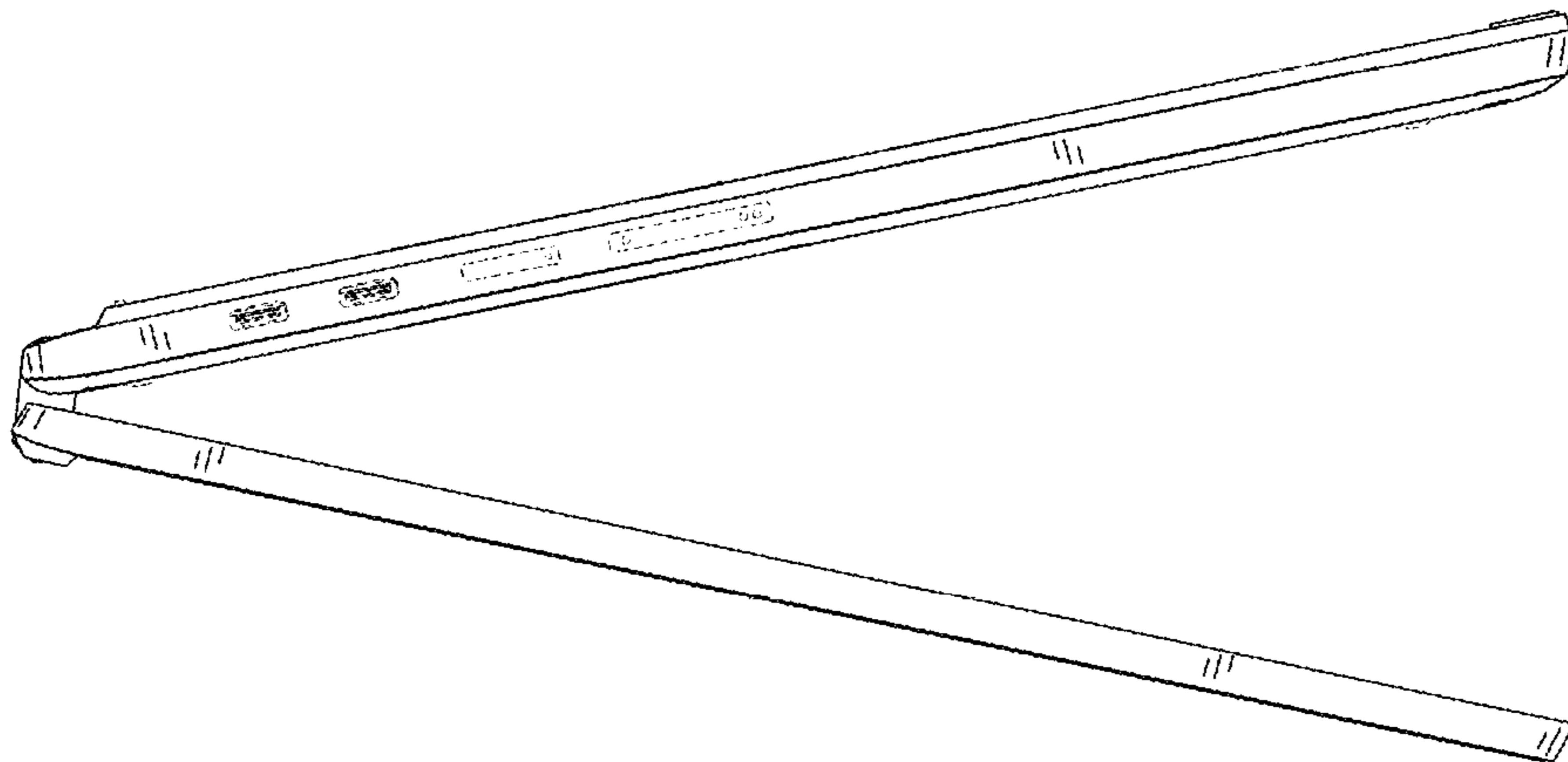


Fig. 8

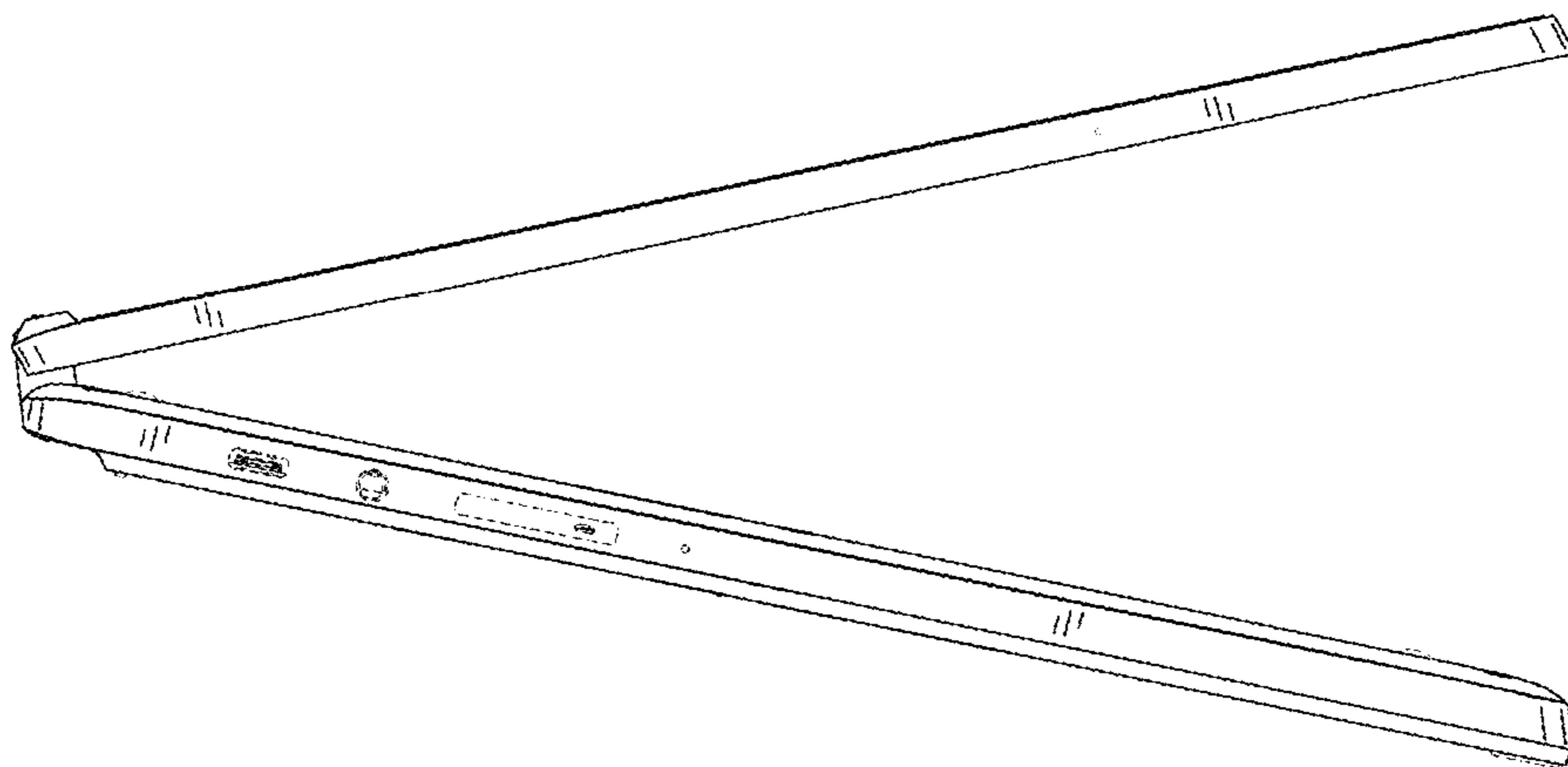


Fig. 7

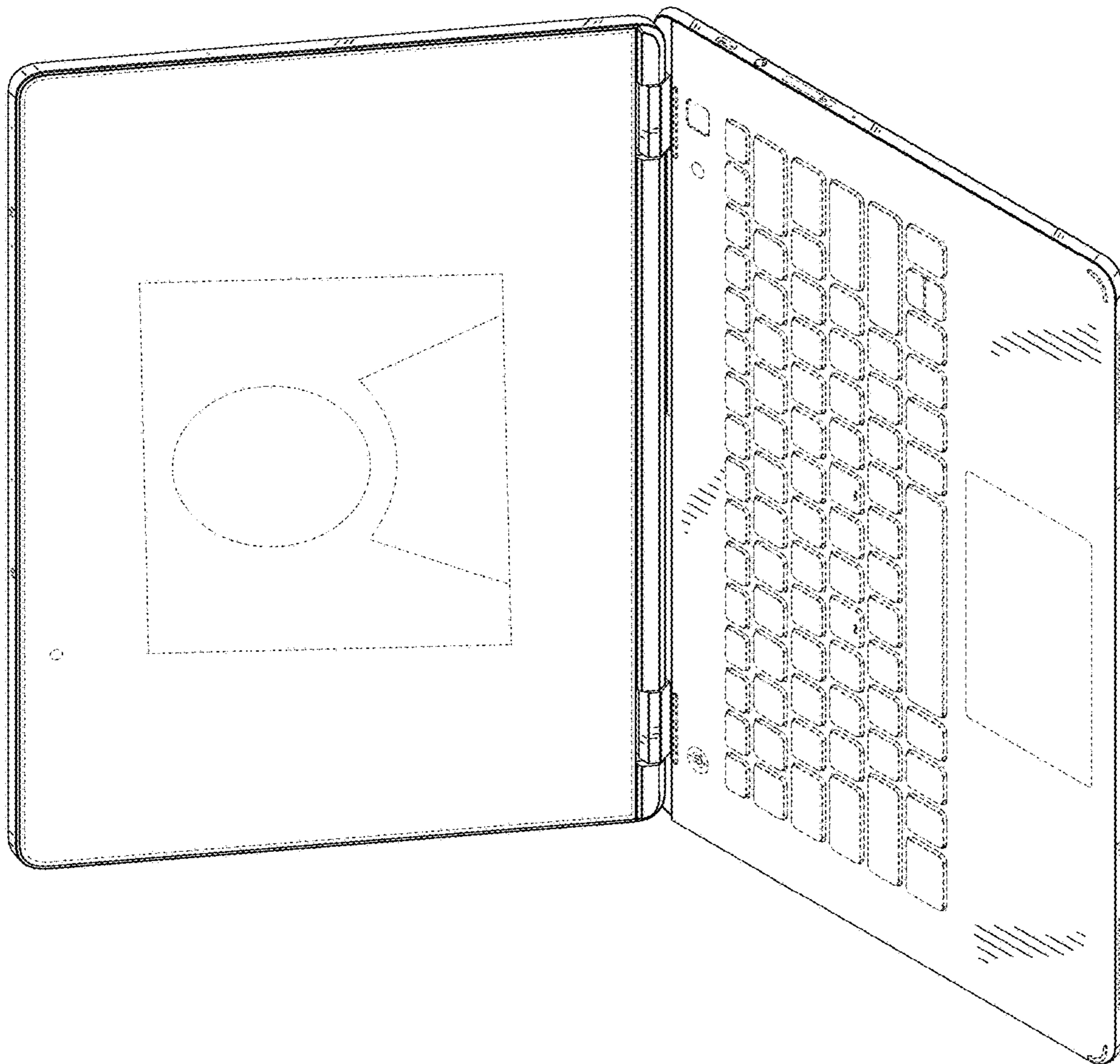


Fig. 9

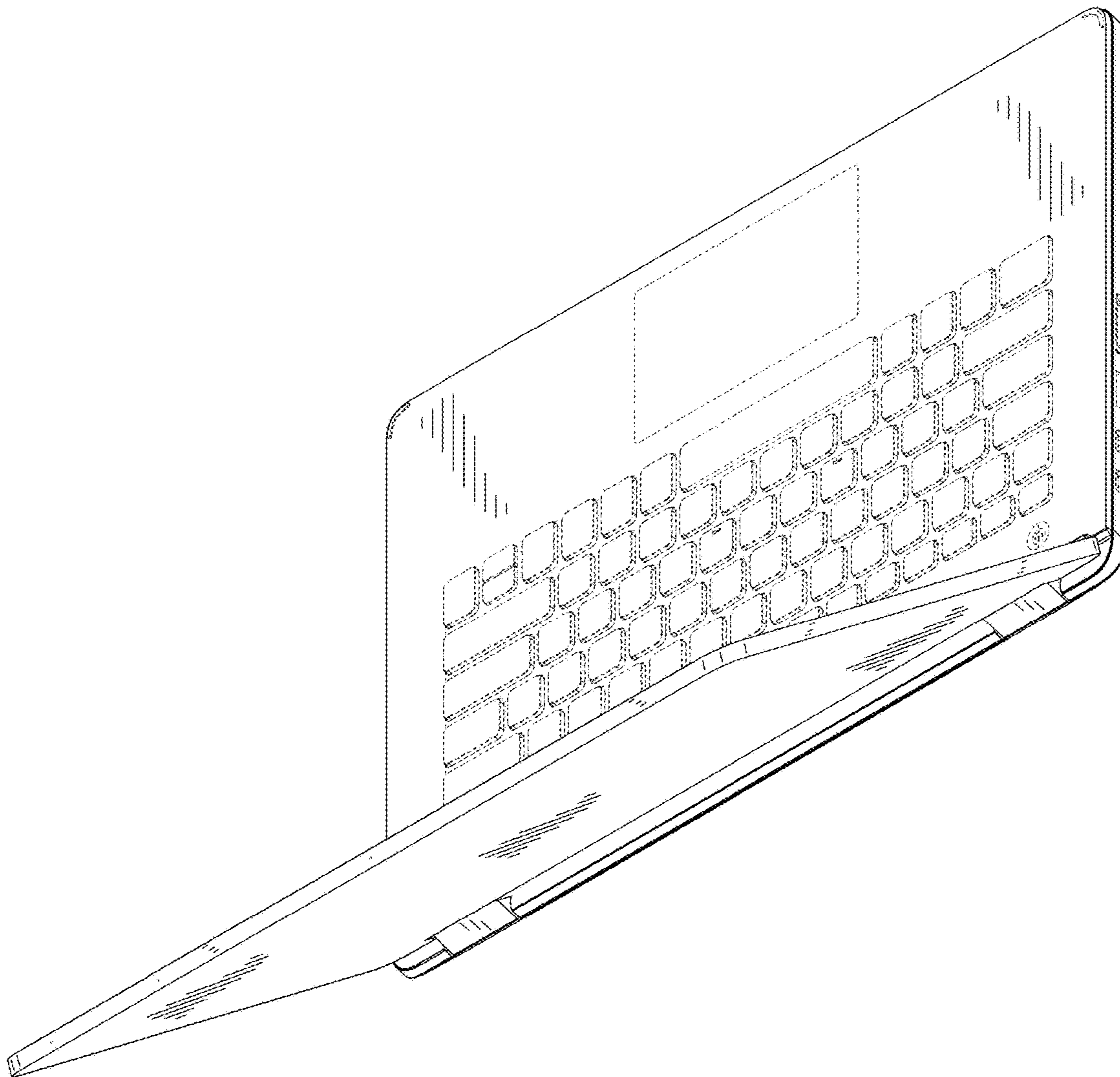


Fig.10

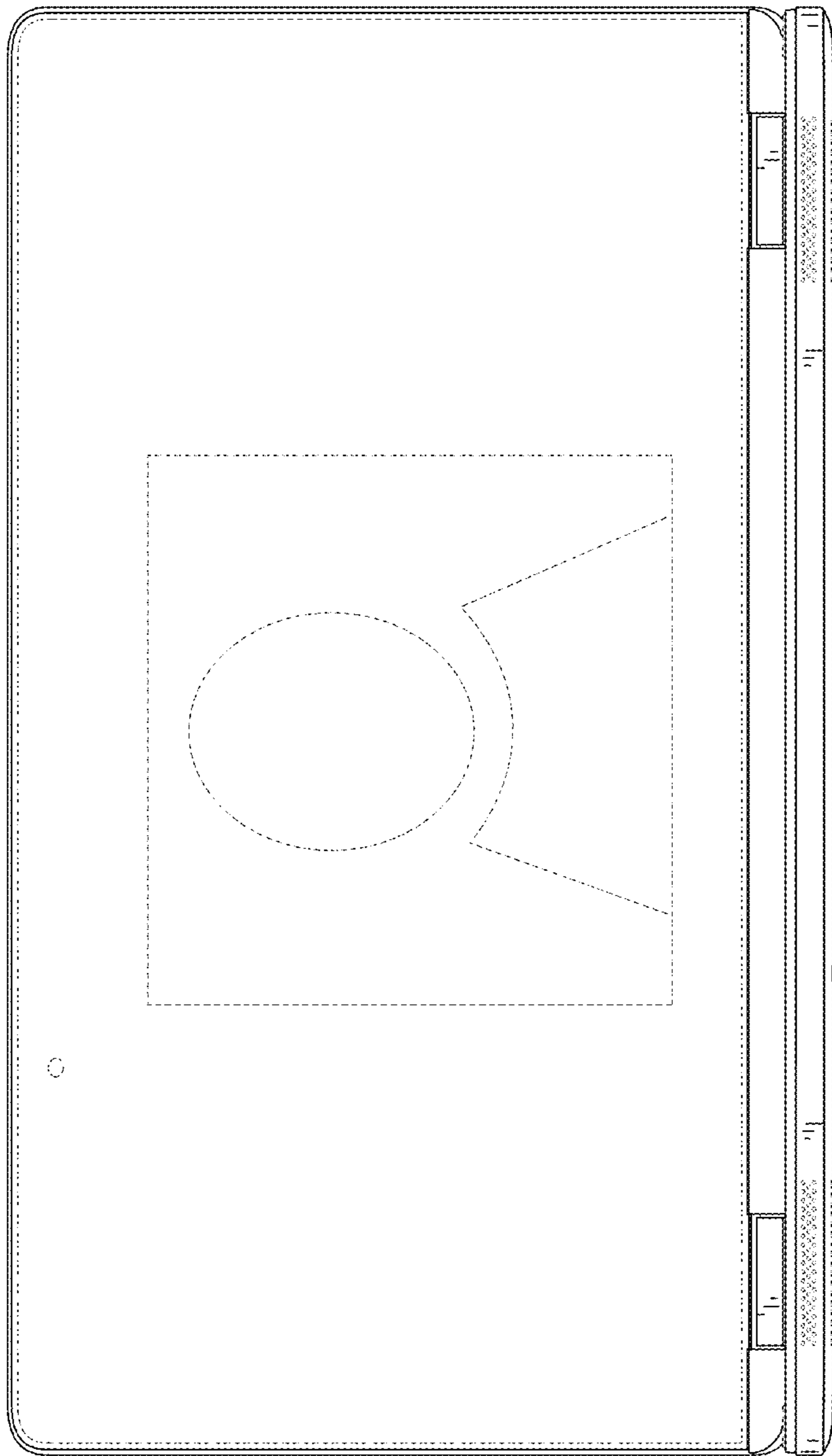


Fig. 11

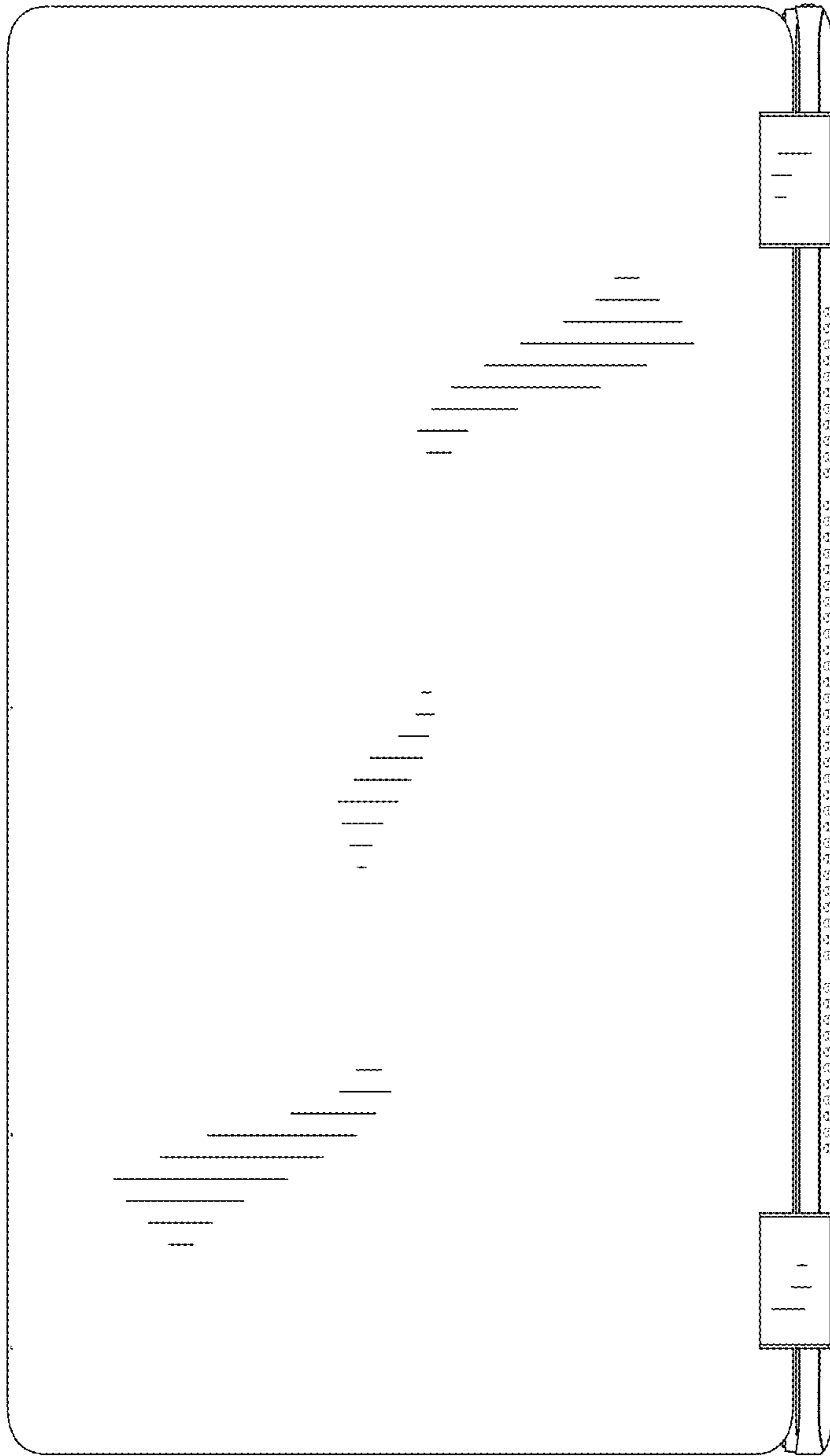


Fig. 12

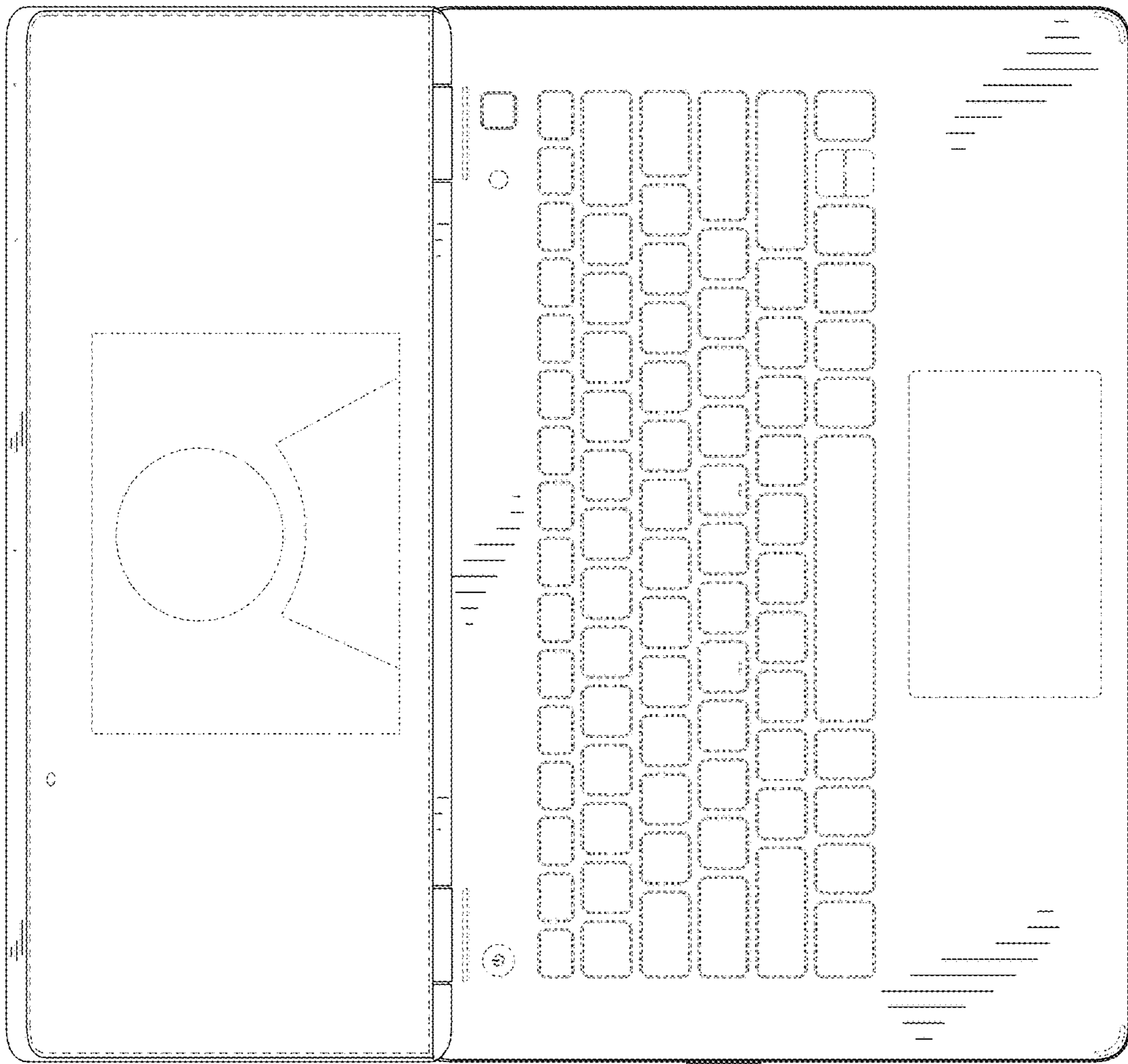


Fig. 13

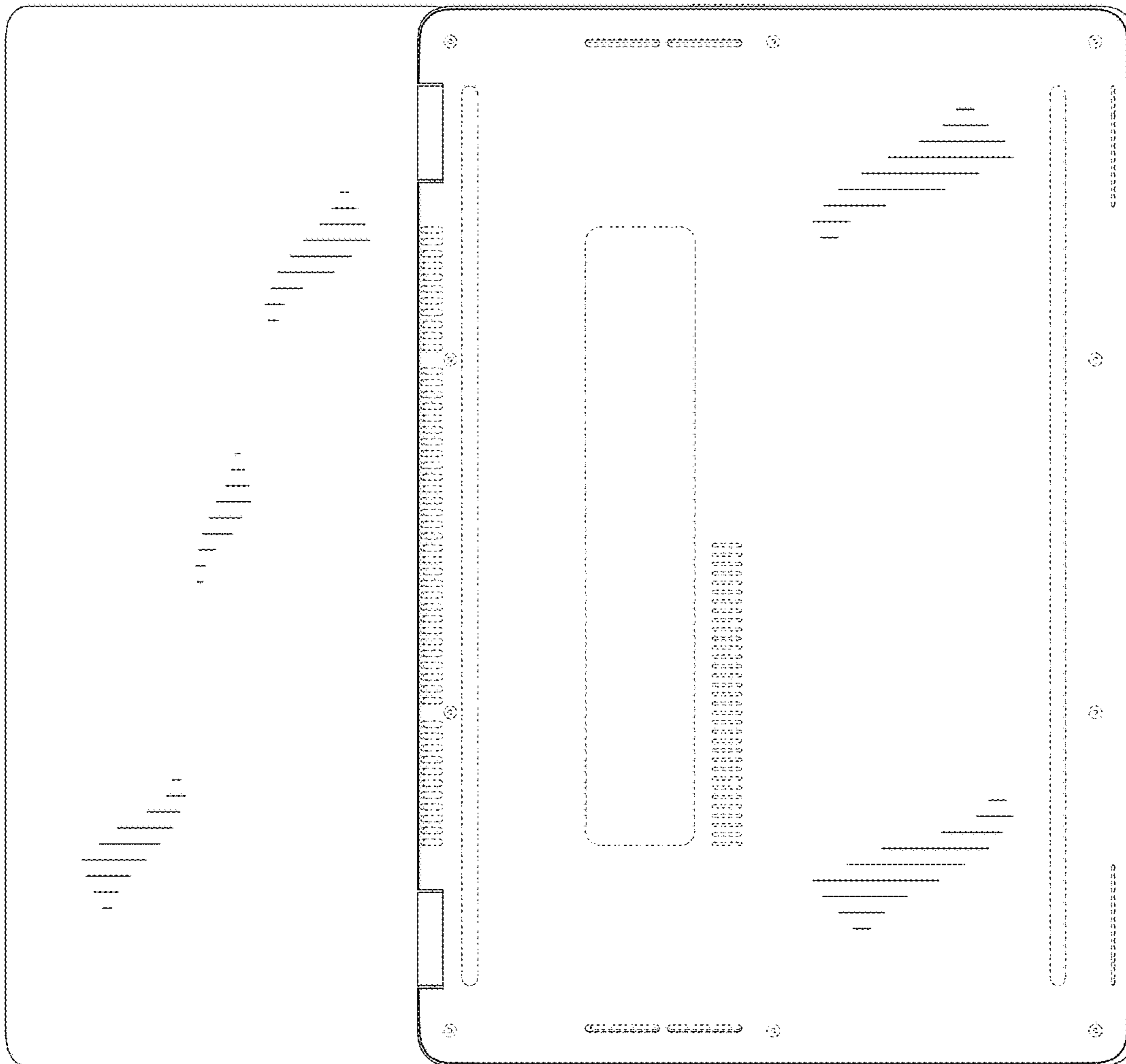


Fig. 14

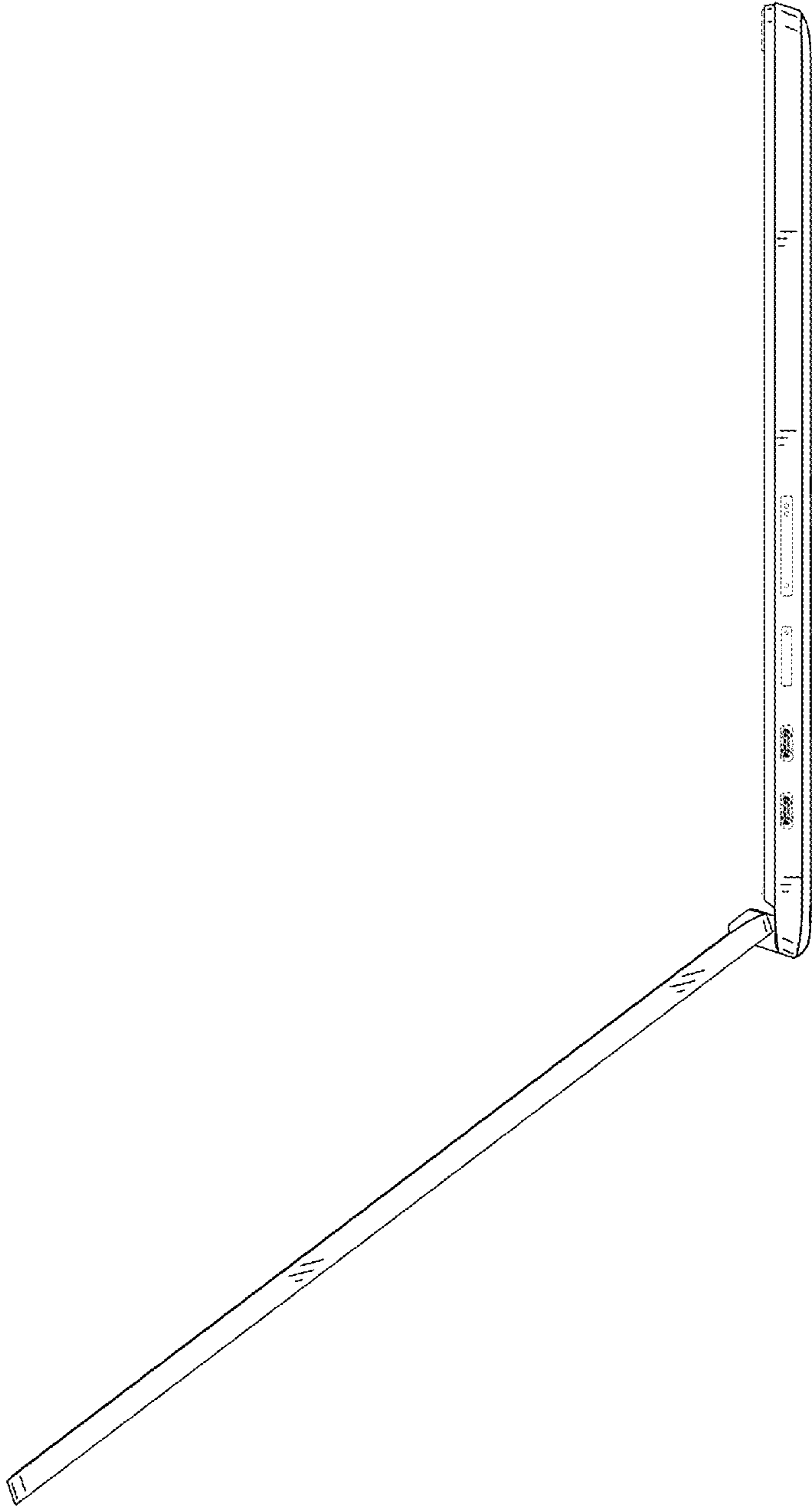


Fig. 15

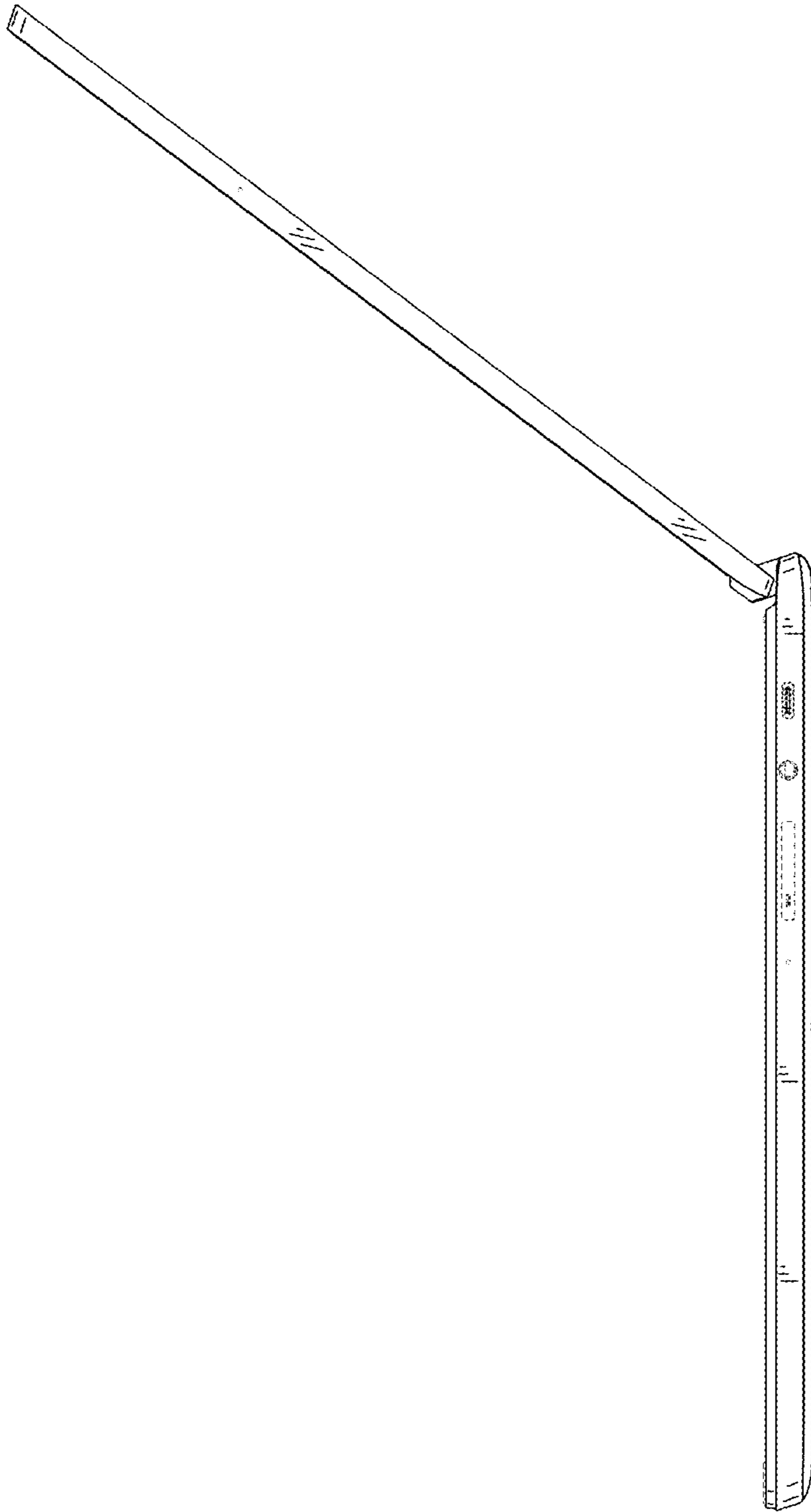


Fig. 16

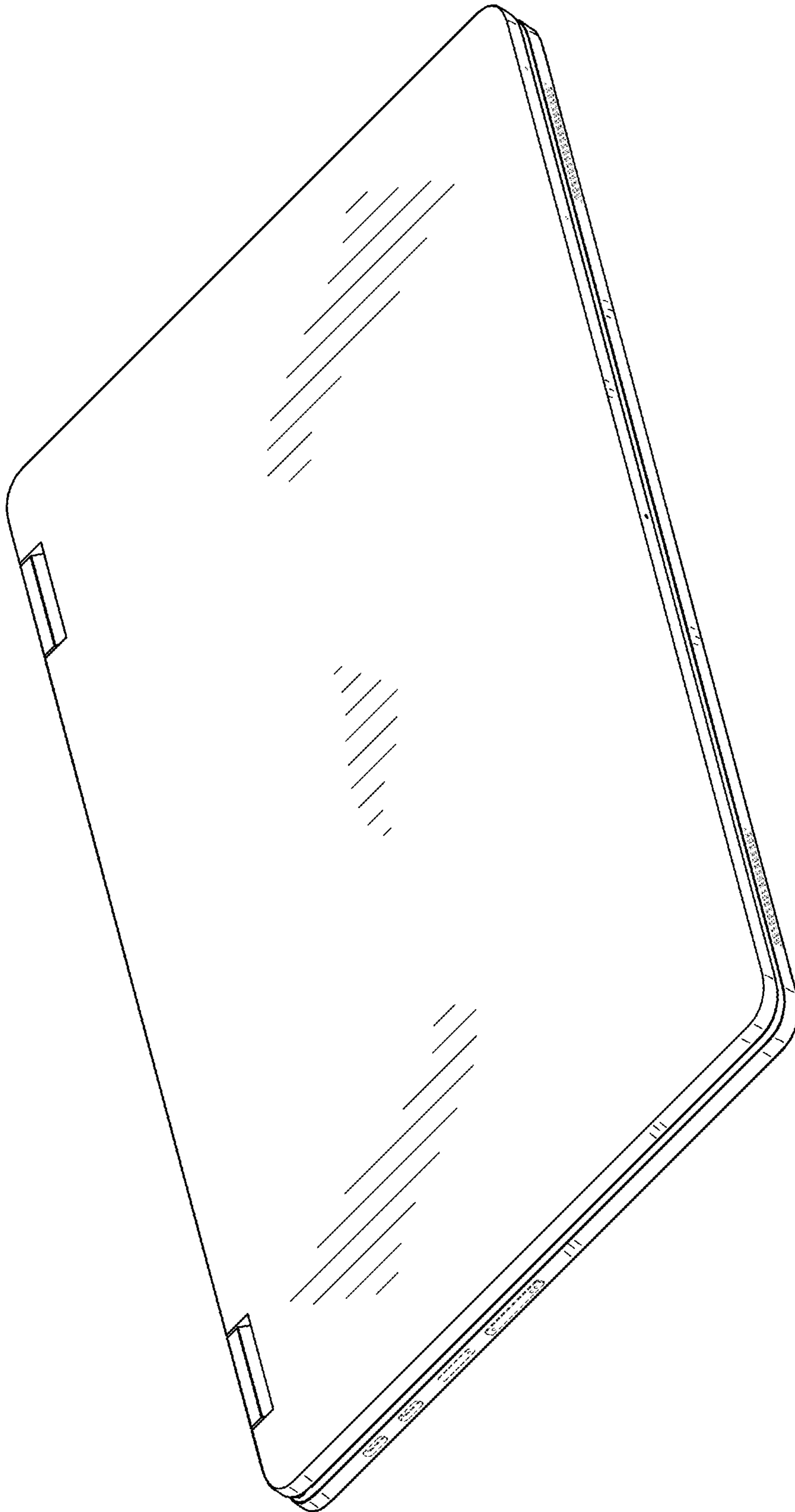


Fig. 17

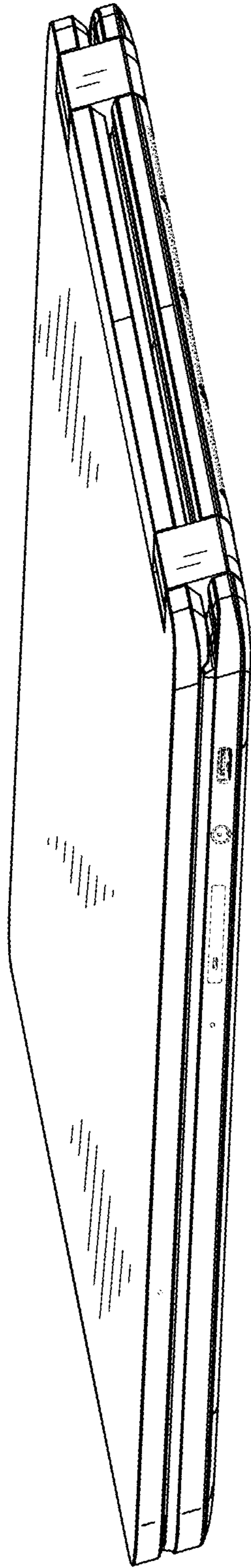


Fig. 18

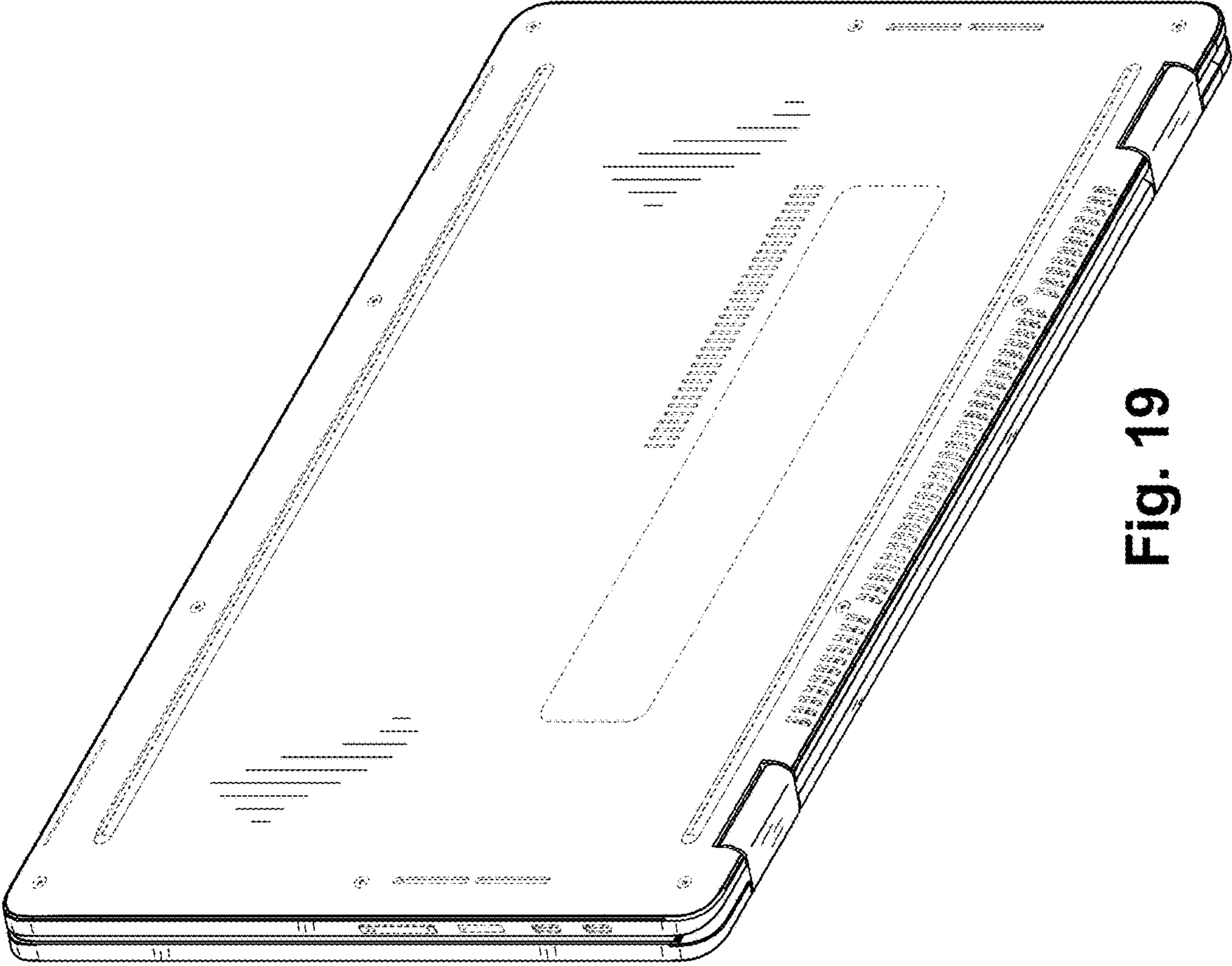


Fig. 19

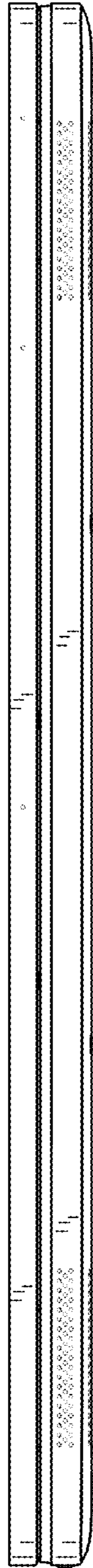


Fig. 20

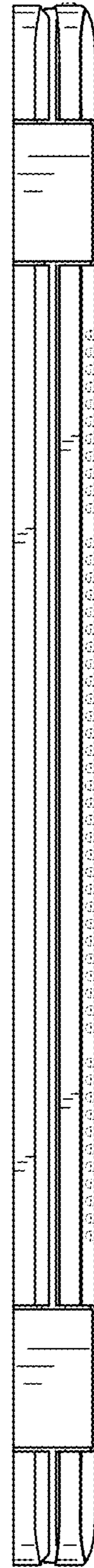


Fig. 21

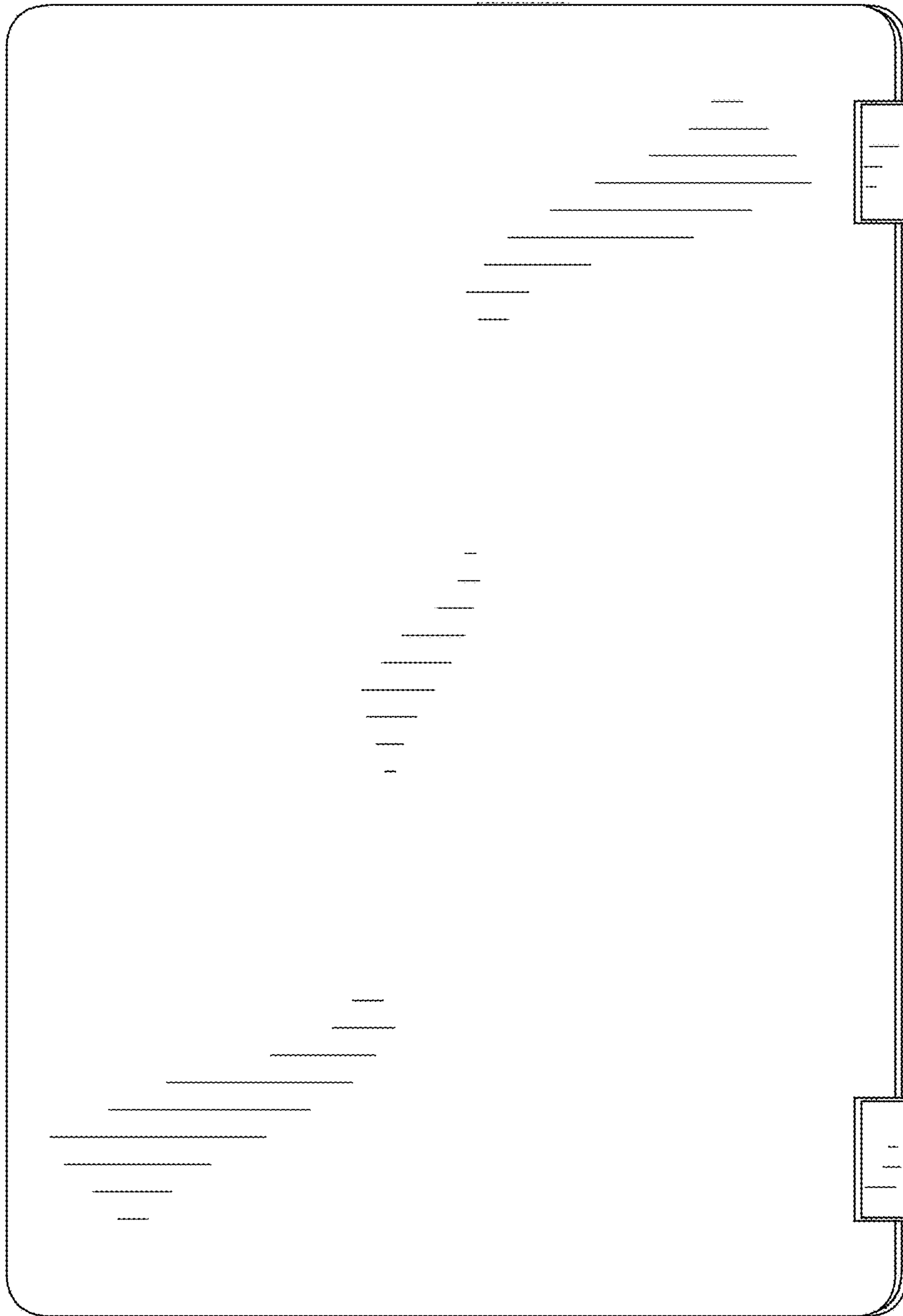


Fig. 22

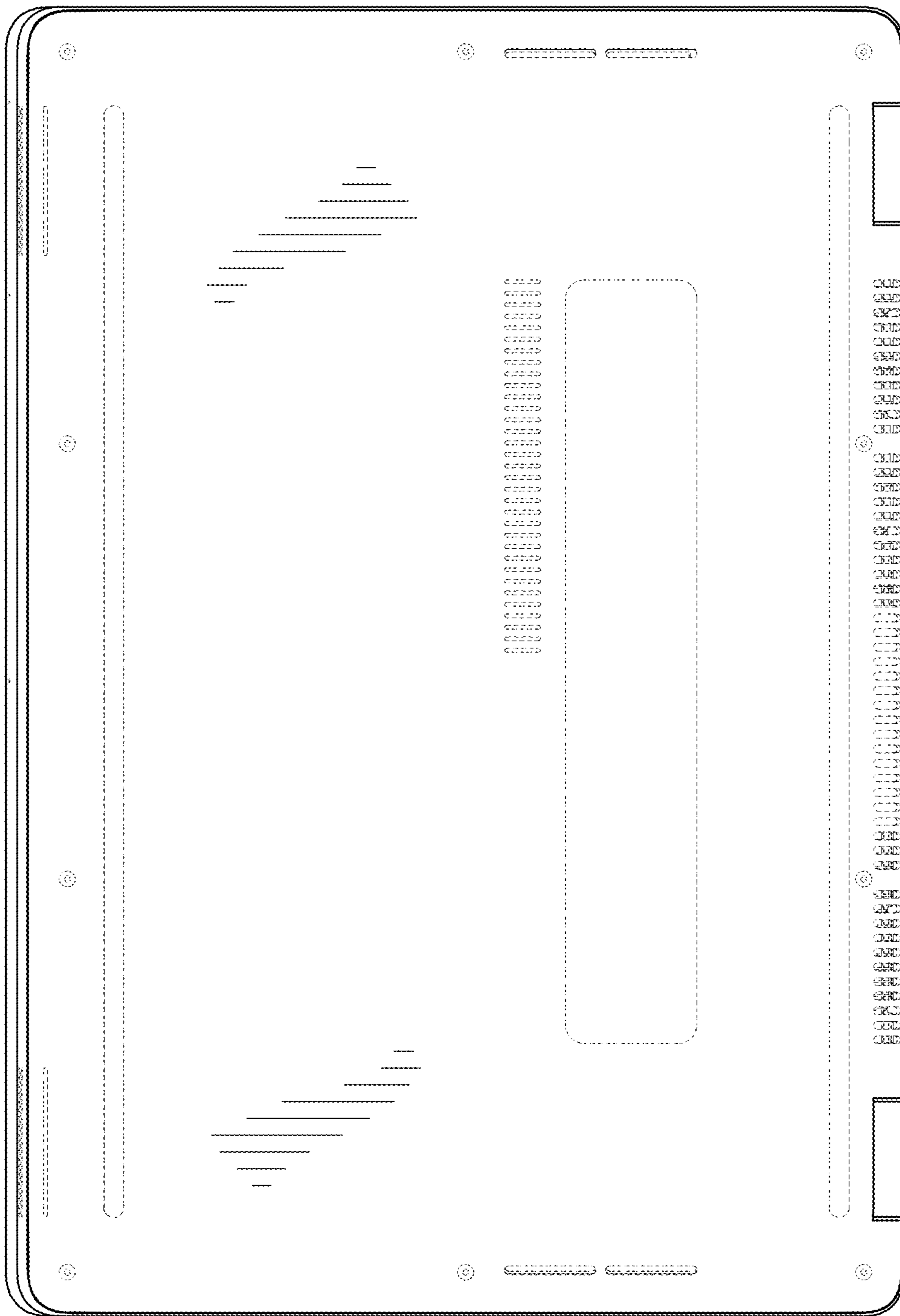


Fig. 23

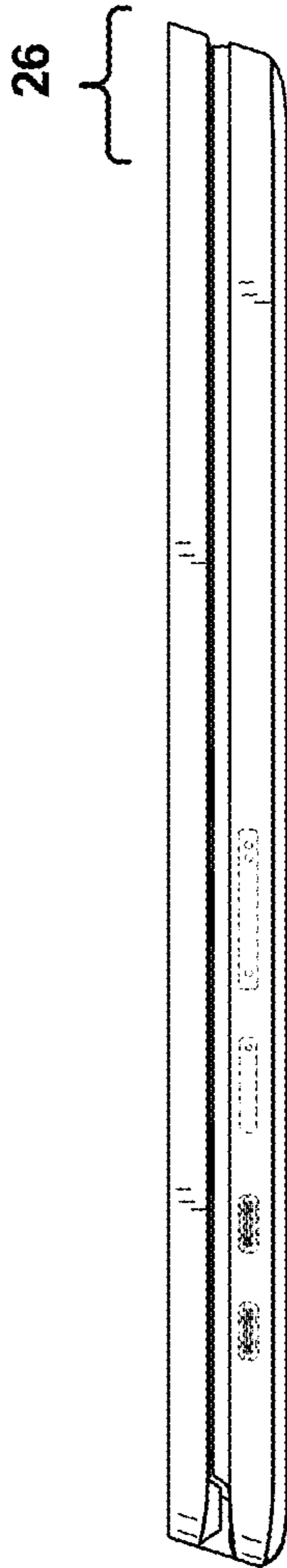


Fig. 24

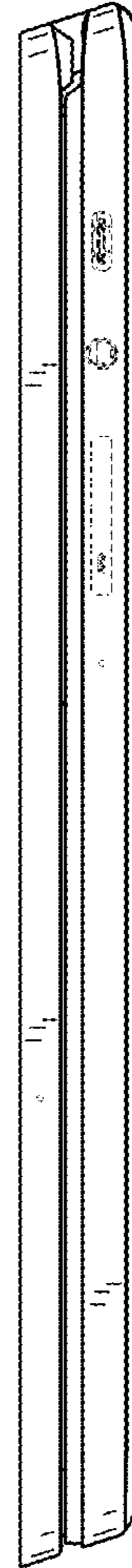


Fig. 25

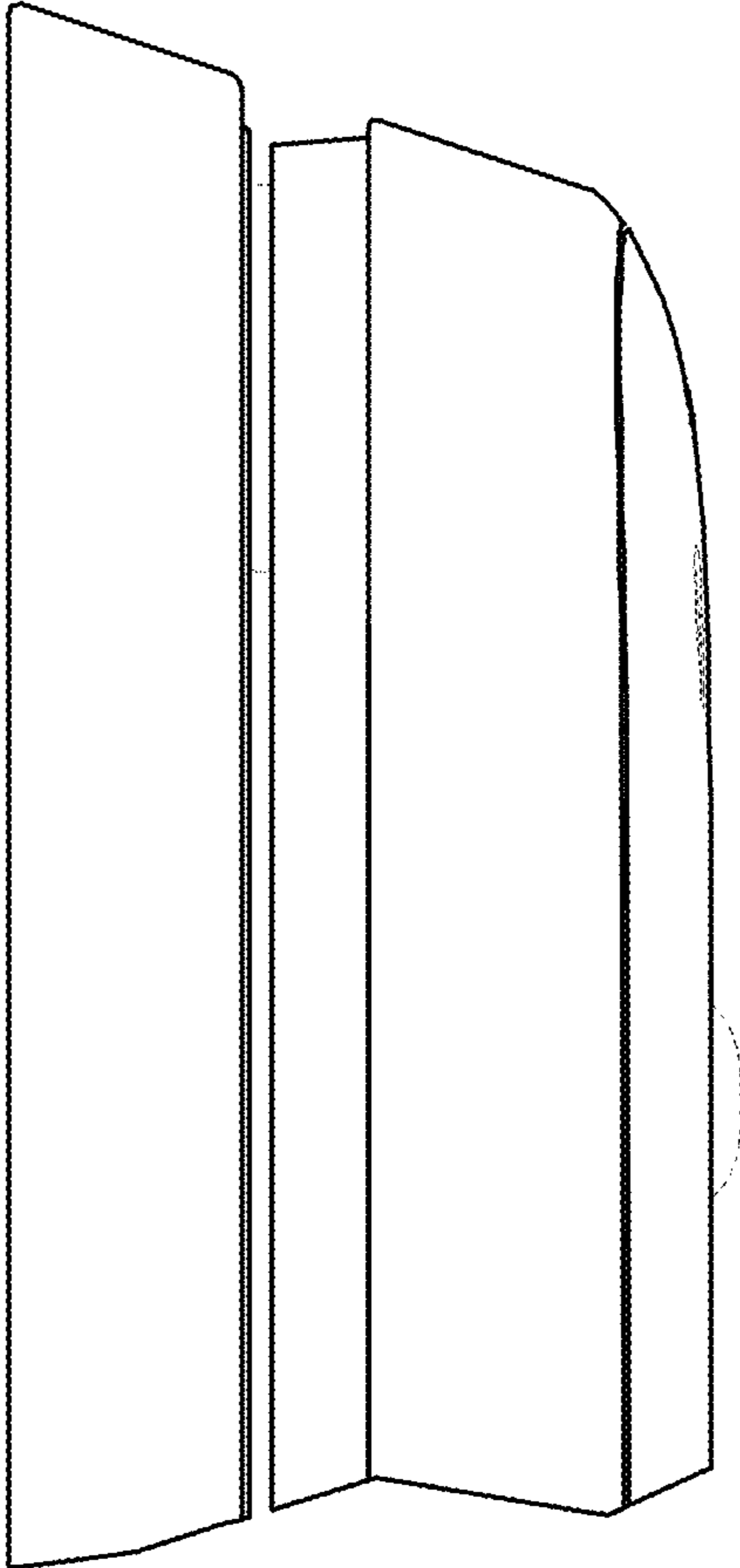


Fig. 26

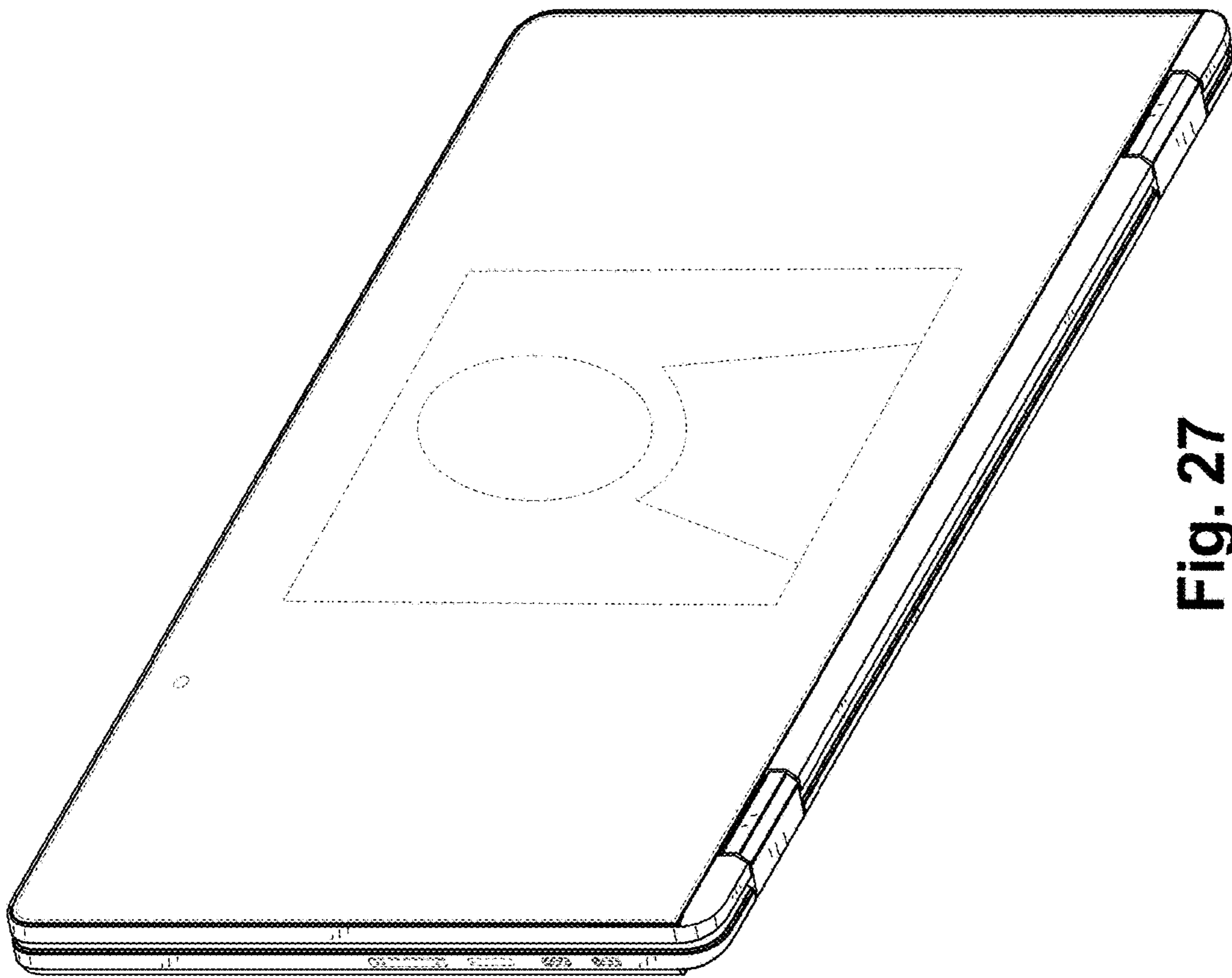


Fig. 27

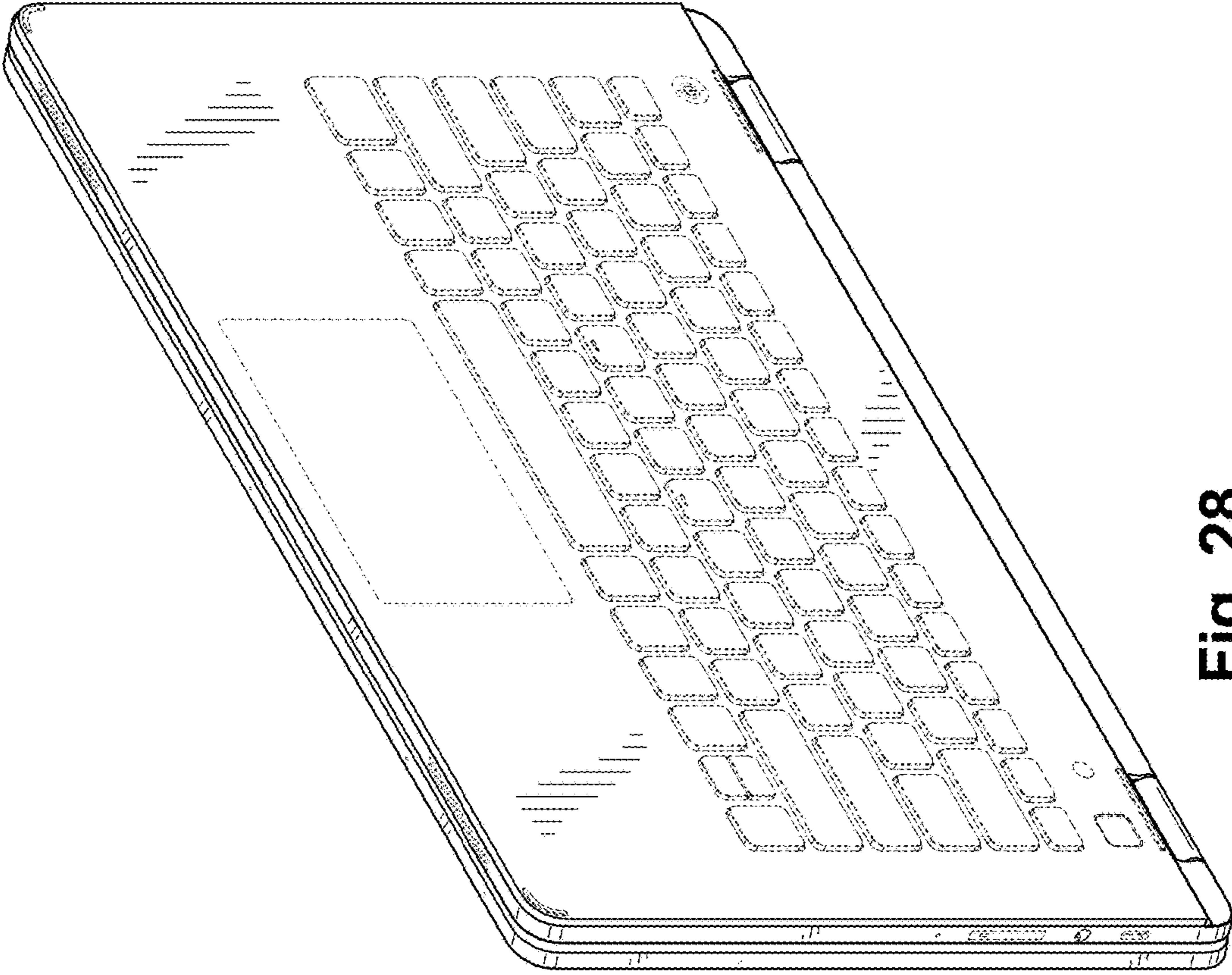


Fig. 28

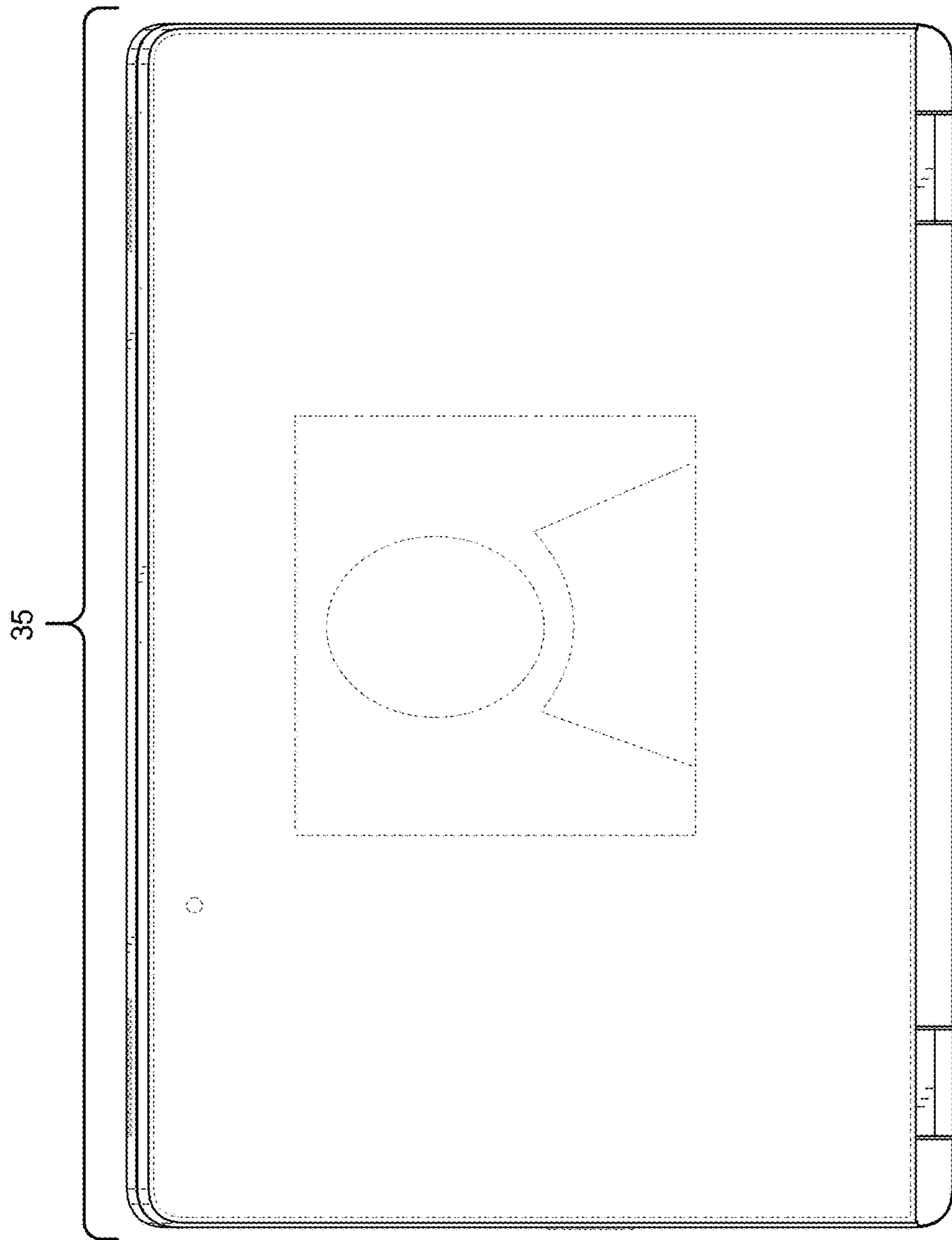


Fig. 29

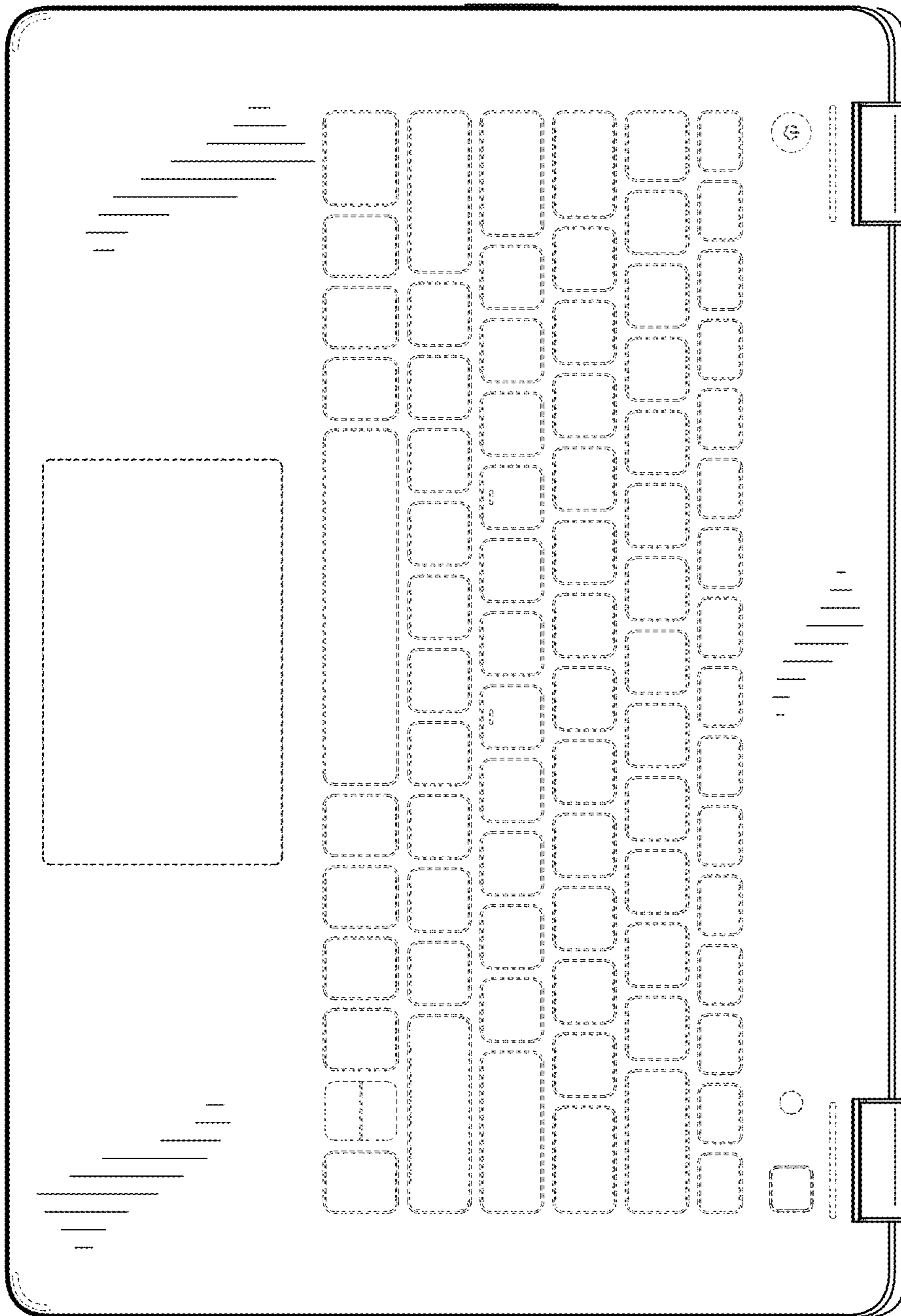


Fig. 30

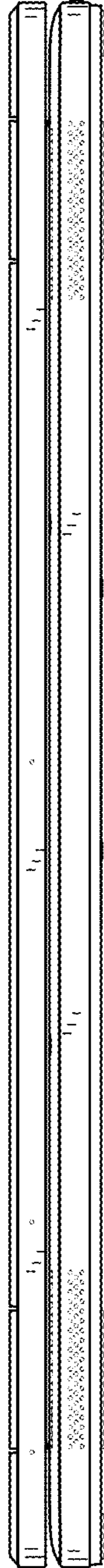


Fig. 31

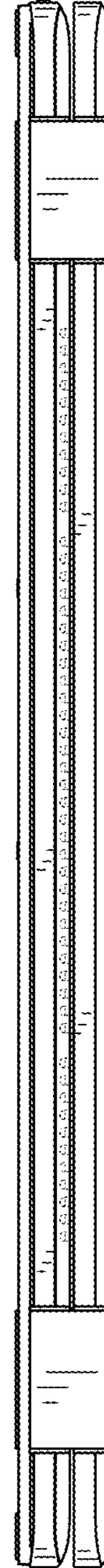


Fig. 32

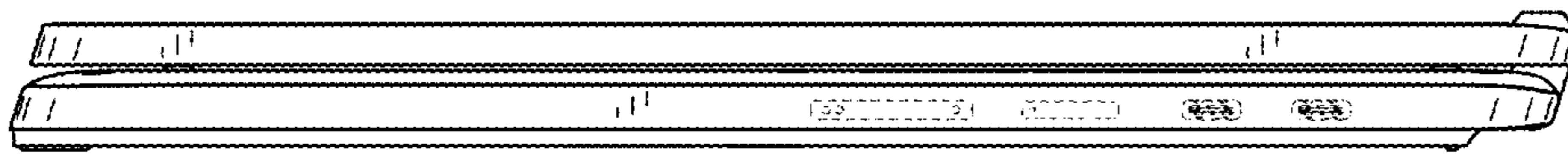


Fig. 34

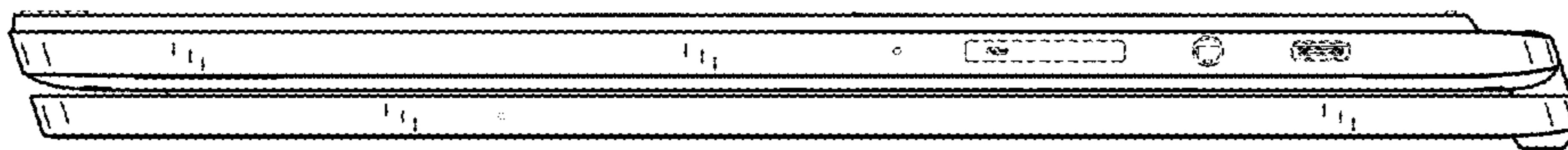


Fig. 33

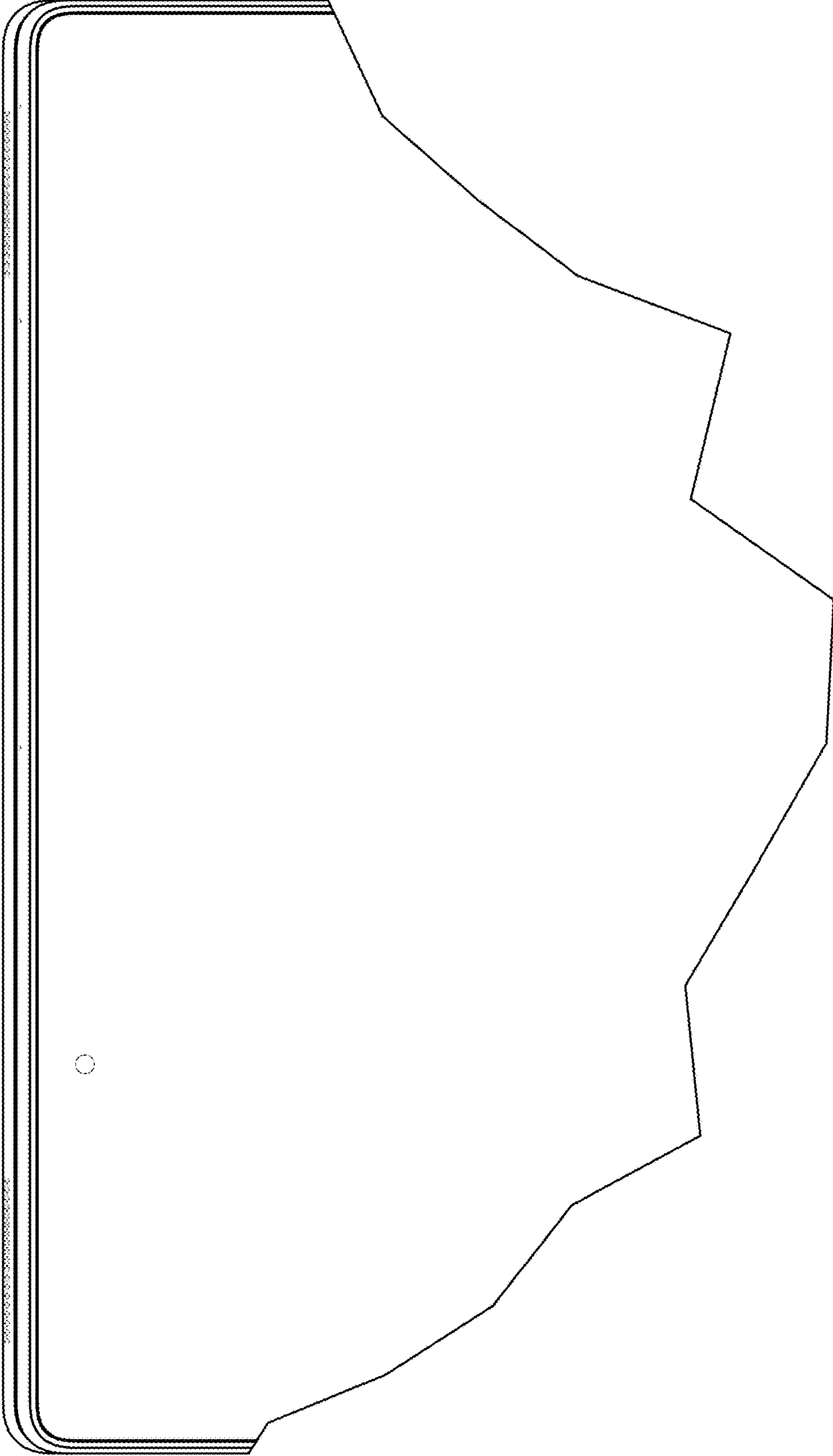


Fig. 35