



US00D802582S

(12) **United States Design Patent**
Krivosnak et al.

(10) **Patent No.:** **US D802,582 S**

(45) **Date of Patent:** **** Nov. 14, 2017**

(54) **ELECTRONICS ENCLOSURE**

7/00; H05H 7/20; G11B 33/126; G11B
33/128; G11B 33/08; G11B 33/02

(71) Applicant: **GENERAL ELECTRIC COMPANY**,
Schenectady, NY (US)

See application file for complete search history.

(72) Inventors: **Andrew Louis Krivosnak**, Erie, PA
(US); **Theodore Clark Brown**, Ripley,
NY (US); **Shreenath Shekar**
Perlaguri, Bangalore (IN); **Rajendra**
Yammanuru, Bangalore (IN); **Michael**
Jay Grutkowski, Erie, PA (US);
Arunpandi Radhakrishnan,
Puliyampatti (IN)

(56) **References Cited**

U.S. PATENT DOCUMENTS

6,549,398 B2 * 4/2003 Chen G06F 1/184
312/223.1
D581,412 S * 11/2008 Yang D14/349
D645,042 S * 9/2011 Lee D14/349

* cited by examiner

(73) Assignee: **General Electric Company**,
Schenectady, NY (US)

Primary Examiner — Freda S. Nunn

(74) *Attorney, Agent, or Firm* — Global Patent Operation;
John A. Kramer

(**) Term: **15 Years**

(21) Appl. No.: **29/573,548**

(57) **CLAIM**

The ornamental design for an electronics enclosure, as
shown and described.

(22) Filed: **Aug. 8, 2016**

(51) **LOC (10) Cl.** **14-02**

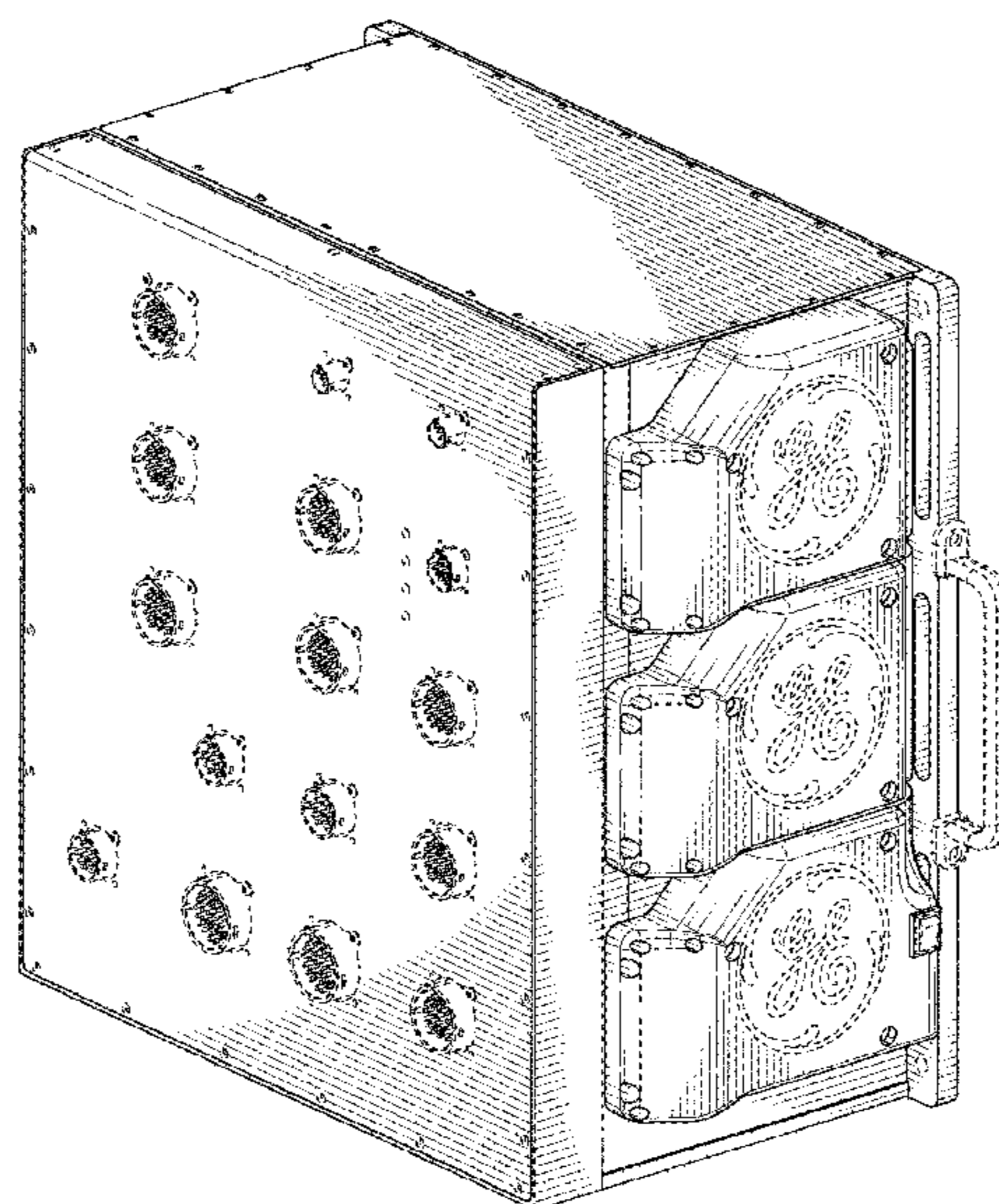
(52) **U.S. Cl.**
USPC **D14/308**

DESCRIPTION

(58) **Field of Classification Search**
USPC D14/240, 300, 301, 308, 313, 314,
D14/348–356, 364–368, 441–446, 188;
D13/123, 158, 162, 184, 199;
312/223.1–223.3, 351.11;
360/99.01–99.12; 369/34.01–36.01;
361/679.31–679.33, 679.37, 679.39,
361/679.46, 679.53, 679.4, 679.41, 727
CPC . G06F 1/20; G06F 1/181; G06F 1/187; G06F
1/183; G06F 1/184; G06F 1/16; H05K
7/16; H05K 7/1424; H05K 7/1409; H05K
7/20; H05K 7/20545; H05K 7/20727;
H05K 7/1425; H05K 7/1488; H05K
7/183; H05K 7/14; H05K 5/00; H05K

FIG. 1 is a perspective view of an electronics enclosure
depicting our new design;
FIG. 2 is a front view thereof;
FIG. 3 is a rear view thereof;
FIG. 4 is a side view thereof;
FIG. 5 is an opposite side view thereof;
FIG. 6 is a top plan view thereof;
FIG. 7 is a bottom plan view thereof; and,
FIG. 8 is an additional perspective view thereof.
The broken line portion of the figure drawings is included to
show unclaimed subject matter only and forms no part of the
claimed designs.

1 Claim, 7 Drawing Sheets



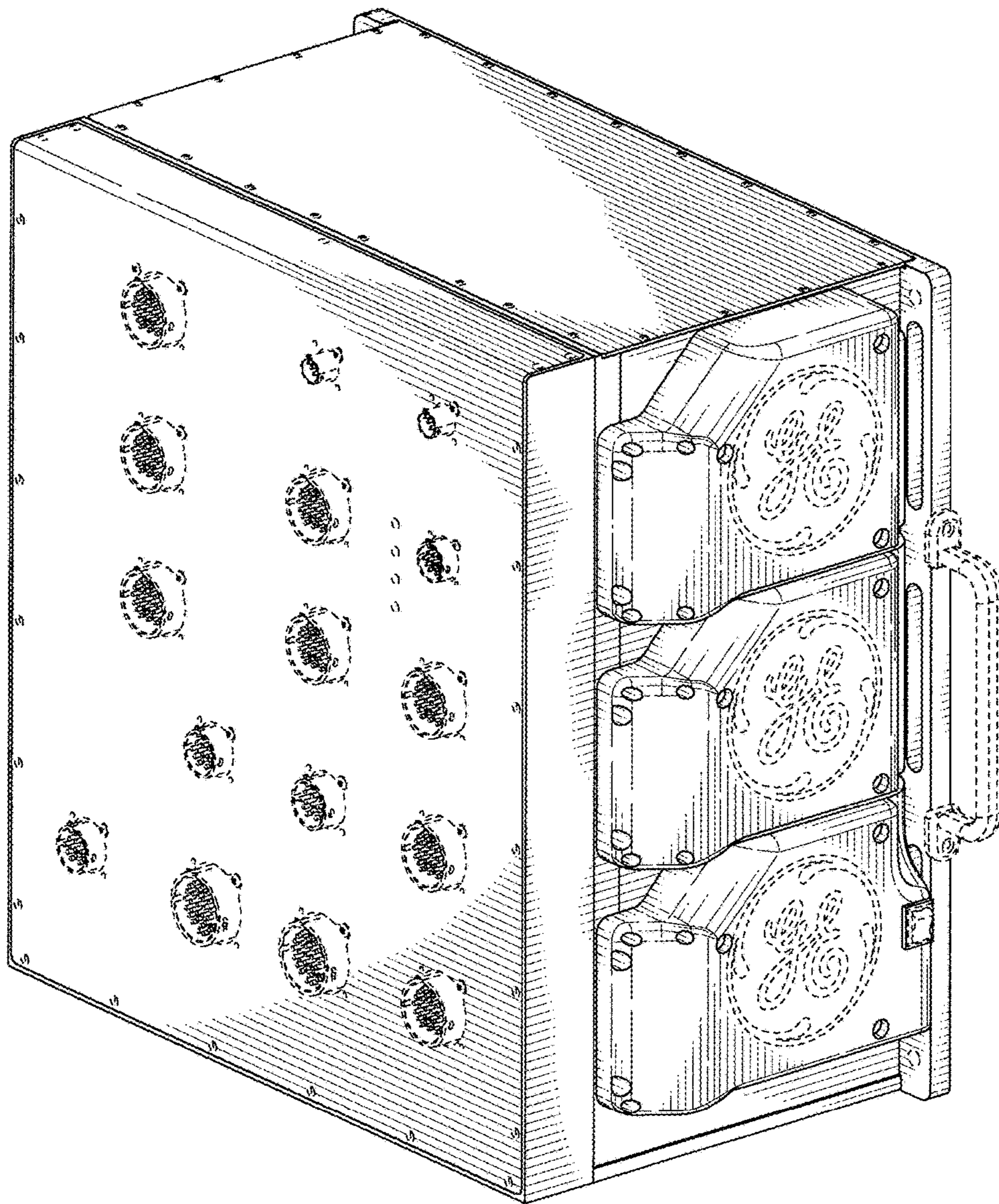


FIG. 1

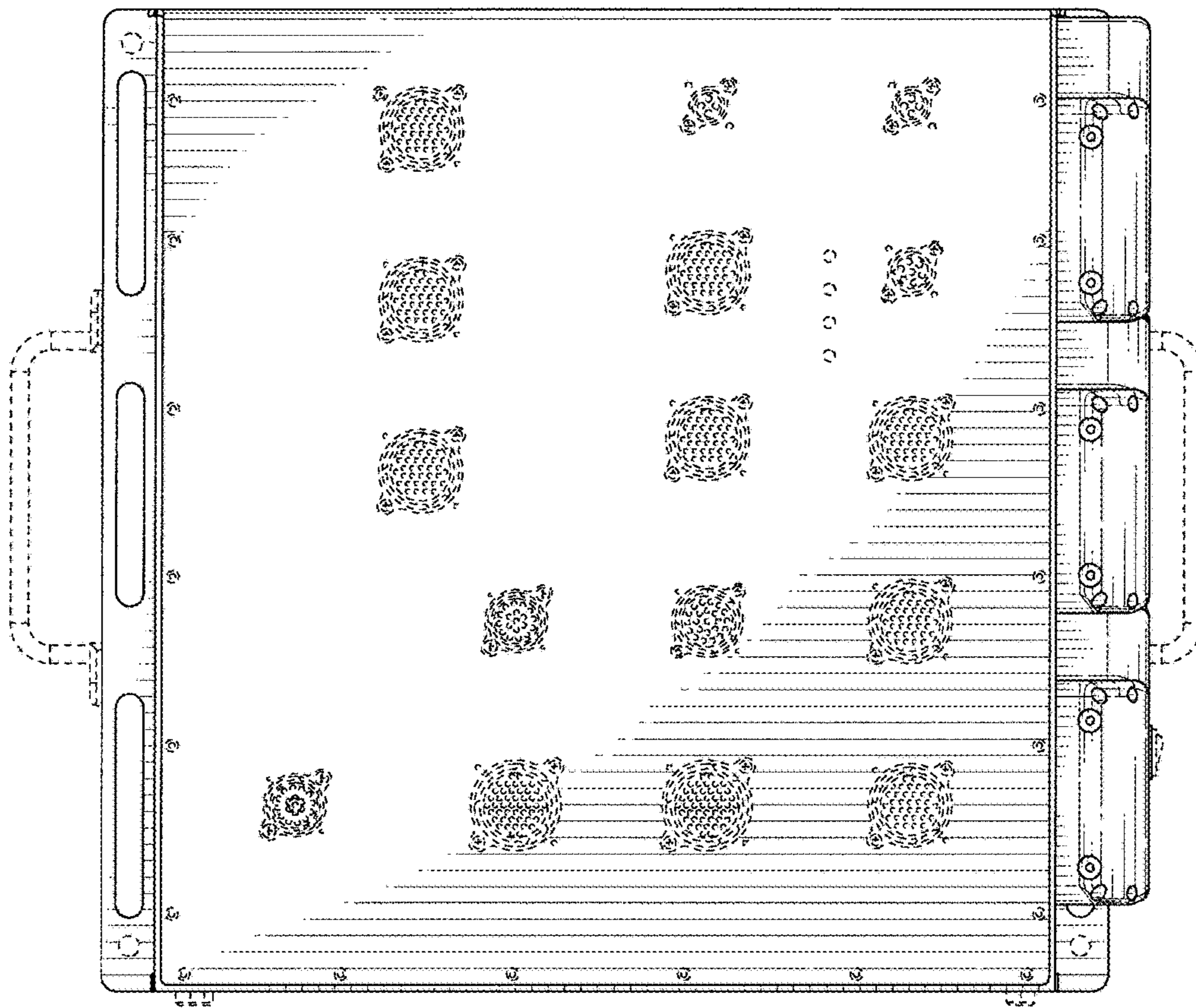


FIG. 2

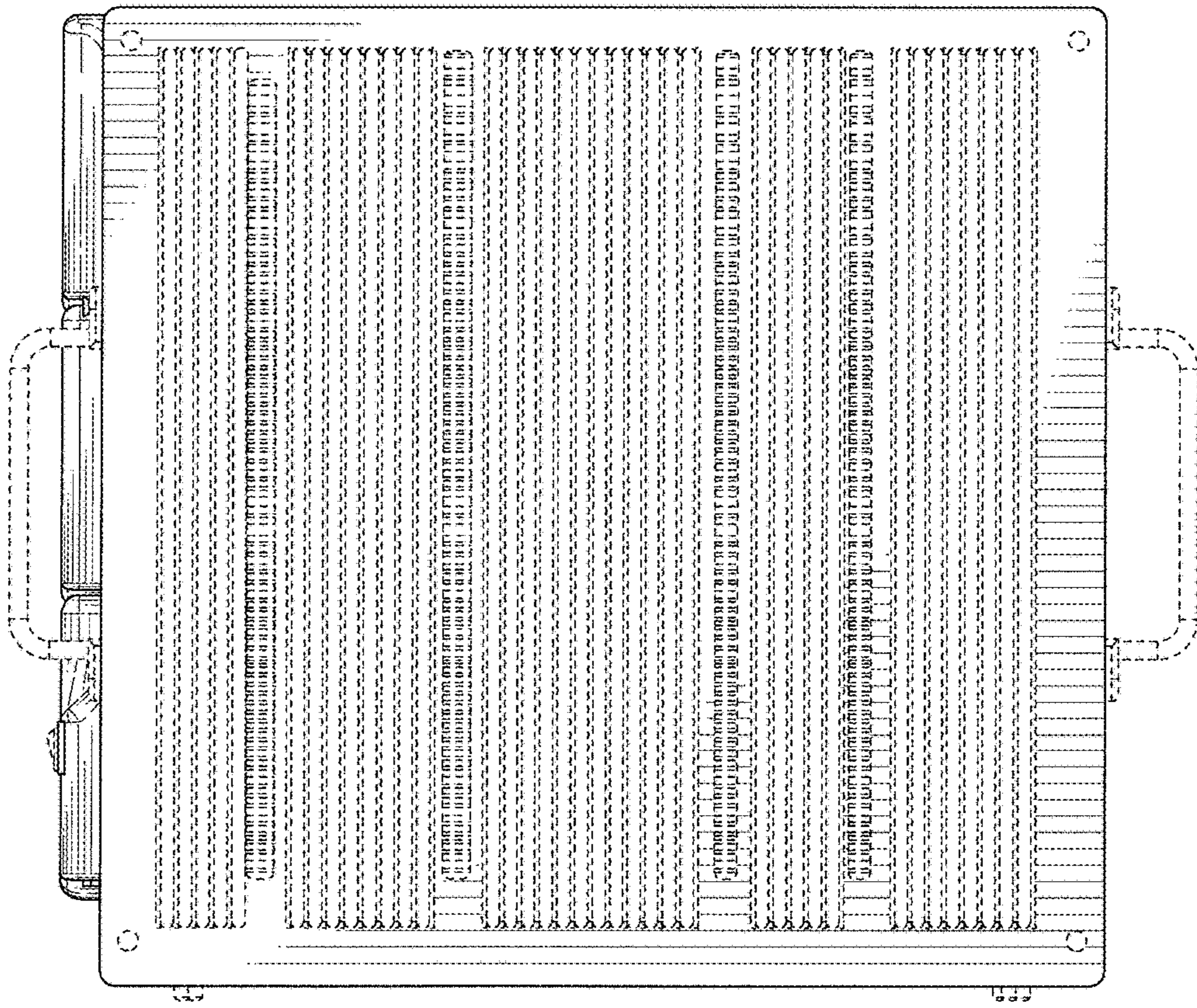


FIG. 3

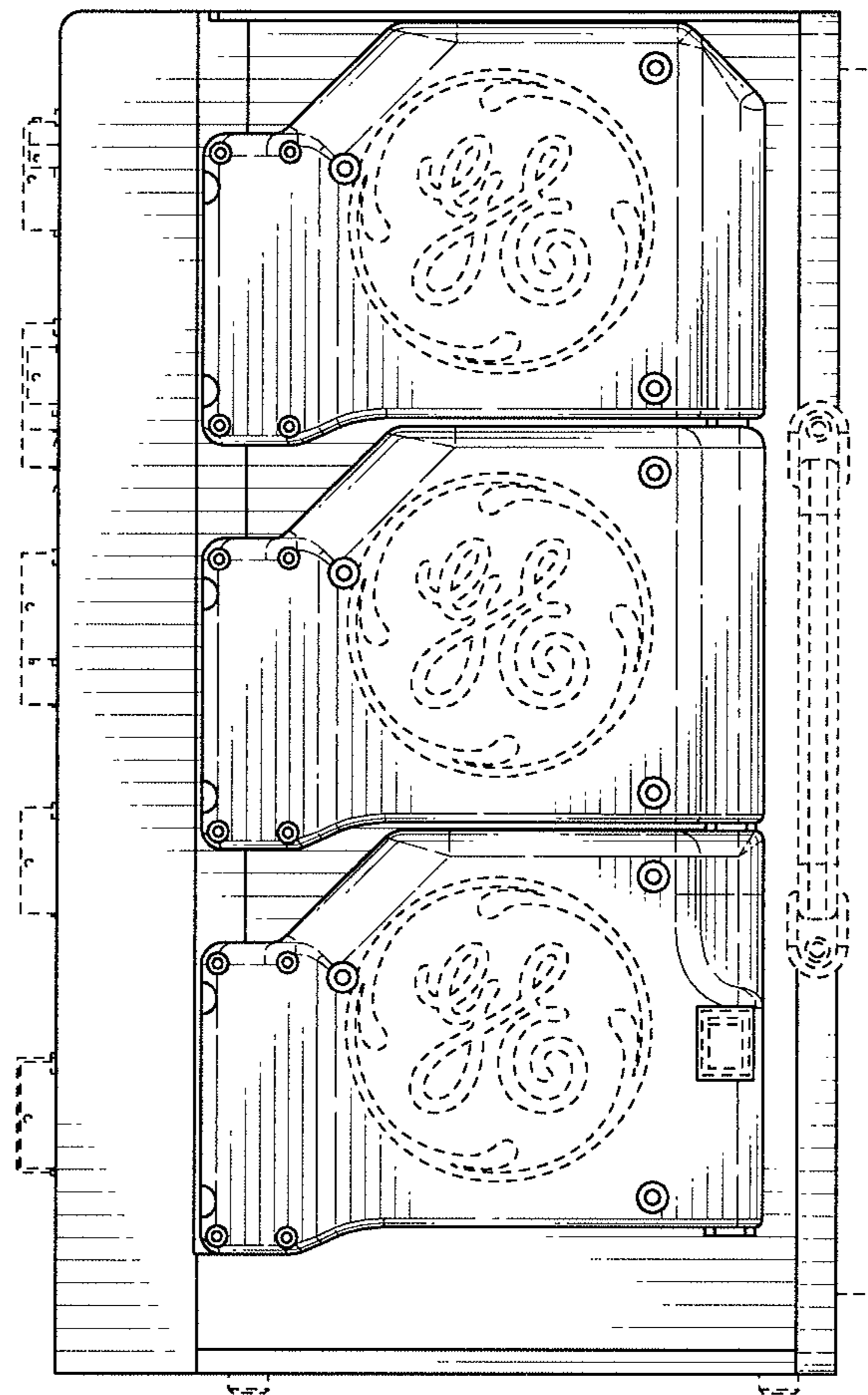


FIG. 4

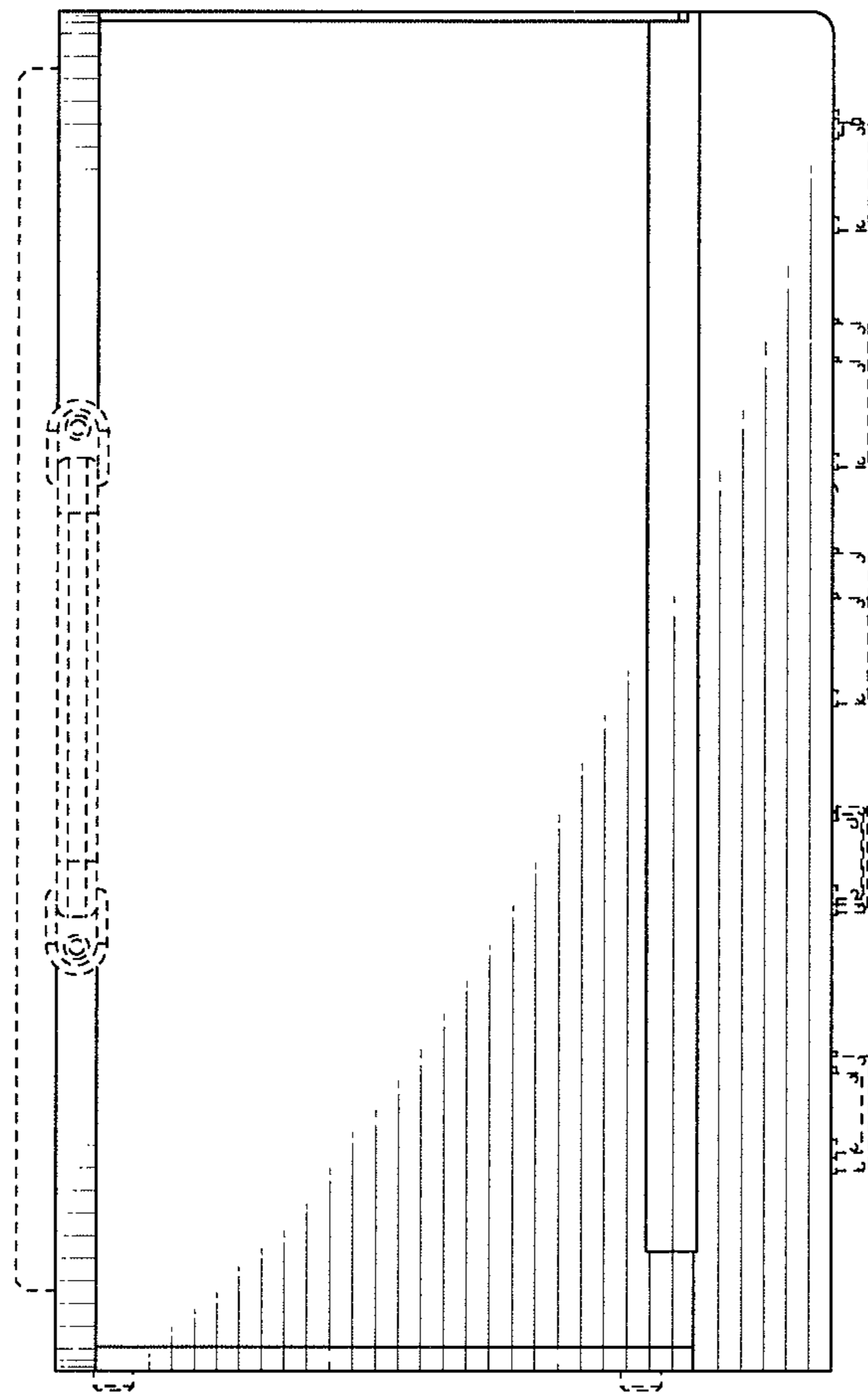


FIG. 5

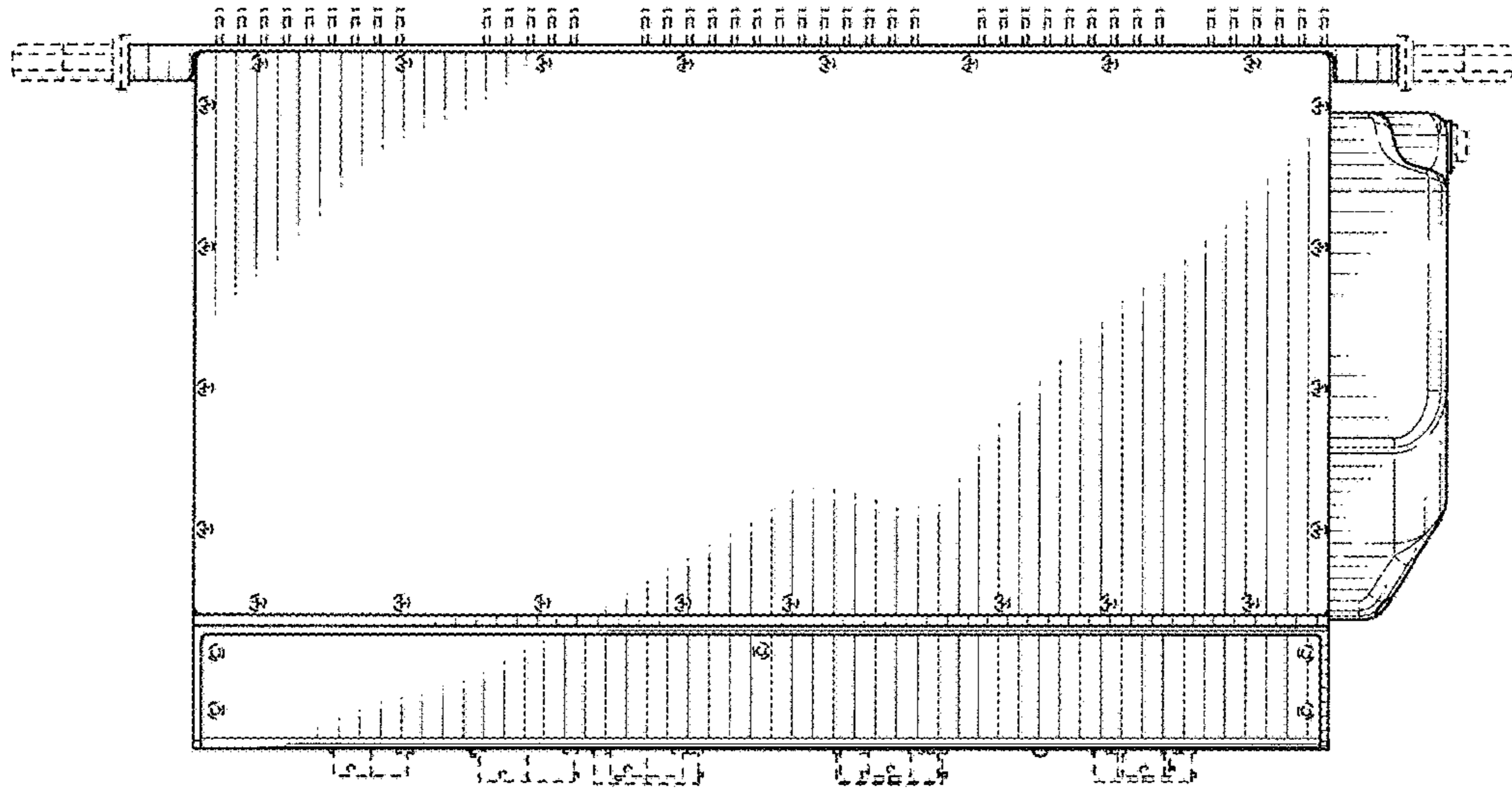


FIG. 6

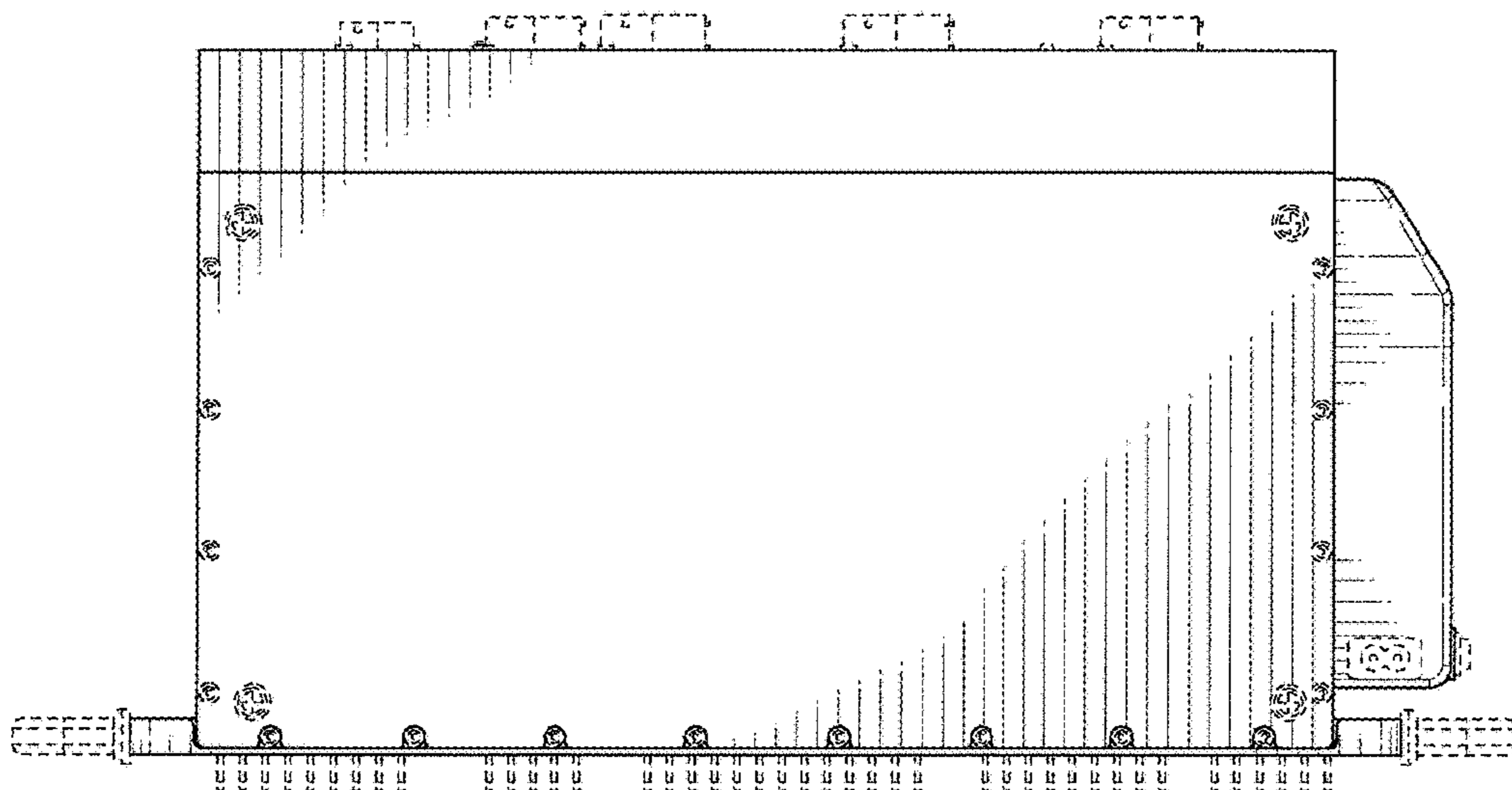


FIG. 7

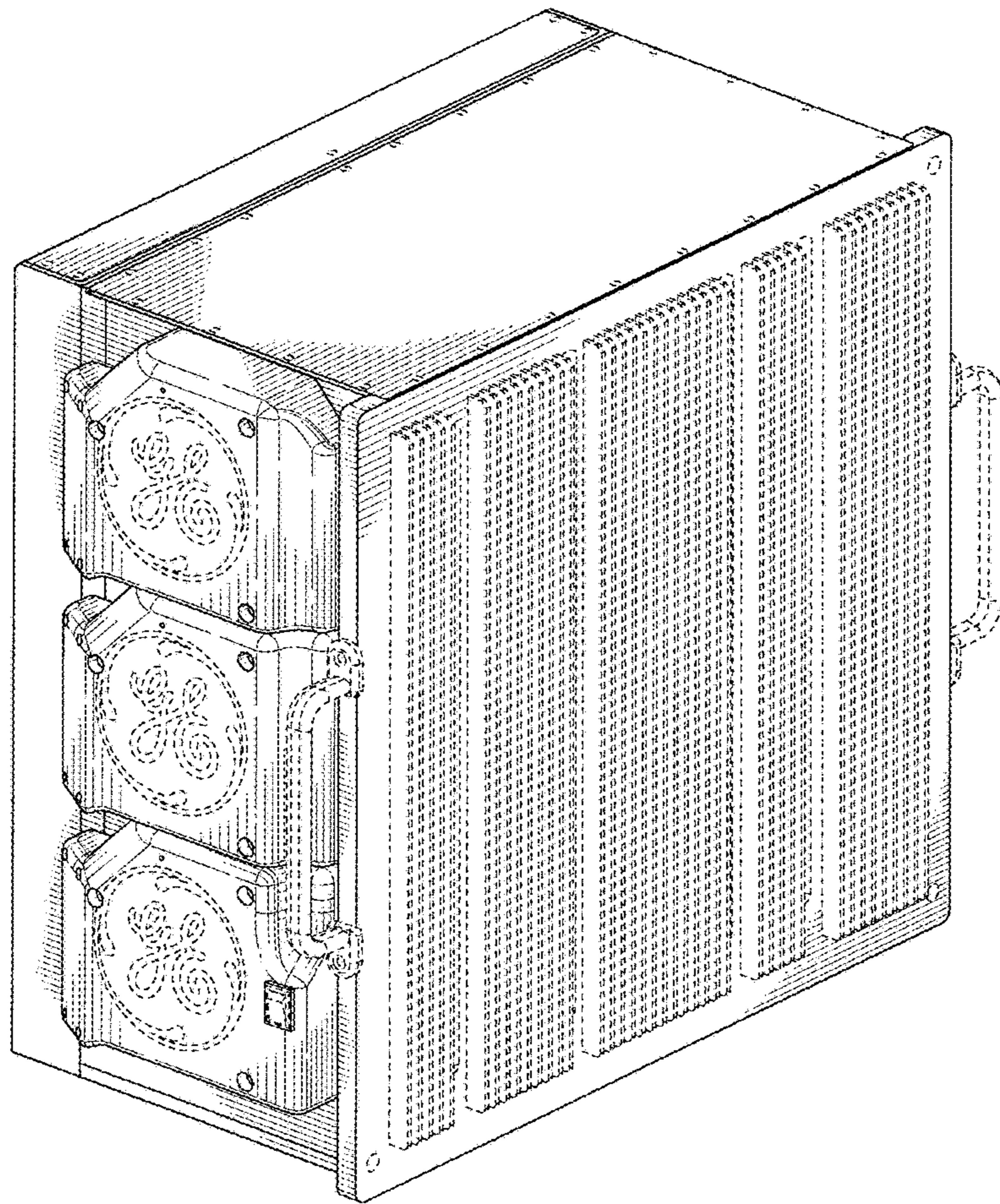


FIG. 8