

US00D802580S

(12) **United States Design Patent** (10) **Patent No.:** **US D802,580 S**  
**Smith et al.** (45) **Date of Patent:** **\*\* Nov. 14, 2017**

(54) **KIOSK SECTION**

(71) Applicant: **Adrian Smith + Gordon Gill Architecture LLP**, Chicago, IL (US)  
(72) Inventors: **Adrian Devaun Smith**, Lake Forest, IL (US); **Carlisle Gordon C. Gill**, Chicago, IL (US); **Robert John Forest**, Chicago, IL (US); **Miguel Thomas Alvarez**, Chicago, IL (US); **Marc Anthony Cerone**, Chicago, IL (US); **Matthew Michael Dumich**, Chicago, IL (US); **Christopher John Miller**, Chicago, IL (US)

(73) Assignee: **Adrian Smith + Gordon Gill Architecture LLP**, Chicago, IL (US)

(\*\*) Term: **15 Years**

(21) Appl. No.: **29/600,277**

(22) Filed: **Apr. 11, 2017**

**Related U.S. Application Data**

(62) Division of application No. 29/531,121, filed on Jun. 23, 2015, now Pat. No. Des. 786,855.

(51) **LOC (10) Cl.** ..... **14-02**

(52) **U.S. Cl.**  
USPC ..... **D14/307**

(58) **Field of Classification Search**  
USPC ..... D14/302-307, 900-902; D13/163; D20/10; D21/332, 325, 369, 370; D99/28; D6/397, 466; 194/206; 361/679.01, 679.02, 679.04, 679.21, 361/679.57, 725  
CPC ..... G06Q 20/18; G06Q 20/10; G06Q 20/123; G06Q 20/20; G06Q 30/02; G06Q 30/06; A47F 9/047  
See application file for complete search history.

(56) **References Cited**

U.S. PATENT DOCUMENTS

|              |         |                 |          |
|--------------|---------|-----------------|----------|
| D176,024 S   | 11/1955 | Klein           |          |
| 3,188,694 A  | 6/1965  | Hammar          |          |
| 3,762,112 A  | 10/1973 | Evans et al.    |          |
| D518,480 S * | 4/2006  | Zheng           | D14/307  |
| 7,326,355 B2 | 2/2008  | Graetz et al.   |          |
| D569,898 S * | 5/2008  | Masuda          | D18/4.5  |
| D585,943 S * | 2/2009  | Pymm            | D20/10   |
| D587,699 S * | 3/2009  | Corti           | D14/307  |
| D589,829 S * | 4/2009  | Friedli         | D10/108  |
| D613,391 S   | 4/2010  | Schwartz et al. |          |
| D671,535 S * | 11/2012 | Terashima       | D14/307  |
| D689,050 S * | 9/2013  | Chong           | D14/358  |
| D713,658 S * | 9/2014  | Tio             | D6/675   |
| D717,785 S * | 11/2014 | Winston         | D14/307  |
| D721,695 S * | 1/2015  | Birgeoglu       | D14/307  |
| D725,947 S * | 4/2015  | Tio             | D6/675.1 |
| D728,495 S   | 5/2015  | McManigal       |          |

(Continued)

*Primary Examiner* — Austin Murphy

(74) *Attorney, Agent, or Firm* — Neal, Gerber & Eisenberg LLP

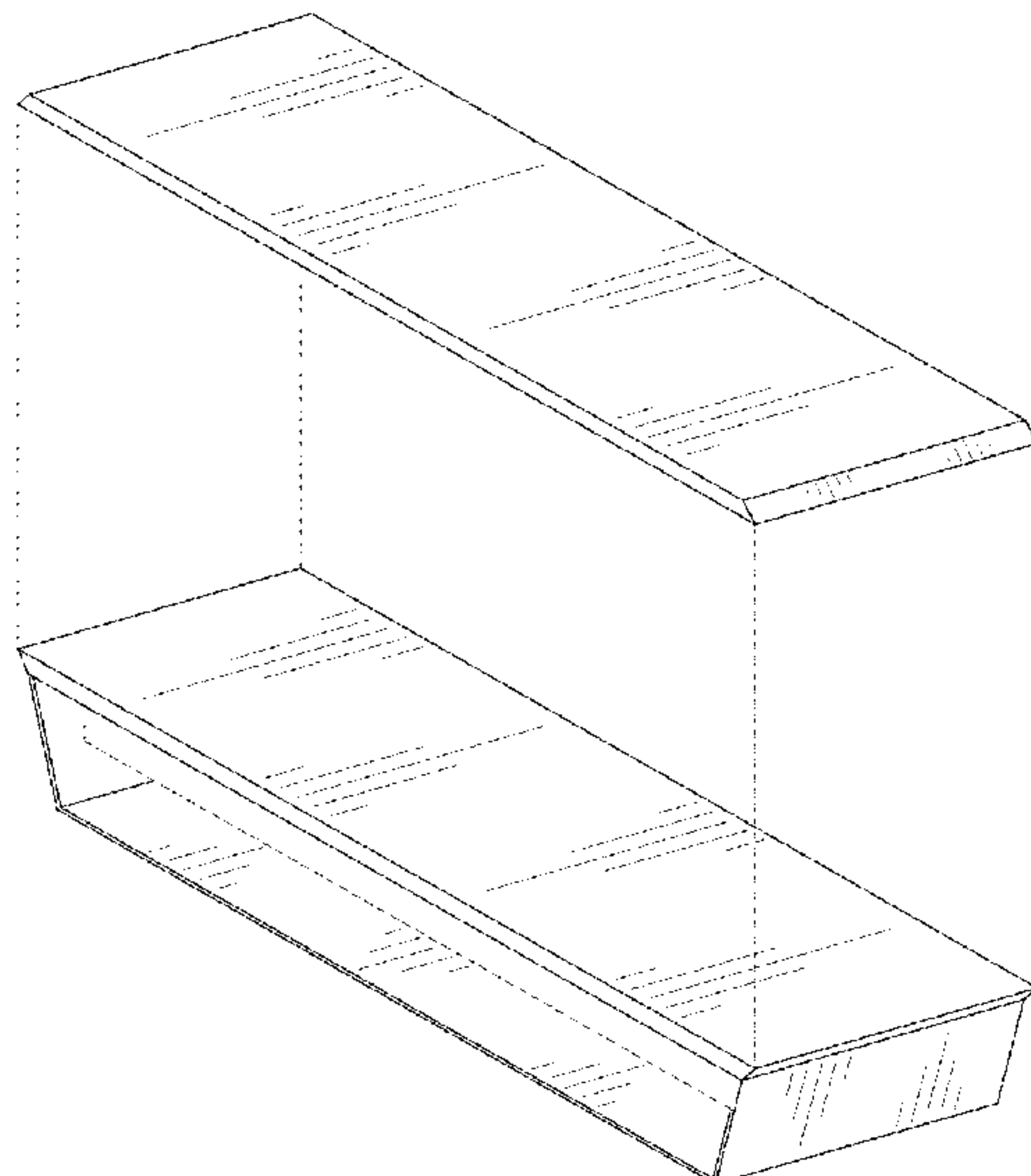
(57) **CLAIM**

An ornamental design for a kiosk section, as shown and described herein.

**DESCRIPTION**

FIG. 1 is a perspective view of the kiosk section of our new design.  
FIG. 2 is right side view of the kiosk section of FIG. 1.  
FIG. 3 is left side view of the kiosk section of FIG. 1.  
FIG. 4 is a front view of the kiosk section of FIG. 1.  
FIG. 5 is a rear view of the kiosk section of FIG. 1.  
FIG. 6 is a top view of the kiosk section of FIG. 1; and, FIG. 7 is a bottom view of the kiosk section of FIG. 1.  
Those portions shown in phantom do not form part of the design.

**1 Claim, 6 Drawing Sheets**



(56)

**References Cited**

U.S. PATENT DOCUMENTS

D732,522 S \* 6/2015 Chadbourne ..... D14/307  
D753,627 S \* 4/2016 Kim ..... D14/214  
D760,611 S \* 7/2016 Saari ..... D10/108  
D770,203 S \* 11/2016 Thaler ..... D6/673  
D776,651 S \* 1/2017 Yates ..... D14/307  
D779,240 S \* 2/2017 Tio ..... D6/675  
D781,273 S 3/2017 Nuk et al.  
D782,467 S \* 3/2017 Bladwell ..... D14/307  
D786,855 S \* 5/2017 Smith ..... D14/307  
D789,337 S \* 6/2017 Nuk ..... D14/240  
D790,260 S \* 6/2017 Tio ..... D6/675  
D792,388 S \* 7/2017 Taylor ..... D14/307  
D795,858 S \* 8/2017 Lulita ..... D14/307  
D796,234 S \* 9/2017 Thaler ..... D6/675  
2002/0189173 A1 12/2002 Staschik

\* cited by examiner

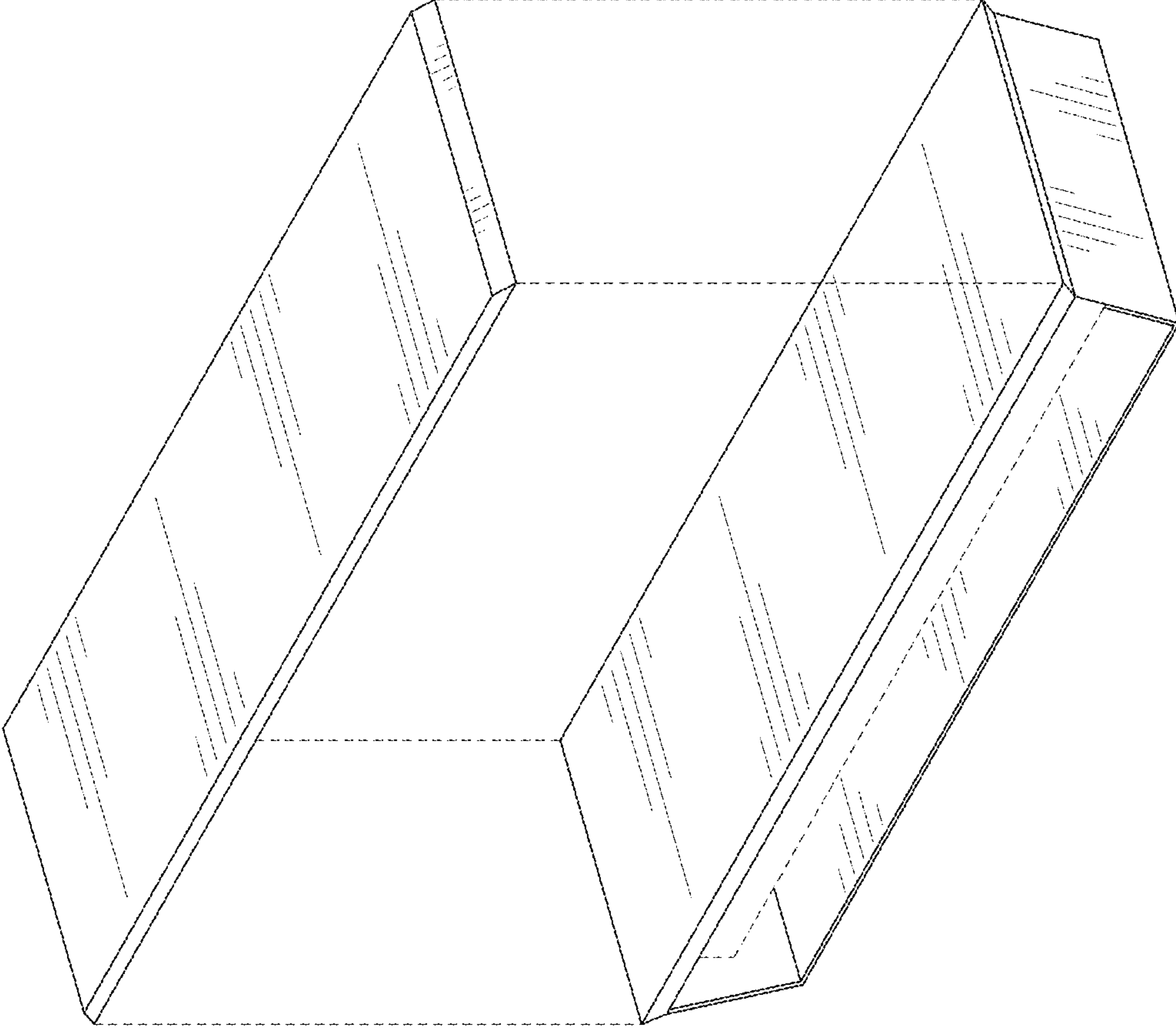


FIG. 1

FIG. 2

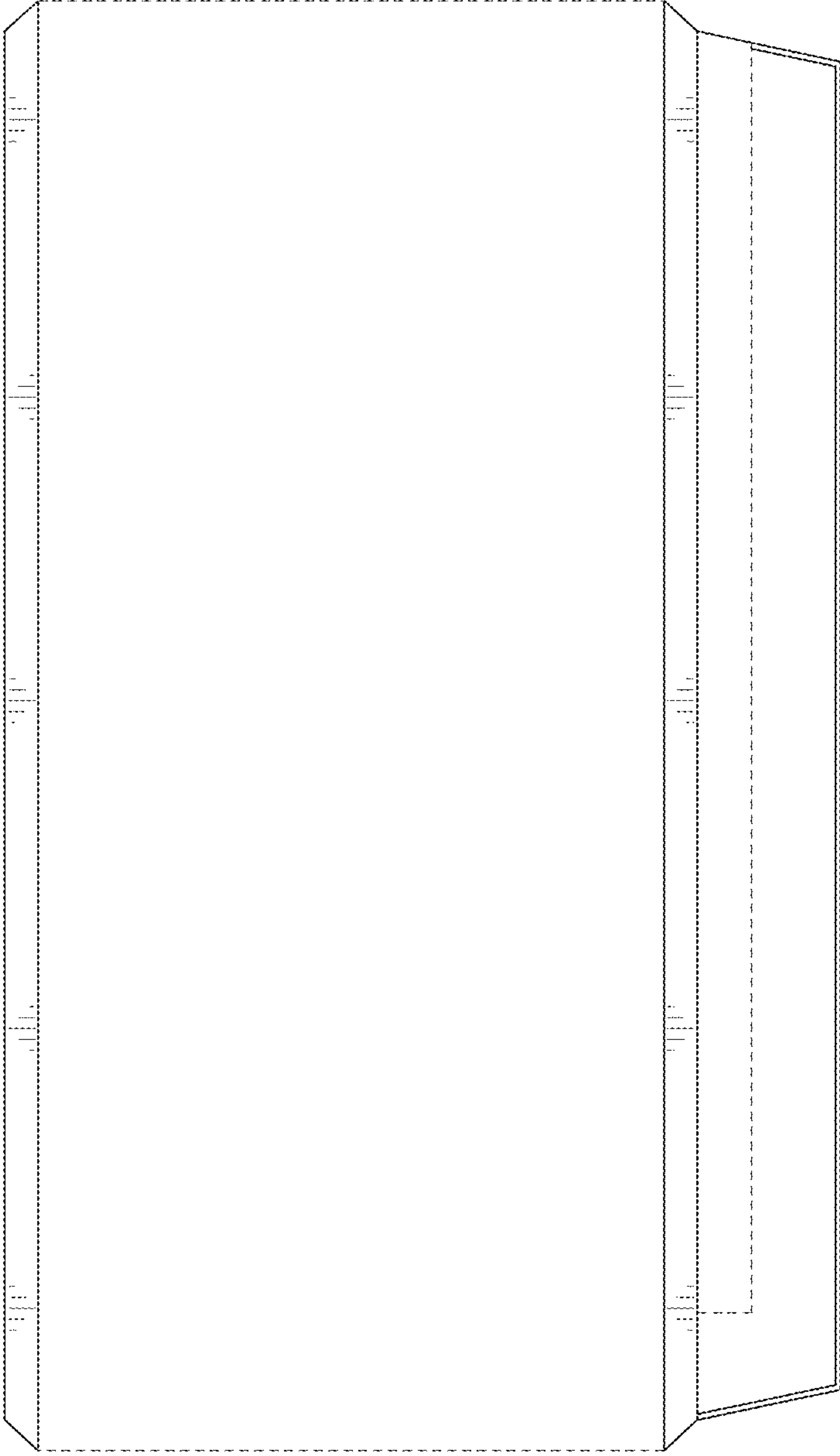


FIG. 3

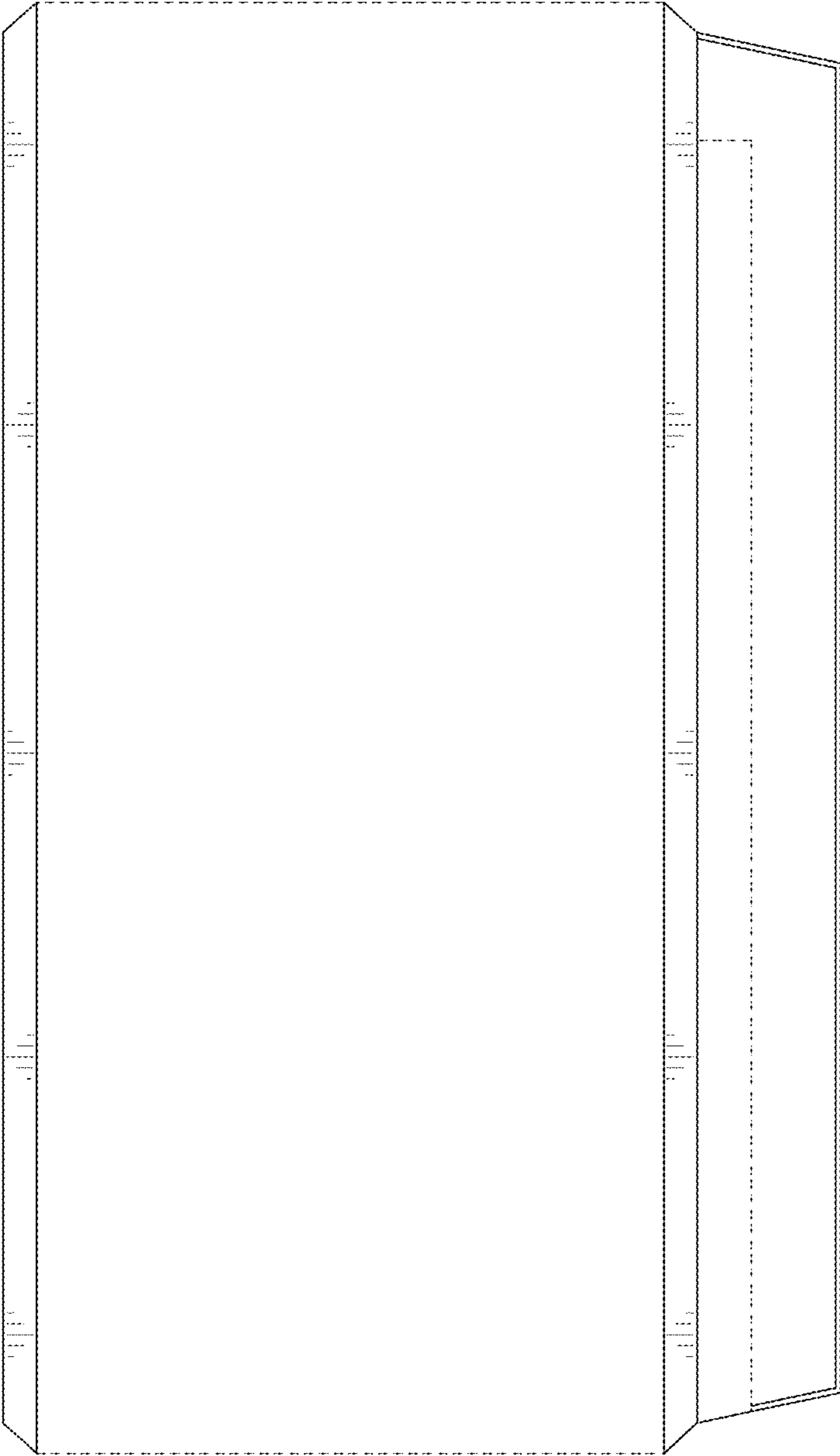


FIG. 5



FIG. 4



FIG. 6

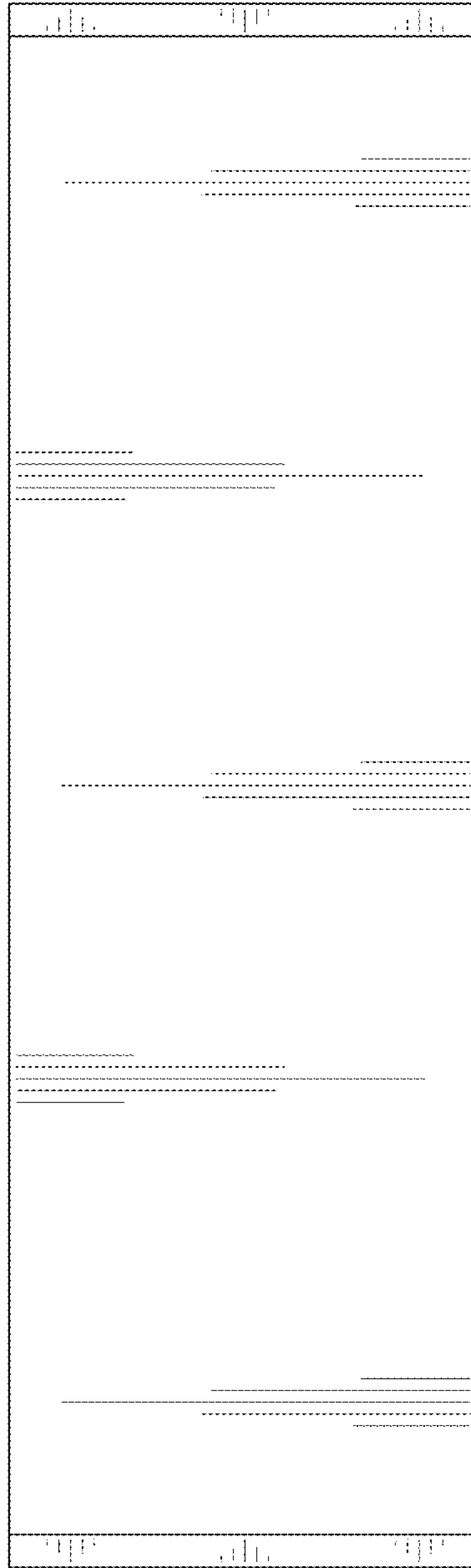


FIG. 7

