

US00D802578S

(12) **United States Design Patent** (10) **Patent No.:** **US D802,578 S**  
**Somoano** (45) **Date of Patent:** **\*\* Nov. 14, 2017**

(54) **TRIPOD** 6,752,541 B1 \* 6/2004 Dykyj ..... F16M 13/00  
248/123.11  
(71) Applicant: **Alberto Rene Somoano**, Miramar, FL D669,065 S \* 10/2012 Fromm ..... D14/253  
(US) D716,777 S \* 11/2014 Kim ..... D14/239  
9,213,220 B2 \* 12/2015 Fowler ..... G03B 17/56  
(72) Inventor: **Alberto Rene Somoano**, Miramar, FL D761,782 S \* 7/2016 Kitching ..... D14/253  
(US) 9,618,829 B2 \* 4/2017 Silva ..... F16M 13/00  
2007/0122141 A1 \* 5/2007 Agevik ..... G03B 17/561  
396/419  
(\*\*) Term: **15 Years** 2015/0362122 A1 \* 12/2015 Brown ..... F16M 13/00  
348/208.2

(21) Appl. No.: **29/541,419**

\* cited by examiner

(22) Filed: **Oct. 2, 2015**

*Primary Examiner* — Susan Bennett Hattan

(51) **LOC (10) Cl.** ..... **14-03**

*Assistant Examiner* — Brett Miller

(52) **U.S. Cl.**  
USPC ..... **D14/253**

(57) **CLAIM**

(58) **Field of Classification Search**  
USPC ..... D14/242–245, 237, 415, 452, 434, 238,  
D14/239, 253, 447, 209.1; D6/310–314;  
396/428  
CPC .... G03B 17/56; G03B 17/561; G03B 17/566;  
F16M 13/00; A45F 2200/0516  
See application file for complete search history.

The ornamental design for a tripod, as shown and described.

**DESCRIPTION**

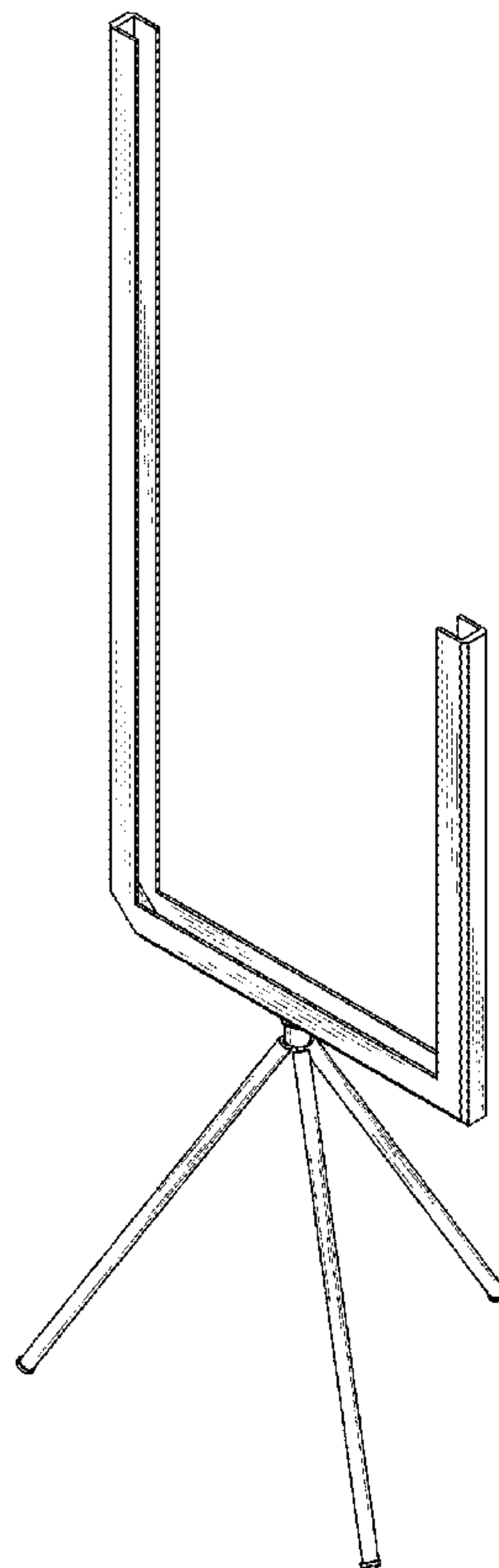
(56) **References Cited**

FIG. 1 is a front top perspective view of a tripod showing of my new design;  
FIG. 2 is a front bottom perspective view thereof;  
FIG. 3 is a top plan view thereof;  
FIG. 4 is a bottom plan view thereof;  
FIG. 5 is a left-side elevational view thereof;  
FIG. 6 is a right-side elevational view thereof;  
FIG. 7 is a front elevational view thereof; and,  
FIG. 8 is a rear elevational view thereof.

U.S. PATENT DOCUMENTS

4,771,300 A \* 9/1988 Bryan ..... G03B 15/06  
359/839  
D444,634 S \* 7/2001 Dodson ..... D6/312

**1 Claim, 8 Drawing Sheets**



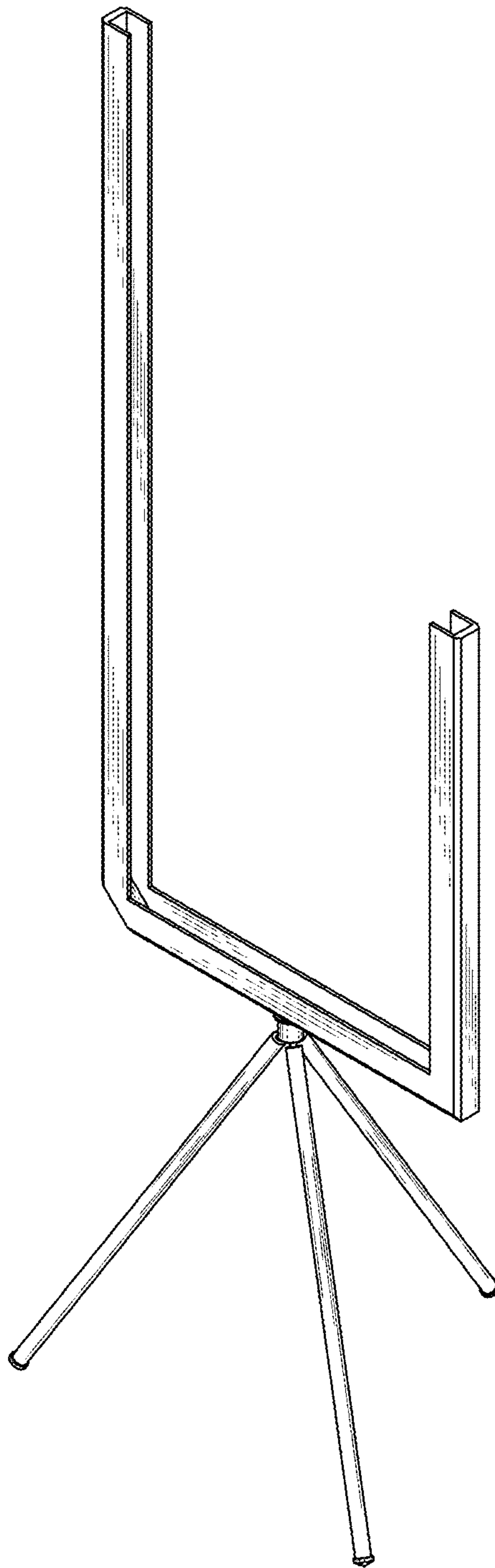


FIG. 1

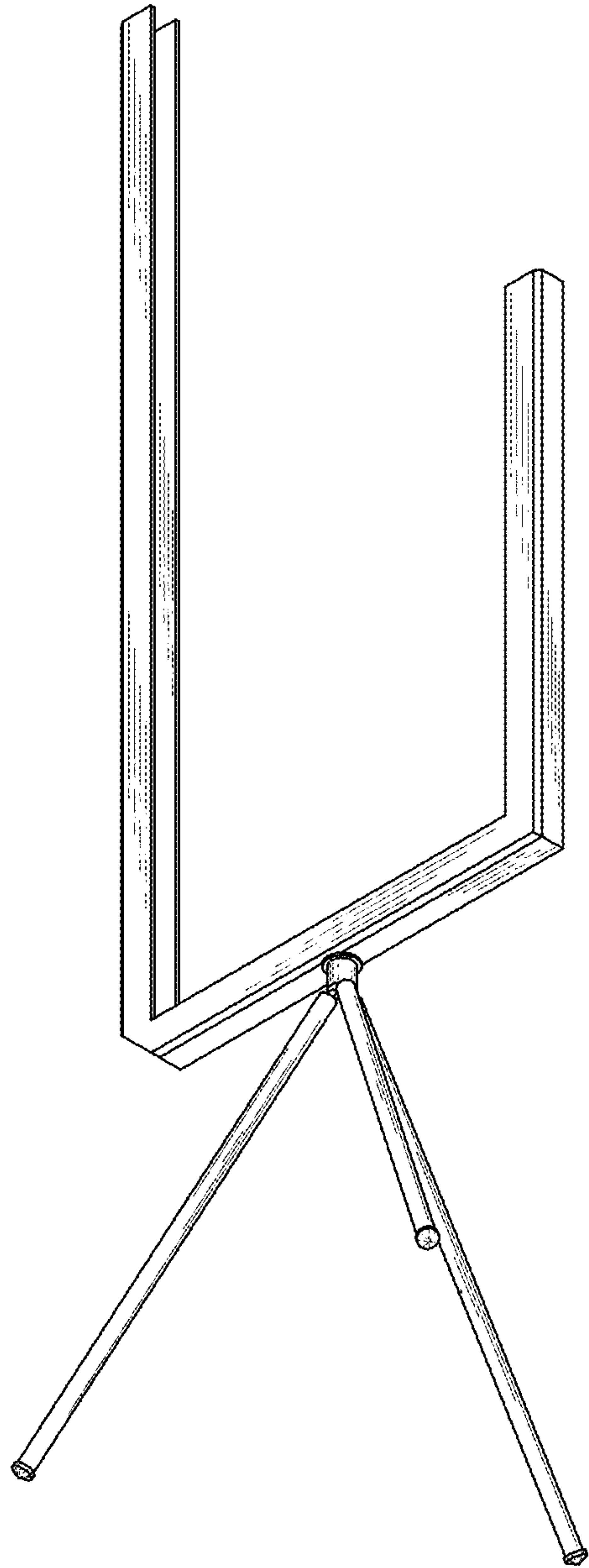


FIG. 2

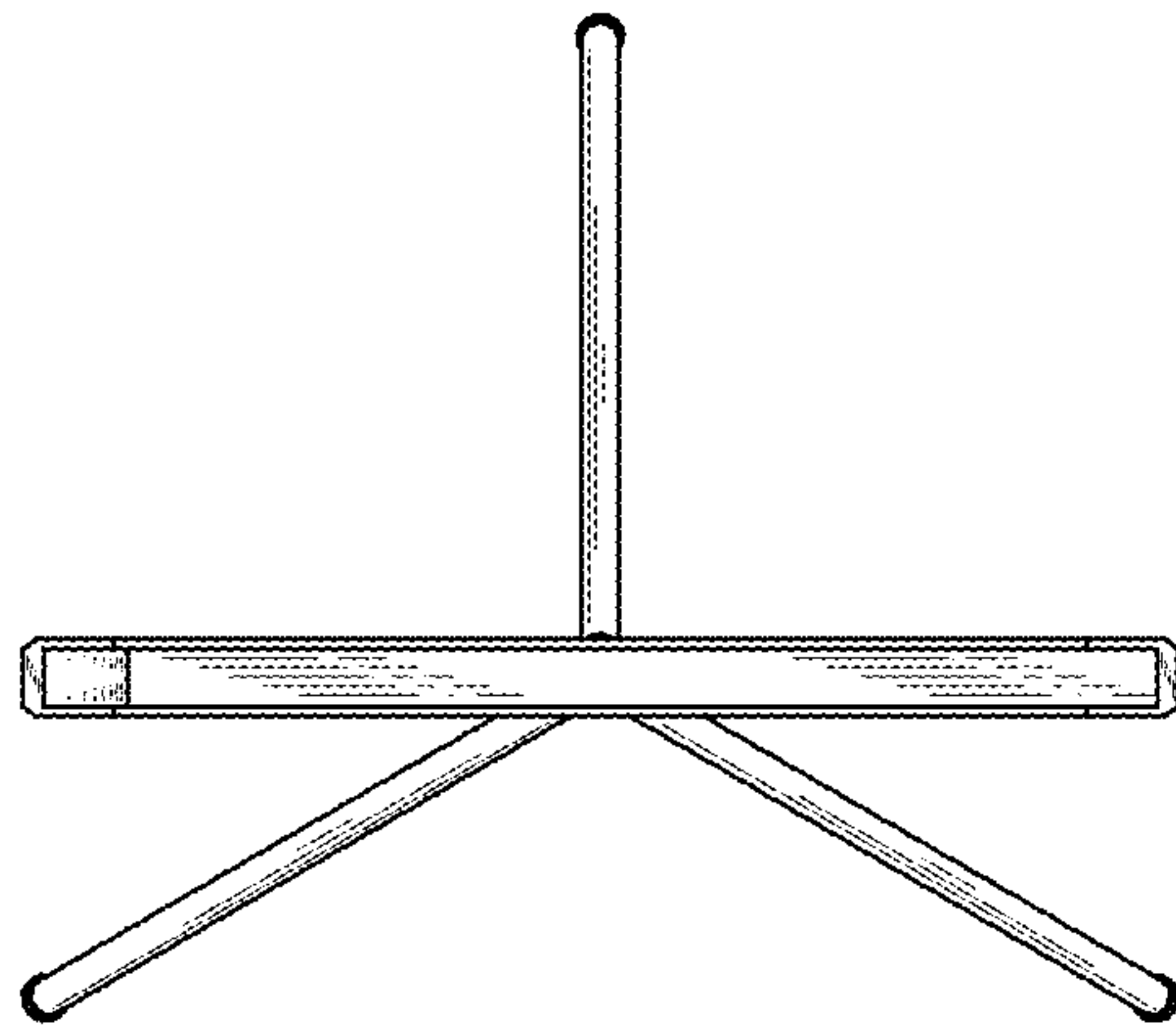


FIG. 3

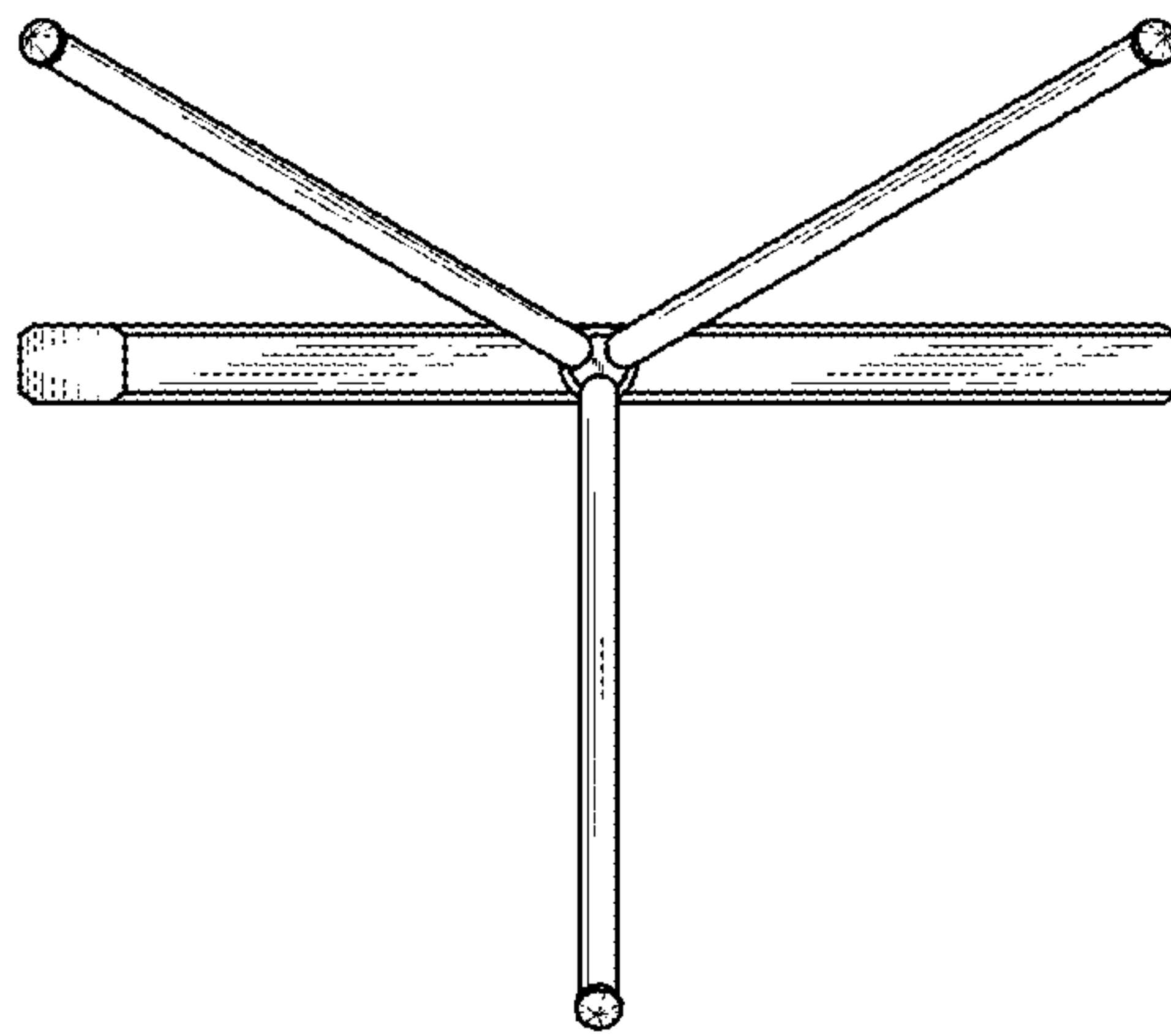


FIG. 4

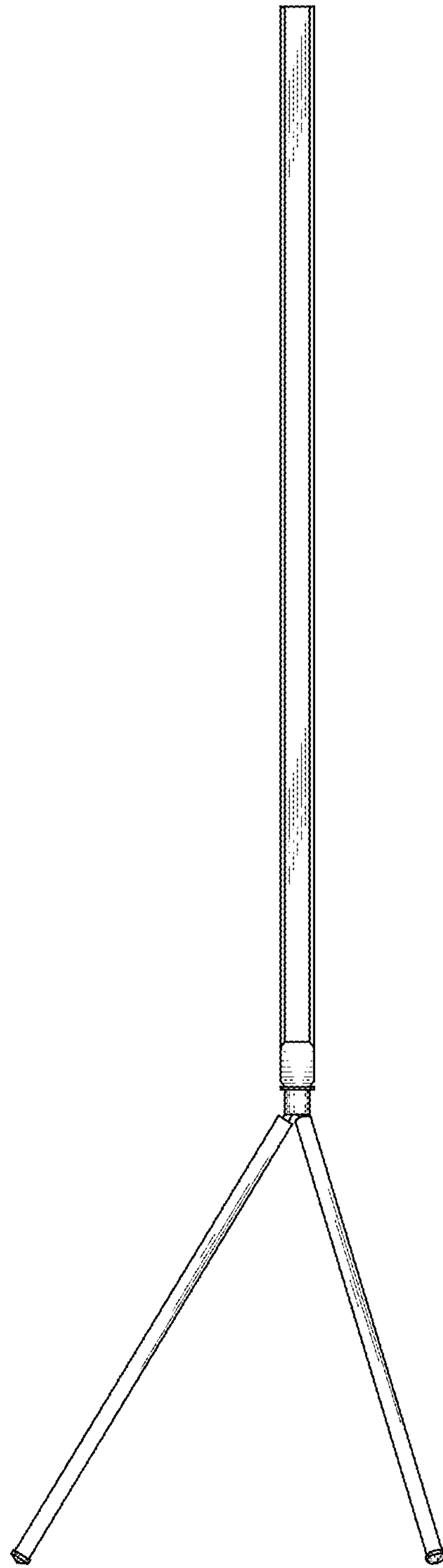


FIG. 5

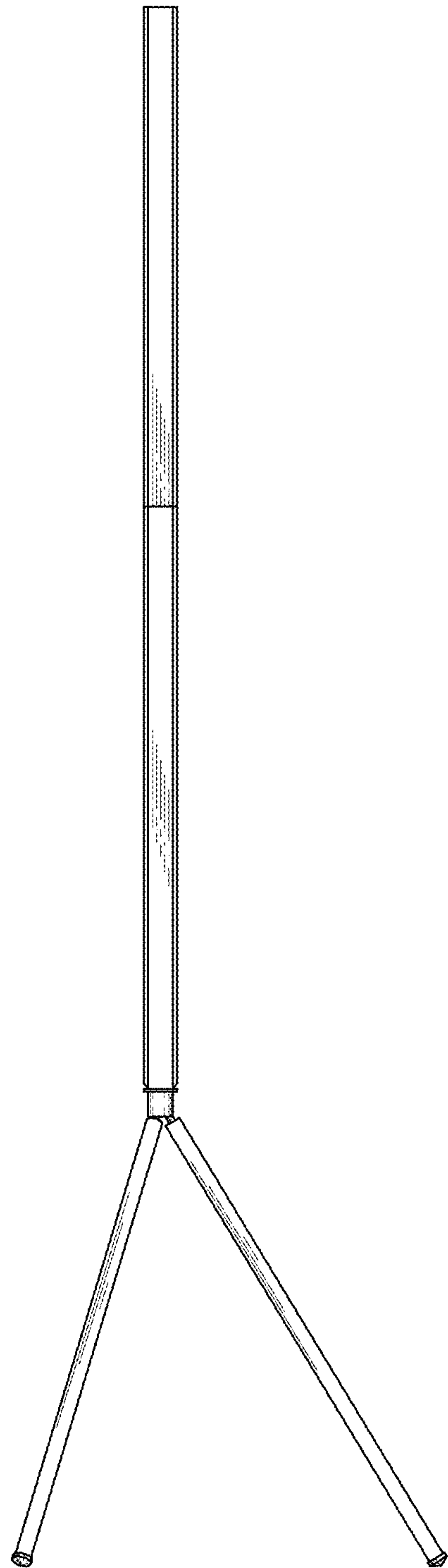


FIG. 6

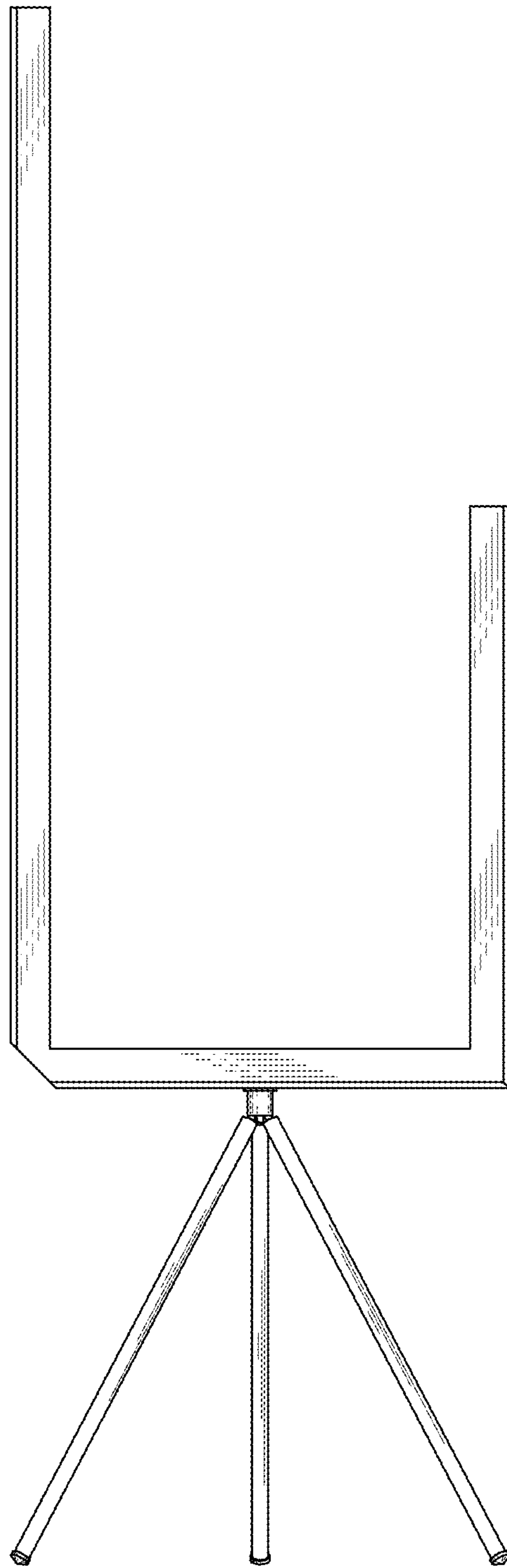


FIG. 7



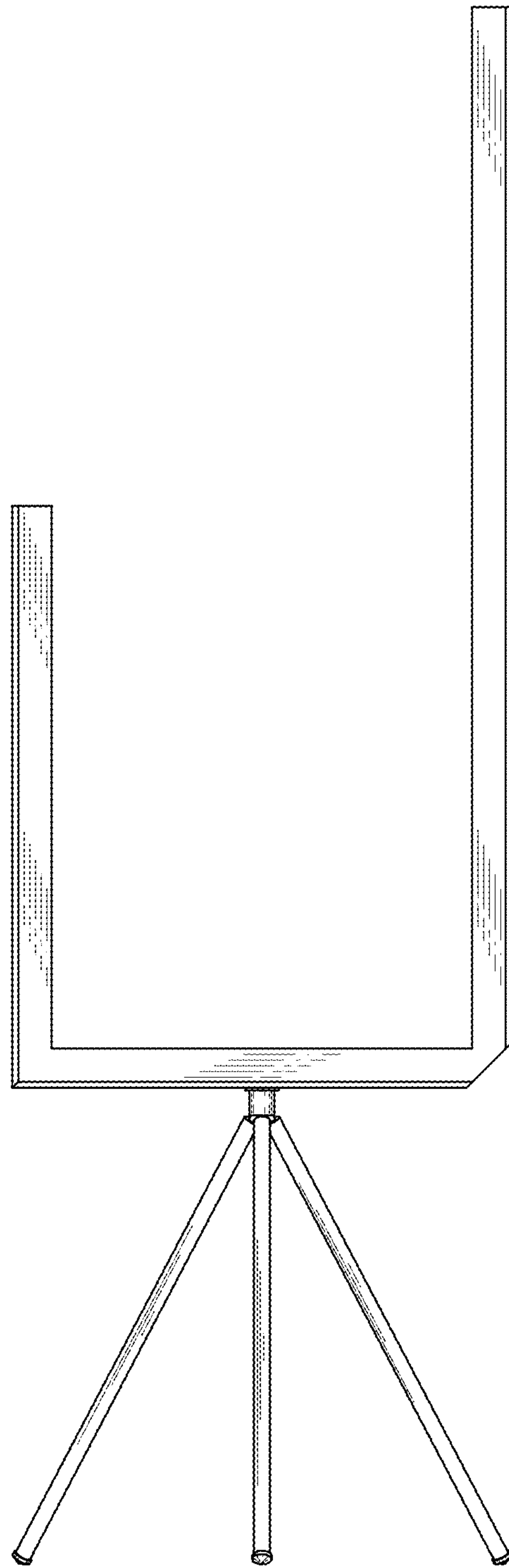


FIG. 8