



US00D802574S

(12) **United States Design Patent** (10) **Patent No.:** **US D802,574 S**
Kim (45) **Date of Patent:** **** *Nov. 14, 2017**

(54) **CASE FOR ELECTRONIC DEVICE**

8,681,491 B1 * 3/2014 Cruz A45C 11/00
248/351

(71) Applicant: **Spigen Korea Co., LTD.**, Seoul (KR)

D703,652 S 4/2014 Melanson
D703,655 S 4/2014 Melanson

(72) Inventor: **Dae-Young Kim**, Seoul (KR)

(Continued)

(73) Assignee: **SPIGEN KOREA Co., LTD.**,
Geumcheon-Gu, Seoul (KR)

OTHER PUBLICATIONS

(*) Notice: This patent is subject to a terminal disclaimer.

“iPhone SE/5s/5/TONE”, <https://www.switcheasy.com/iphone-se5s5/24-tones>, Downloaded Jun. 13, 2016, 4 pages.

(Continued)

(**) Term: **15 Years**

Primary Examiner — Sandra Snapp

Assistant Examiner — Holly E Thurman

(21) Appl. No.: **29/572,970**

(74) *Attorney, Agent, or Firm* — East West Law Group;

Heedong Chae

(22) Filed: **Aug. 1, 2016**

(57) **CLAIM**

Related U.S. Application Data

The ornamental design for a case for an electronic device, as shown and described.

(63) Continuation of application No. 29/495,236, filed on Jun. 27, 2014, now Pat. No. Des. 771,607.

DESCRIPTION

(51) **LOC (10) Cl.** **14-01**

(52) **U.S. Cl.**
USPC **D14/250**

(58) **Field of Classification Search**
USPC D14/250–253, 440, 203.3–203.7, 217,
D14/496, 248, 238.1, 240, 447, 230, 247,
D14/341, 345, 346, 439; D3/201, 218,
D3/269, 301, 273, 303; D13/103,
D13/107–108

FIG. 1 is a front perspective view of a case for an electronic device showing my new design;

FIG. 2 is another front perspective view thereof;

FIG. 3 is a rear perspective view thereof;

FIG. 4 is a front elevational view thereof;

FIG. 5 is a rear elevational view thereof;

FIG. 6 is a left side elevational view thereof;

FIG. 7 is a right side elevational view thereof;

FIG. 8 is a top plan view thereof;

FIG. 9 is a bottom plan view thereof;

FIG. 10 is a front perspective exploded view of the case with the electronic device separately;

FIG. 11 is a rear perspective exploded view thereof;

FIG. 12 is a front perspective view of the case with the electronic device therein; and,

FIG. 13 is a rear perspective view thereof.

The broken lines depict unclaimed environment and form no part of the claimed design.

CPC . A45C 2011/002; A45C 11/00; A45C 13/002;
A45C 2011/003; H04M 1/0283; H04M
1/0202; H04M 1/185; H04B 1/3888

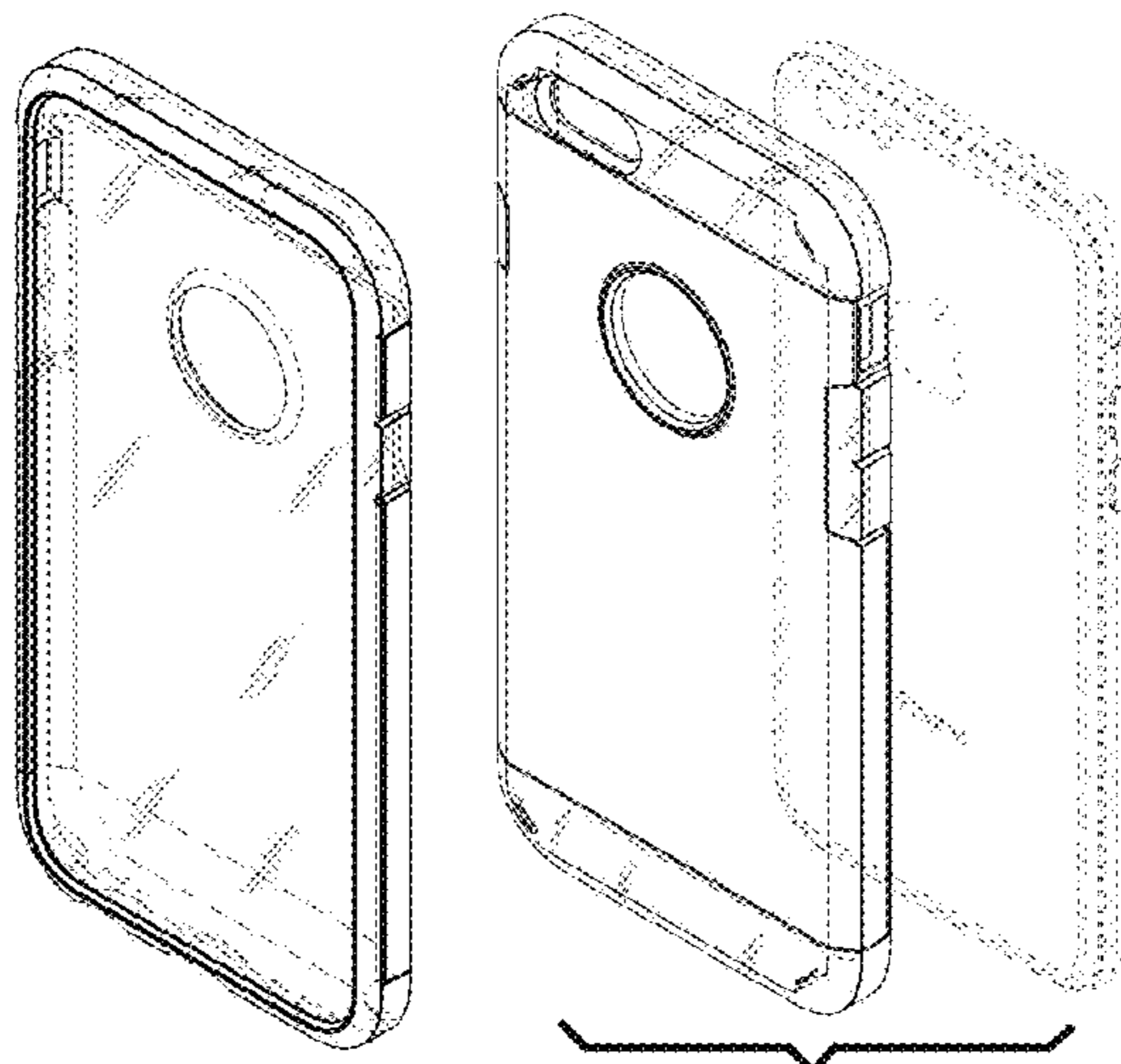
See application file for complete search history.

(56) **References Cited**

U.S. PATENT DOCUMENTS

D657,782 S 4/2012 Biller
D671,930 S * 12/2012 Akana D14/250
D689,852 S * 9/2013 Azoulay D14/250
D692,878 S * 11/2013 Akana D14/341

1 Claim, 13 Drawing Sheets



(56)

References Cited

U.S. PATENT DOCUMENTS

D706,255 S * 6/2014 Akana D14/250
 D714,274 S * 9/2014 Jung D14/250
 D714,276 S * 9/2014 Hu D14/250
 D732,498 S 6/2015 Huang
 D736,205 S 8/2015 Park
 D739,391 S 9/2015 Chen
 D741,279 S 10/2015 Tai
 D741,844 S 10/2015 Rayner
 D741,845 S 10/2015 Kim
 D743,389 S 11/2015 Akana
 D743,931 S 11/2015 Hubbard
 D744,471 S 12/2015 Fitzgerald
 D746,275 S 12/2015 Mohammad
 D746,805 S 1/2016 Kim
 D747,306 S 1/2016 Kim
 D748,614 S 2/2016 Ju
 D749,563 S 2/2016 Akana
 D749,567 S 2/2016 Lee
 D749,591 S 2/2016 Akana
 9,247,795 B2 2/2016 Kim
 D752,037 S 3/2016 Akana
 9,295,174 B2 3/2016 Witter
 9,300,768 B1 3/2016 Dining et al.
 9,301,414 B2 3/2016 Chao
 D753,099 S 4/2016 Kim
 D753,641 S 4/2016 Roberts
 D754,651 S 4/2016 Roberts
 D754,652 S 4/2016 Robert

D756,343 S 5/2016 Wall et al.
 D756,947 S * 5/2016 Walliser D14/138 G
 D761,239 S * 7/2016 Kim D14/250
 D765,633 S 9/2016 Northrup et al.
 D765,635 S 9/2016 Chang et al.
 D765,644 S * 9/2016 Witter D14/250
 D771,028 S * 11/2016 Kim D14/250
 D771,607 S * 11/2016 Kim D14/250
 D771,608 S * 11/2016 Kim D14/250
 D772,209 S * 11/2016 Kim D14/250
 D775,620 S * 1/2017 Kim D14/250
 2014/0146441 A1 * 5/2014 Hautamaki H04M 1/0262
 361/679.01
 2014/0284096 A1 9/2014 Wu
 2015/0194997 A1 * 7/2015 Johnson H04B 1/3888
 455/575.8

OTHER PUBLICATIONS

“Lunatik SMK5-001 Seismik Touch Suspension Frame for iPhone 5/iPhone 5S—Retail Packaging—Black/Smoke”, https://www.amazon.com/Lunatik-SMK5-001-Seismik-Suspension-iPhone/dp/B00BF780QS?ie=UTF8&*Version*=1&*entries*=0, Downloaded Jun. 13, 2016, 8 pages.
 “iPhone 5S/5 Case Slim Armor”, <http://www.spigen.com/products/iphone-5s-5-case-slim-armor-s?variant=1162051877>, Downloaded Jun. 13, 2016, 4 pages.

* cited by examiner

FIG. 1

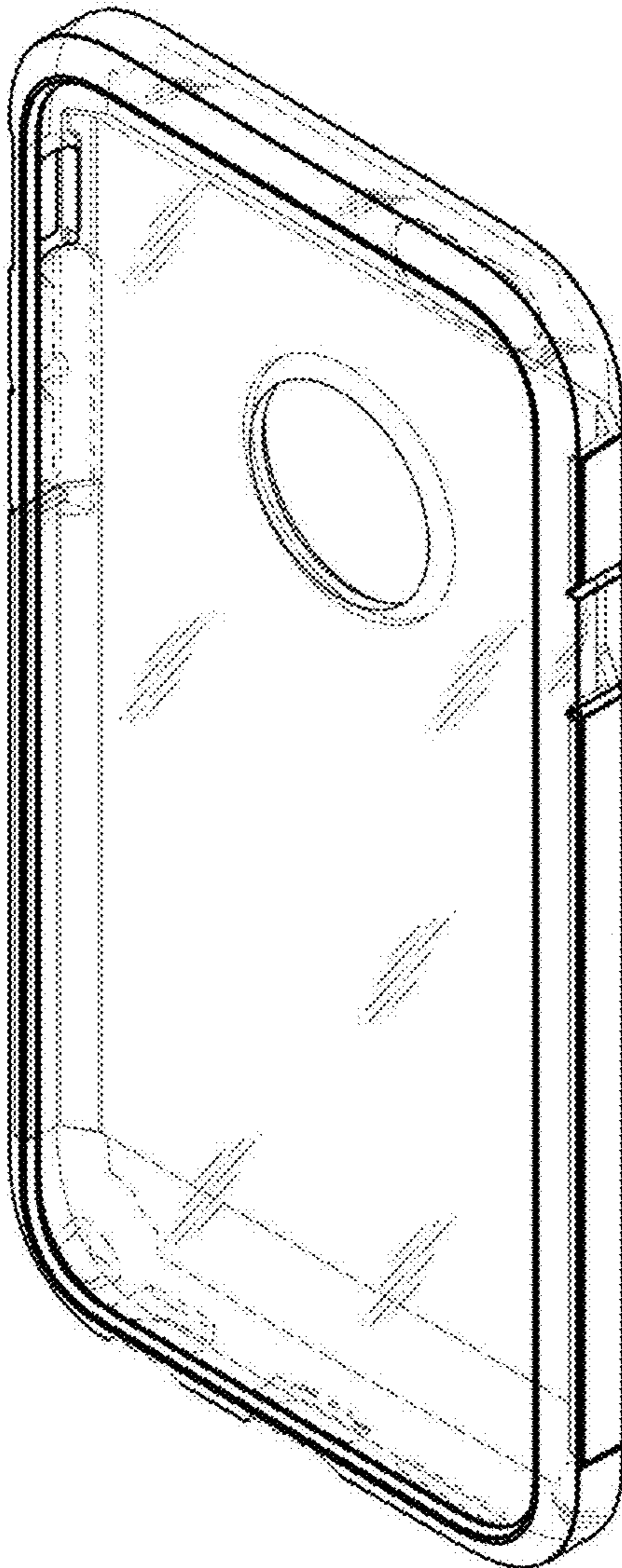


FIG. 2

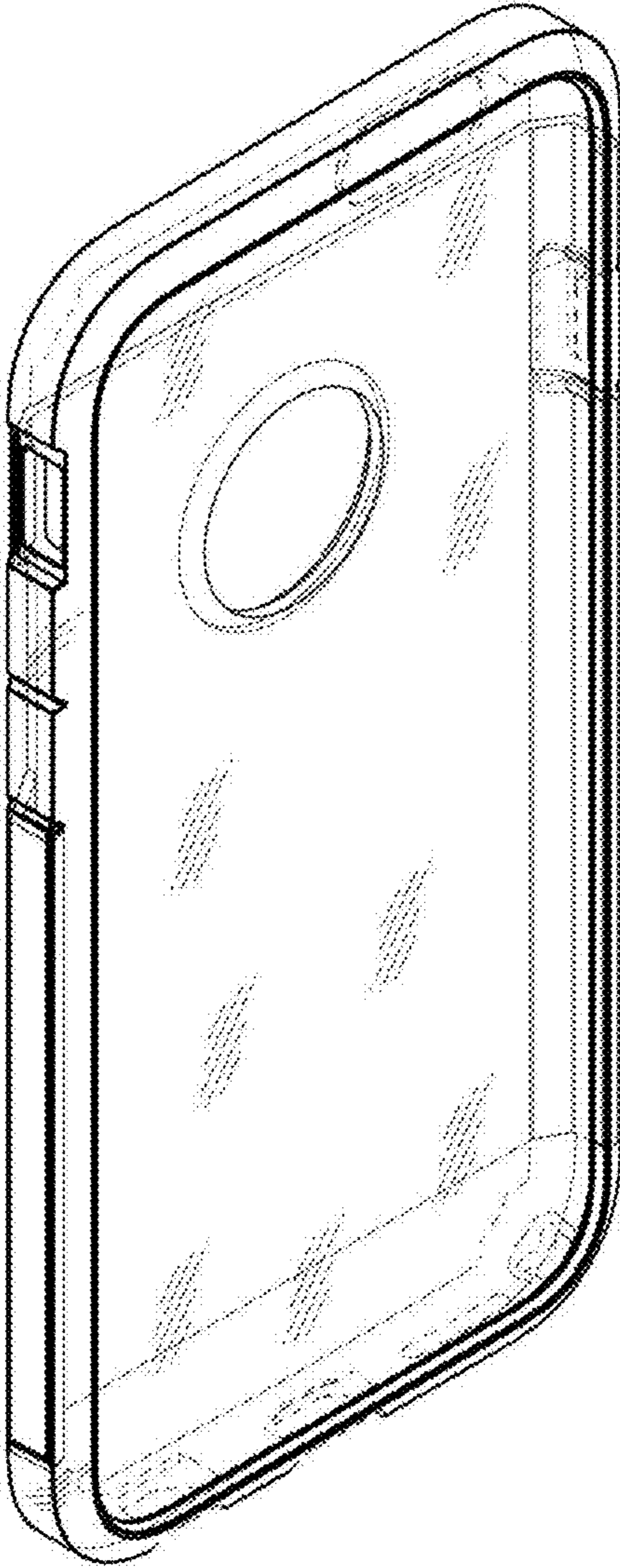


FIG. 3

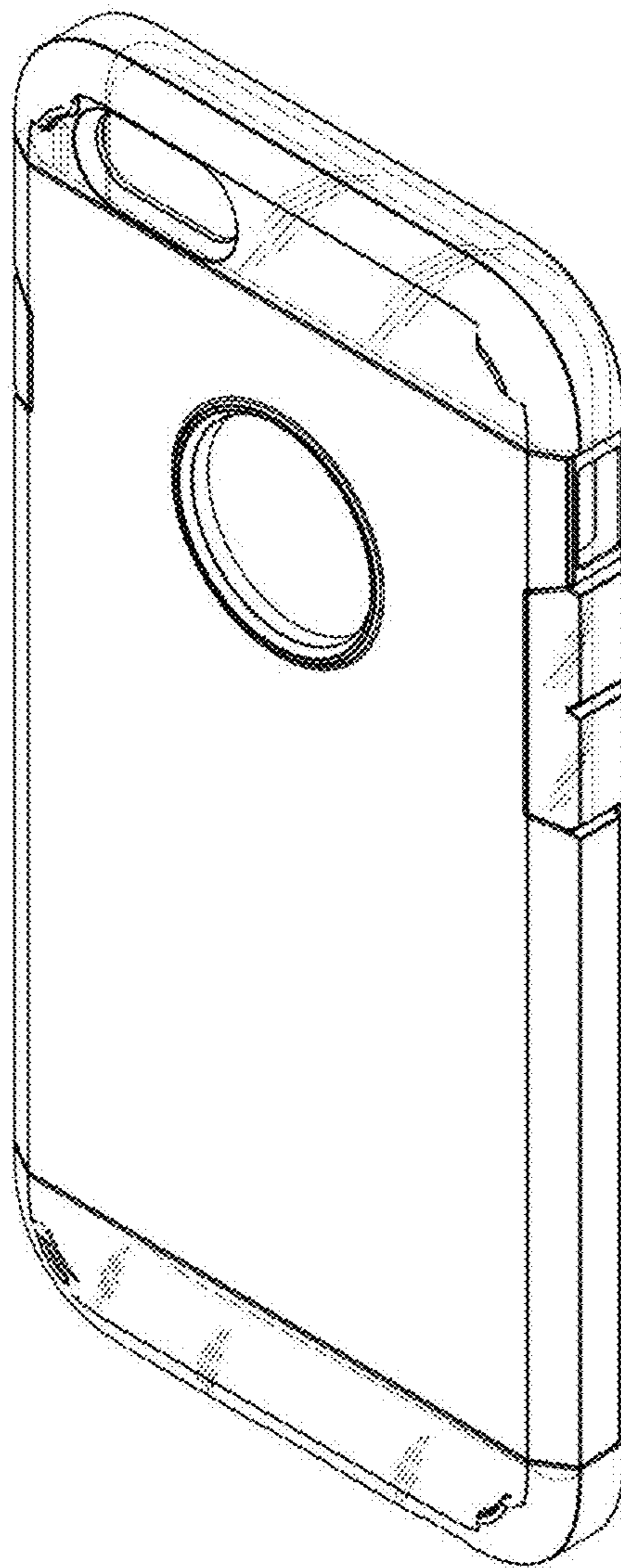


FIG. 4

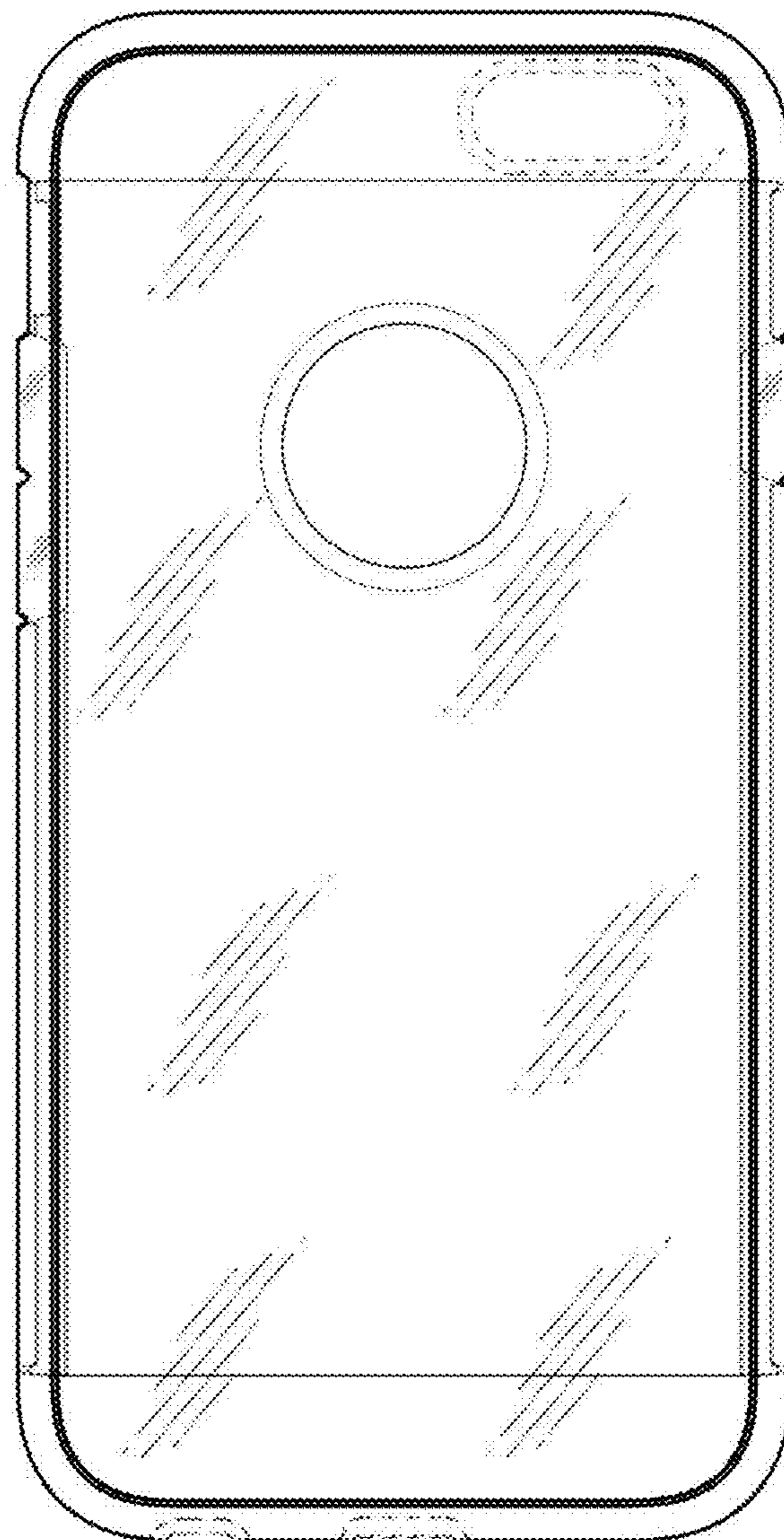


FIG. 5

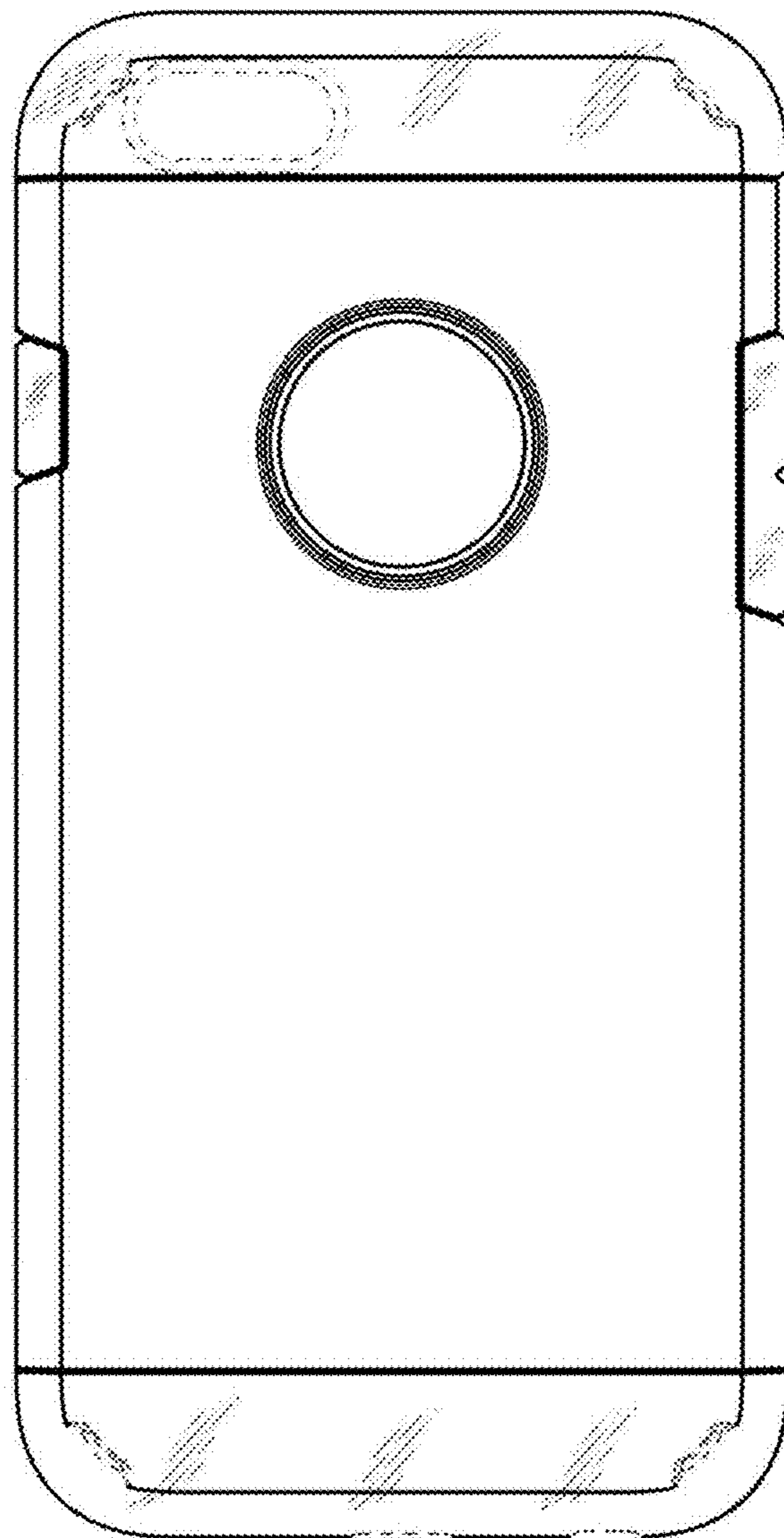


FIG. 6



FIG. 7

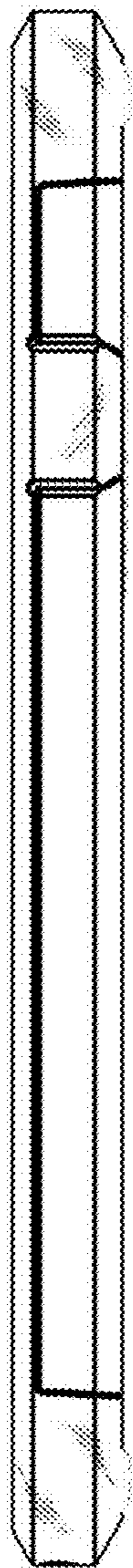


FIG. 8



FIG. 9



FIG. 10

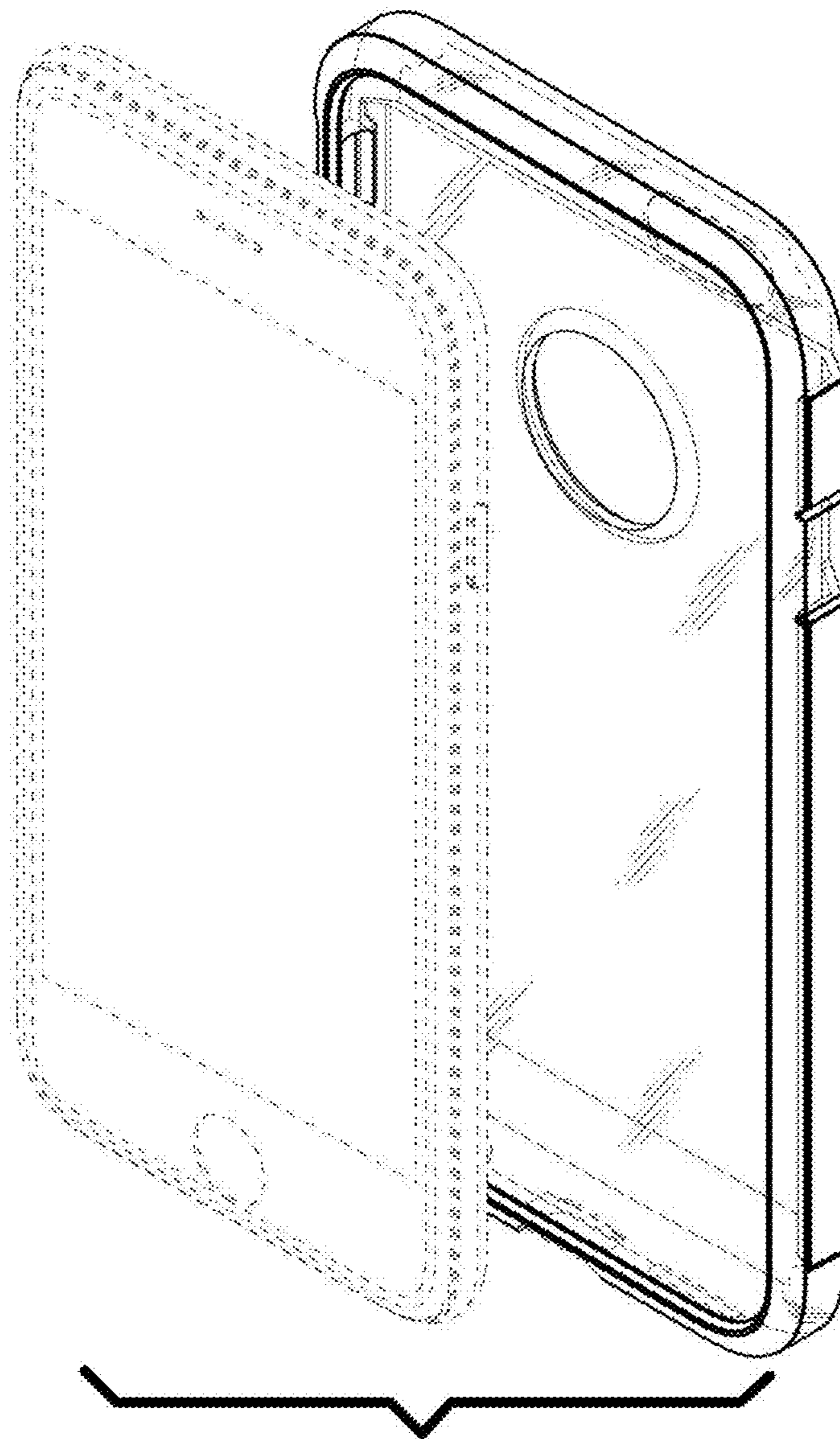


FIG. 11

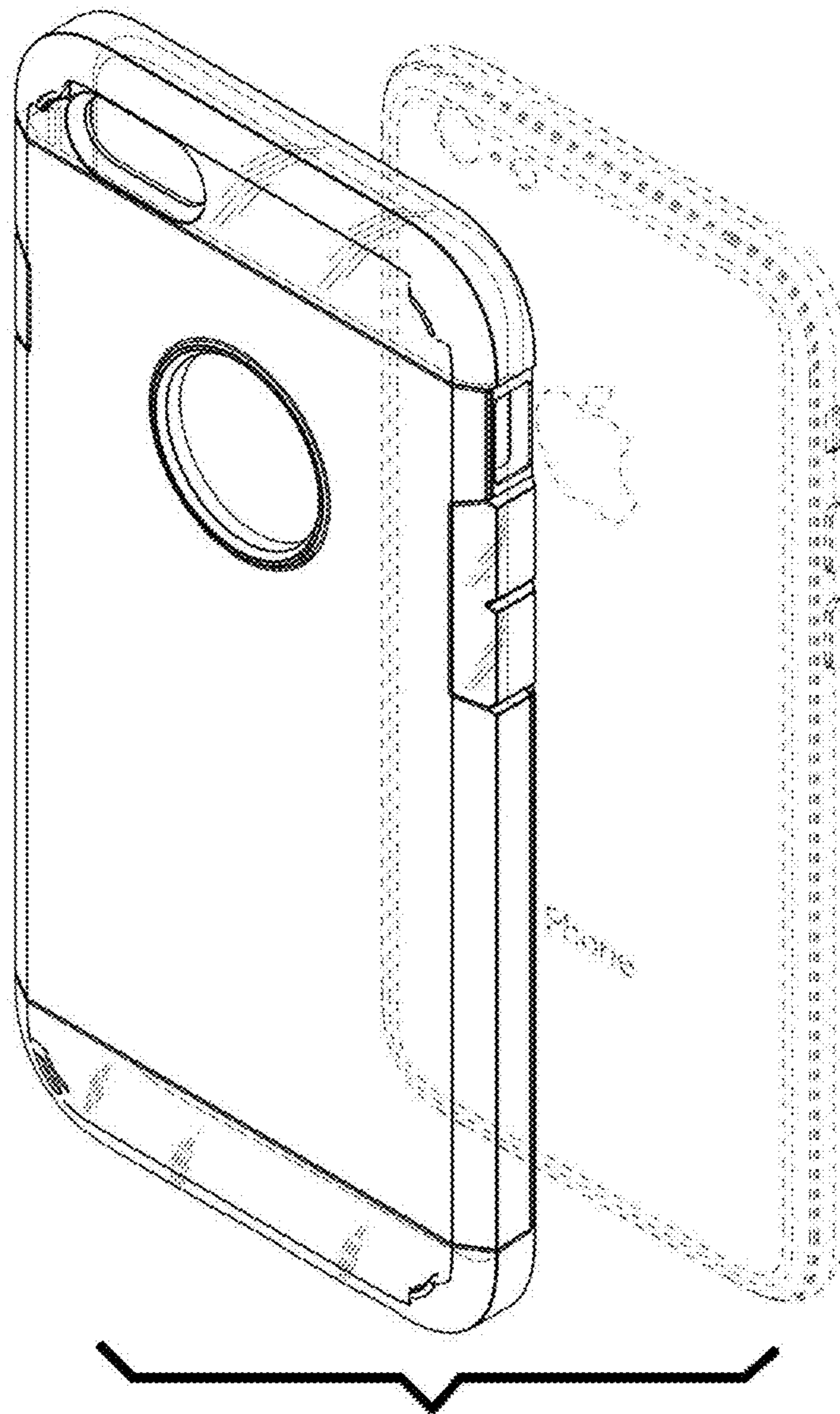


FIG. 12

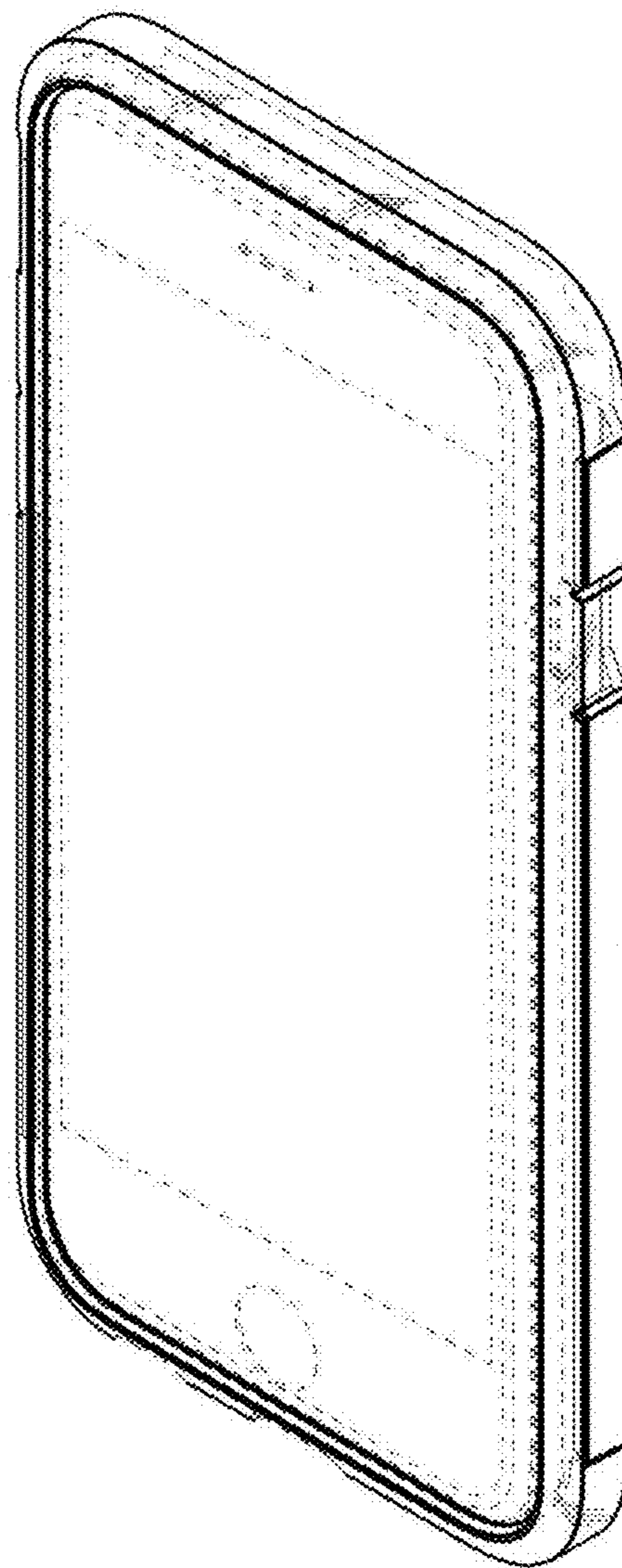


FIG. 13

