



US00D802573S

(12) **United States Design Patent** (10) **Patent No.:** **US D802,573 S**
Itor (45) **Date of Patent:** **** Nov. 14, 2017**

(54) **PHONE CASE**

- (71) Applicant: **Jellyboxx Ventures LLC**, Miami, FL (US)
- (72) Inventor: **Jean Itor**, Miami, FL (US)
- (73) Assignee: **JELLYBOXX VENTURES LLC**, Miami, FL (US)
- (**) Term: **15 Years**
- (21) Appl. No.: **29/566,522**
- (22) Filed: **May 31, 2016**
- (51) **LOC (10) Cl.** **14-03**
- (52) **U.S. Cl.**
USPC **D14/250**
- (58) **Field of Classification Search**
USPC D14/250; 455/575.8, 575.7
CPC A45C 2011/002
See application file for complete search history.

(56) **References Cited**

U.S. PATENT DOCUMENTS

D389,158 S *	1/1998	Oross	D13/119
D662,925 S *	7/2012	Mayberry	D14/250
D682,260 S *	5/2013	Tages	D14/250
D706,256 S *	6/2014	Ward	D14/250
D726,170 S *	4/2015	Ng	D14/250
D750,058 S *	2/2016	Choi	D14/250
D750,610 S *	3/2016	Chen	D14/250
D762,631 S *	8/2016	Kim	D14/250
D763,250 S *	8/2016	Jannard	D14/341
D775,615 S *	1/2017	Tien	D14/250
D776,098 S *	1/2017	Poon	D14/250
D776,105 S *	1/2017	Han	D14/250

OTHER PUBLICATIONS

Jellyboxx, posted at jellyboxx.com, posting date Apr. 17, 2015 as found on web.archive.org, [online], [site visited Mar. 3, 2017]. Available from Internet, <URL: <https://web.archive.org/web/20150417040002/http://jellyboxx.com/>>.*

Jellyboxx, posted at jellybox.com, posting date Jun. 26, 2016 as found on web.archive.org, [online], [site visited Mar. 3, 2017]. Available from Internet, <URL: <https://web.archive.org/web/20160626023945/http://www.jellyboxx.com/>>.*

* cited by examiner

Primary Examiner — George D Kirschbaum

Assistant Examiner — Maria Edwards

(74) *Attorney, Agent, or Firm* — Cislo & Thomas, LLP

(57) **CLAIM**

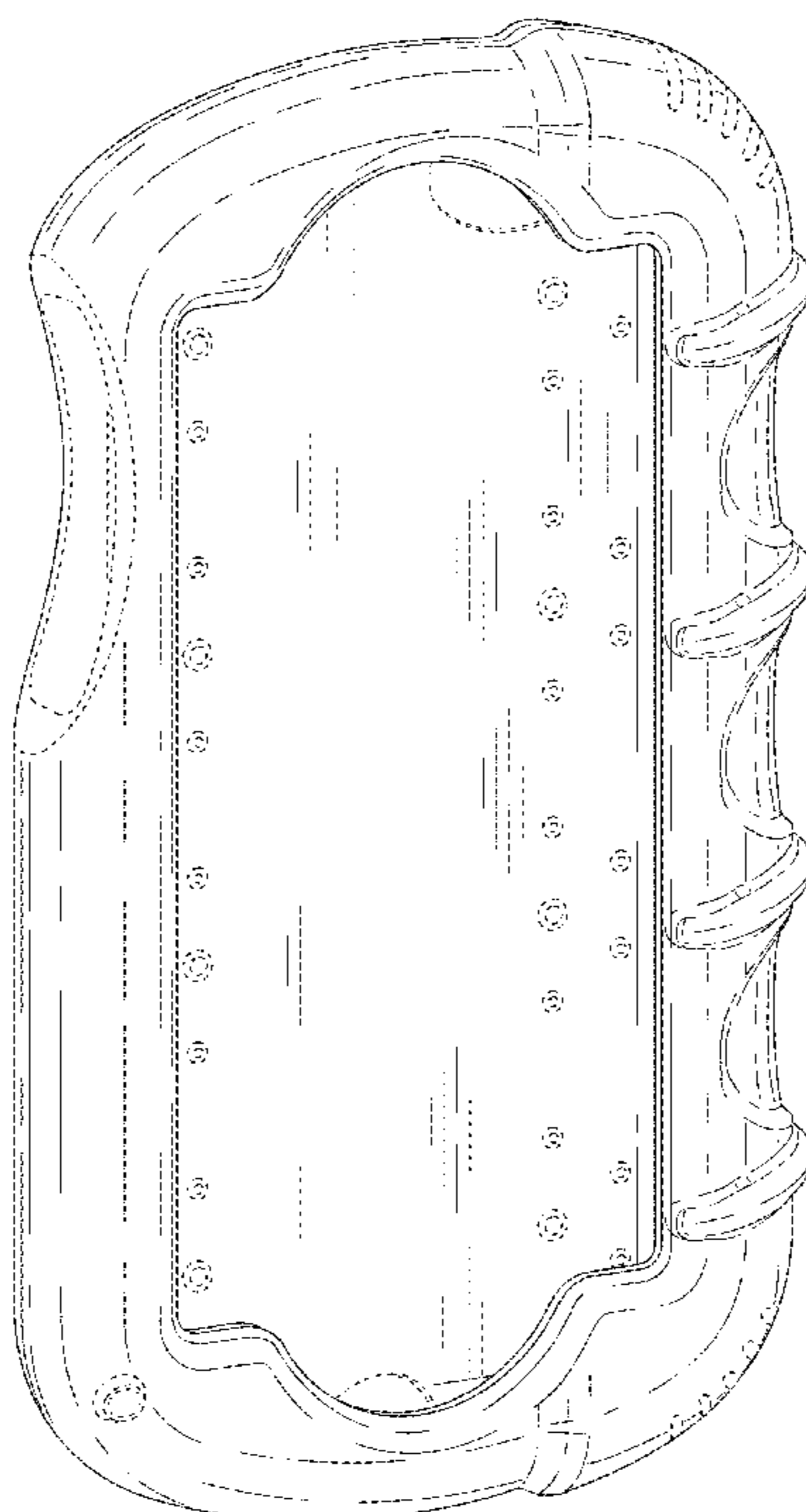
The ornamental design for a phone case, as shown and described.

DESCRIPTION

FIG. 1 is a perspective view of my phone case;
 FIG. 2 is a front view thereof;
 FIG. 3 is a rear view thereof;
 FIG. 4 is a left side view thereof;
 FIG. 5 is a right side view thereof;
 FIG. 6 is a top view thereof; and,
 FIG. 7 is a bottom view thereof.

The broken line portions of the disclosure are included for the purpose of illustrating environment and form no part of the claimed design.

1 Claim, 5 Drawing Sheets



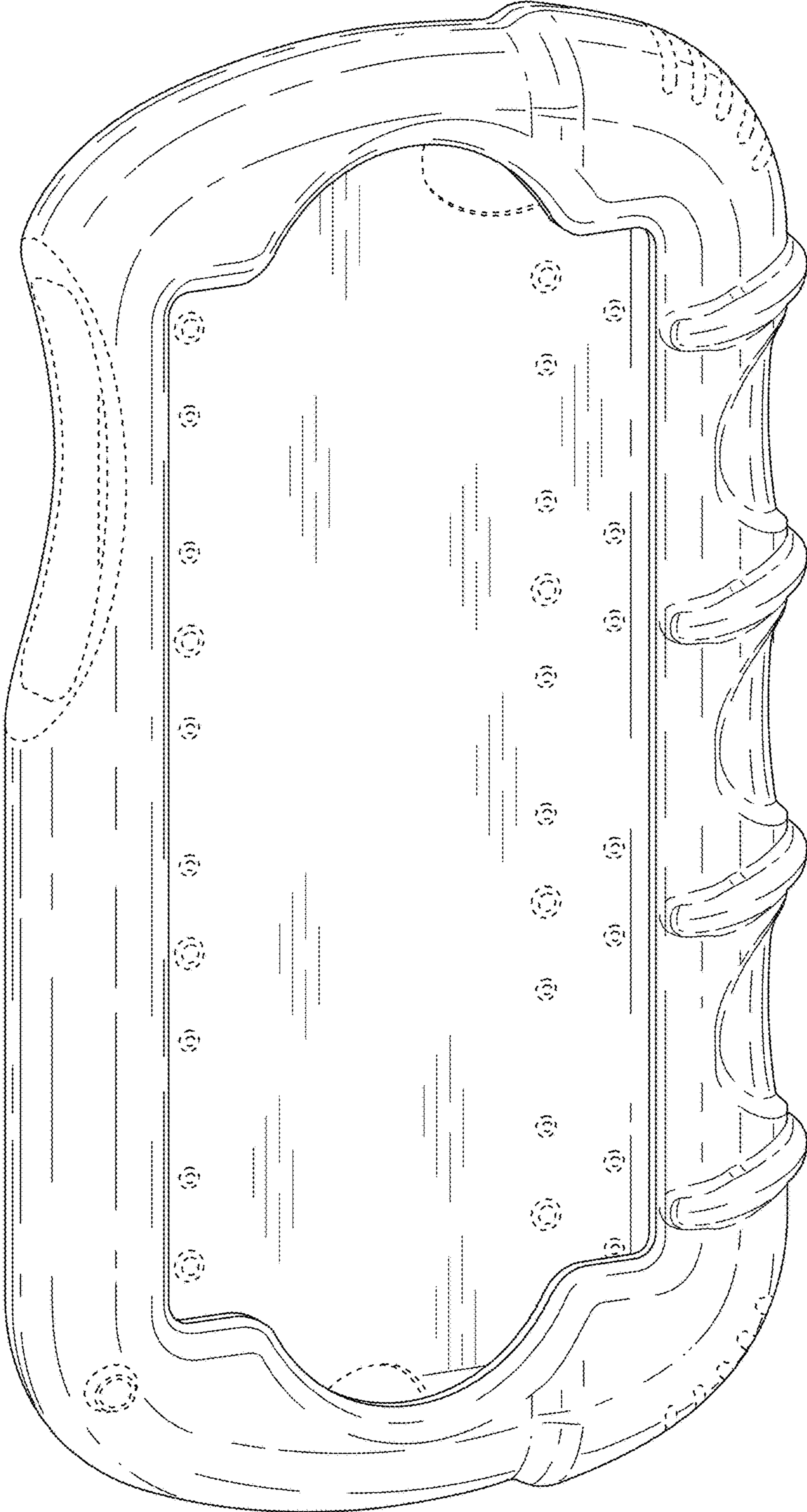


Fig. 1

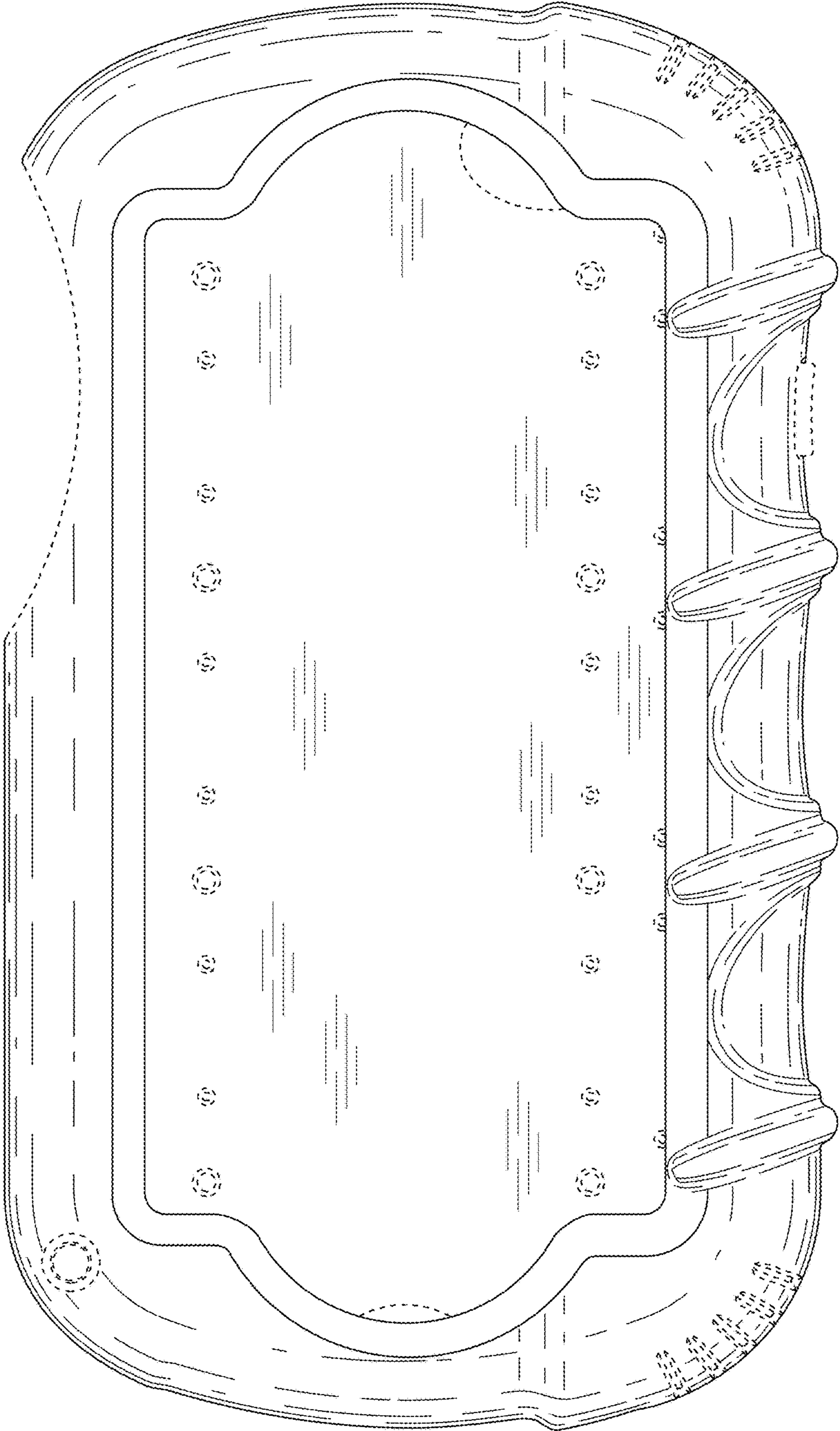


Fig. 2

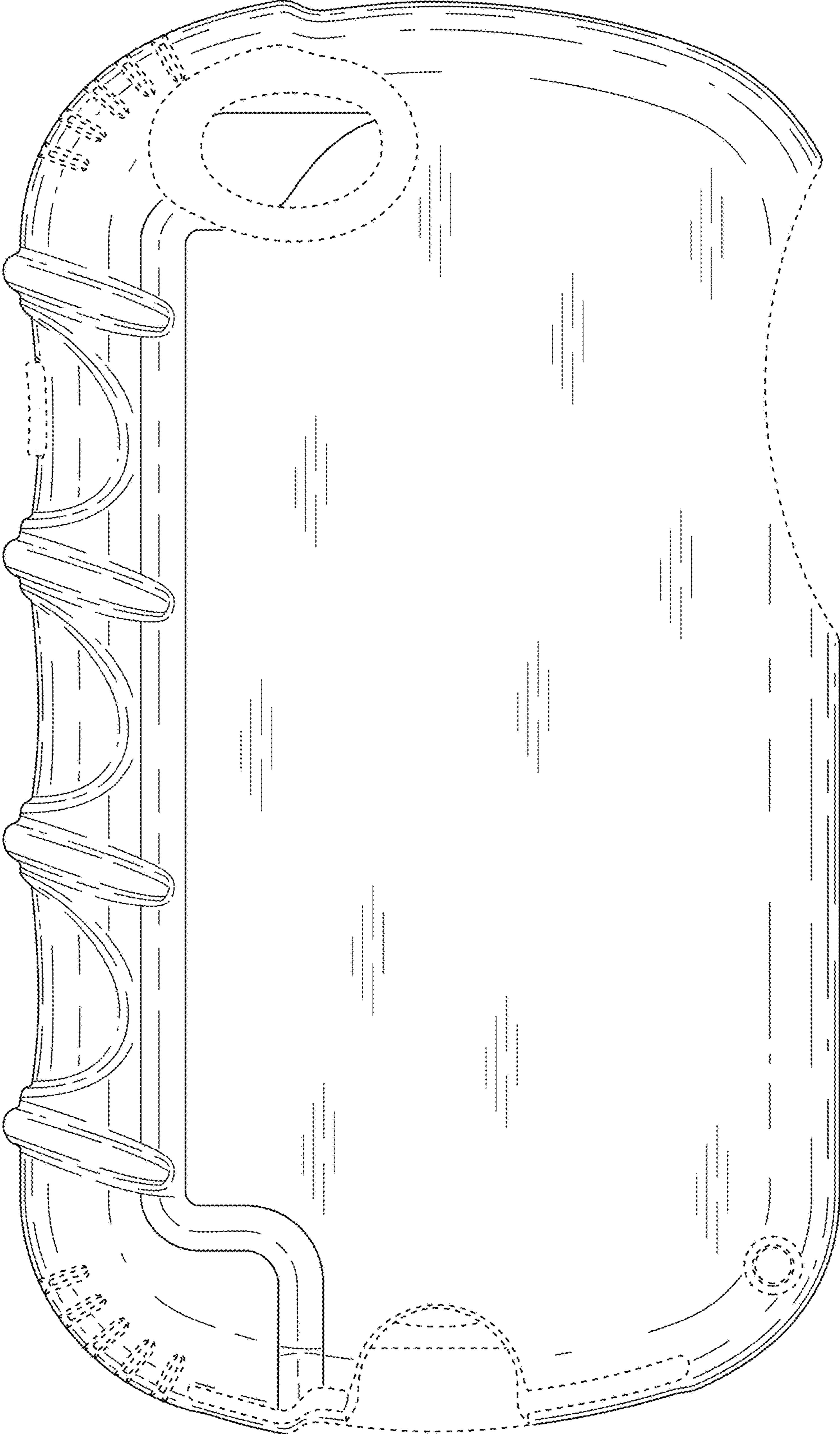


Fig. 3

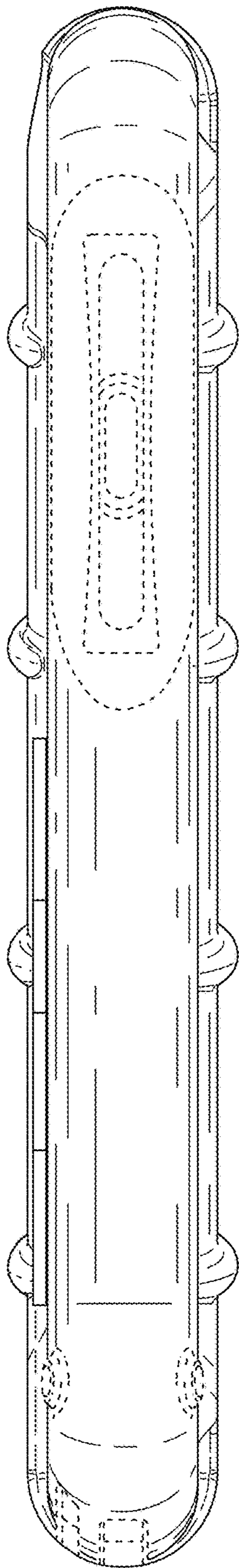


Fig. 4

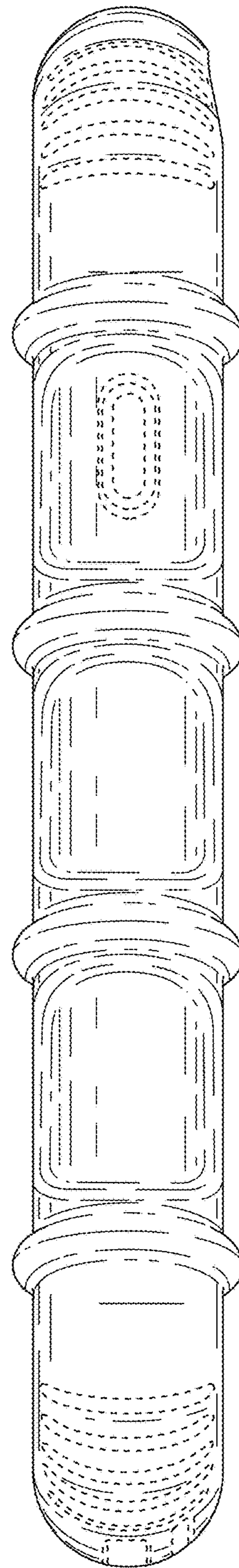


Fig. 5

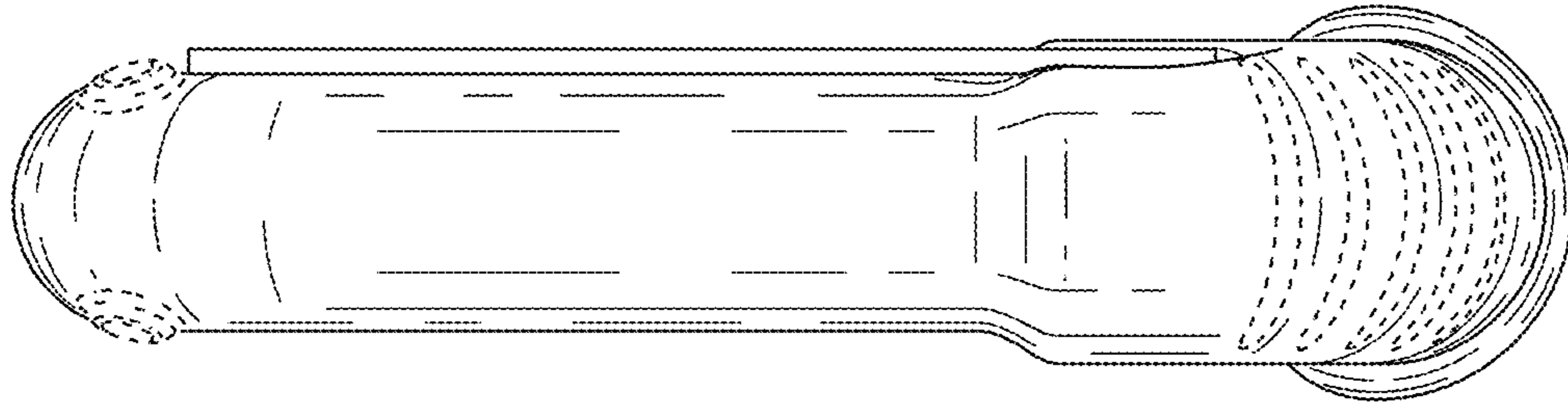


Fig. 6

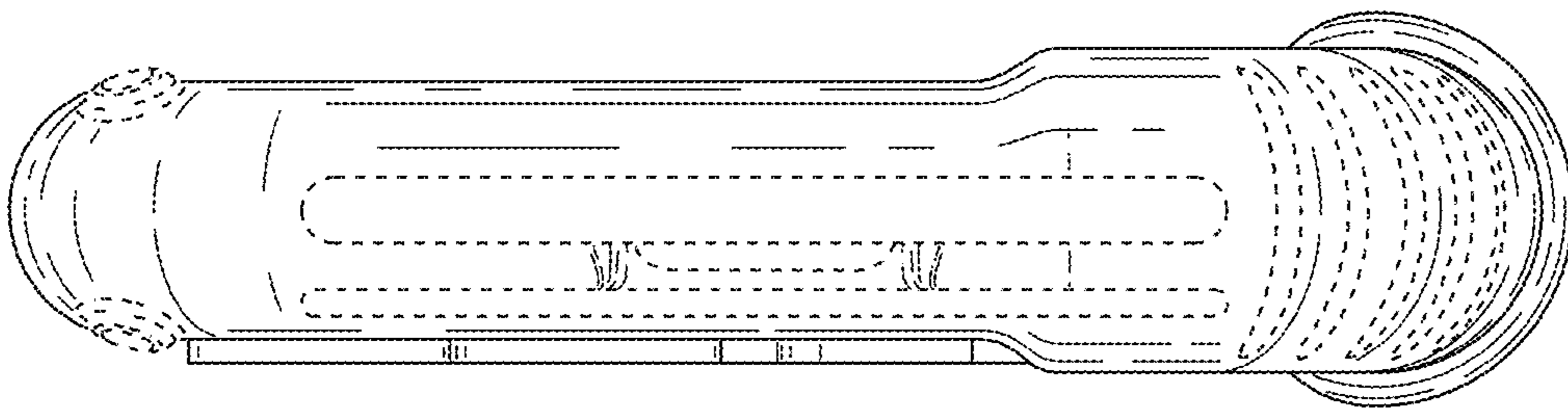


Fig. 7