



US00D802572S

(12) **United States Design Patent** (10) **Patent No.:** **US D802,572 S**  
**Harris** (45) **Date of Patent:** **\*\* Nov. 14, 2017**

(54) **ATTACHMENT FOR ELECTRONIC DEVICE**

D533,994 S 12/2006 Hussaini et al.  
D547,055 S \* 7/2007 Ballman ..... D3/218  
7,301,442 B2 11/2007 Kolpasky et al.  
(Continued)

(71) Applicant: **Loralie Designs, LLC**, Fort Collins,  
CO (US)

(72) Inventor: **Charles L. Harris**, Windsor, CO (US)

**OTHER PUBLICATIONS**

(73) Assignee: **Loralie Designs, LLC**, Fort Collins,  
CO (US)

<http://www.meritline.com/cell-phone-chains-mobile-chain---c-14212.aspx>; Cell Phone Charms, Chains & Decorations, Meritline.com, 3 pages.

(\*\*) Term: **14 Years**

(Continued)

(21) Appl. No.: **29/483,937**

*Primary Examiner* — Sandra Snapp

(22) Filed: **Mar. 4, 2014**

*Assistant Examiner* — Holly E Thurman

(51) **LOC (10) Cl.** ..... **14-03**

(74) *Attorney, Agent, or Firm* — Santangelo Law Offices,  
PC

(52) **U.S. Cl.**

(57) **CLAIM**

USPC ..... **D14/250**

The ornamental design for an electronic device attachment,  
as shown and described.

(58) **Field of Classification Search**

**DESCRIPTION**

USPC ..... D14/250–253, 440, 203.3–203.7, 217,  
D14/496, 248, 238.1, 240, 447, 230, 247,  
D14/341, 345, 346, 439; D3/201, 218,  
D3/269, 301, 273, 303, 247, 249;  
D13/103, 107–108, 119; D11/178.1;  
D19/10; 361/679.56; 379/426, 433.11,  
379/455; 455/75.1, 575.8; 190/100;  
206/305, 320; 220/4.02; 248/309.1  
CPC . A45C 2011/002; A45C 11/00; A45C 13/002;  
A45C 2011/003; H04M 1/0283; H04M  
1/0202

FIG. 1 is a front perspective view of the attachment for  
electronic device, showing my new design;  
FIG. 2 is a front view thereof;  
FIG. 3 is a back view thereof;  
FIG. 4 is a top view thereof;  
FIG. 5 is a bottom view thereof;  
FIG. 6 is a right side thereof;  
FIG. 7 is a left side view thereof;  
FIG. 8 is a front perspective view of the attachment for  
electronic device according to an alternative embodiment;  
FIG. 9 is a front view thereof;  
FIG. 10 is a back view thereof;  
FIG. 11 is a top view thereof;  
FIG. 12 is a bottom view thereof;  
FIG. 13 is a right side view thereof; and,  
FIG. 14 is a left side view thereof.

See application file for complete search history.

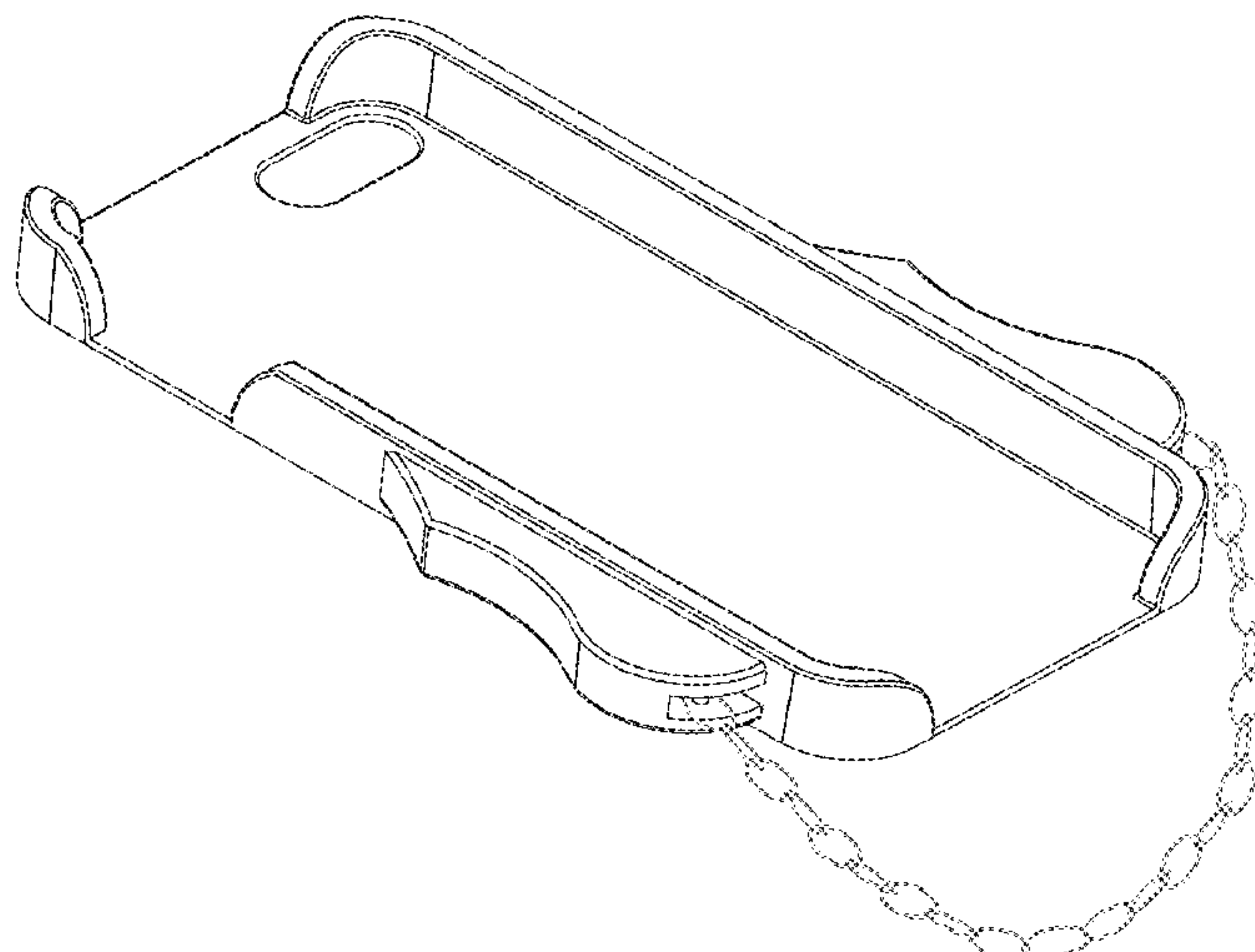
The broken lines depict portions of the attachment for  
electronic device that form no part of the claimed invention.

(56) **References Cited**

**1 Claim, 14 Drawing Sheets**

**U.S. PATENT DOCUMENTS**

5,167,356 A 12/1992 Williams  
5,938,137 A 8/1999 Poulson  
6,059,156 A 5/2000 Lehtinen  
6,546,103 B1 4/2003 Wong  
6,568,576 B1 5/2003 Godshaw et al.  
D499,546 S 12/2004 Smithers  
D504,889 S 5/2005 Andre et al.  
7,093,742 B2 8/2006 Steven, III et al.



(56)

References Cited

U.S. PATENT DOCUMENTS

D602,486 S 10/2009 Andre et al.  
 D606,061 S \* 12/2009 Chen ..... D14/248  
 D611,478 S 3/2010 Richardson et al.  
 D613,282 S 4/2010 Richardson et al.  
 D623,179 S 9/2010 Richardson et al.  
 D631,650 S \* 2/2011 Li ..... D3/218  
 D649,539 S \* 11/2011 Hong ..... D14/250  
 D651,205 S \* 12/2011 Soekoro ..... D14/250  
 D654,490 S 2/2012 Weller et al.  
 D657,353 S 4/2012 Melanson et al.  
 D660,723 S 5/2012 Akana et al.  
 D661,296 S 6/2012 Akana et al.  
 D673,549 S 1/2013 Chang et al.  
 D673,947 S 1/2013 Andre et al.  
 D676,032 S \* 2/2013 Stump ..... D14/250  
 D678,871 S \* 3/2013 Mishan ..... D14/250  
 D687,026 S \* 7/2013 Ruvolo ..... D14/250  
 D688,655 S \* 8/2013 Rey-Hipolito ..... D14/250  
 D701,695 S \* 4/2014 Hyma ..... D3/273  
 D703,429 S 4/2014 Morrison  
 D705,210 S \* 5/2014 Adelman ..... D14/250  
 8,714,422 B2 5/2014 Yu  
 D707,217 S \* 6/2014 Toulotte ..... D14/250  
 D711,866 S \* 8/2014 Kawata ..... D14/250  
 D723,795 S \* 3/2015 Kalbach ..... D3/218  
 D726,174 S \* 4/2015 Wahlin ..... D14/250  
 D736,196 S \* 8/2015 Karis ..... D14/250  
 2005/0127123 A1 \* 6/2005 Smithers ..... A45F 5/00  
 224/610

2006/0113345 A1 \* 6/2006 Zoullas ..... A45F 5/00  
 224/600  
 2006/0281504 A1 12/2006 Pint  
 2007/0278265 A1 \* 12/2007 Contente ..... A45F 5/00  
 224/162  
 2008/0227419 A1 9/2008 Traub  
 2009/0007390 A1 1/2009 Tsang et al.  
 2009/0008419 A1 1/2009 Tsang et al.  
 2009/0023484 A1 \* 1/2009 Macklin ..... A45C 11/00  
 455/575.6  
 2009/0194571 A1 8/2009 Evans  
 2010/0206925 A1 \* 8/2010 Fielding, Jr. .... A45F 5/00  
 224/257  
 2010/0206976 A1 8/2010 Salentine et al.  
 2011/0031160 A1 \* 2/2011 Leggett ..... A45C 11/00  
 206/701  
 2012/0154119 A1 6/2012 Schepps  
 2012/0273541 A1 \* 11/2012 Zwach ..... A45C 11/00  
 224/615

OTHER PUBLICATIONS

<http://www.cellchainz.com>; Cellchantz TM, Cell Phone Chain/  
 Chains—Cell Phone Accessories, 5 pages.  
<http://www.pdfob.com/custom1.html>; iPhone/iPod podfob; 2  
 pages.  
 Design U.S. Appl. No. 29/447,525, filed Mar. 4, 2013, entitled  
 “Electronic Device Attachment”.  
 Design U.S. Appl. No. 29/447,525, filed Mar. 4, 2013, first named  
 Inventor: Charles L Harris. Restrictive Office Action dated Mar. 19,  
 2015. 5 pages.

\* cited by examiner

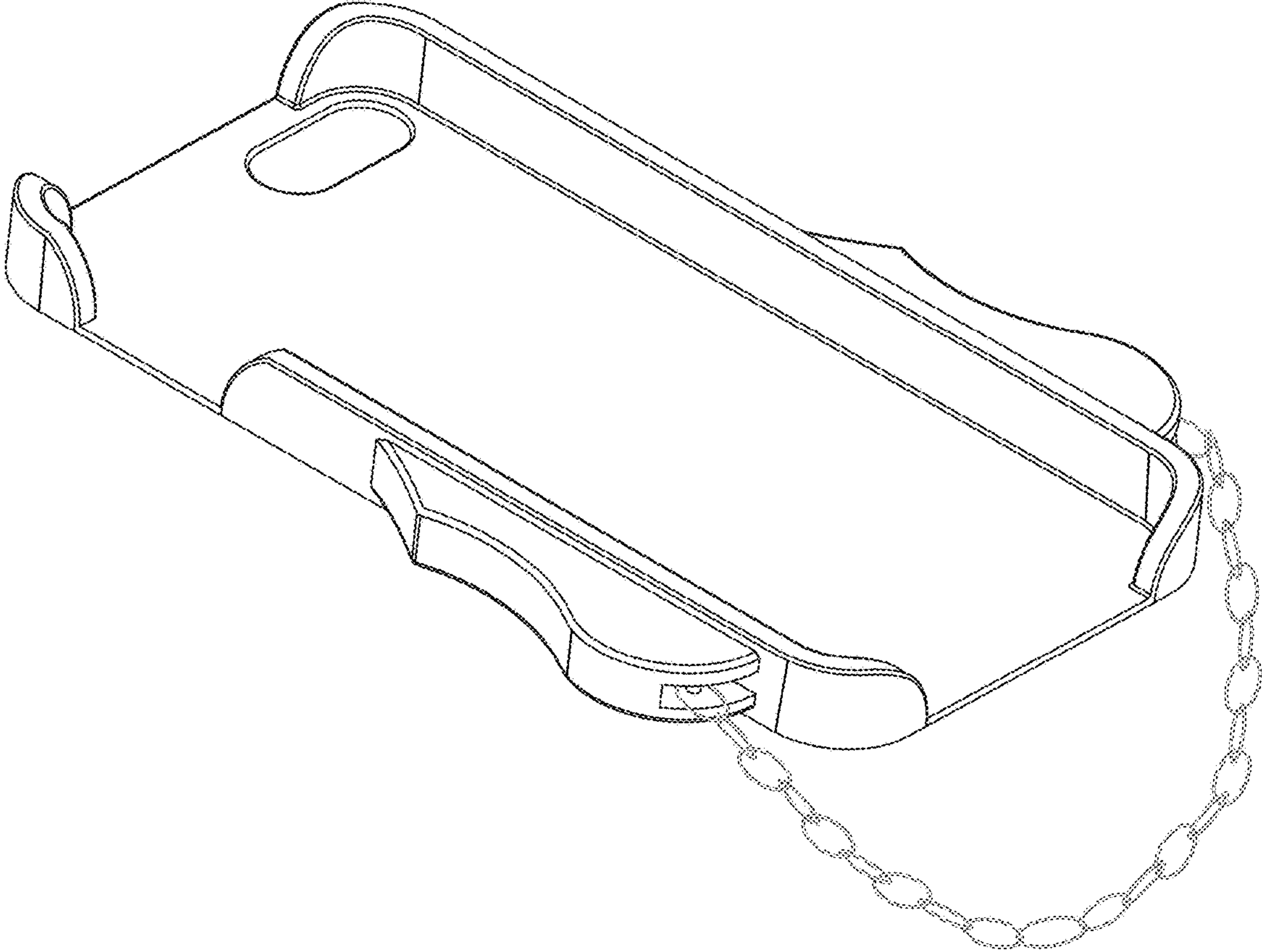


Fig. 1

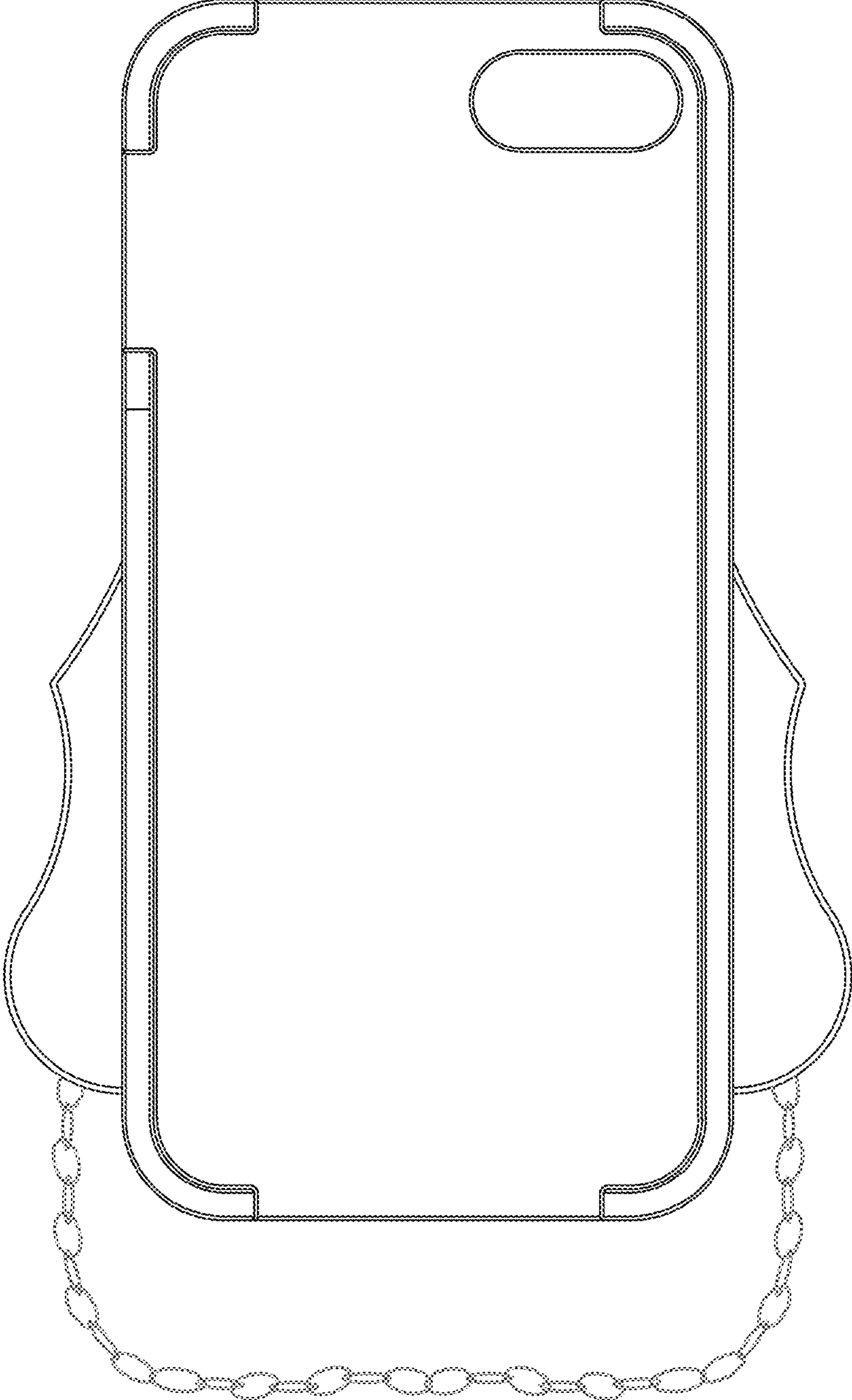


Fig. 2



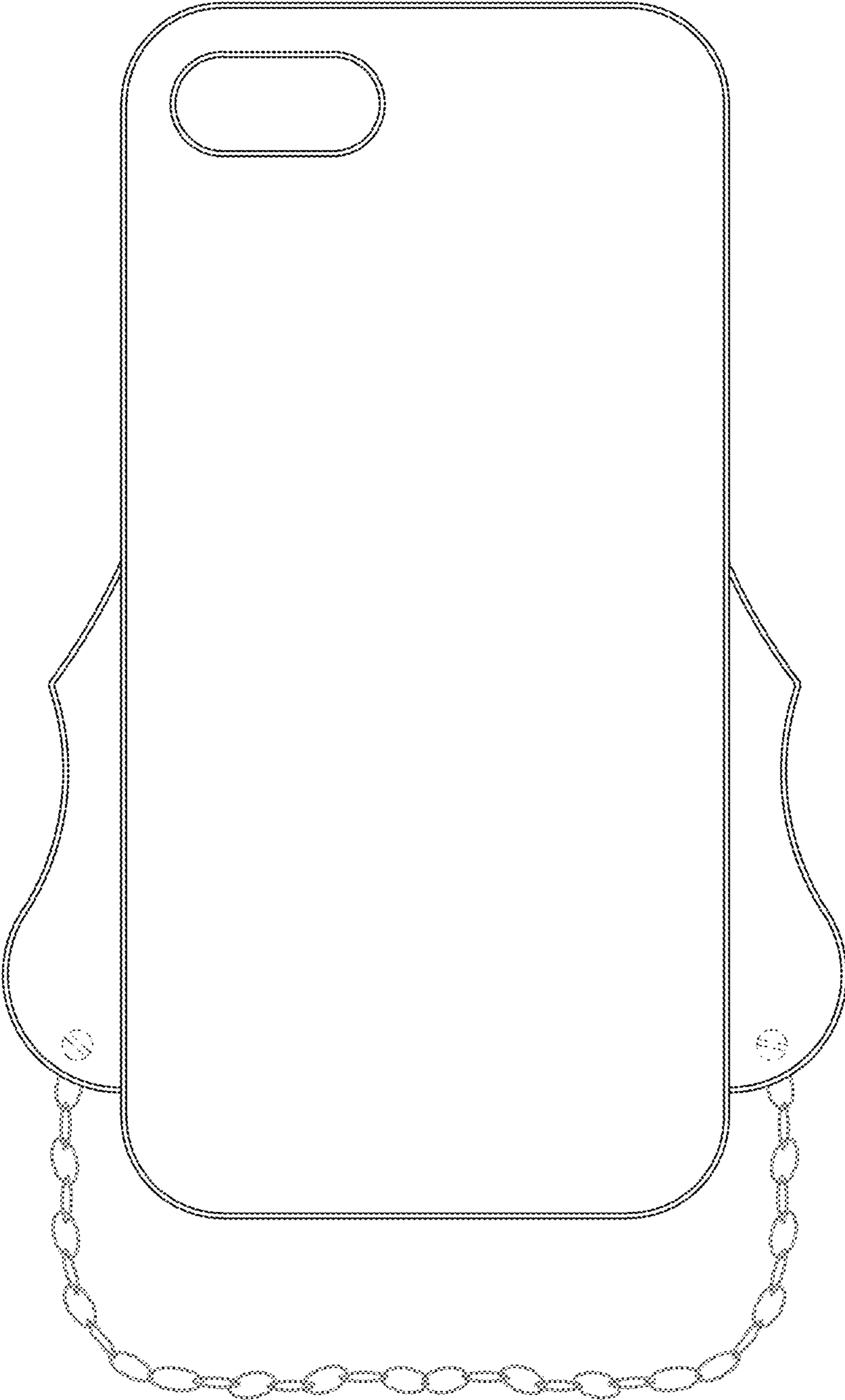


Fig. 3

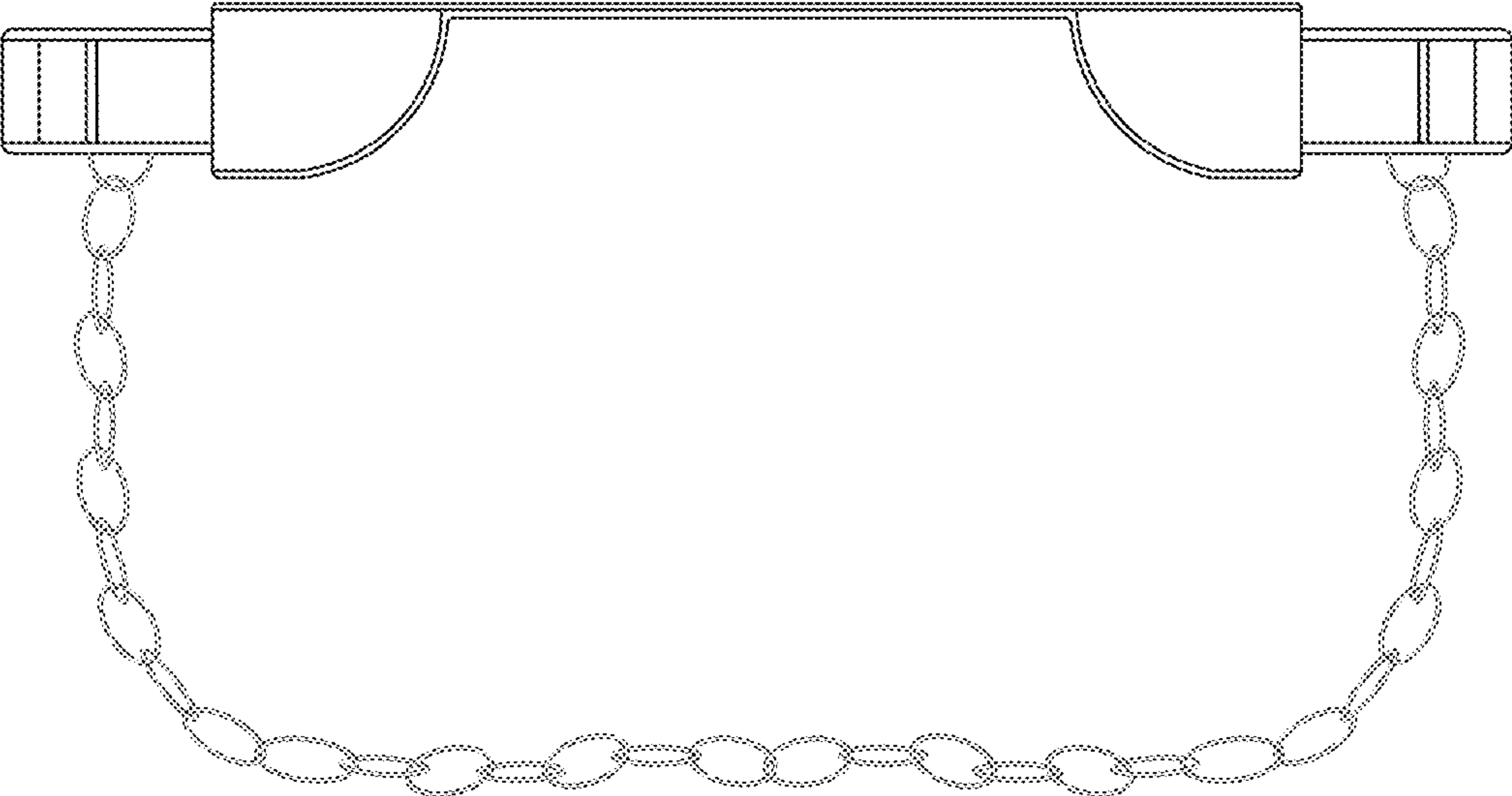


Fig. 4

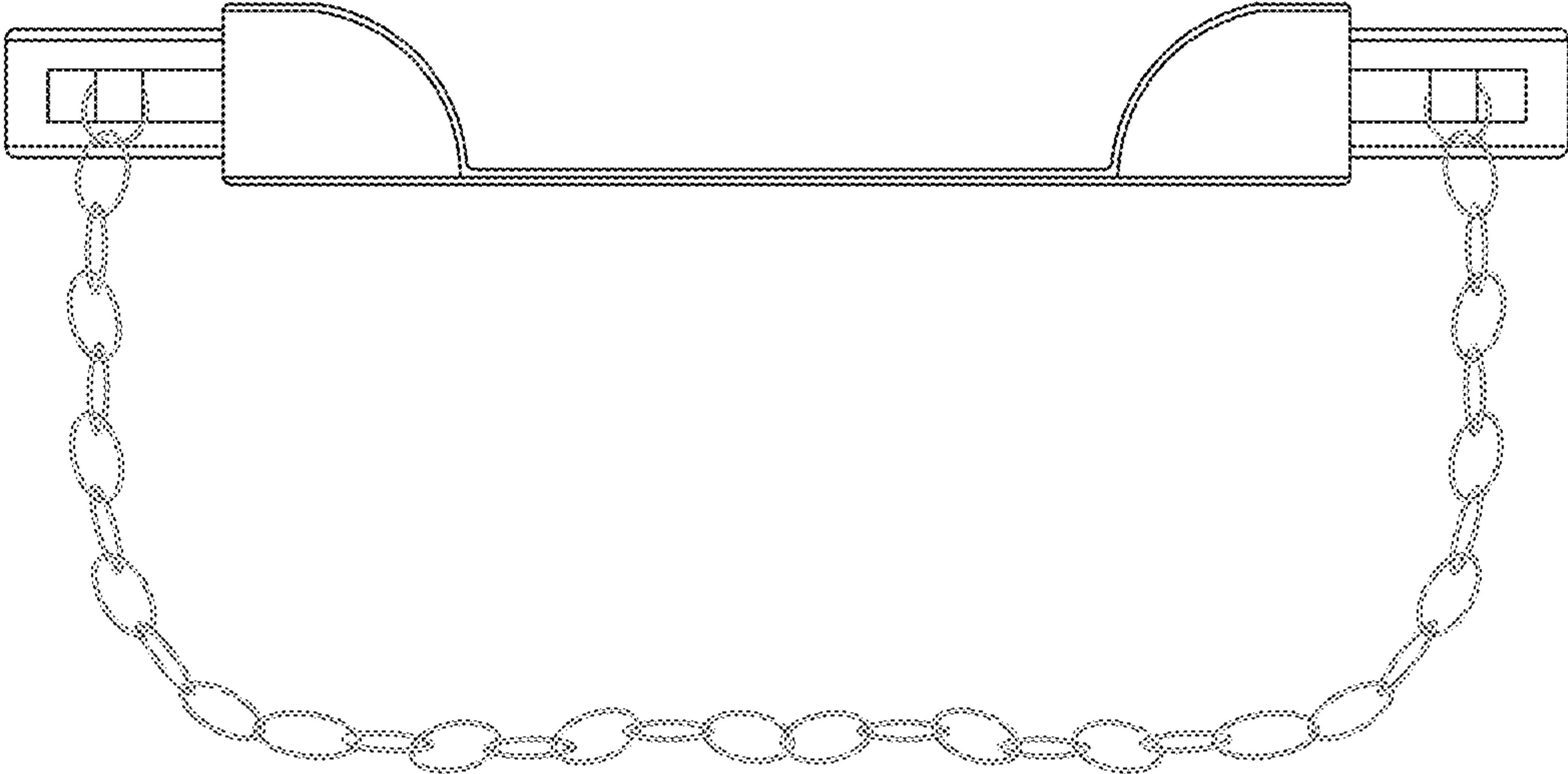


Fig. 5

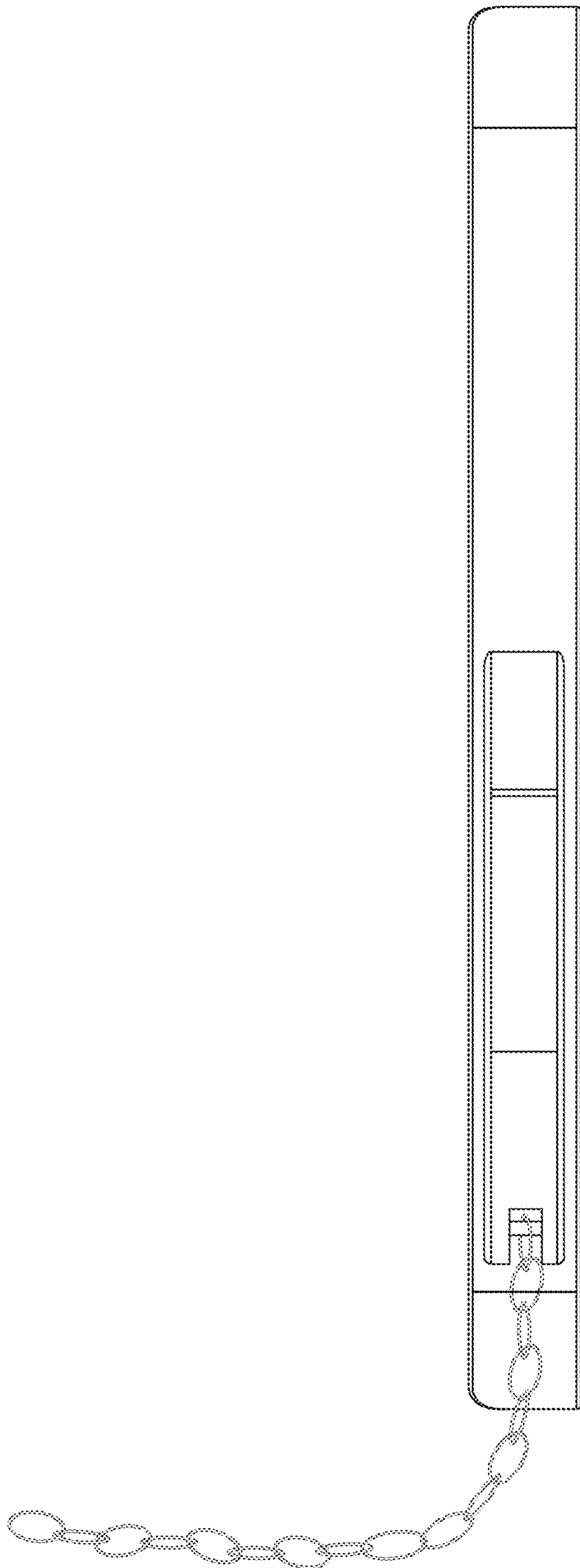


Fig. 6



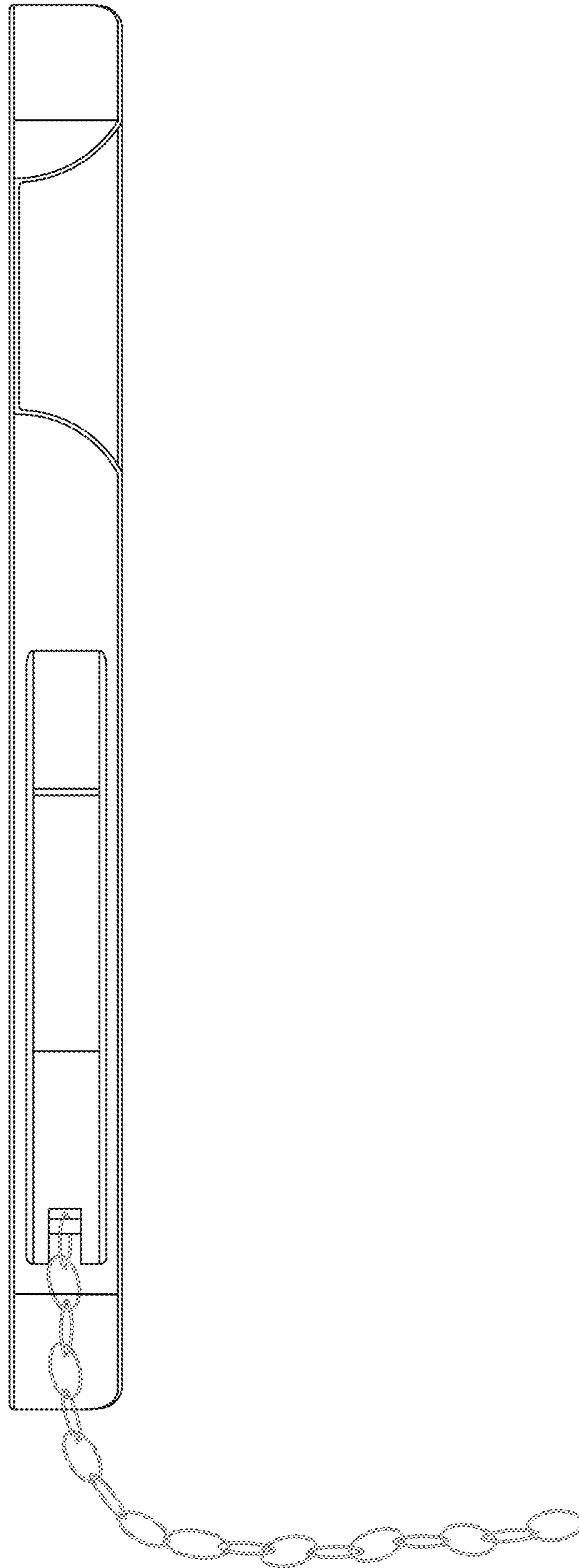


Fig. 7

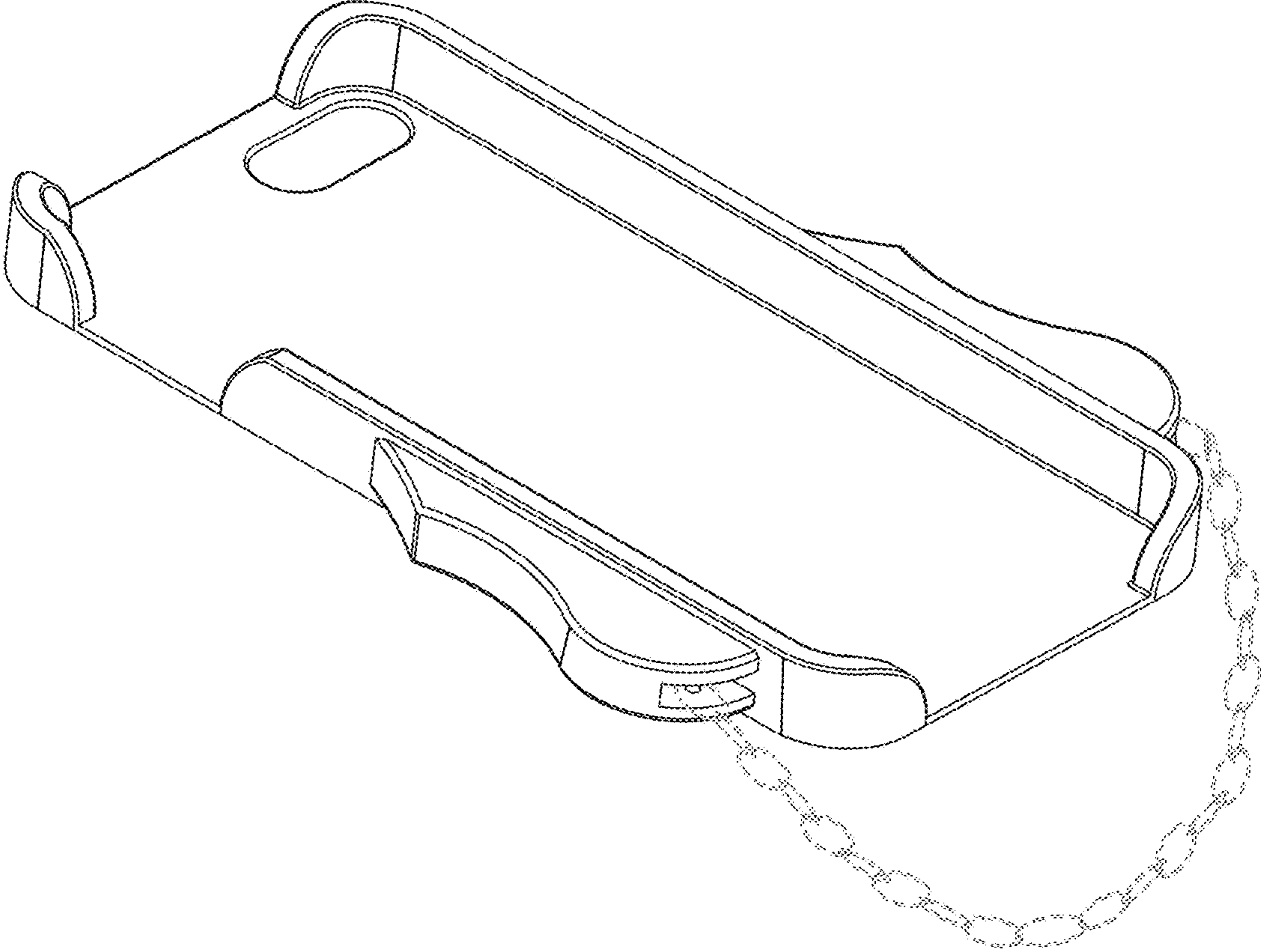


Fig. 8

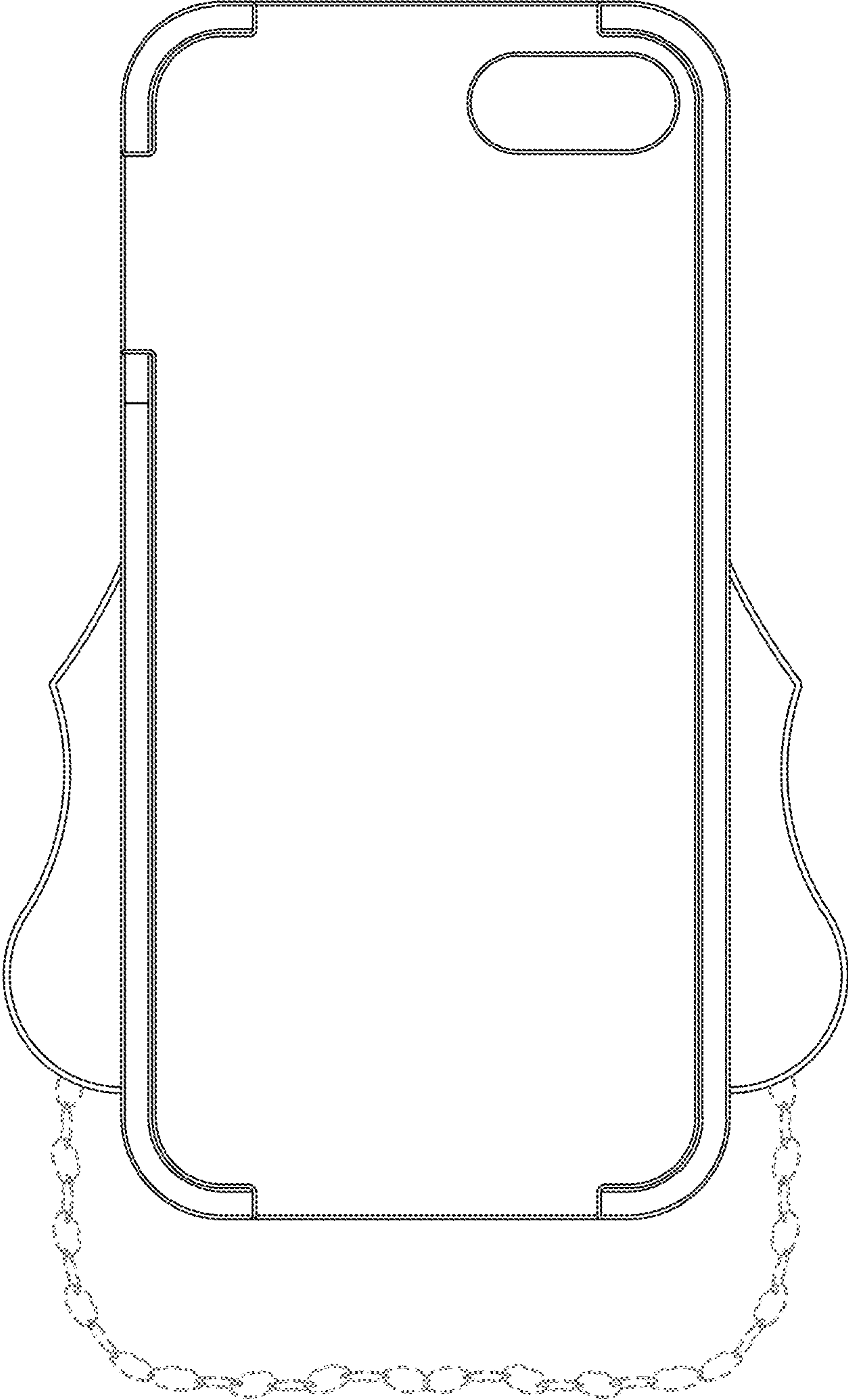


Fig. 9

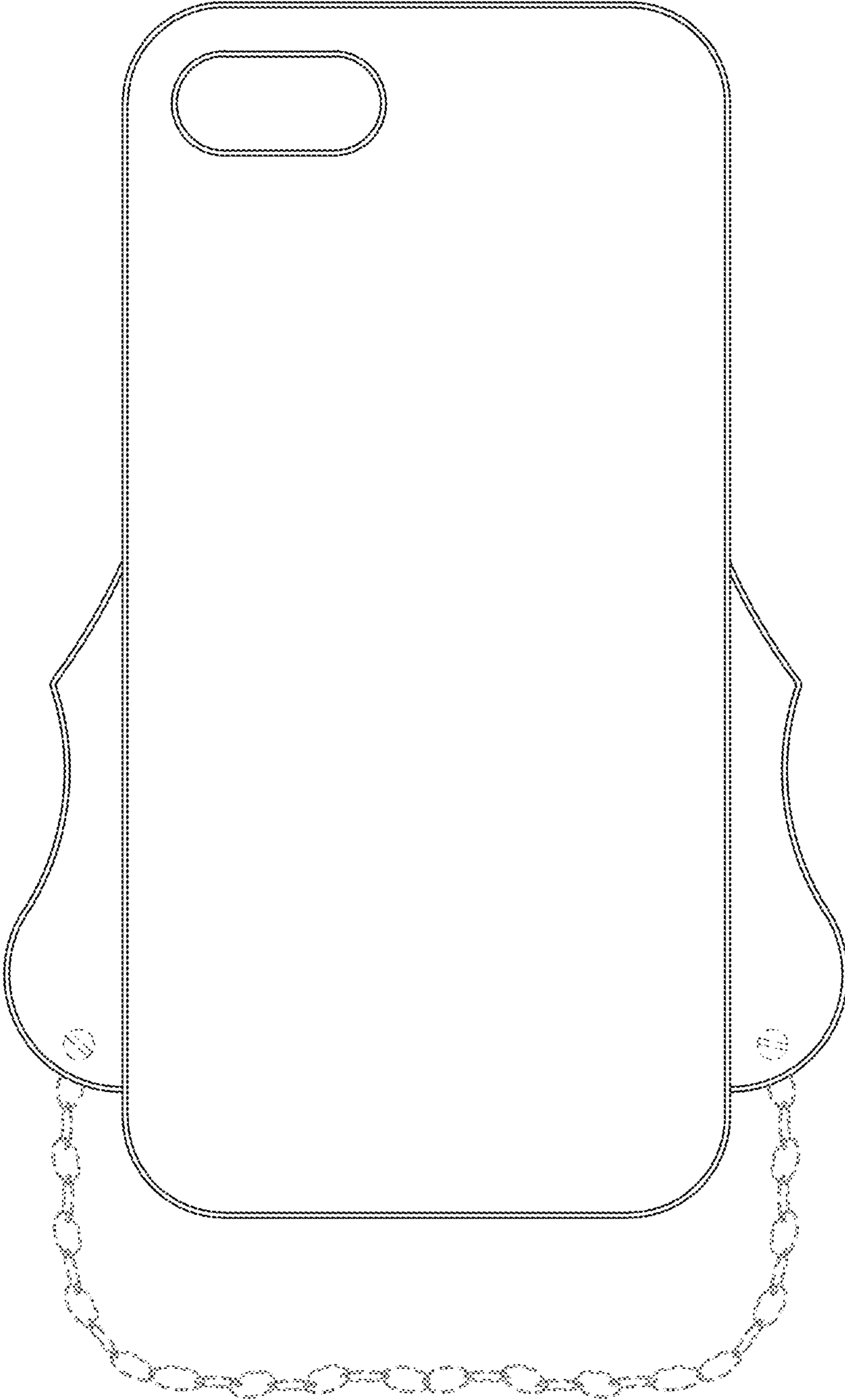


Fig. 10

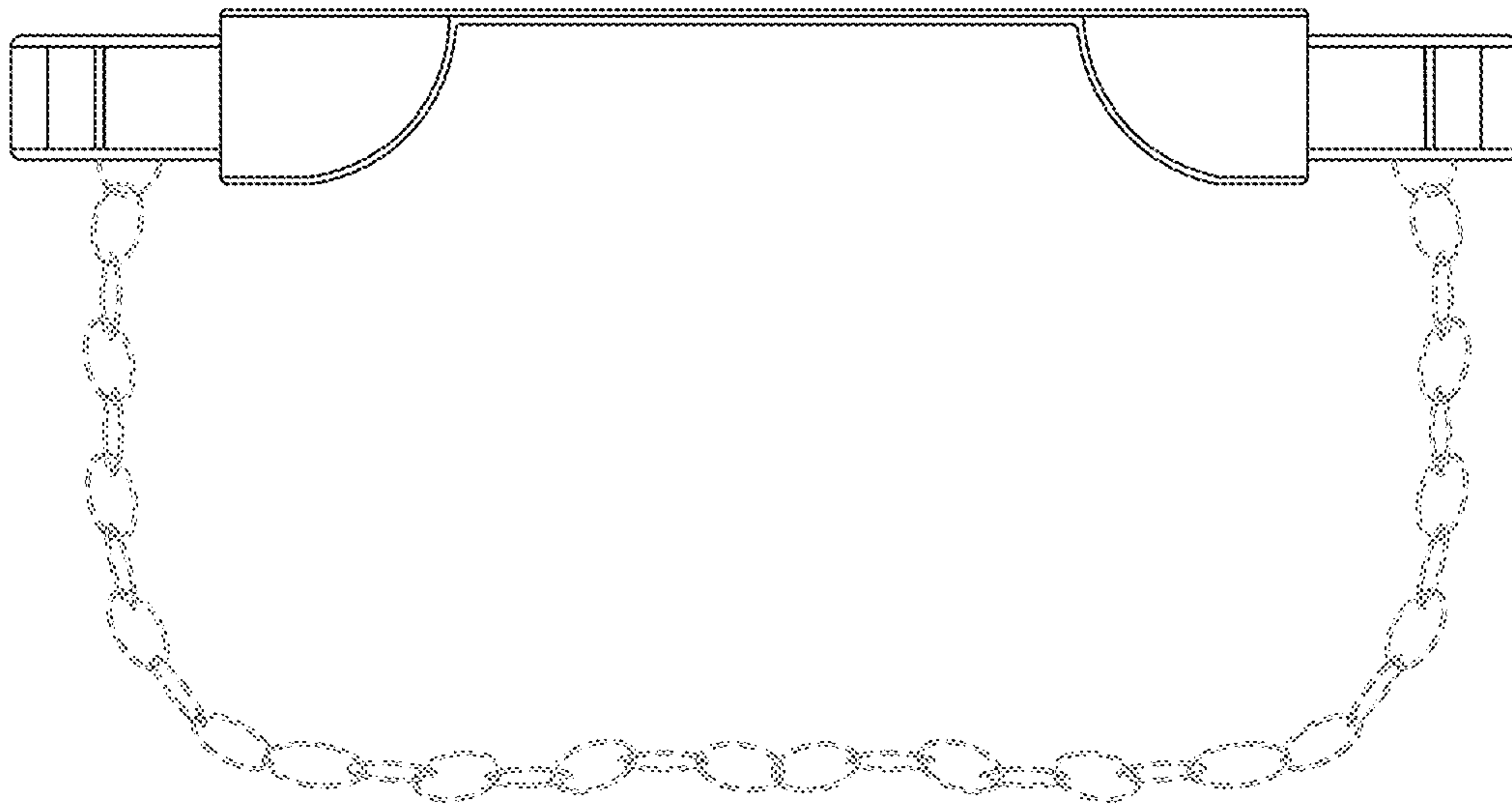


Fig. 11



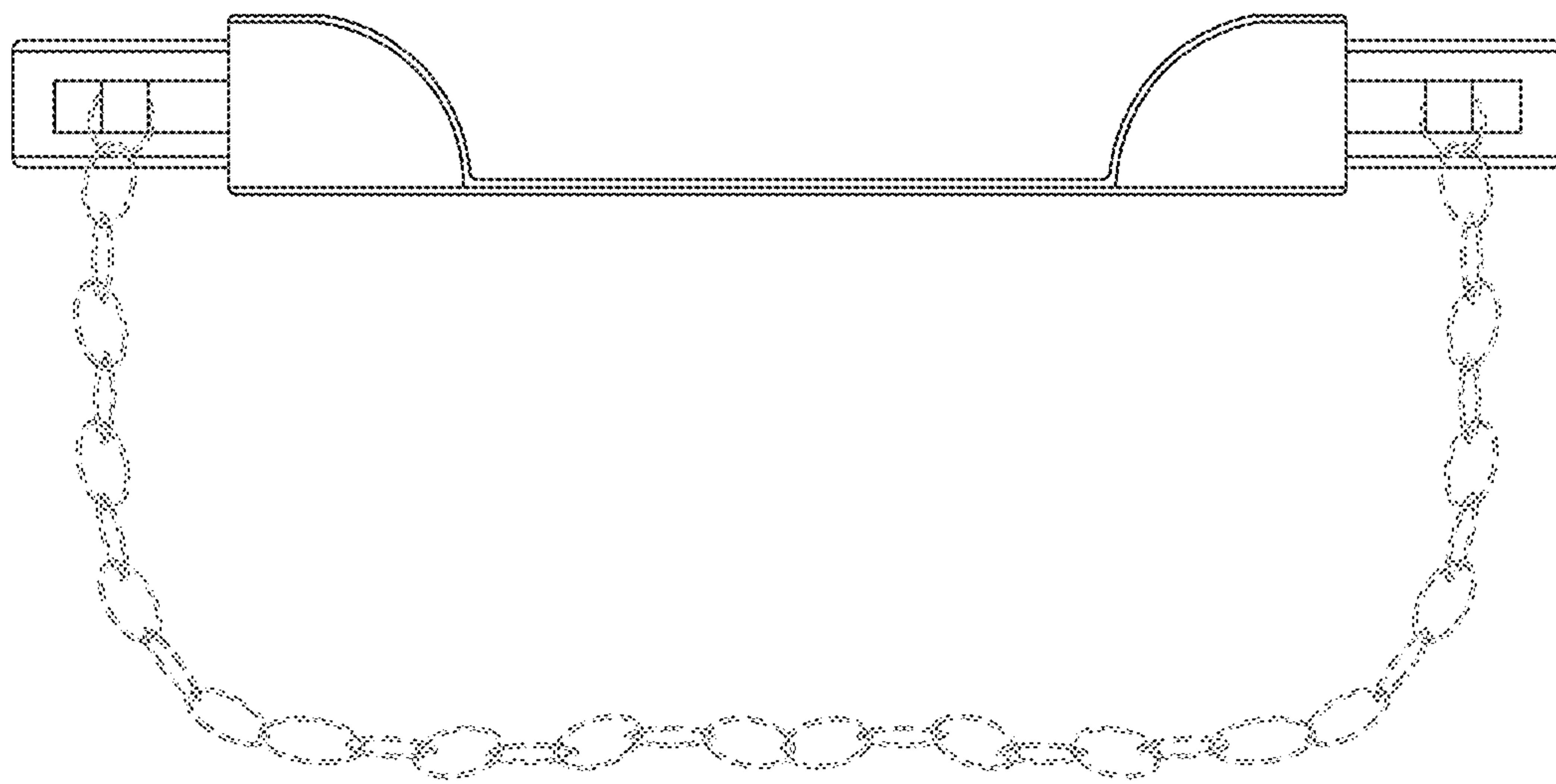


Fig. 12

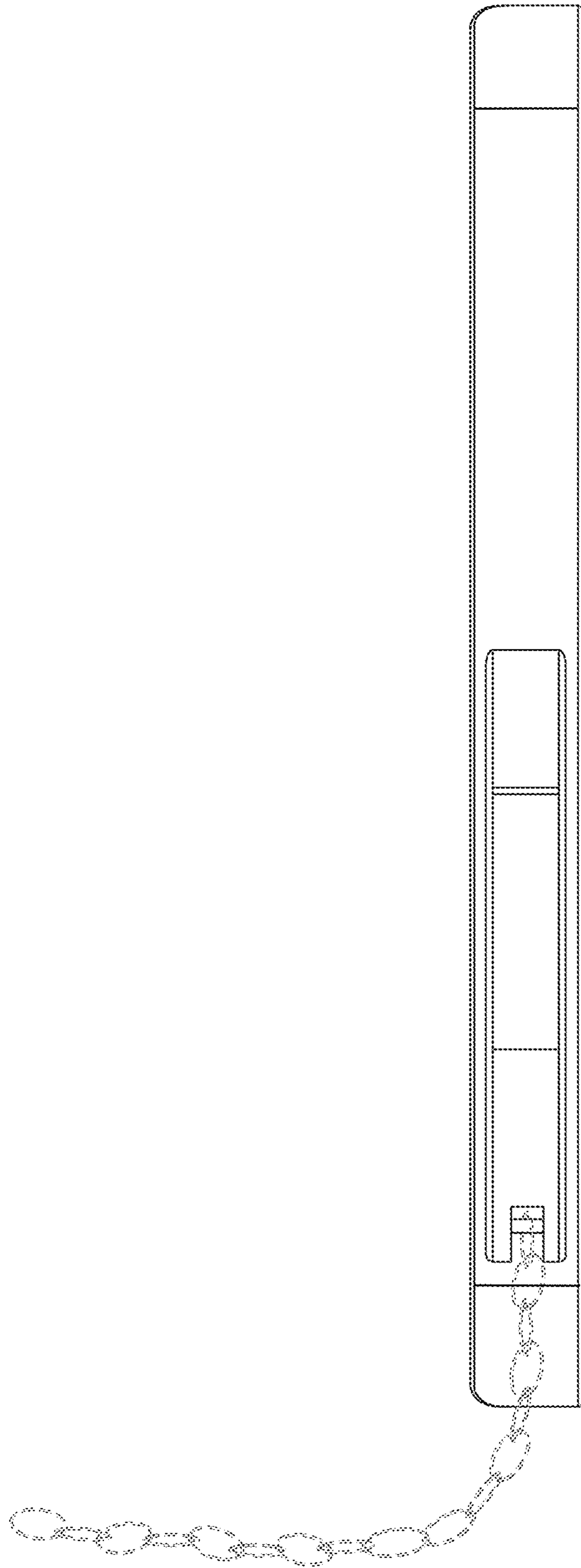


Fig. 13

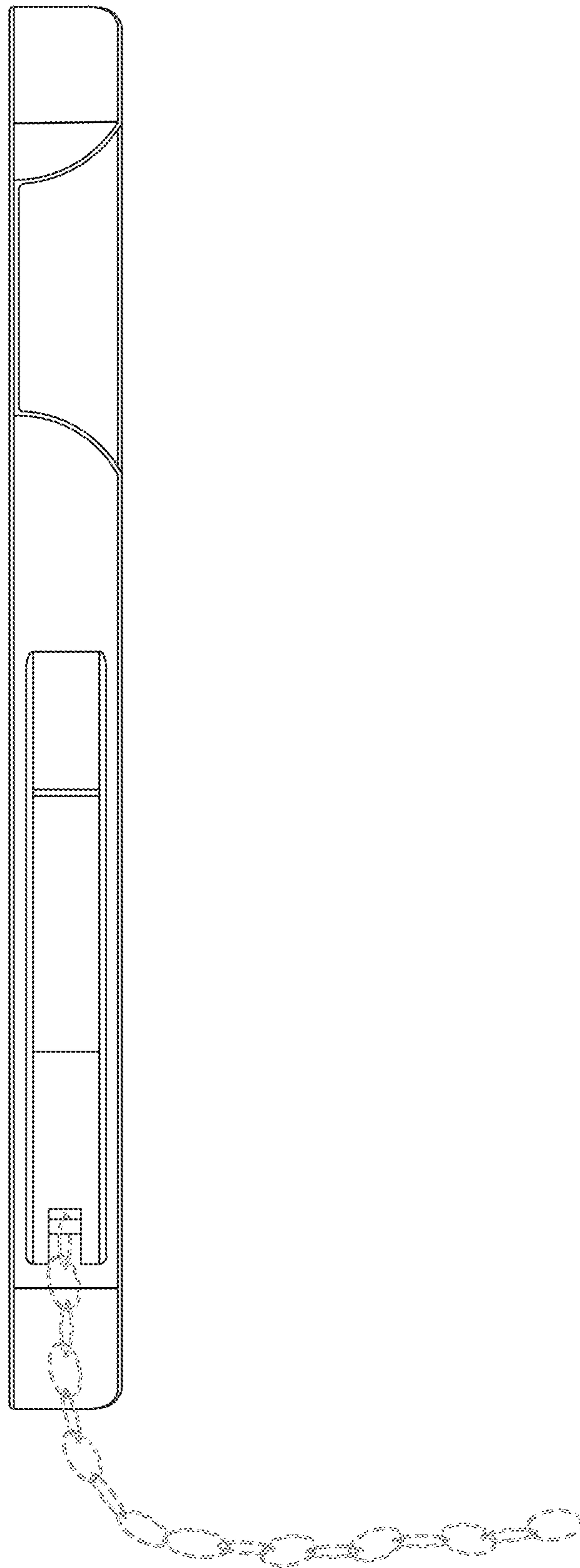


Fig. 14