



US00D802569S

(12) **United States Design Patent** (10) **Patent No.:** **US D802,569 S**  
**Zheng et al.** (45) **Date of Patent:** **\*\* Nov. 14, 2017**

- (54) **ANTENNA**
- (71) Applicant: **Airgain Incorporated**, San Diego, CA (US)
- (72) Inventors: **Bei Zheng**, Zhang Jia Gang (CN); **Xiangjie Bian**, Zhang Jia Gang (CN); **Simon Yang**, Carlsbad, CA (US)
- (73) Assignee: **Airgain Incorporated**, San Diego, CA (US)
- (\*\*) Term: **15 Years**
- (21) Appl. No.: **29/555,724**
- (22) Filed: **Feb. 24, 2016**
- (51) **LOC (10) Cl.** ..... **14-03**
- (52) **U.S. Cl.**  
USPC ..... **D14/230**
- (58) **Field of Classification Search**  
USPC ..... D14/138, 230, 231, 232, 233, 234, 235, D14/236, 237, 238, 238.1, 299, 358; D13/175, 182  
CPC ..... G01R 29/10; G01S 2013/0245; G01S 2013/0254; G01S 2013/0263; G01S 7/4026; G05B 2219/45001; G06K 19/07773; G06K 19/07775; G06K 19/07777; G08B 13/2468; G08B 13/2477; H01Q 1/088  
See application file for complete search history.

7,061,437 B2	6/2006	Lin et al.	
7,148,849 B2	12/2006	Lin	
7,215,296 B2	5/2007	Abramov et al.	
D546,821 S	7/2007	Oliver	
D549,696 S	8/2007	Oshima et al.	
7,333,067 B2	2/2008	Hung et al.	
7,336,959 B2	2/2008	Khitrik et al.	
D573,589 S	7/2008	Montgomery et al.	
7,405,704 B1	7/2008	Lin et al.	
7,477,195 B2	1/2009	Vance	
D592,195 S	5/2009	Wu et al.	
7,570,215 B2	8/2009	Abramov et al.	
D599,334 S	9/2009	Chiang	
D606,053 S	12/2009	Wu et al.	
D607,442 S	1/2010	Su et al.	
D608,769 S	1/2010	Bufe	
D611,460 S *	3/2010	Chao .....	D14/230
D612,368 S	3/2010	Yang et al.	

(Continued)

**OTHER PUBLICATIONS**

<http://airgain.com/our-services/embedded-antennas/>—Retrieved on Jul. 18, 2017.\*

*Primary Examiner* — Manpreet Matharu  
*Assistant Examiner* — Mojtaba Tehrani  
(74) *Attorney, Agent, or Firm* — Clause Eight IPS; Michael Catania

(57) **CLAIM**

The ornamental design for an antenna, as shown and described.

**DESCRIPTION**

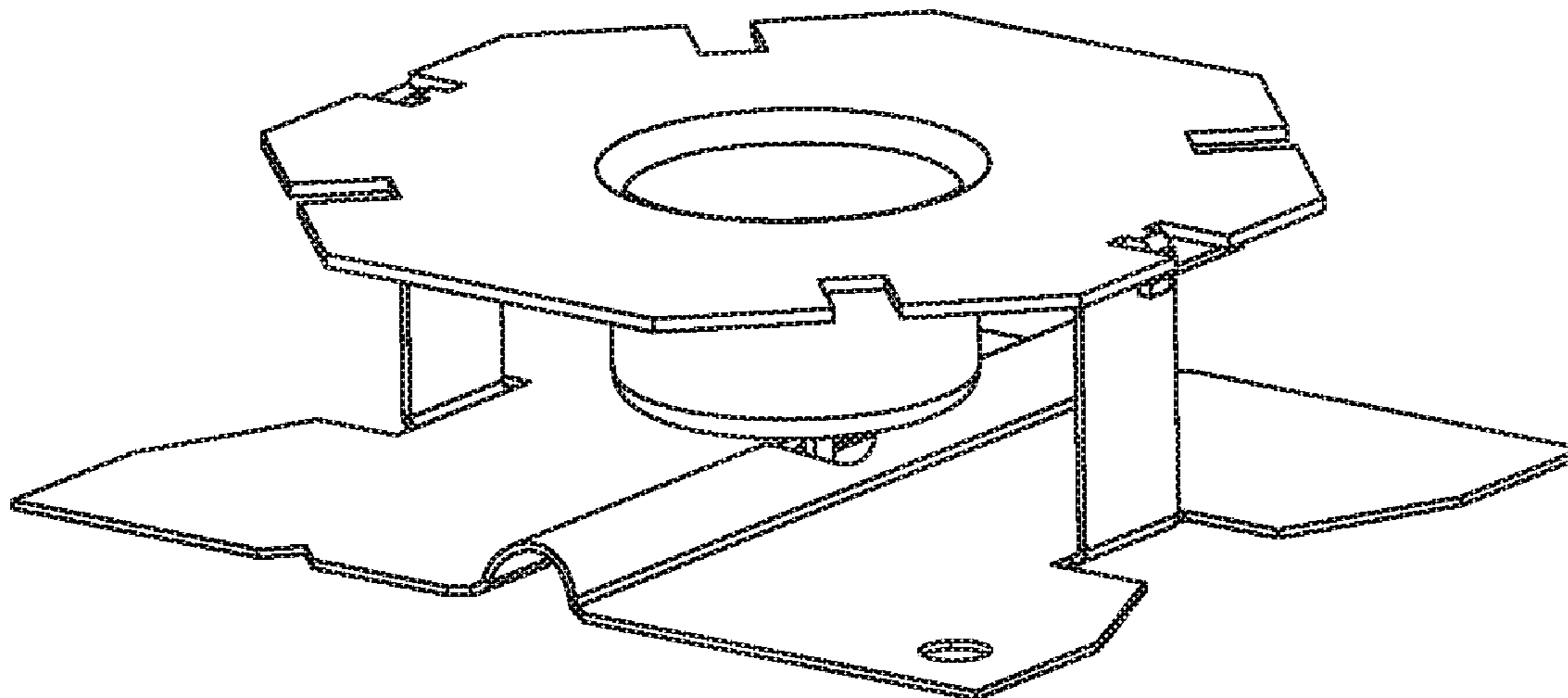
FIG. 1 is a top plan view of an antenna, showing our new design;  
FIG. 2 is a side elevation view thereof;  
FIG. 3 is a bottom plan view thereof;  
FIG. 4 is a top perspective view thereof;  
FIG. 5 is a front elevation view thereof; and,  
FIG. 6 is an exploded top perspective view thereof.

**1 Claim, 2 Drawing Sheets**

(56) **References Cited**

**U.S. PATENT DOCUMENTS**

- 3,831,209 A \* 8/1974 Clingman ..... A47G 23/0216 114/267
- D283,129 S \* 3/1986 Fourcher ..... D14/230
- D427,996 S \* 7/2000 Heiligenstein ..... 343/878
- D444,144 S \* 6/2001 Warner ..... D14/230
- D453,329 S \* 2/2002 Muramatsu ..... D14/230
- D457,877 S \* 5/2002 McDonald ..... D14/230
- D467,242 S \* 12/2002 Warner ..... D14/230



(56)

References Cited

U.S. PATENT DOCUMENTS

7,705,783 B2 4/2010 Rao et al.  
 7,729,662 B2 6/2010 Abramov et al.  
 D621,819 S 8/2010 Tsai et al.  
 7,843,390 B2 11/2010 Liu  
 D633,483 S 3/2011 Su et al.  
 D635,127 S 3/2011 Tsai et al.  
 7,907,971 B2 3/2011 Salo et al.  
 D635,560 S 4/2011 Tsai et al.  
 D635,963 S 4/2011 Podduturi  
 D635,964 S 4/2011 Podduturi  
 D635,965 S 4/2011 Mi et al.  
 D636,382 S 4/2011 Podduturi  
 7,965,242 B2 6/2011 Abramov et al.  
 D649,962 S 12/2011 Tseng et al.  
 D651,198 S 12/2011 Mi et al.  
 D654,059 S 2/2012 Mi et al.  
 D654,060 S 2/2012 Ko et al.  
 D658,639 S 5/2012 Huang et al.  
 D659,129 S 5/2012 Mi et al.  
 D659,685 S 5/2012 Huang et al.  
 D659,688 S 5/2012 Huang et al.  
 8,175,036 B2 5/2012 Visuri et al.  
 D662,916 S 7/2012 Huang et al.  
 8,248,970 B2 8/2012 Abramov et al.  
 D671,097 S 11/2012 Mi et al.  
 8,310,402 B2 11/2012 Yang  
 D676,429 S 2/2013 Gosalia et al.  
 D678,255 S 3/2013 Ko et al.  
 8,423,084 B2 4/2013 Abramov et al.  
 D684,565 S 6/2013 Wei  
 D685,352 S 7/2013 Wei  
 D685,772 S 7/2013 Zheng et al.  
 D686,600 S 7/2013 Yang  
 D689,474 S 9/2013 Yang et al.  
 D692,870 S 11/2013 He

D694,738 S 12/2013 Yang  
 D695,279 S 12/2013 Yang et al.  
 D695,280 S 12/2013 Yang et al.  
 D703,195 S 4/2014 Zheng  
 D703,196 S 4/2014 Zheng  
 D706,247 S 6/2014 Zheng et al.  
 D706,750 S 6/2014 Bringuir  
 D706,751 S 6/2014 Chang et al.  
 D708,602 S 7/2014 Gosalia et al.  
 D709,053 S 7/2014 Chang et al.  
 D710,832 S 8/2014 Yang  
 D710,833 S 8/2014 Zheng et al.  
 D713,392 S \* 9/2014 Podduturi ..... D14/230  
 8,854,265 B1 10/2014 Yang et al.  
 D716,775 S 11/2014 Bidermann  
 D738,866 S \* 9/2015 Podduturi ..... D14/230  
 D746,798 S \* 1/2016 Grundy ..... D14/230  
 D773,443 S \* 12/2016 Sano ..... D14/230  
 D775,612 S \* 1/2017 Sano ..... D14/230  
 D790,514 S \* 6/2017 Woodward ..... D10/65  
 2002/0003499 A1 1/2002 Kouam et al.  
 2004/0222936 A1 11/2004 Hung et al.  
 2005/0073462 A1 4/2005 Lin et al.  
 2005/0190108 A1 9/2005 Lin et al.  
 2006/0208900 A1 9/2006 Hozouri  
 2007/0030203 A1 2/2007 Tsai et al.  
 2008/0150829 A1 6/2008 Lin et al.  
 2009/0002244 A1 1/2009 Woo  
 2009/0058739 A1 3/2009 Konishi  
 2009/0135072 A1 5/2009 Ke et al.  
 2009/0262028 A1 10/2009 Mumbru et al.  
 2010/0188297 A1 7/2010 Chen et al.  
 2010/0309067 A1 12/2010 Tsou et al.  
 2011/0006950 A1 1/2011 Park et al.  
 2012/0038514 A1 2/2012 Bang  
 2012/0229348 A1 9/2012 Chiang  
 2012/0242546 A1 9/2012 Hu et al.

\* cited by examiner

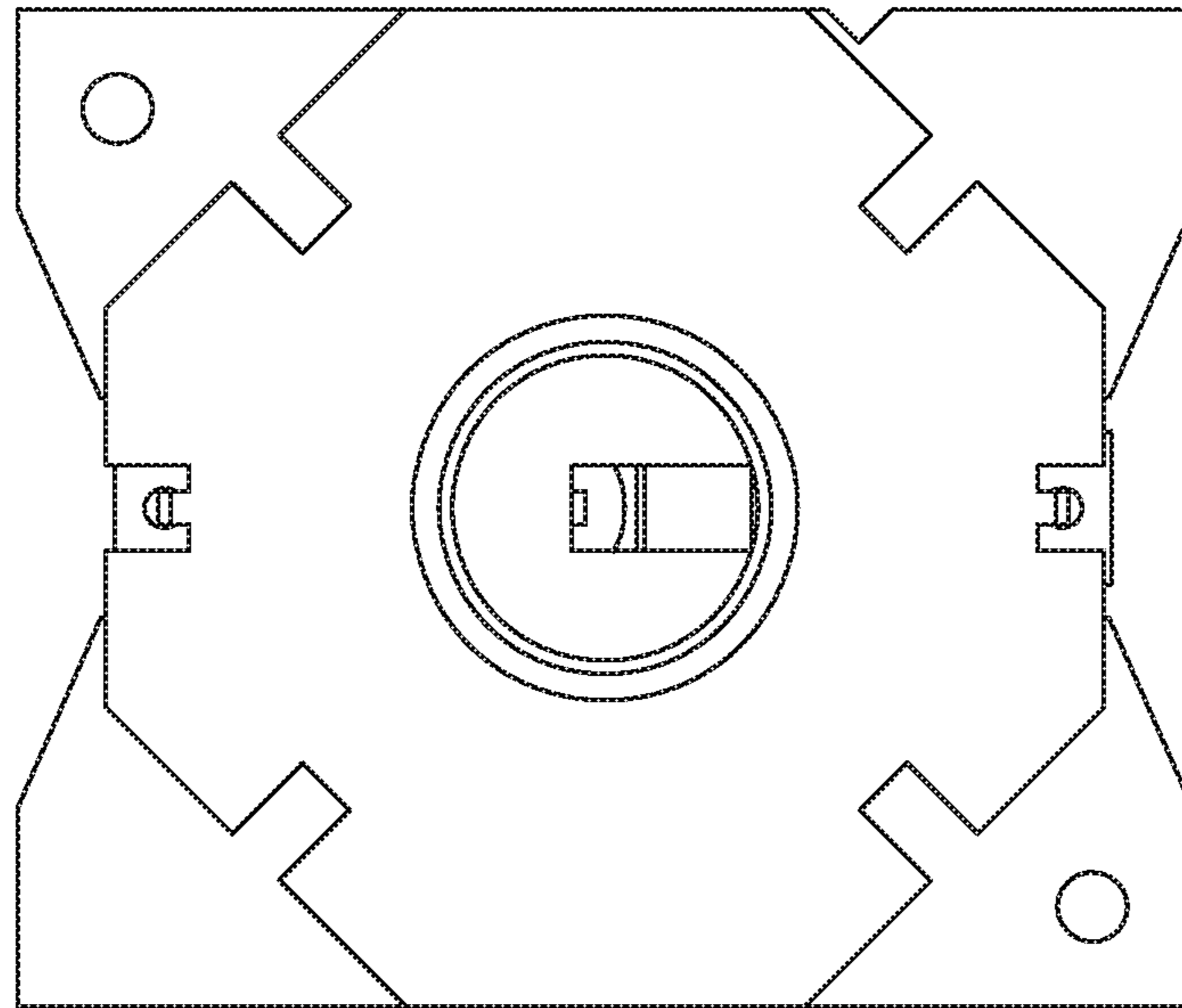


FIG. 1

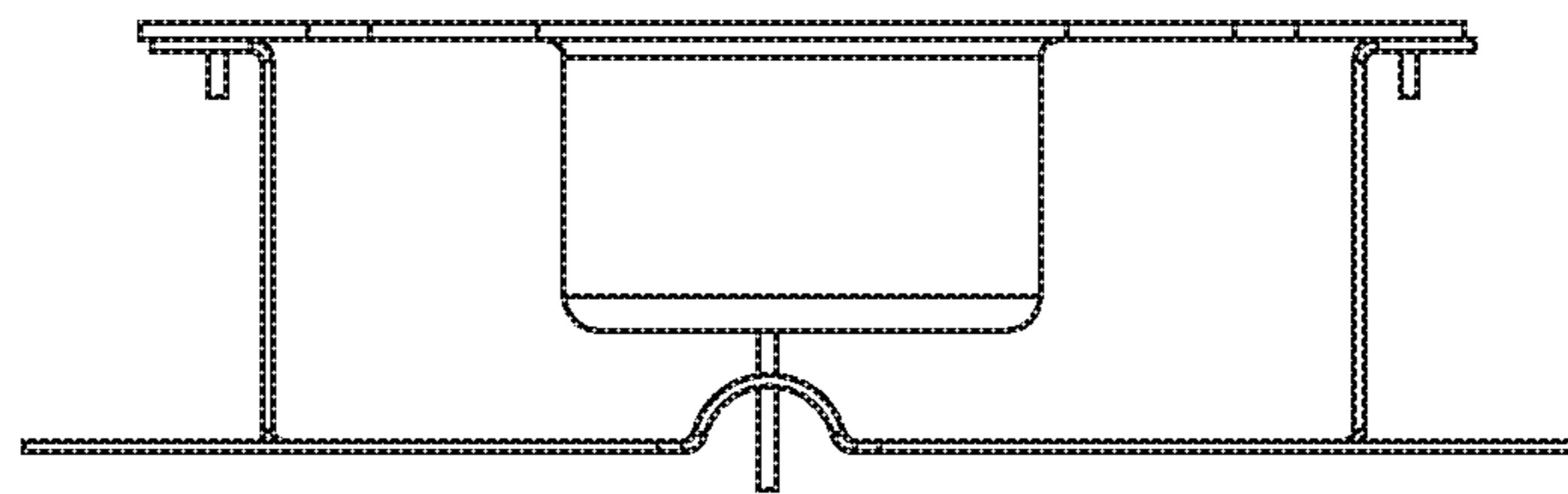


FIG. 2

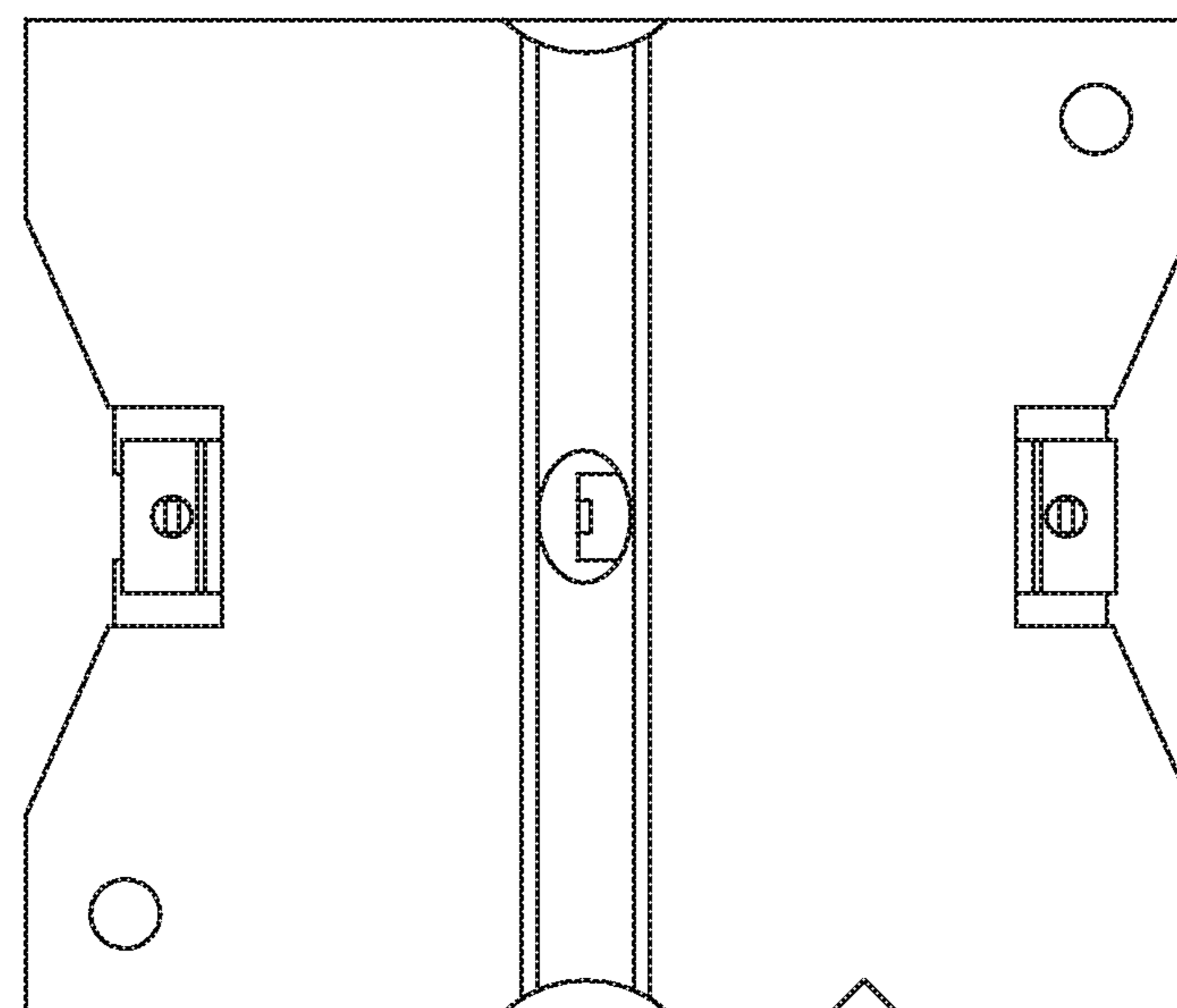


FIG. 3

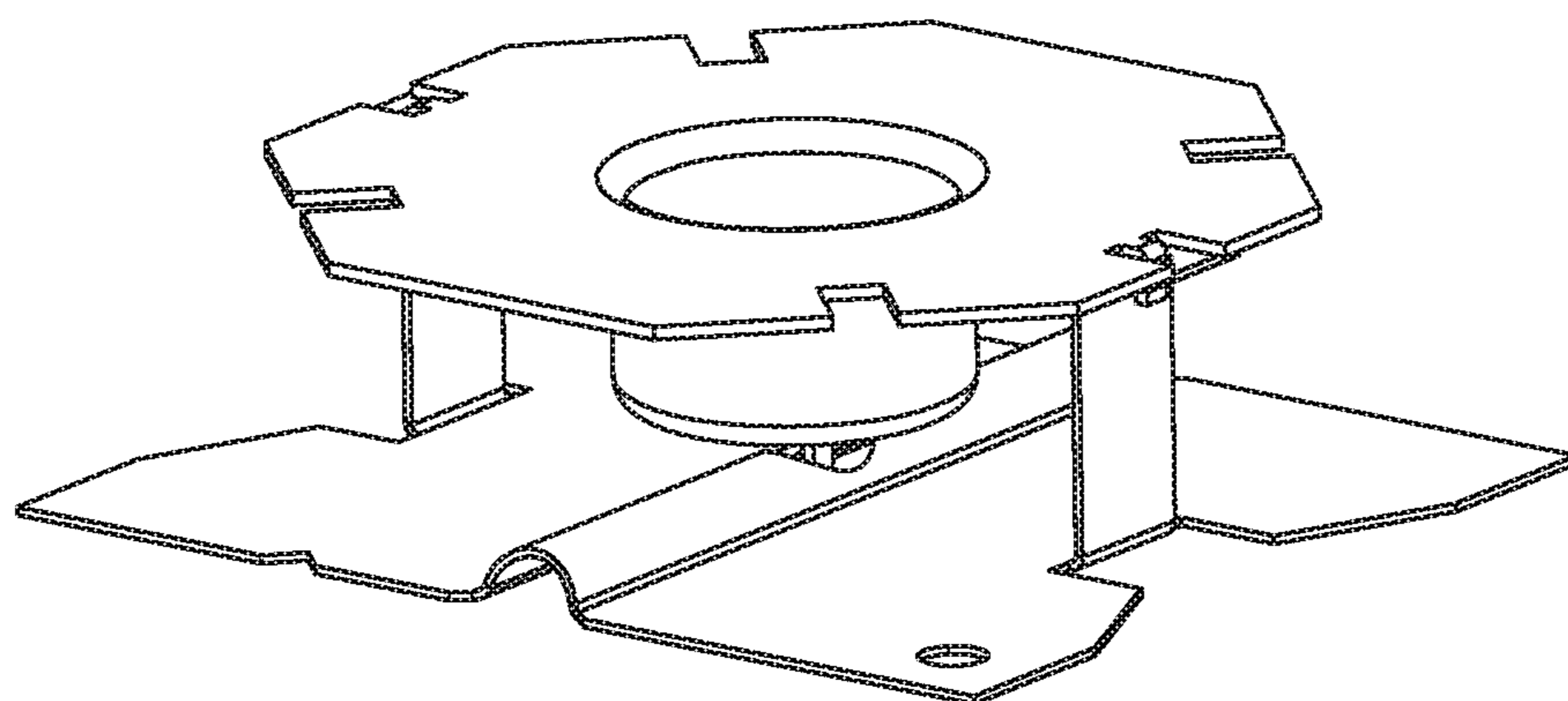


FIG. 4

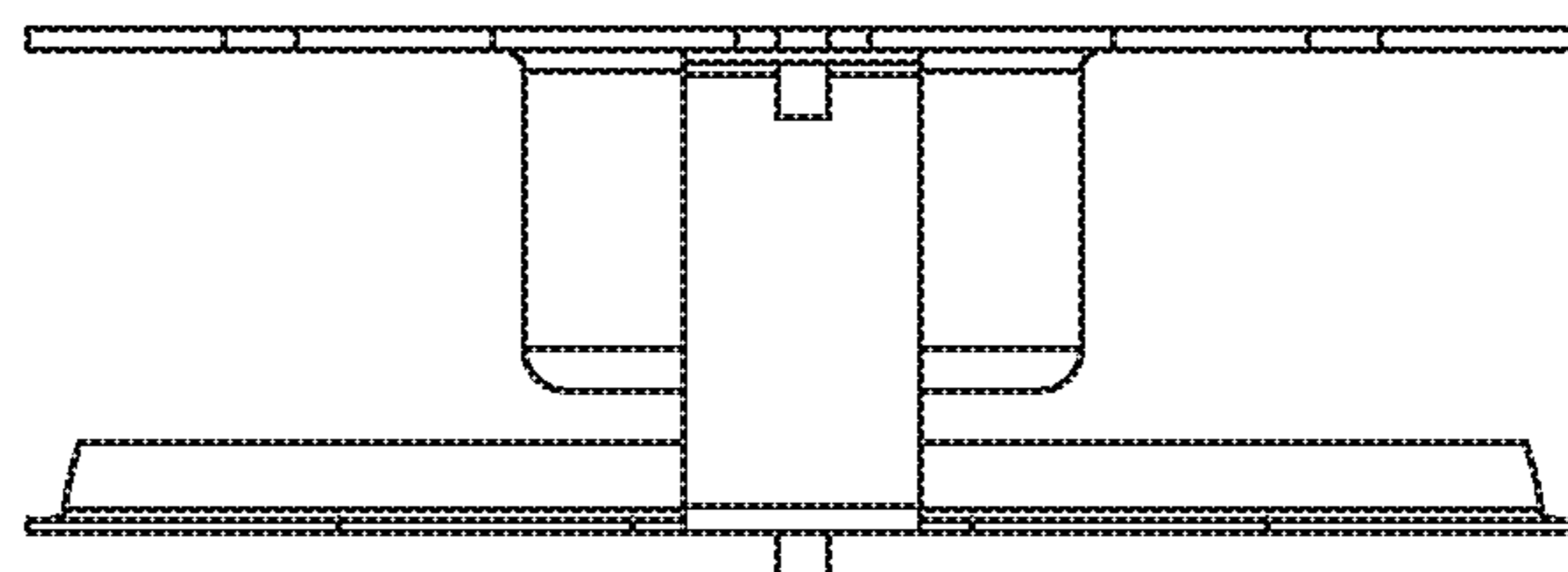


FIG. 5

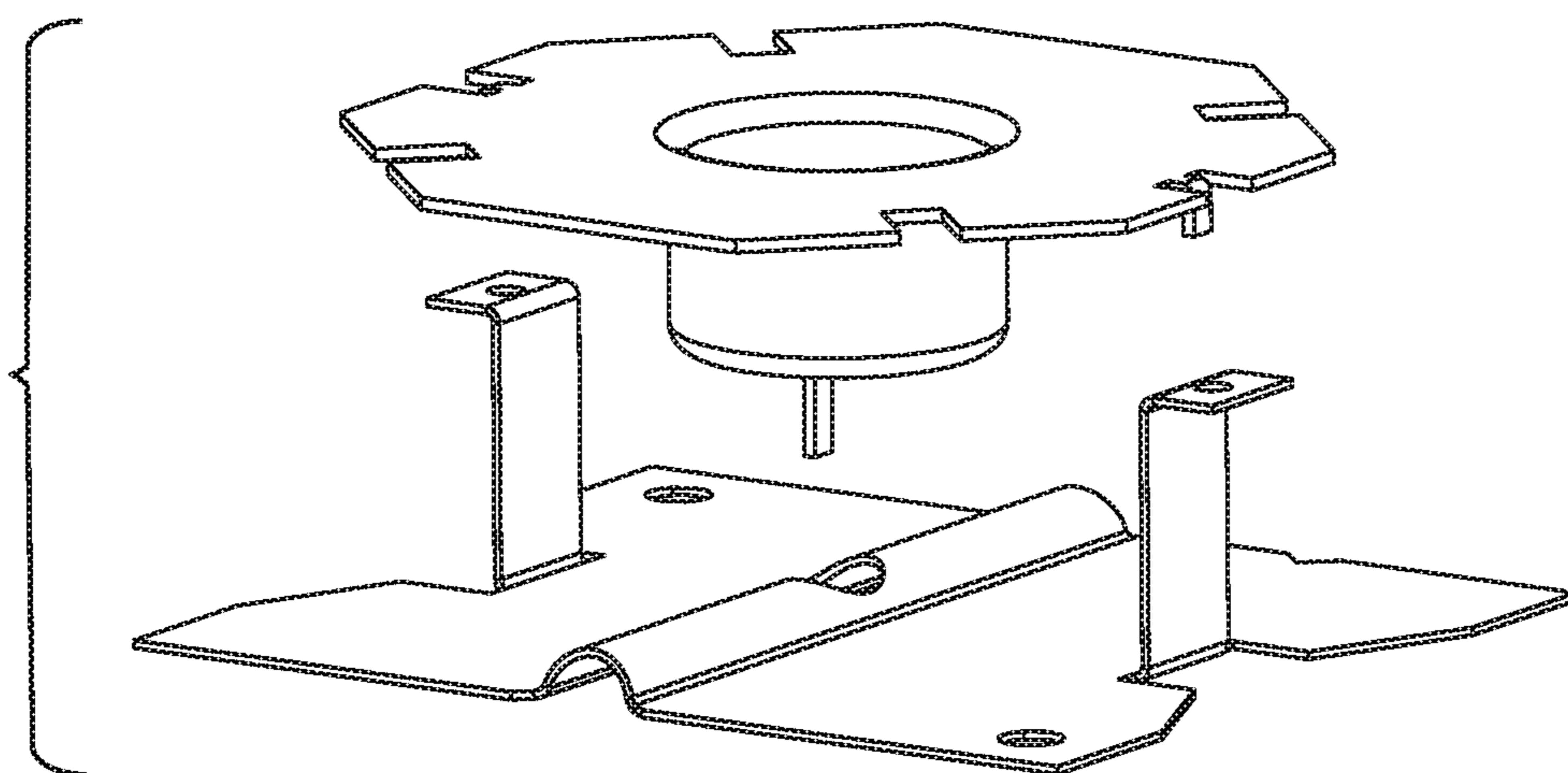


FIG. 6