

US00D802566S

(12) **United States Design Patent** (10) **Patent No.:** **US D802,566 S**
Yang (45) **Date of Patent:** **** Nov. 14, 2017**

- (54) **ANTENNA**
- (71) Applicant: **Airgain, Incorporated**, San Diego, CA (US)
- (72) Inventor: **Simon Yang**, Carlsbad, CA (US)
- (73) Assignee: **Airgain Incorporated**, San Diego, CA (US)
- (**) Term: **15 Years**
- (21) Appl. No.: **29/528,007**
- (22) Filed: **May 24, 2015**
- (51) **LOC (10) Cl.** **14-03**
- (52) **U.S. Cl.**
USPC **D14/230**
- (58) **Field of Classification Search**
USPC D14/230, 234, 238
CPC B06H 1/00357; B06H 1/00207; B06H 1/00514; B06H 1/00014; F24F 2221/16; H01Q 1/12; H01Q 1/00; H01Q 1/007; H01Q 1/084; H01Q 1/088; H01Q 1/10; H01Q 7/00; H01Q 13/10; H01Q 9/285; H01Q 19/30; H01Q 19/12; H01Q 1/38; H04B 1/0475; H04B 1/034; H04B 13/00; H04B 14/00; H05K 11/00
See application file for complete search history.

7,477,195 B2	1/2009	Vance	
D589,035 S *	3/2009	Hellgren D14/230
D592,195 S	5/2009	Wu et al.	
7,570,215 B2	8/2009	Abramov et al.	
D599,334 S	9/2009	Chiang	
D606,053 S	12/2009	Wu et al.	
D607,442 S	1/2010	Su et al.	
D608,769 S	1/2010	Bufe	
D612,368 S	3/2010	Yang et al.	
7,705,783 B2	4/2010	Rao et al.	
7,729,662 B2	6/2010	Abramov et al.	
D621,819 S	8/2010	Tsai et al.	
7,843,390 B2	11/2010	Liu	
D633,483 S	3/2011	Su et al.	
D635,127 S	3/2011	Tsai et al.	
7,907,971 B2	3/2011	Salo et al.	
D635,560 S	4/2011	Tsai et al.	
D635,963 S	4/2011	Poddaturi	
D635,964 S	4/2011	Poddaturi	

(Continued)

Primary Examiner — Karen Kearney
Assistant Examiner — Debra Callahan
 (74) *Attorney, Agent, or Firm* — Clause Eight IPS; Michael Catania

(57) **CLAIM**

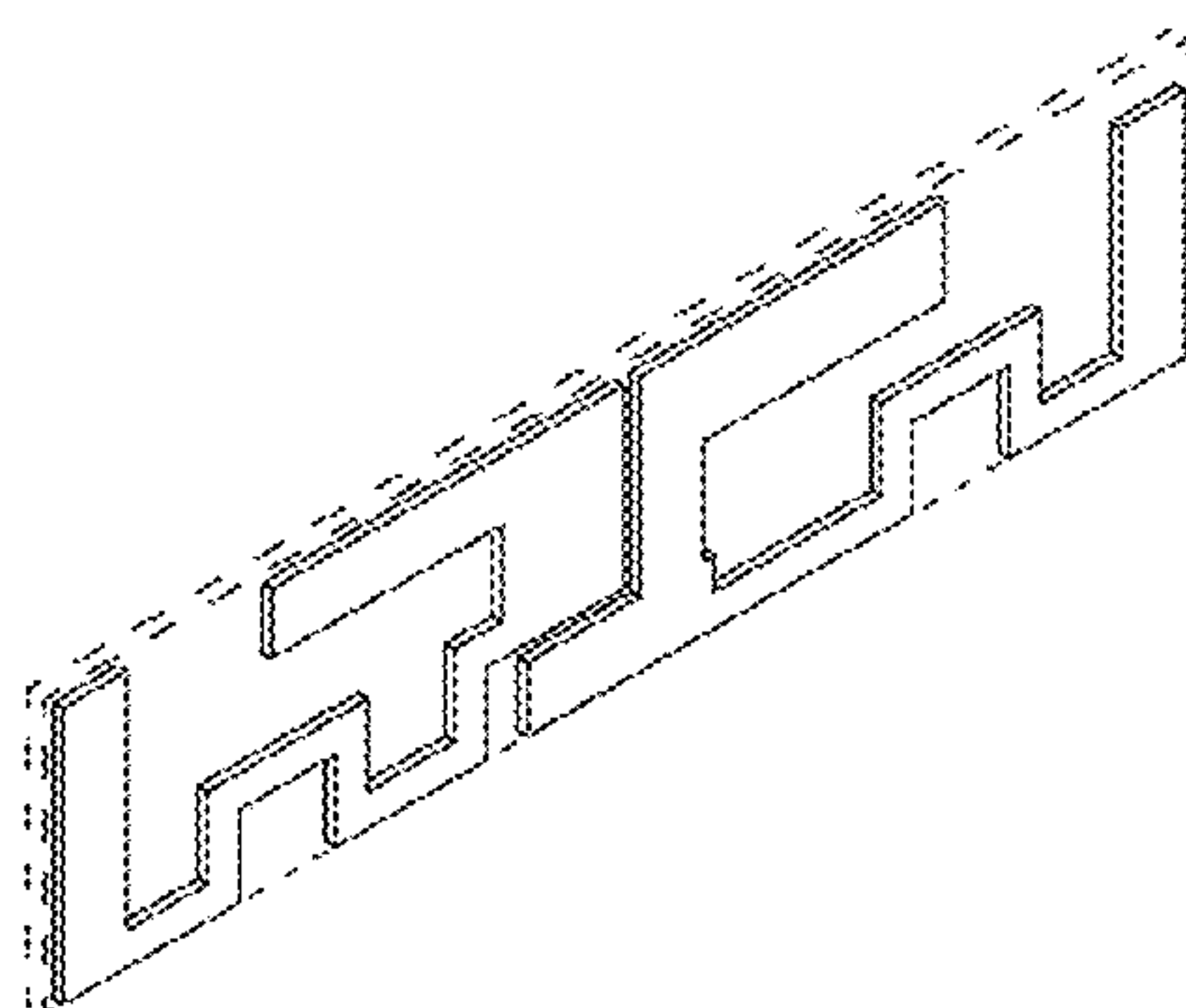
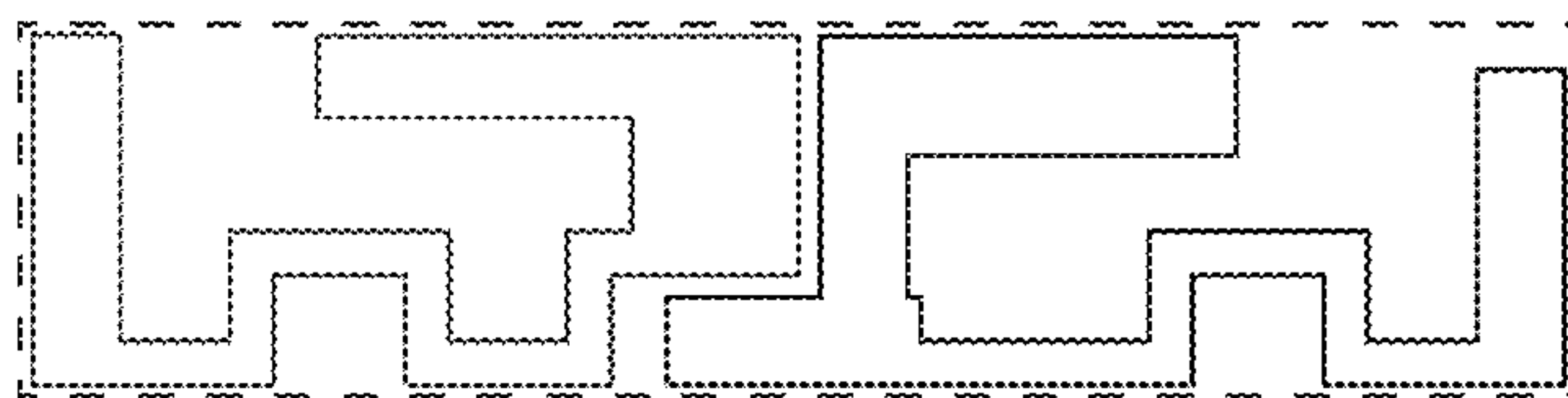
The ornamental design for an antenna, as shown and described.

DESCRIPTION

FIG. 1 is a top plan view of an antenna;
 FIG. 2 is a left side elevational view thereof;
 FIG. 3 is a rear plan view thereof;
 FIG. 4 is top, front perspective view thereof;
 FIG. 5 is another top plan view thereof shown with the base element removed for ease of illustration; and,
 FIG. 6 is another left side elevational view thereof shown with the base element removed for ease of illustration.
 The broken lines showing a base in FIGS. 1-4 represent environment and form no part of the claimed design.

1 Claim, 2 Drawing Sheets

- (56) **References Cited**
U.S. PATENT DOCUMENTS
- | | | |
|--------------|---------|-------------------|
| 7,061,437 B2 | 6/2006 | Lin et al. |
| 7,148,849 B2 | 12/2006 | Lin |
| 7,215,296 B2 | 5/2007 | Abramov et al. |
| D546,821 S | 7/2007 | Oliver |
| D549,696 S | 8/2007 | Oshima et al. |
| 7,333,067 B2 | 2/2008 | Hung et al. |
| 7,336,959 B2 | 2/2008 | Khitrik et al. |
| D573,589 S | 7/2008 | Montgomery et al. |
| 7,405,704 B1 | 7/2008 | Lin et al. |



(56)

References Cited

U.S. PATENT DOCUMENTS

D635,965 S 4/2011 Mi et al.
 D636,382 S 4/2011 Podduturi
 7,965,242 B2 6/2011 Abramov et al.
 D649,962 S 12/2011 Tseng et al.
 D651,198 S 12/2011 Mi et al.
 D654,059 S 2/2012 Mi et al.
 D654,060 S 2/2012 Ko et al.
 D658,639 S 5/2012 Huang et al.
 D659,129 S 5/2012 Mi et al.
 D659,685 S 5/2012 Huang et al.
 D659,688 S 5/2012 Huang et al.
 8,175,036 B2 5/2012 Visuri et al.
 8,184,601 B2 5/2012 Abramov et al.
 D662,916 S 7/2012 Huang et al.
 8,248,970 B2 8/2012 Abramov et al.
 D671,097 S 11/2012 Mi et al.
 8,310,402 B2 11/2012 Yang
 D676,429 S 2/2013 Gosalia et al.
 D678,255 S 3/2013 Ko et al.
 8,423,084 B2 4/2013 Abramov et al.
 D684,565 S 6/2013 Wei
 D685,352 S 7/2013 Wei
 D685,772 S 7/2013 Zheng et al.
 D686,600 S 7/2013 Yang
 D689,474 S * 9/2013 Yang D14/230
 D692,870 S 11/2013 He
 D694,738 S 12/2013 Yang
 D695,279 S 12/2013 Yang et al.
 D695,280 S 12/2013 Yang et al.
 D703,195 S 4/2014 Zheng
 D703,196 S 4/2014 Zheng
 D706,247 S 6/2014 Zheng et al.
 D706,750 S 6/2014 Bringuir
 D706,751 S 6/2014 Chang et al.
 D708,602 S 7/2014 Gosalia et al.
 D709,053 S * 7/2014 Chang D14/230

D710,339 S * 8/2014 Bishop D14/230
 D710,832 S 8/2014 Yang
 D710,833 S * 8/2014 Zheng D14/230
 8,854,265 B1 10/2014 Yang et al.
 D716,775 S * 11/2014 Bidermann D14/230
 D764,447 S * 8/2016 Yang D14/230
 D766,883 S * 9/2016 Yang D14/230
 2002/0003499 A1 1/2002 Kouarn et al.
 2004/0222936 A1 11/2004 Hung et al.
 2005/0073462 A1 4/2005 Lin et al.
 2005/0190108 A1 9/2005 Lin et al.
 2006/0208900 A1 9/2006 Tavassoli Hozouri
 2007/0030203 A1 2/2007 Tsai et al.
 2008/0150829 A1 6/2008 Lin et al.
 2009/0002244 A1 1/2009 Woo
 2009/0058739 A1 3/2009 Konishi
 2009/0135072 A1 5/2009 Ke et al.
 2009/0262028 A1 10/2009 Mumbru et al.
 2010/0025467 A1 * 2/2010 Leone A47B 13/00
 235/439
 2010/0164828 A1 * 7/2010 Huang H01Q 1/38
 343/843
 2010/0188297 A1 7/2010 Chen et al.
 2010/0309067 A1 12/2010 Tsou et al.
 2011/0006950 A1 1/2011 Park et al.
 2011/0012789 A1 * 1/2011 Yang H01Q 1/38
 343/700 MS
 2012/0038514 A1 2/2012 Bang
 2012/0229348 A1 9/2012 Chiang
 2012/0242546 A1 9/2012 Hu et al.
 2013/0113661 A1 * 5/2013 Chen H01Q 1/24
 343/700 MS
 2015/0162664 A1 * 6/2015 Kawata H01Q 9/285
 343/749
 2015/0303556 A1 * 10/2015 Flores-Cuadras H01Q 1/085
 343/893
 2016/0141762 A1 * 5/2016 Li H01Q 9/145
 343/750

* cited by examiner

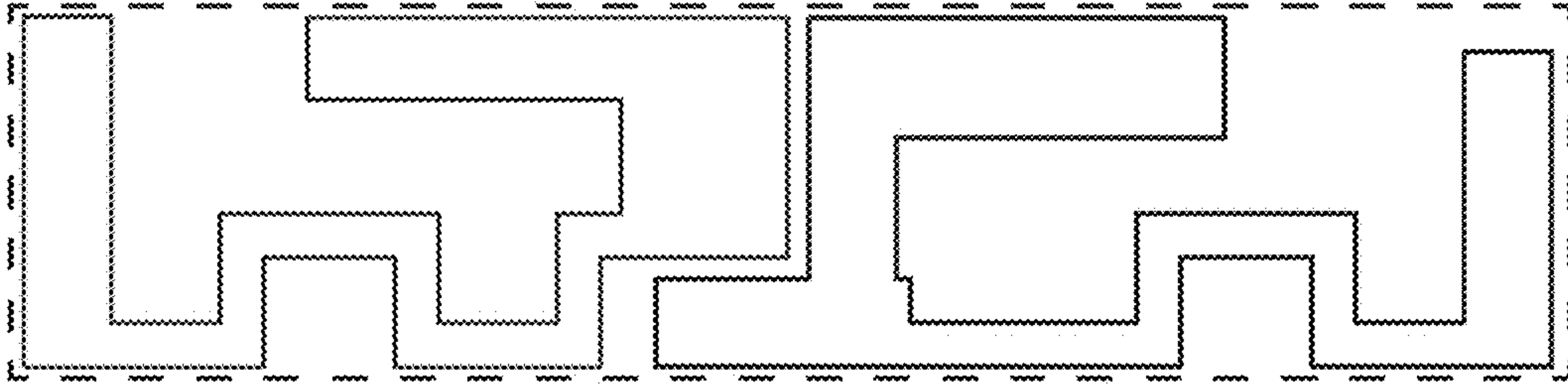


FIG. 1

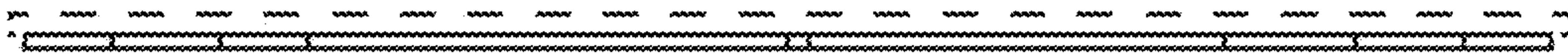


FIG. 2

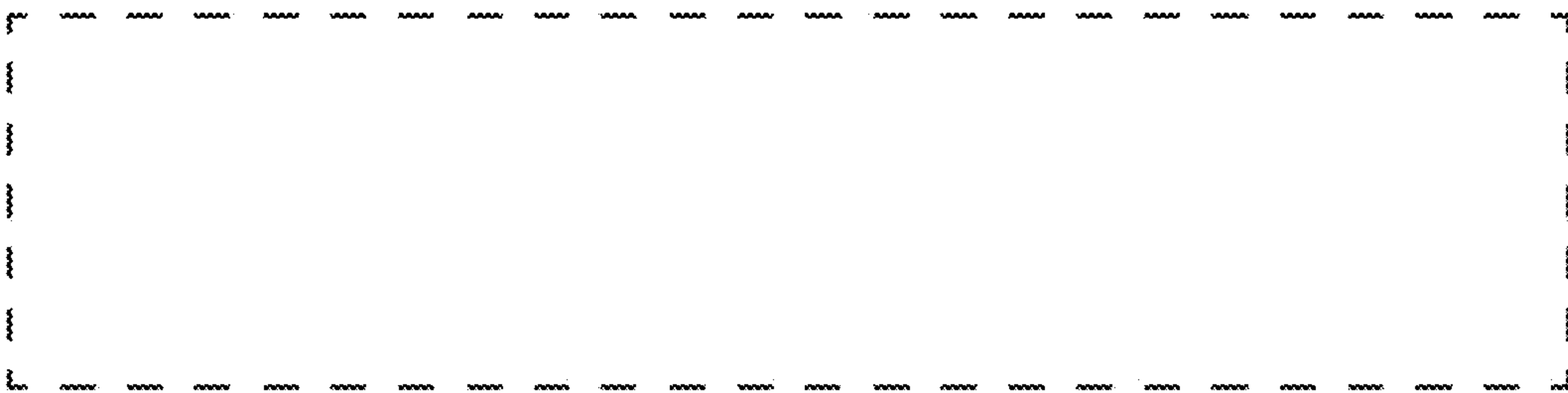


FIG. 3

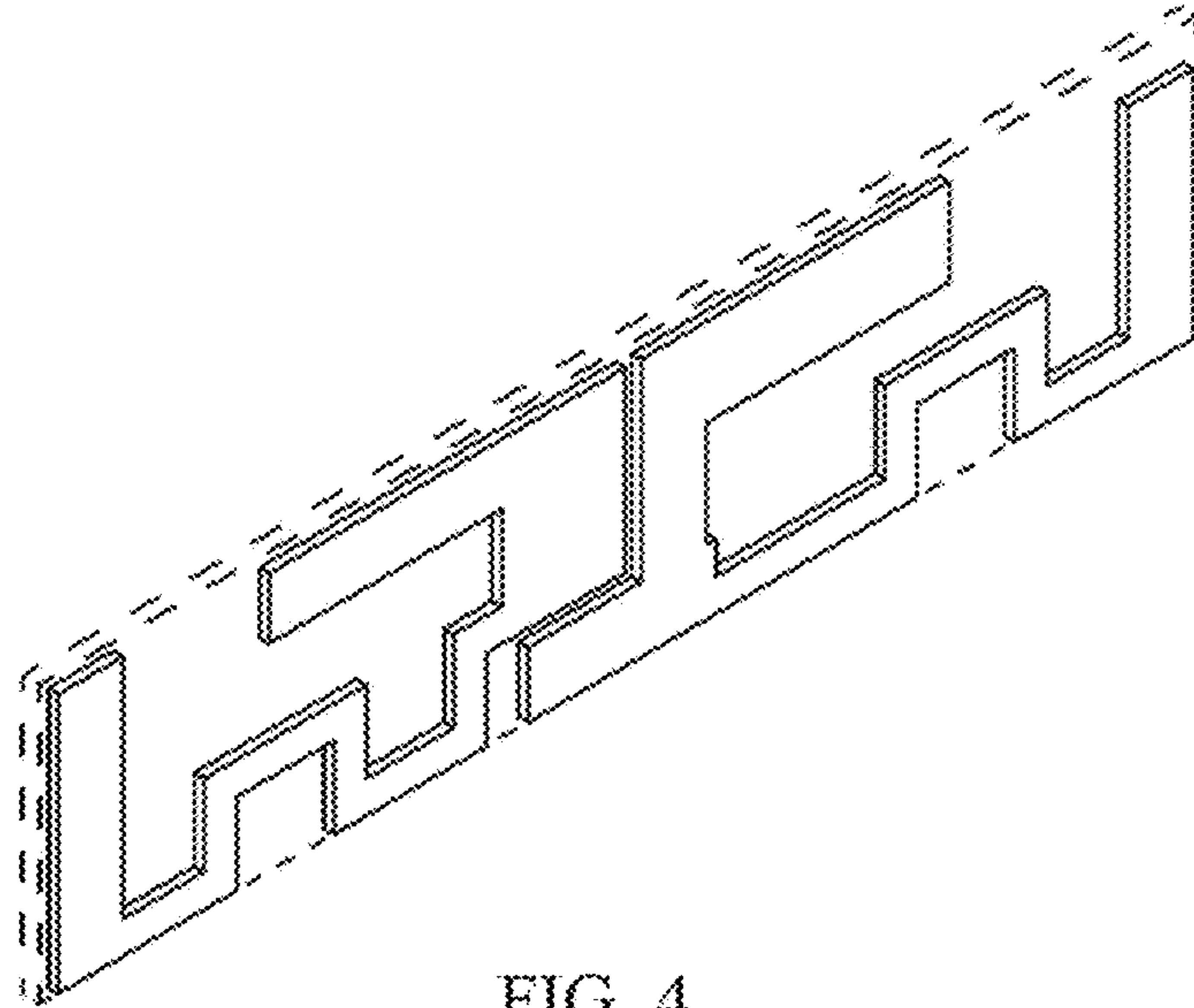


FIG. 4

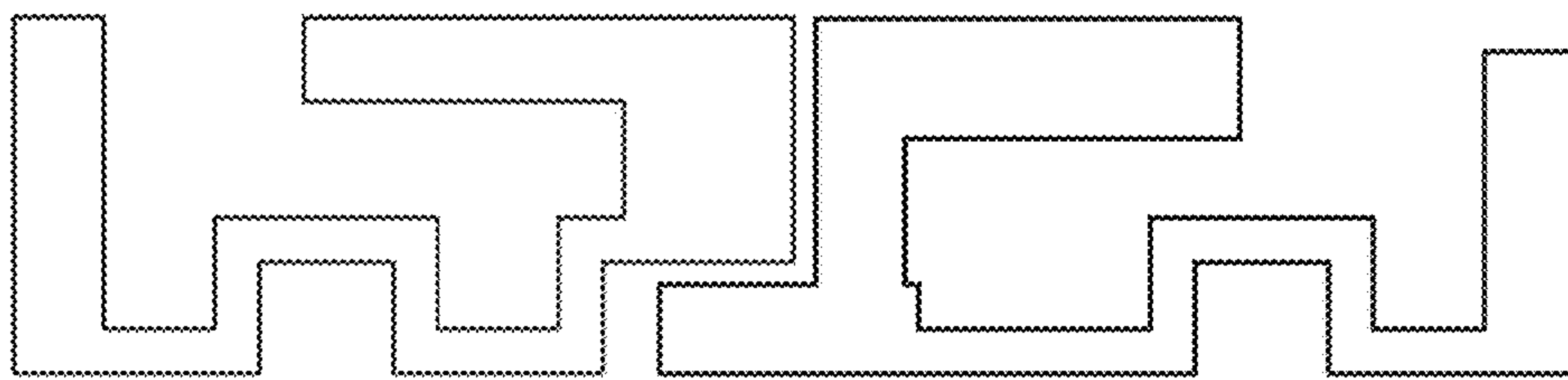


FIG. 5

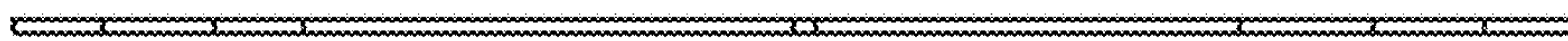


FIG. 6