



US00D802565S

(12) **United States Design Patent**
Fariello

(10) **Patent No.:** **US D802,565 S**

(45) **Date of Patent:** **** Nov. 14, 2017**

- (54) **TRANSCEIVER**
- (71) Applicant: **COMMSCOPE TECHNOLOGIES LLC**, Hickory, NC (US)
- (72) Inventor: **Patrick Lee Fariello**, Murphy, TX (US)
- (73) Assignee: **CommScope Technologies LLC**, Hickory, NC (US)
- (**) Term: **14 Years**
- (21) Appl. No.: **29/525,697**
- (22) Filed: **May 1, 2015**

- D471,543 S 3/2003 Yang et al.
- D508,899 S 8/2005 Suzuki
- D530,325 S 10/2006 Kerila et al.
- D544,497 S 6/2007 Kindle et al.
- D546,295 S 7/2007 Marchetto
- D548,731 S 8/2007 Liu et al.
- D556,163 S 11/2007 Oota
- D559,809 S 1/2008 Oota
- D561,750 S 2/2008 Liu et al.
- D576,581 S 9/2008 Son et al.
- D594,877 S 6/2009 Iino et al.
- D598,436 S 8/2009 Tseng
- D607,443 S 1/2010 Klein et al.
- D609,701 S 2/2010 Hou
- D611,462 S * 3/2010 McGuire D14/240

(Continued)

Related U.S. Application Data

- (63) Continuation of application No. 29/438,557, filed on Nov. 30, 2012, now Pat. No. Des. 732,512.
- (51) **LOC (10) Cl.** **14-03**
- (52) **U.S. Cl.**
USPC **D14/230**
- (58) **Field of Classification Search**
USPC D14/230-238, 299, 358, 356, 240, 242;
343/700 R, 840, 841, 908; 455/3.02,
455/FOR. 215, 575.2
CPC H01Q 7/00; H01Q 13/10; H01Q 9/285;
H01Q 19/30; H01Q 19/12; H01Q 1/38;
H04B 1/0475; H04B 1/034; H05K 11/00
See application file for complete search history.

(56) **References Cited**

U.S. PATENT DOCUMENTS

- D288,788 S 3/1987 Richard
- D408,823 S 4/1999 Kirby
- D424,028 S 5/2000 Vaiani
- D431,557 S 10/2000 Lutz, Jr. et al.
- D445,789 S 7/2001 Zmehrir
- D451,919 S 12/2001 Abboud
- D460,443 S 7/2002 Brunner et al.

OTHER PUBLICATIONS

U.S. Appl. No. 29/438,557, Notice of Allowance mailed Mar. 11, 2015.

(Continued)

Primary Examiner — John Windmuller
(74) *Attorney, Agent, or Firm* — Fogg & Powers LLC

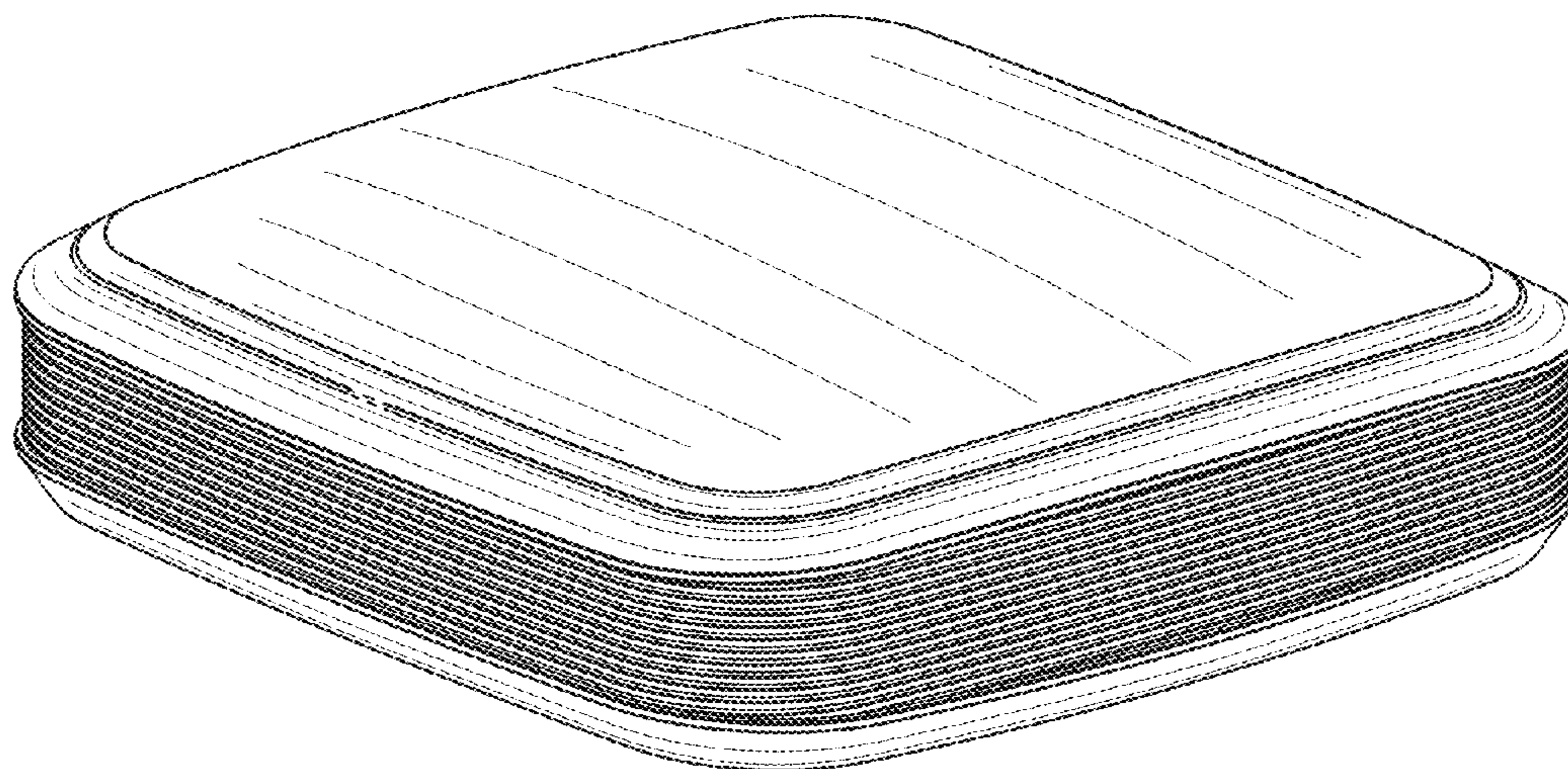
(57) **CLAIM**

The ornamental design for an transceiver, as shown and described.

DESCRIPTION

FIG. 1 is a perspective view of an antenna case.
FIG. 2 is another perspective view of the antenna case of FIG. 1.
FIG. 3 is a front view of the antenna case of FIG. 1.
FIG. 4 is a right side view of the antenna case of FIG. 1, the left side view being a mirror image of the right side view; and,
FIG. 5 is a top view of the antenna case of FIG. 1, a bottom view being a mirror image of the top view.

1 Claim, 4 Drawing Sheets



(56)

References Cited

U.S. PATENT DOCUMENTS

D624,915 S 10/2010 Ferreira
 D627,345 S 11/2010 Govindasamy et al.
 D633,098 S 2/2011 Kim et al.
 D639,752 S 6/2011 Li et al.
 D640,655 S 6/2011 Kim et al.
 D641,327 S 7/2011 Falakfarsa et al.
 D644,221 S 8/2011 Kemery et al.
 D651,993 S 1/2012 Cheng
 D658,598 S 5/2012 Ling et al.
 D659,690 S 5/2012 Huang
 D660,839 S 5/2012 Govindasamy et al.
 D664,126 S 7/2012 Feit
 D664,143 S 7/2012 Chaturvedi et al.
 D670,277 S 11/2012 Huang
 D671,100 S 11/2012 Huang
 D677,635 S 3/2013 Ling et al.
 D686,198 S 7/2013 Lewis et al.
 D686,201 S 7/2013 Lee
 D692,884 S 11/2013 Kim et al.
 D693,808 S 11/2013 Kim et al.

D694,233 S 11/2013 Hoofnagle et al.
 D694,753 S 12/2013 Mcmanigal et al.
 D695,727 S 12/2013 Shimizu
 D702,141 S 4/2014 Jung et al.
 D702,236 S 4/2014 Gelinotte et al.
 D705,201 S 5/2014 Isaacs et al.
 D705,224 S 5/2014 Govindasamy et al.
 D710,824 S 8/2014 Mackiewicz et al.
 D711,359 S 8/2014 Marzynski et al.
 D715,228 S 10/2014 Lee et al.
 D717,284 S 11/2014 Kurosawa et al.
 D719,153 S 12/2014 Lim et al.
 D722,983 S 2/2015 Paredes
 D751,515 S 3/2016 Paredes
 2006/0201833 A1 9/2006 Chen
 2013/0063259 A1 3/2013 Kramer et al.

OTHER PUBLICATIONS

U.S. Patent Office, "Office Action", "from U.S. Appl. No. 29/525,705", dated Apr. 22, 2016, pp. 1-15, Published in: US.

* cited by examiner

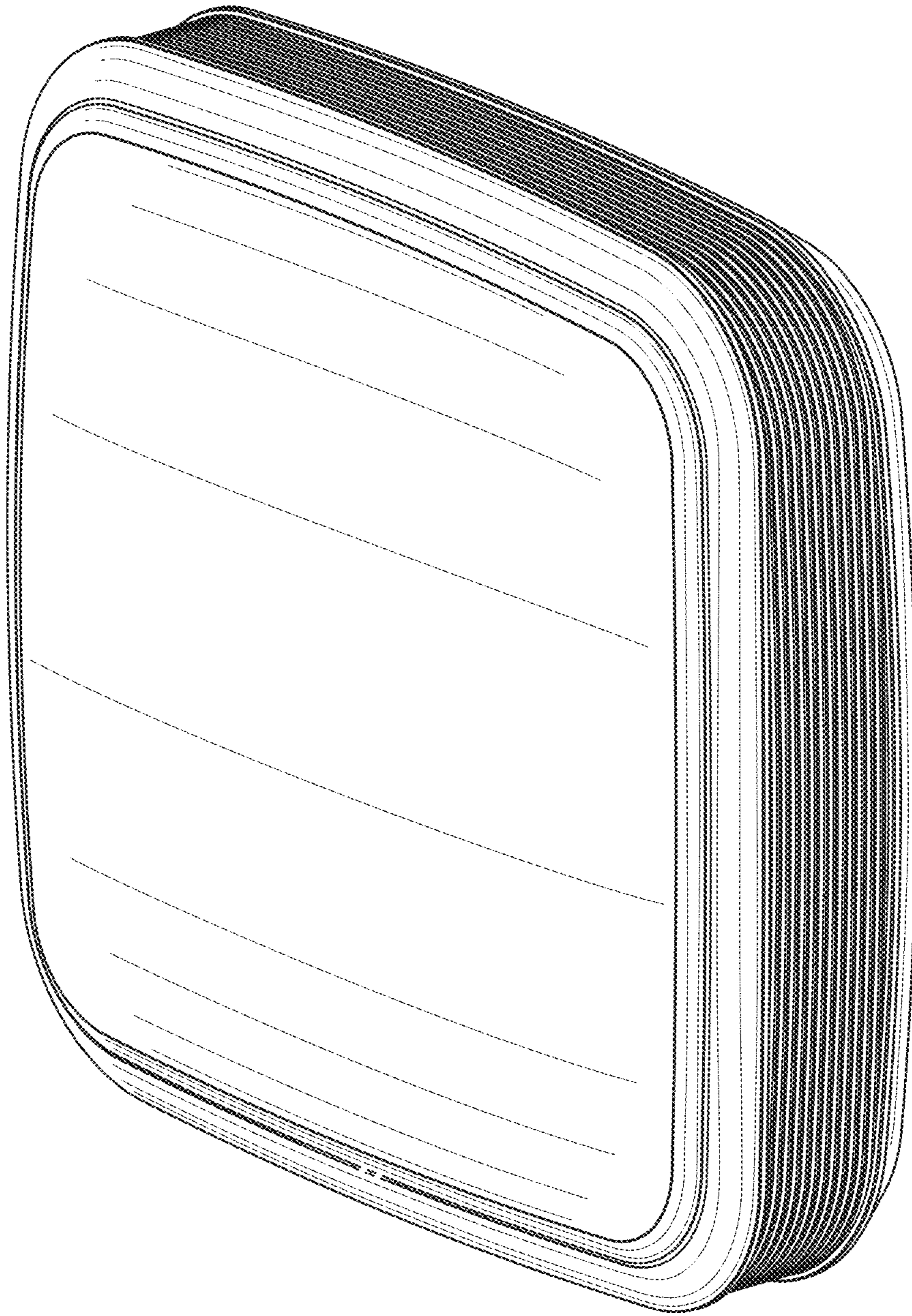


FIG. 1

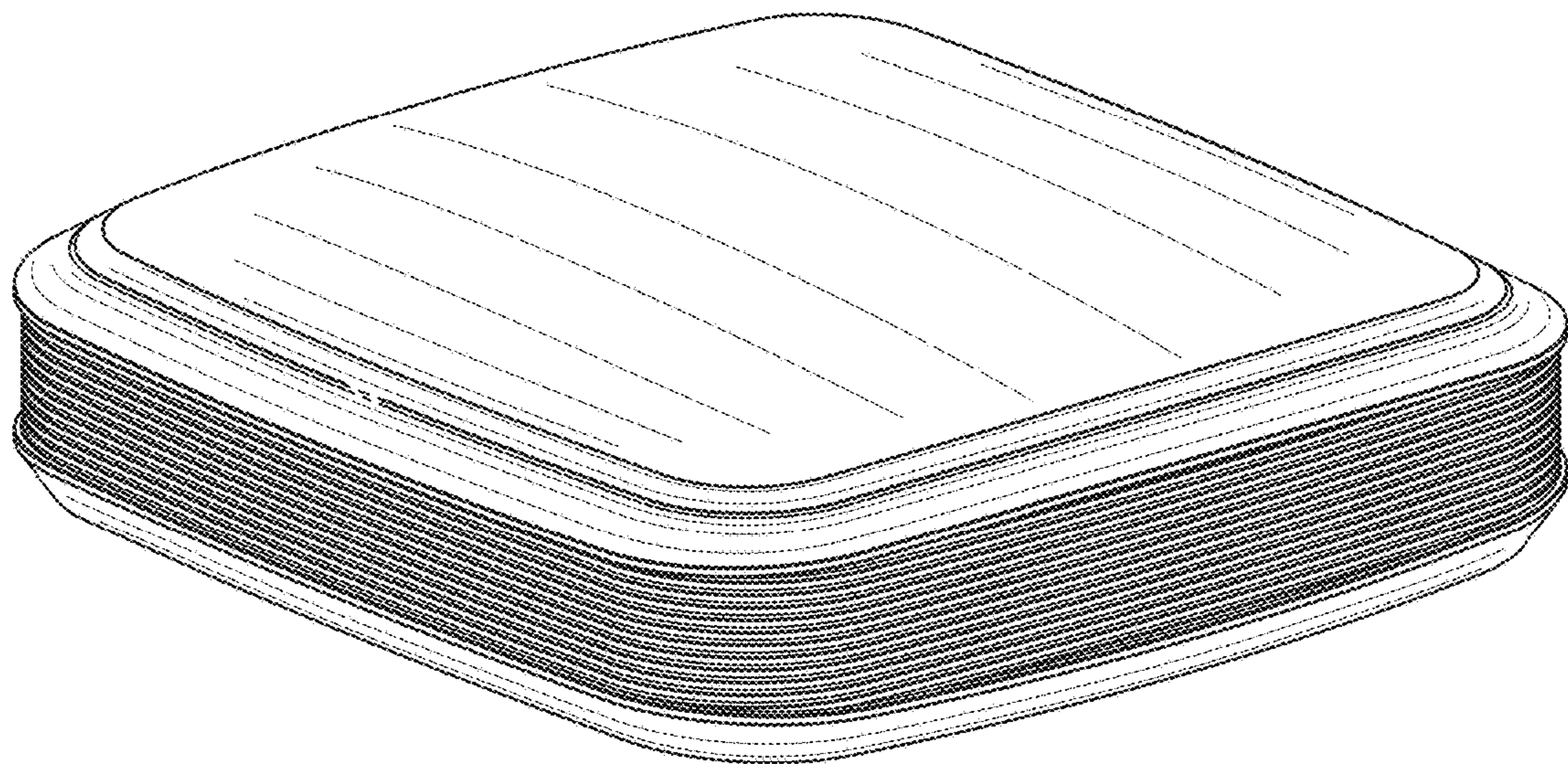


FIG. 2

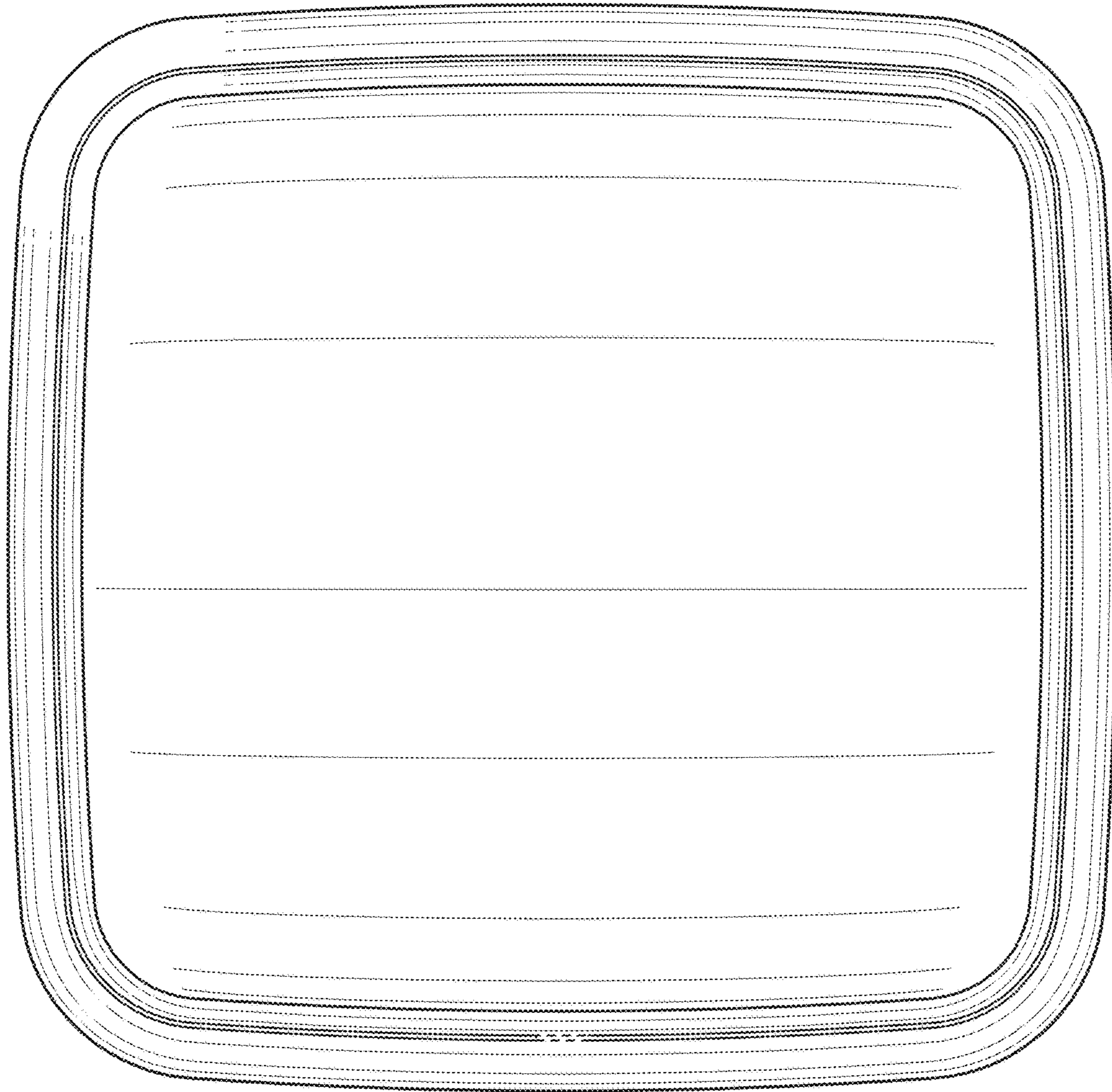


FIG. 3

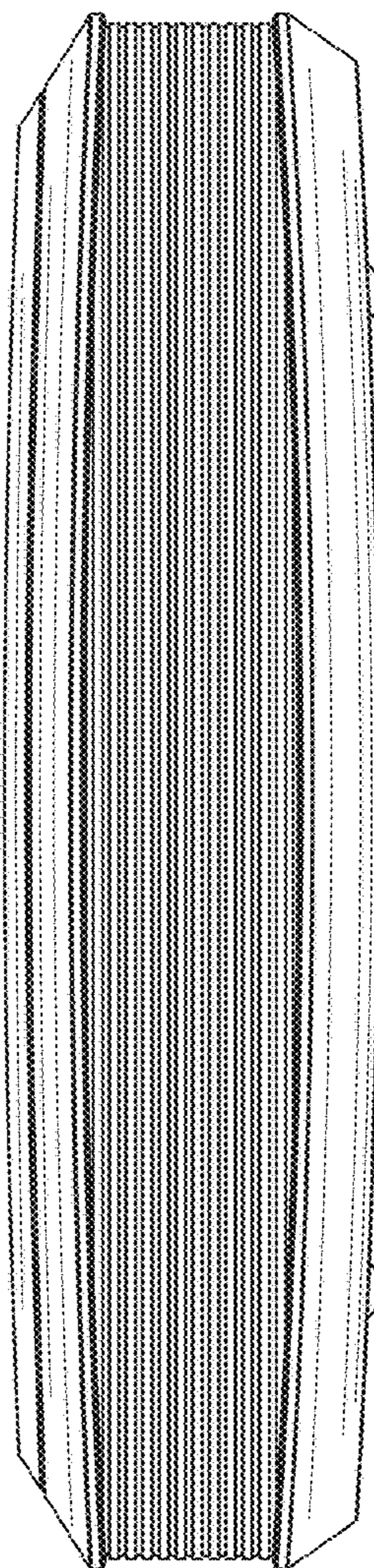


FIG. 4



FIG. 5