



US00D802562S

(12) **United States Design Patent**  
**Baba**

(10) **Patent No.:** **US D802,562 S**

(45) **Date of Patent:** **\*\* Nov. 14, 2017**

- (54) **EARPHONE**
- (71) Applicant: **JVC KENWOOD Corporation**,  
Yokohama-shi, Kanagawa (JP)
- (72) Inventor: **Yuzuko Baba**, Tokyo (JP)
- (73) Assignee: **JVC KENWOOD Corporation**,  
Kanagawa (JP)
- (\*\*) Term: **15 Years**
- (21) Appl. No.: **29/569,057**
- (22) Filed: **Jun. 23, 2016**
- (30) **Foreign Application Priority Data**  
Feb. 5, 2016 (JP) ..... D2016-002464
- (51) **LOC (10) Cl.** ..... **14-01**
- (52) **U.S. Cl.**  
USPC ..... **D14/223**
- (58) **Field of Classification Search**  
USPC ..... D14/223, 205; 181/129, 130, 135;  
379/430, 431; 381/380, 381, 370, 371,  
381/186; 455/90.3, 569.1  
CPC ..... H04R 1/10; H04R 1/1016; H04R 1/1066;  
H04R 25/00; H04R 5/033; H04R 5/0335;  
H04R 25/02  
See application file for complete search history.

(56) **References Cited**  
U.S. PATENT DOCUMENTS

- 4,720,857 A \* 1/1988 Burris ..... H04M 1/05  
379/430
- D331,061 S \* 11/1992 Hyohgo ..... D14/223
- D353,379 S \* 12/1994 Nakamura ..... D14/223
- 5,420,935 A \* 5/1995 Shinohara ..... H04R 1/1016  
379/431
- D402,659 S \* 12/1998 Suzuki ..... D14/192
- D419,556 S \* 1/2000 Haney ..... D14/192

- 6,084,976 A \* 7/2000 Lin ..... H04R 1/1016  
181/129
- D431,553 S \* 10/2000 Suzuki ..... D14/223
- D439,574 S \* 3/2001 Katayama ..... D14/192
- D474,171 S \* 5/2003 Suzuki ..... D14/206
- 6,574,345 B1 \* 6/2003 Huang ..... H04R 1/1016  
379/430
- D485,548 S \* 1/2004 Obata ..... D14/223
- D487,077 S \* 2/2004 Obata ..... D14/223
- D514,551 S \* 2/2006 Lee ..... D14/205
- D515,070 S \* 2/2006 Andre ..... D14/205
- D529,901 S \* 10/2006 Ohta ..... D14/223
- D531,169 S \* 10/2006 Tokioka ..... D14/223
- D542,782 S \* 5/2007 Pena Angarita ..... D14/223
- D554,627 S \* 11/2007 Gondo ..... D14/223
- D557,689 S \* 12/2007 Huang ..... D14/223
- D564,495 S \* 3/2008 Sasaki ..... D14/205
- D572,703 S \* 7/2008 Ledbetter ..... D14/205
- D579,005 S \* 10/2008 Wilhelmsen ..... D14/223
- D591,721 S \* 5/2009 Densho ..... D14/205

(Continued)

*Primary Examiner* — Paula Allen Greene  
(74) *Attorney, Agent, or Firm* — Ziegler IP Law Group,  
LLC

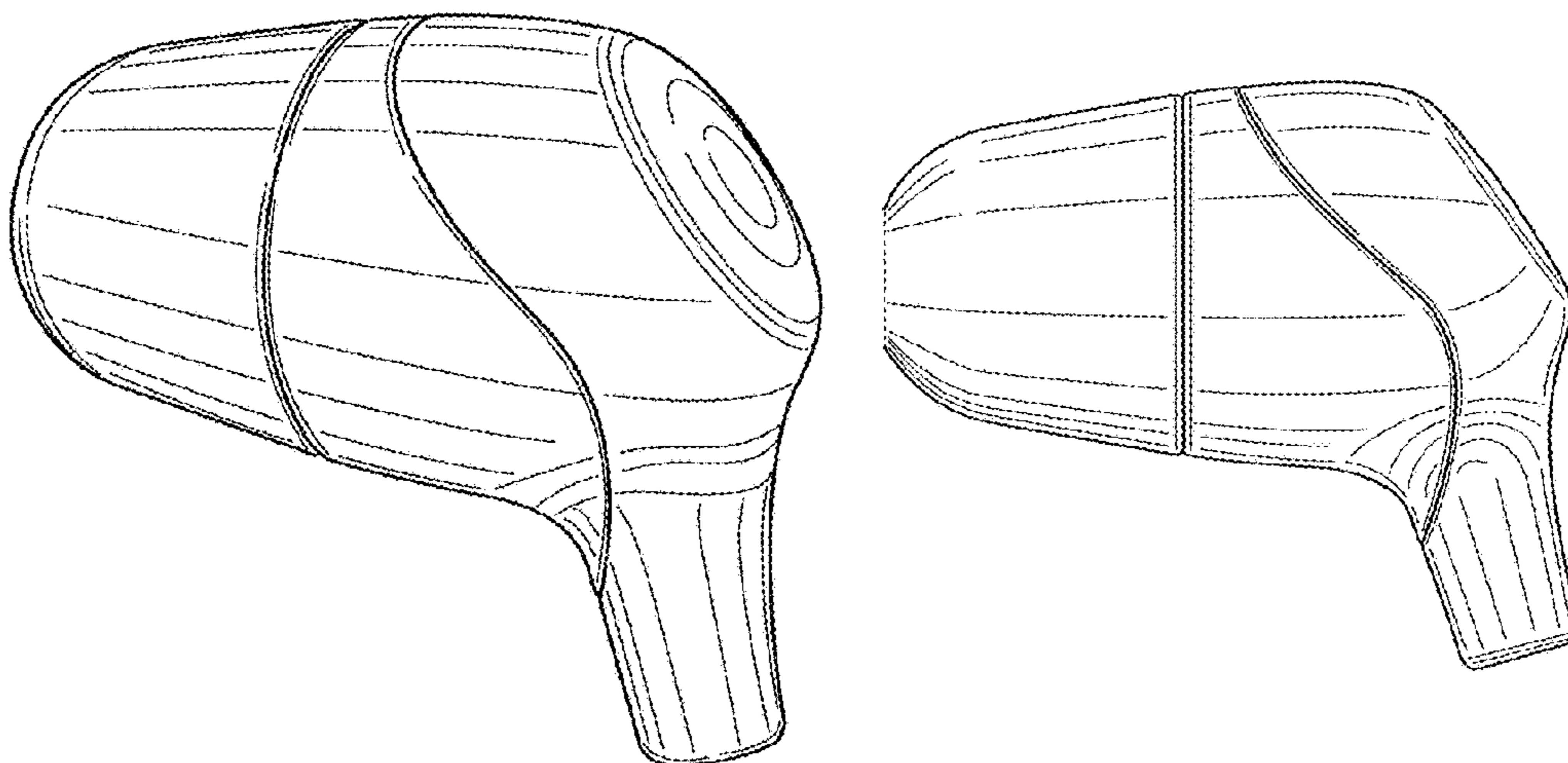
(57) **CLAIM**

The ornamental design for earphone, as shown and described.

**DESCRIPTION**

FIG. 1 is a perspective view of an earphone.  
FIG. 2 is a front view of FIG. 1;  
FIG. 3 is a rear view of FIG. 1;  
FIG. 4 is a top view of FIG. 1;  
FIG. 5 is a bottom view of FIG. 1;  
FIG. 6 is a right side view of FIG. 1; and,  
FIG. 7 is a left side view of FIG. 1.  
The broken lines in the drawings are for the purpose of illustrating portions of the earphone that form no part of the claimed design.

**1 Claim, 7 Drawing Sheets**



(56)

References Cited

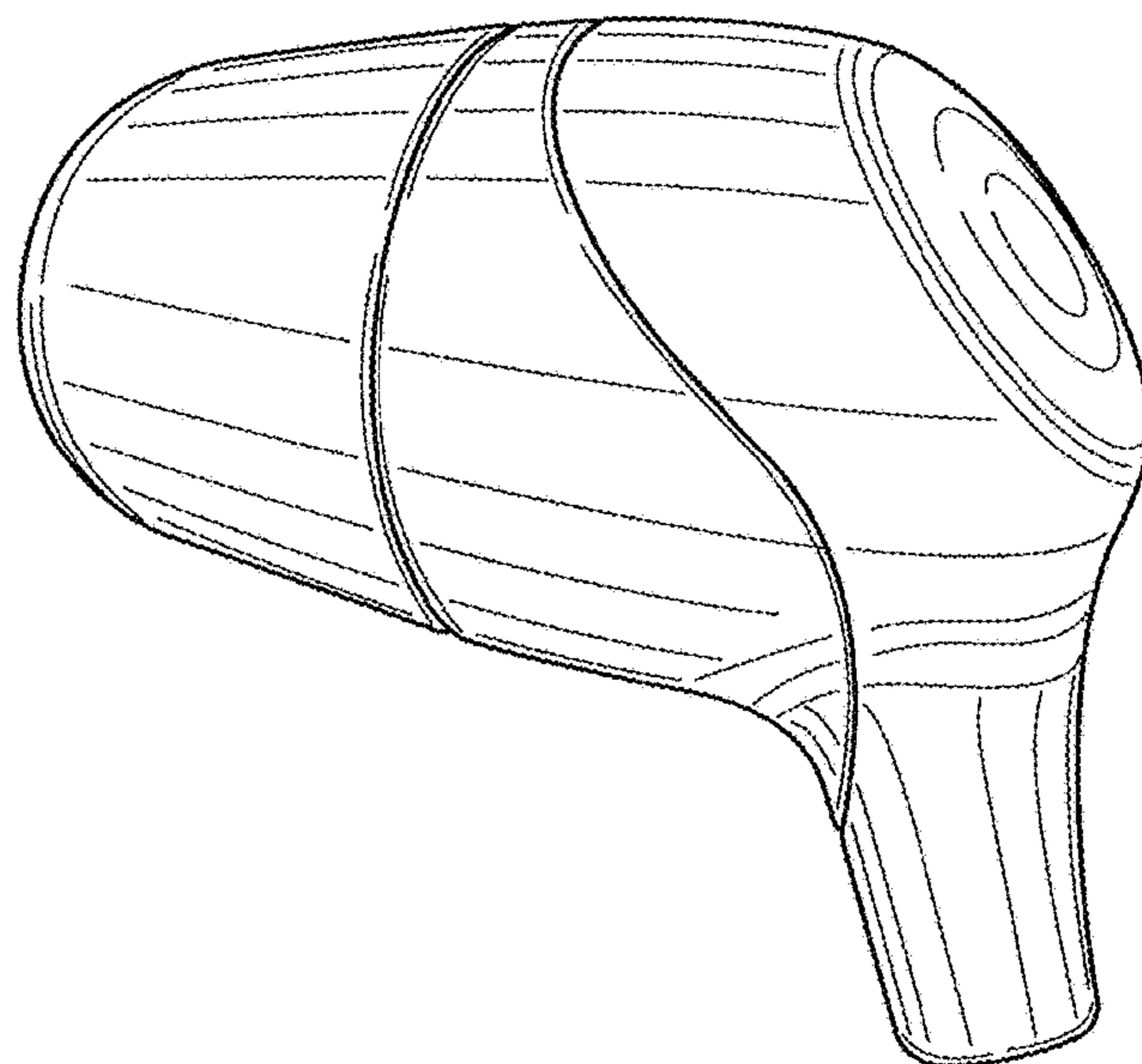
U.S. PATENT DOCUMENTS

D598,894 S \* 8/2009 Masuda ..... D14/205  
 D599,330 S \* 9/2009 Andre ..... D14/223  
 D621,389 S \* 8/2010 Nagayama ..... D14/223  
 D623,630 S \* 9/2010 Ohori ..... D14/223  
 D637,585 S \* 5/2011 Nagayama ..... D14/223  
 D641,008 S \* 7/2011 Lee ..... D14/223  
 D641,738 S \* 7/2011 Perez ..... D14/223  
 7,979,035 B2 \* 7/2011 Griffin ..... H04B 1/3877  
 455/569.1  
 D643,416 S \* 8/2011 Chong ..... D14/223  
 D648,708 S \* 11/2011 Katsuraku ..... D14/223  
 8,077,898 B2 \* 12/2011 Huang ..... H04R 1/1016  
 381/186  
 D653,235 S \* 1/2012 McManigal ..... D14/205  
 D656,481 S \* 3/2012 McManigal ..... D14/205  
 D656,492 S \* 3/2012 Huang ..... D14/205  
 D662,495 S \* 6/2012 Andre ..... D14/223  
 D664,523 S \* 7/2012 Naitou ..... D14/223  
 8,265,323 B2 \* 9/2012 Stiehl ..... B29C 45/0025  
 381/371  
 D670,274 S \* 11/2012 Katsumata ..... D14/223  
 D686,597 S \* 7/2013 Lee ..... D14/223  
 D701,195 S \* 3/2014 Katsumata ..... D14/223  
 D702,668 S \* 4/2014 Narita ..... H04R 1/10  
 D14/223

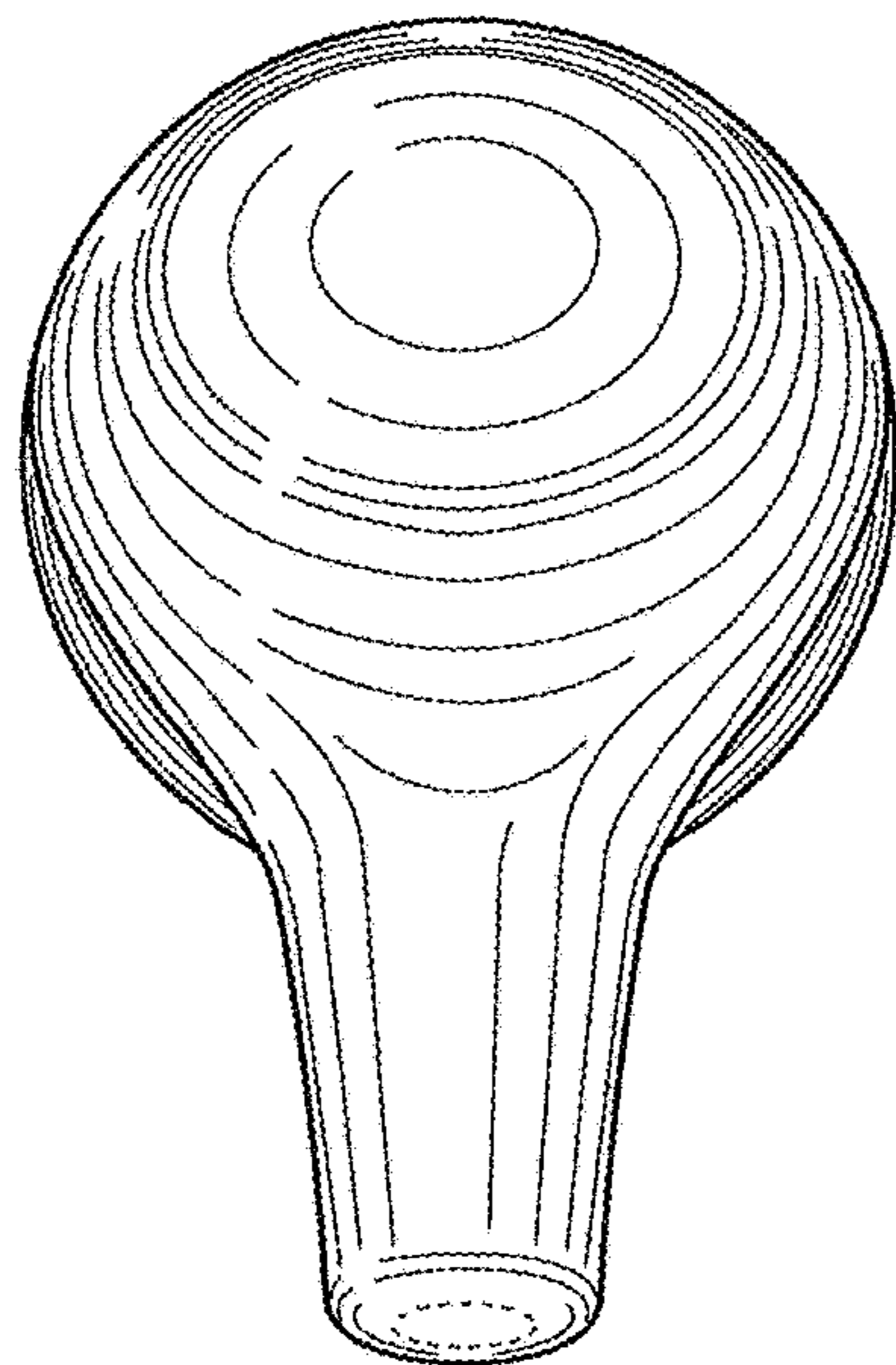
D702,669 S \* 4/2014 Gondo ..... H04R 1/10  
 D14/223  
 D707,652 S \* 6/2014 Brunner ..... H04R 25/00  
 D14/205  
 D711,858 S \* 8/2014 Yang ..... D14/223  
 D712,883 S \* 9/2014 Birger ..... D14/223  
 8,831,266 B1 \* 9/2014 Huang ..... H04R 1/1091  
 381/370  
 D718,286 S \* 11/2014 Yang ..... D14/223  
 D719,548 S \* 12/2014 Thompson ..... D14/223  
 D726,165 S \* 4/2015 Kawaji ..... D14/223  
 D729,775 S \* 5/2015 Seo ..... D14/205  
 D733,103 S \* 6/2015 Jeong ..... D14/224  
 D738,864 S \* 9/2015 Lee ..... D14/223  
 D741,287 S \* 10/2015 Harata ..... D14/205  
 D746,792 S \* 1/2016 Kim ..... D14/205  
 D762,616 S \* 8/2016 Hsieh ..... D14/205  
 D773,435 S \* 12/2016 Ott ..... D14/205  
 D784,298 S \* 4/2017 Ozawa ..... D14/223  
 D784,962 S \* 4/2017 Yang ..... D14/223  
 D787,480 S \* 5/2017 Morris ..... D14/223  
 2009/0136074 A1 \* 5/2009 Chang ..... H04R 1/06  
 381/380  
 2009/0233652 A1 \* 9/2009 Yang ..... H04R 31/006  
 455/569.1  
 2012/0003937 A1 \* 1/2012 Zhong ..... H04M 1/6066  
 455/41.3  
 2013/0259287 A1 \* 10/2013 Tseng ..... H04R 1/1016  
 381/380

\* cited by examiner

*FIG. 1*

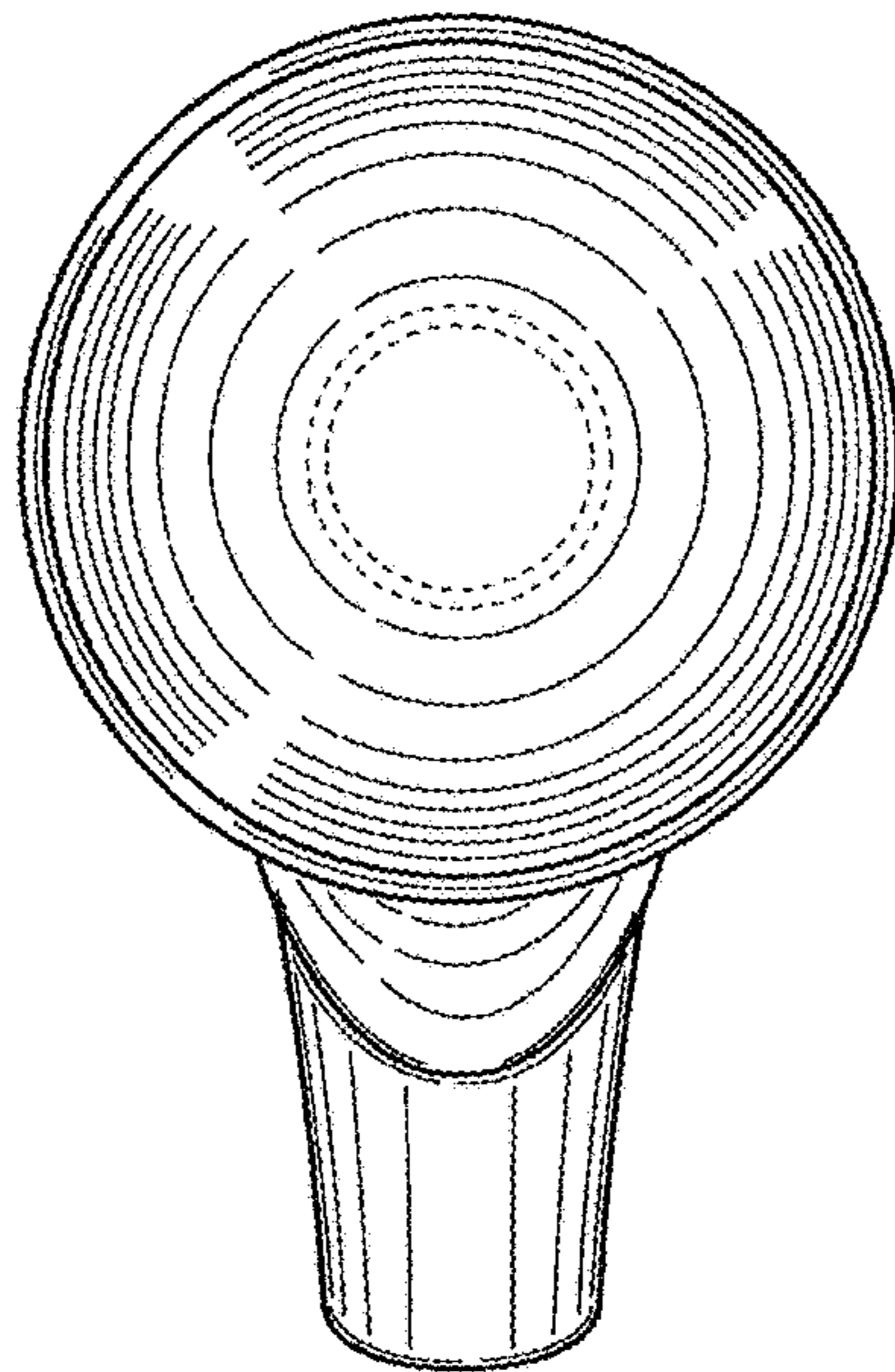


**FIG. 2**

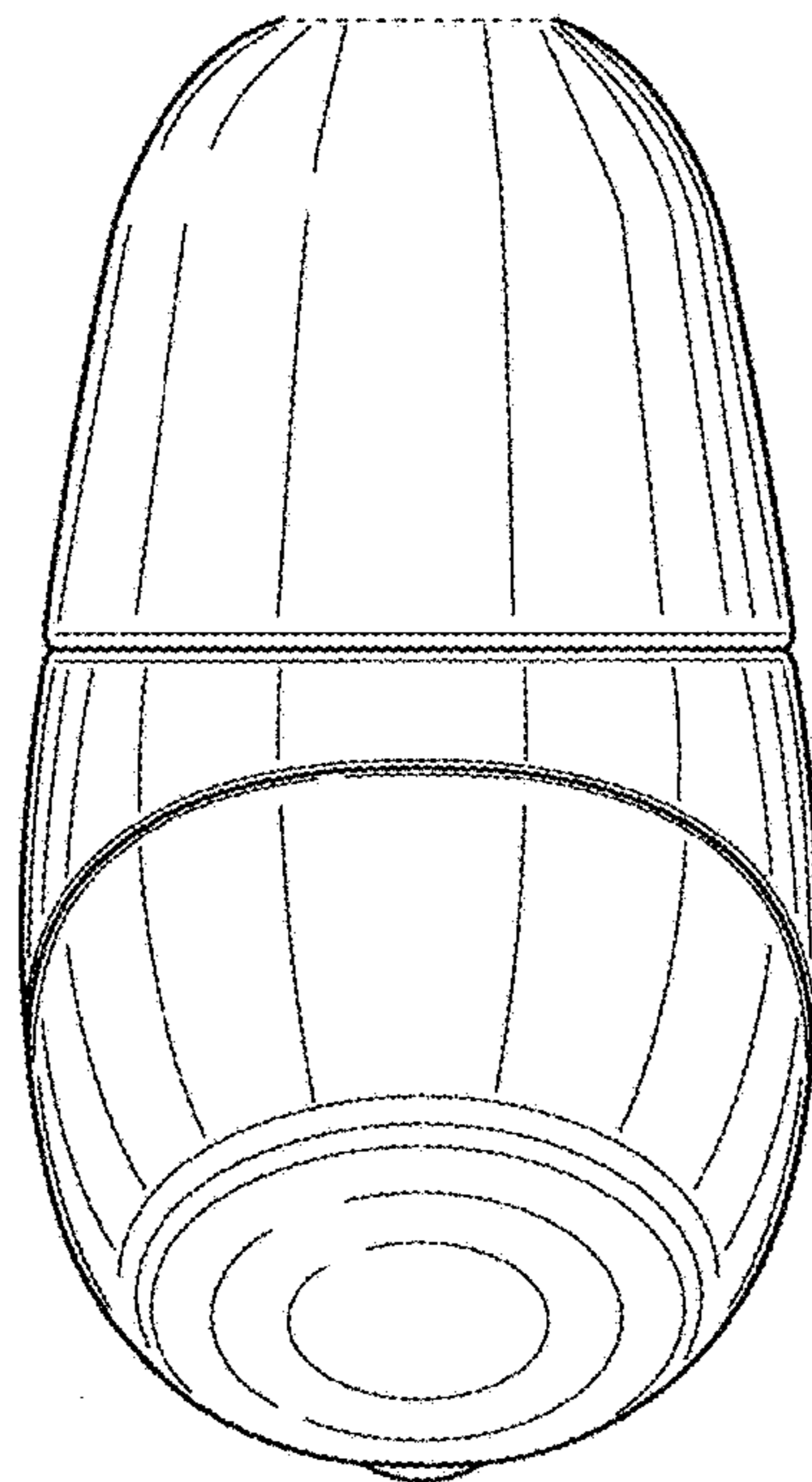




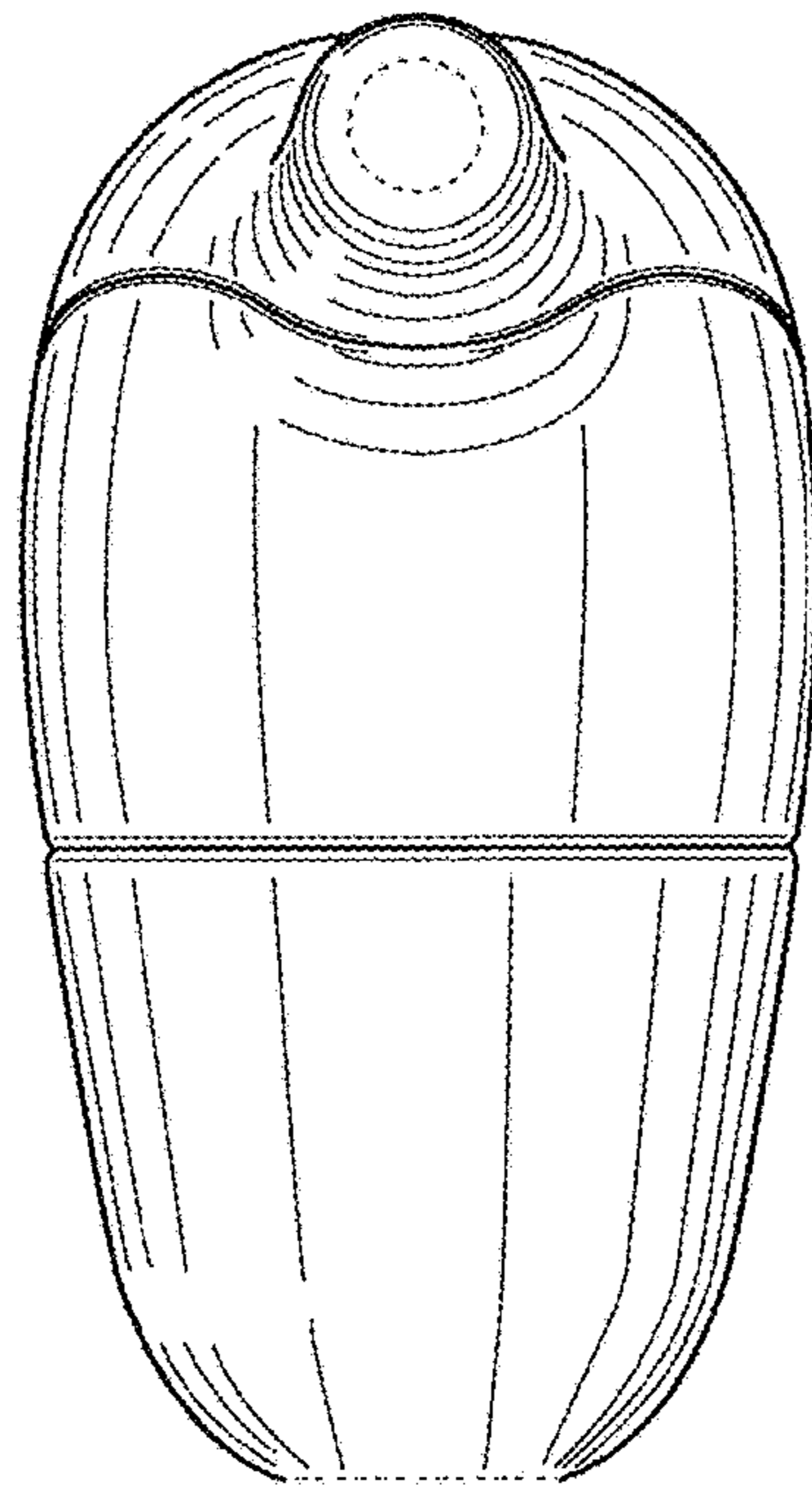
*FIG. 3*



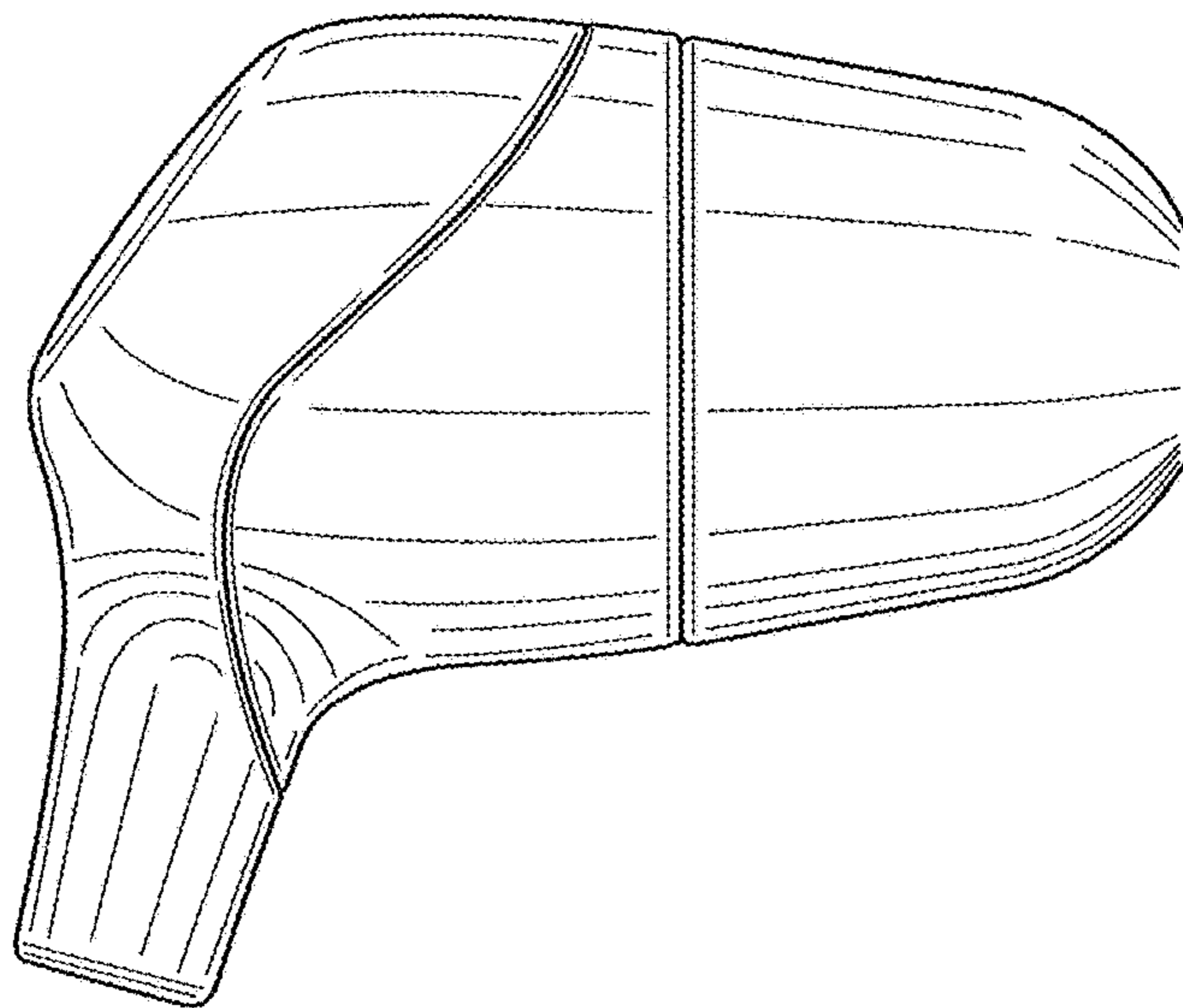
**FIG. 4**



*FIG. 5*



**FIG. 6**





*FIG. 7*

