



US00D802560S

(12) **United States Design Patent**
Kitazawa

(10) **Patent No.:** **US D802,560 S**

(45) **Date of Patent:** **** Nov. 14, 2017**

(54) **SOUND DEVICE**

(71) Applicant: **Creative Technology Ltd**, Singapore (SG)

(72) Inventor: **Shintaro Kitazawa**, Singapore (SG)

(73) Assignee: **CREATIVE TECHNOLOGY LTD**, Singapore (SG)

(**) Term: **15 Years**

(21) Appl. No.: **29/568,398**

(22) Filed: **Jun. 17, 2016**

(30) **Foreign Application Priority Data**

Dec. 18, 2015 (SG) 30201501880X

(51) **LOC (10) Cl.** **14-01**

(52) **U.S. Cl.**
USPC **D14/214; D14/210**

(58) **Field of Classification Search**

USPC D14/168, 188, 194, 195, 196, 204, 210,
D14/211, 212, 213, 214, 215, 216;
D26/26, 51, 52

CPC B60R 11/0217; G06F 1/1688; G10K 9/22;
G10K 11/004; H03F 1/327; H04M 1/03;
H04M 1/035; H04N 5/642; H04N
21/4852; H04S 3/00; H04S 7/30; H04R
1/02; H04R 1/06; H04R 1/021; H04R
1/025; H04R 1/026; H04R 1/028; H04R
1/105; H04R 1/323; H04R 1/403; H04R
1/2803; H04R 1/2834; H04R 5/02; H04R
7/20; H04R 9/06; H04R 9/025; H04R
2201/021; H04R 2400/00; H04R 2400/07;
H04R 2499/11; H04R 2499/13; H04R
2499/15

See application file for complete search history.

(56) **References Cited**

U.S. PATENT DOCUMENTS

D266,578 S * 10/1982 Moshier D23/328
D340,930 S * 11/1993 Christie D14/214

D394,858 S * 6/1998 Wordinger D14/188
D538,260 S * 3/2007 Wada D14/188
D641,340 S * 7/2011 Huh D14/214
D669,884 S * 10/2012 Hou D14/214
D684,561 S * 6/2013 Ni D14/214
D710,827 S * 8/2014 Lum D14/218
D726,149 S * 4/2015 Rodgers D14/214

(Continued)

OTHER PUBLICATIONS

TechHive Review—X-Fi Sonic Carrier, announced Jan. 5, 2016 [online], [site visited Mar. 1, 2017]. Available from internet, URL: <<http://www.techhive.com/article/3019089/home-theater/here-s-a-head-snapper-creative-just-announced-a-5000-audiophile-sound-bar-that-streams-music-and-vi.html>>.*

Primary Examiner — Keli L Hill

Assistant Examiner — Karra S Johnson

(74) *Attorney, Agent, or Firm* — Russell Swerdon;
Desmund Gean

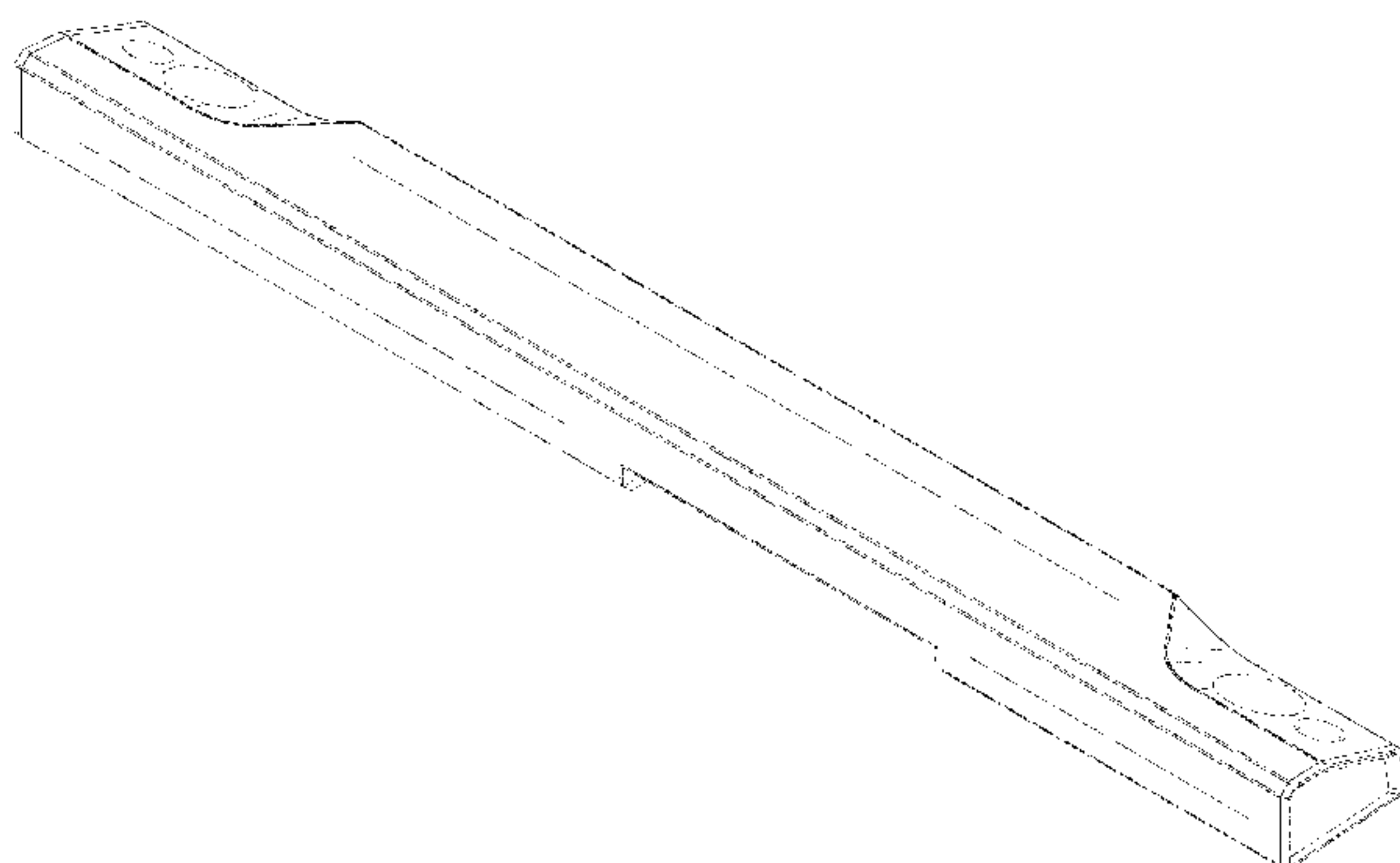
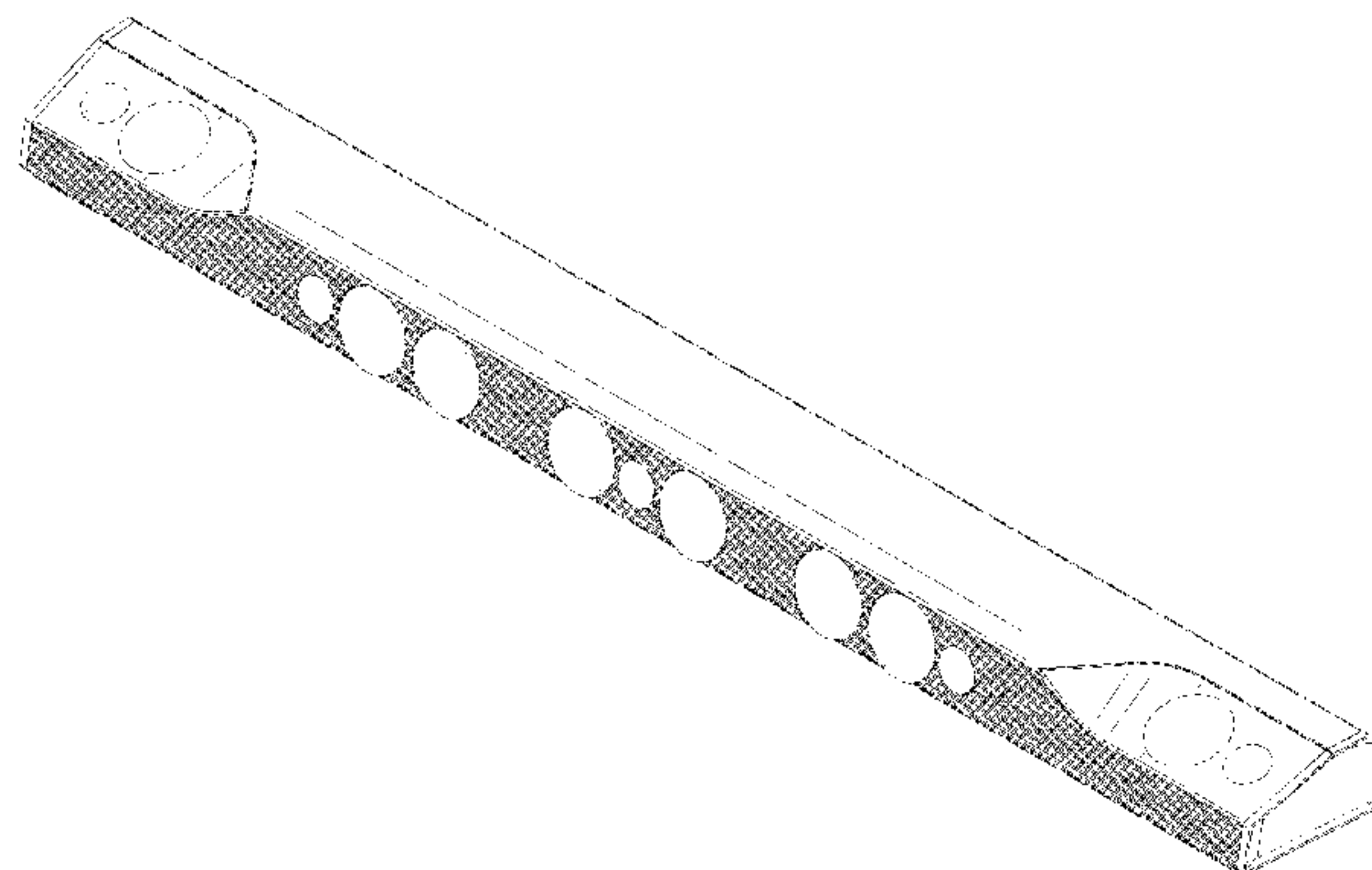
(57) **CLAIM**

The ornamental design for a sound device, substantially as shown and described.

DESCRIPTION

FIG. 1 is a front top right side perspective view of a sound device showing our new design;
FIG. 2 is a rear top left side perspective view thereof;
FIG. 3 is a front elevational view thereof;
FIG. 4 is a rear elevational view thereof;
FIG. 5 is a left side elevational view thereof;
FIG. 6 is a right side elevational view thereof;
FIG. 7 is a top plan view thereof; and,
FIG. 8 is a bottom plan view thereof.
The broken lines for the speaker drivers/grills in FIG. 1, FIG. 2, FIG. 3, FIG. 5, FIG. 6, FIG. 7, and FIG. 8 show unclaimed subject matter only and form no part of the claimed design.

1 Claim, 8 Drawing Sheets



(56)

References Cited

U.S. PATENT DOCUMENTS

D753,629 S * 4/2016 Plattard D14/214
D766,873 S * 9/2016 Washio D14/214

* cited by examiner

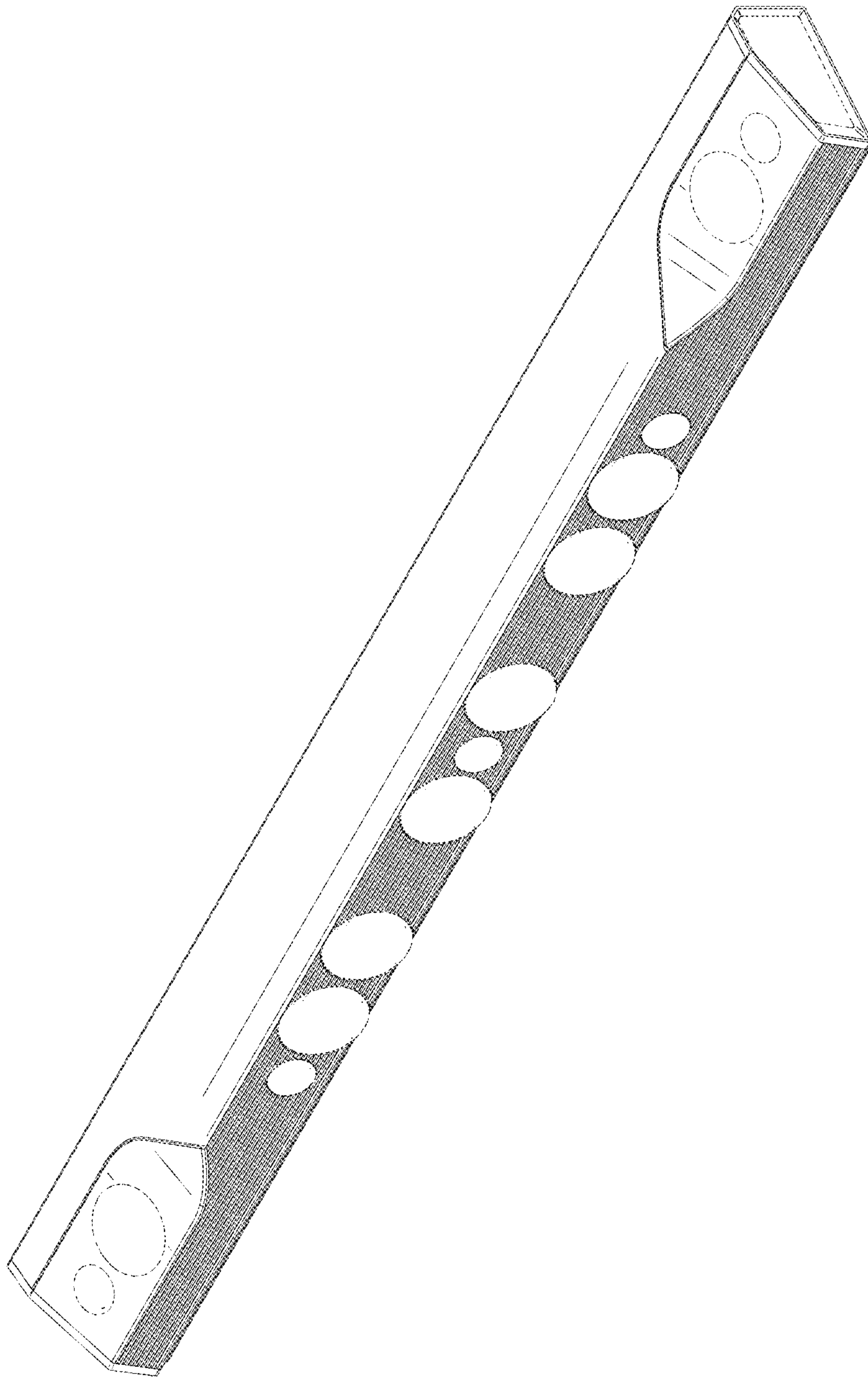


FIG. 1

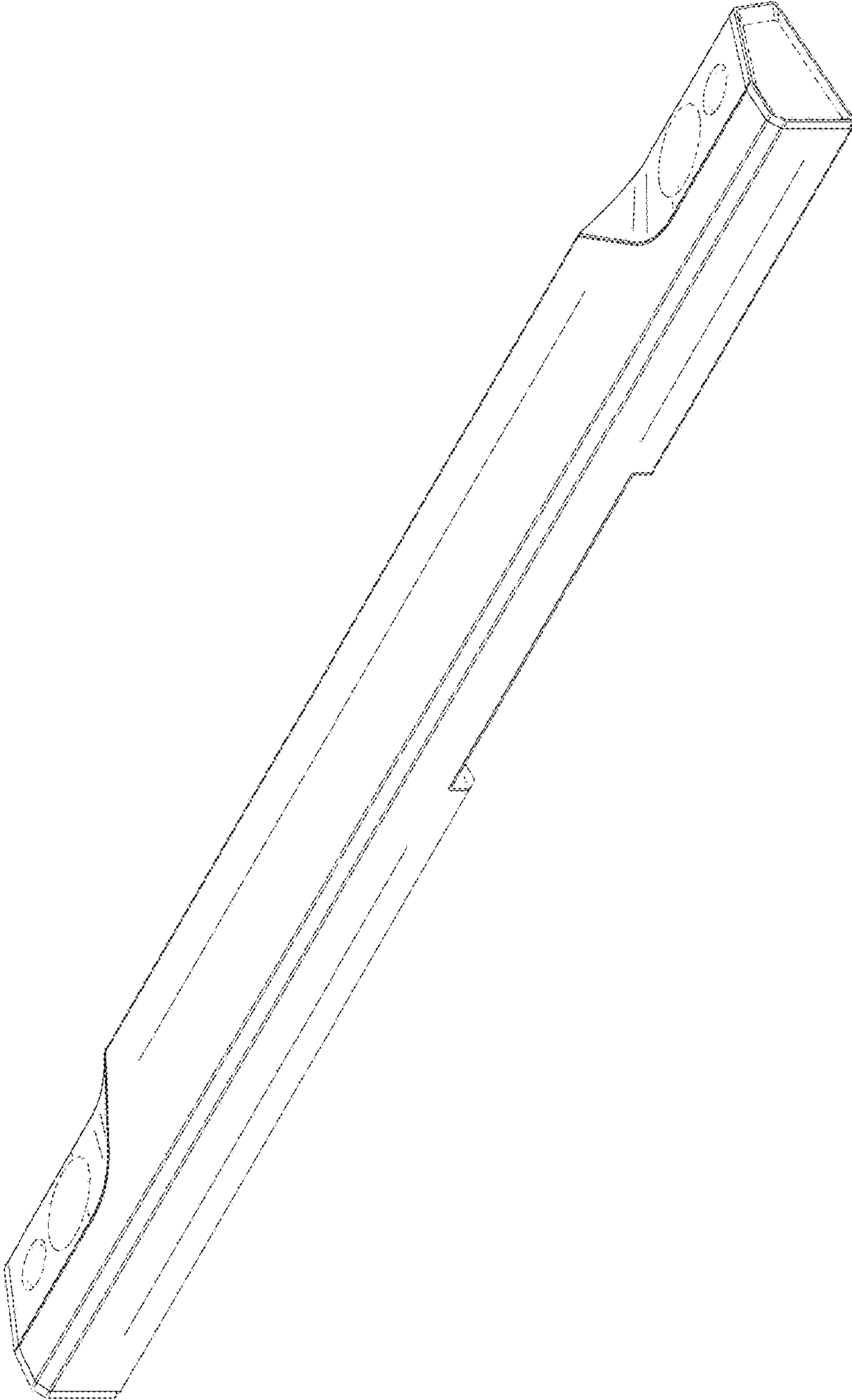


FIG. 2

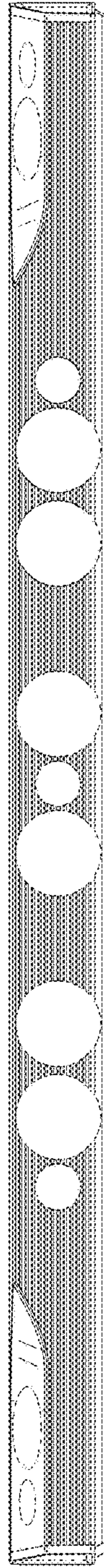


FIG. 3

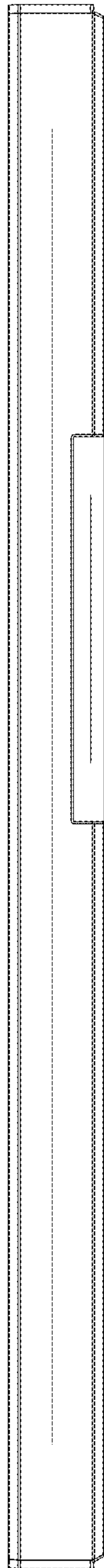


FIG. 4

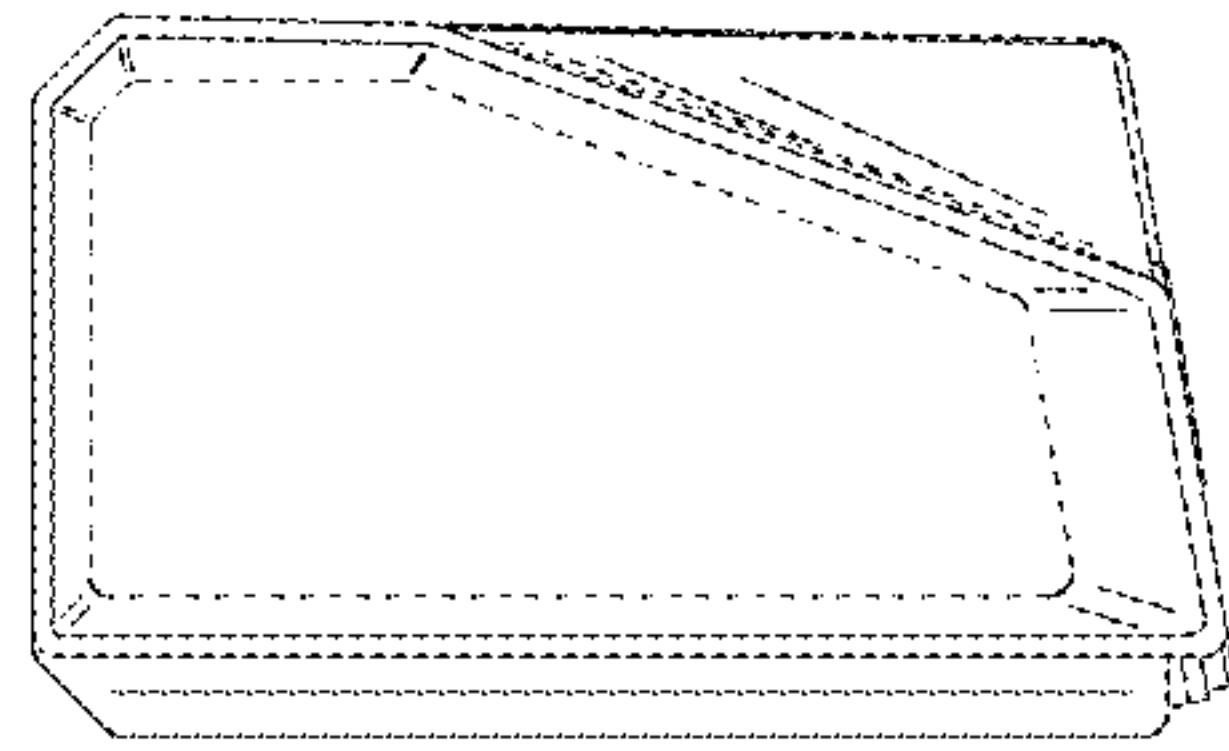


FIG. 5

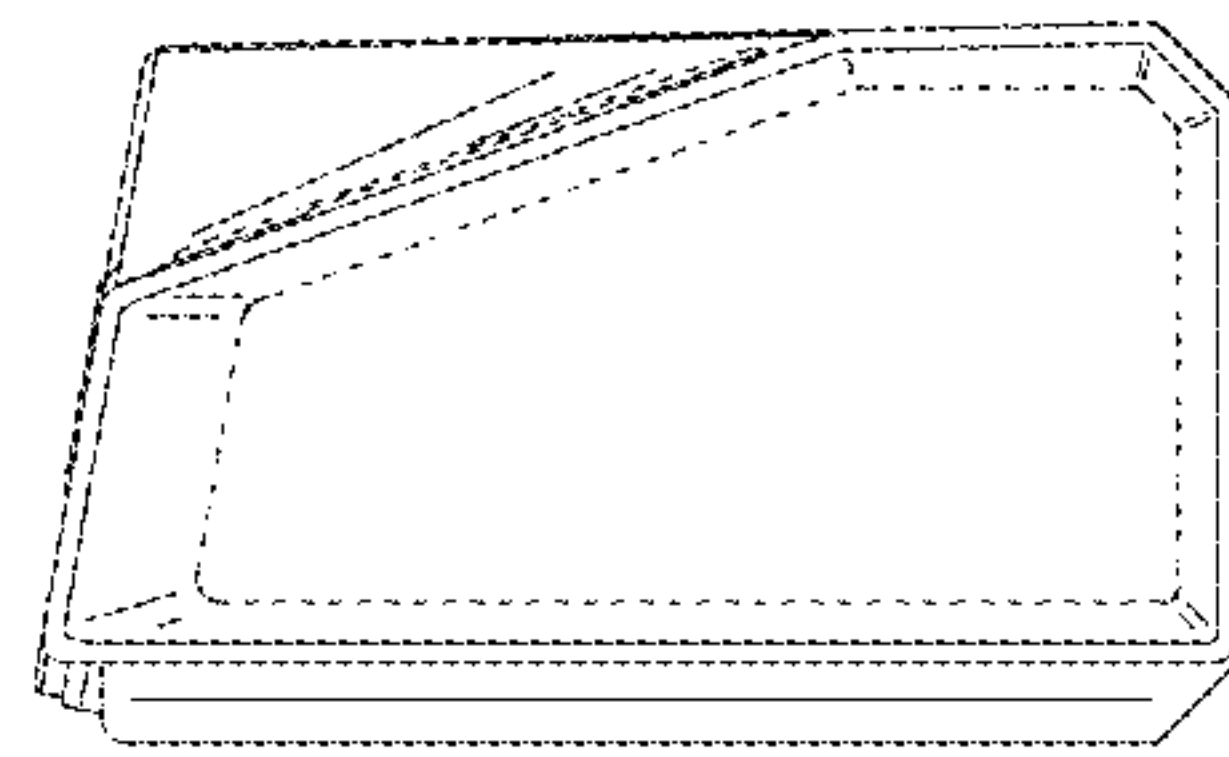


FIG. 6

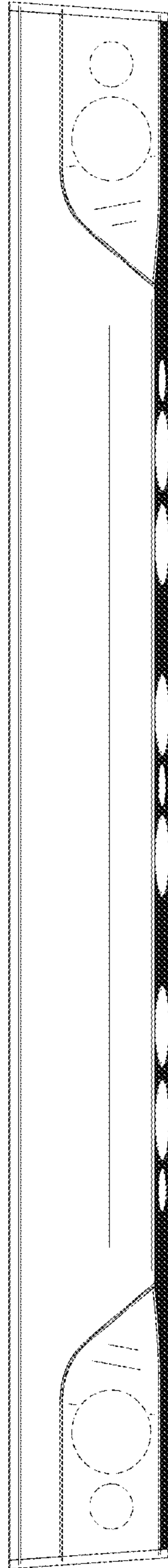


FIG. 7

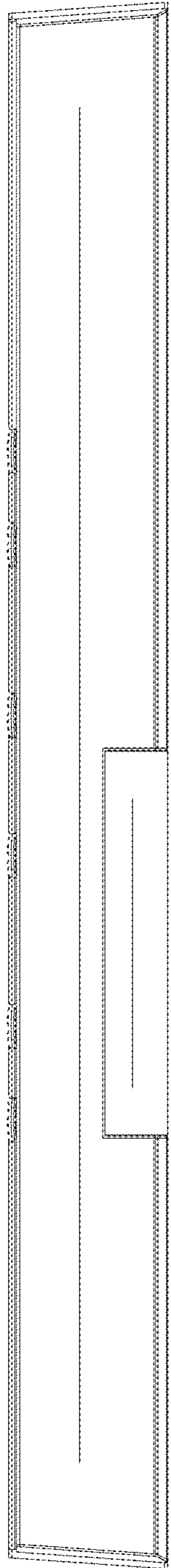


FIG. 8