



US00D802557S

(12) **United States Design Patent**
Kumano

(10) **Patent No.:** **US D802,557 S**

(45) **Date of Patent:** **** Nov. 14, 2017**

(54) **EARPHONE**

(71) Applicant: **Sony Corporation**, Tokyo (JP)

(72) Inventor: **Daigaku Kumano**, Tokyo (JP)

(73) Assignee: **SONY CORPORATION**, Tokyo (JP)

(**) Term: **15 Years**

(21) Appl. No.: **29/557,948**

(22) Filed: **Mar. 14, 2016**

(30) **Foreign Application Priority Data**

Dec. 22, 2015 (JP) D2015-028481

(51) **LOC (10) Cl.** **14-01**

(52) **U.S. Cl.**
USPC **D14/205**

(58) **Field of Classification Search**
USPC D14/205, 223; 181/129, 130, 135;
379/430, 431; 381/380, 381; D28/41;
132/273, 275

CPC H04R 25/00; H04R 1/10; H04R 5/0335;
H04R 5/033; H04R 1/1016; H04R 1/1066
See application file for complete search history.

(56) **References Cited**

U.S. PATENT DOCUMENTS

2,501,107 A * 3/1950 Volkmann H04R 5/0335
381/374
2,572,889 A * 10/1951 Strykower A45F 3/14
224/258
2,954,442 A * 9/1960 Mickenberg H04R 5/0335
2/209
4,173,715 A * 11/1979 Gosman H04R 1/1058
181/129
D261,511 S * 10/1981 Hass D14/192
4,461,290 A * 7/1984 Gardner, Jr. A61F 11/12
128/866
D278,234 S * 4/1985 Saito D14/205

4,541,696 A * 9/1985 Winger G02C 3/003
351/123
4,554,993 A * 11/1985 Houng H04M 1/05
181/130
4,649,570 A * 3/1987 Terbrack G10K 11/22
379/452
5,033,094 A * 7/1991 Hung H04M 1/05
381/379
5,608,808 A * 3/1997 da Silva G02C 11/10
351/123
5,715,323 A * 2/1998 Walker H04R 1/10
351/123
6,010,216 A * 1/2000 Jesiek H04B 1/385
351/158
D458,245 S * 6/2002 Masuda D14/192
D460,432 S * 7/2002 Brown D14/192
6,721,579 B2 * 4/2004 Liu H04M 1/6058
379/373.02

(Continued)

Primary Examiner — Paula Greene

(74) *Attorney, Agent, or Firm* — Michael Best and Friedrich LLP

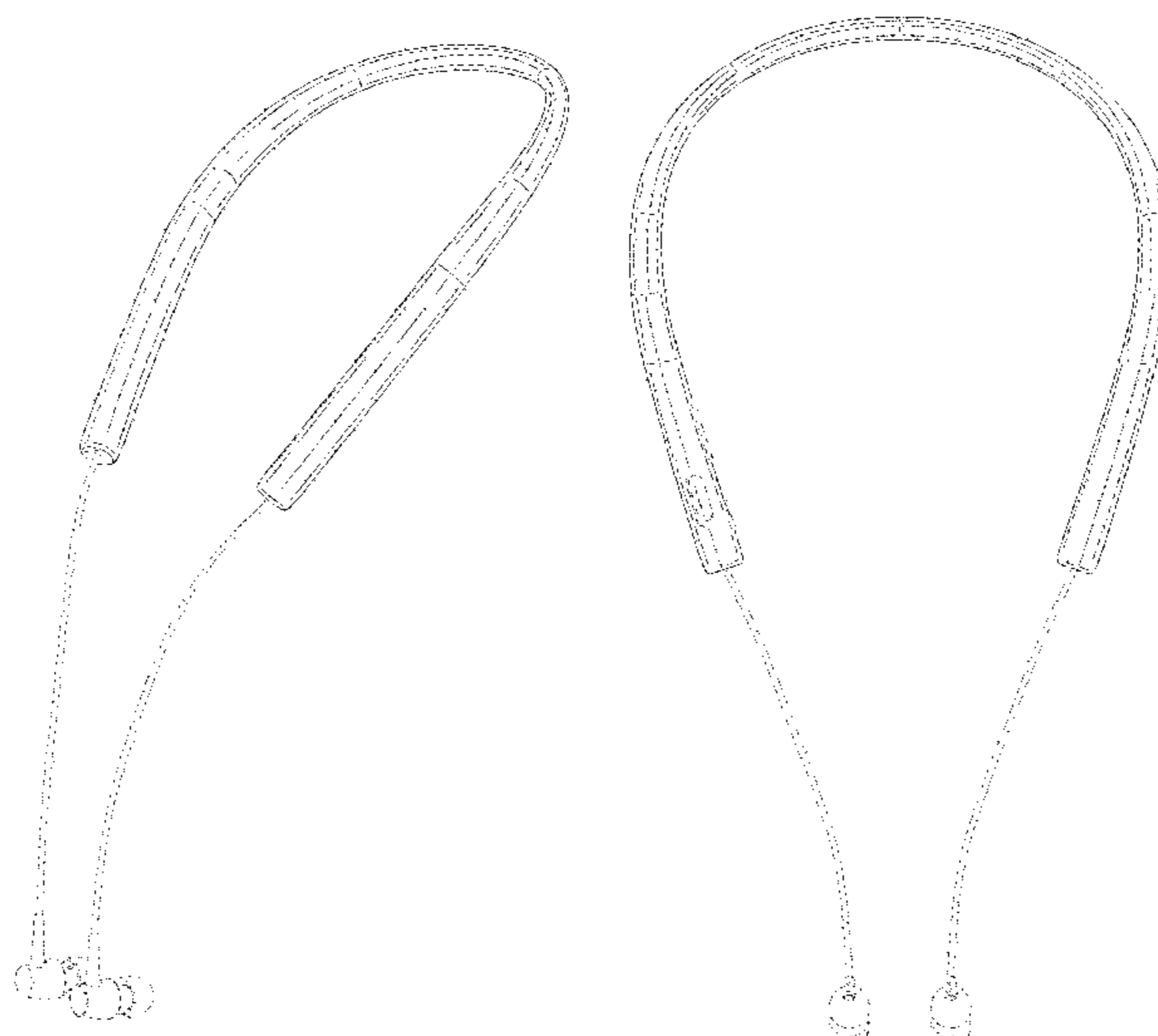
(57) **CLAIM**

The ornamental design for an earphone, as shown and described.

DESCRIPTION

FIG. 1 is a front perspective view of an earphone showing my new design;
FIG. 2 is a front elevational view thereof;
FIG. 3 is a rear elevational view thereof;
FIG. 4 is a left side elevational view thereof;
FIG. 5 is a right side elevational view thereof;
FIG. 6 is a top plan view thereof; and,
FIG. 7 is a bottom plan view thereof.
The broken lines illustrating the unclaimed portions of the earphone form no part of the claimed design.

1 Claim, 5 Drawing Sheets



(56)

References Cited

U.S. PATENT DOCUMENTS

6,799,018 B1 * 9/2004 Lam H04B 10/11
 381/301
 D533,539 S * 12/2006 Mah D14/205
 D546,321 S * 7/2007 Kim D14/223
 D567,217 S * 4/2008 Kamo D14/205
 D569,841 S * 5/2008 Chung D14/205
 D572,703 S * 7/2008 Ledbetter D14/205
 D576,149 S * 9/2008 Malik D14/205
 D587,678 S 3/2009 Yuyama
 D587,679 S 3/2009 Komiyama
 D587,680 S 3/2009 Komiyama
 D590,810 S 4/2009 Komiyama
 D593,067 S * 5/2009 Millora D14/205
 D594,441 S * 6/2009 Lee D14/205
 D594,442 S * 6/2009 Chon D14/205
 D595,690 S * 7/2009 Fullerton D14/205
 D596,617 S * 7/2009 Devlas D14/205
 D598,894 S * 8/2009 Masuda D14/205
 D599,777 S 9/2009 Yuyama
 D599,778 S * 9/2009 Ando D14/205
 D605,170 S * 12/2009 Keinanen D14/205
 D605,628 S * 12/2009 Ando D14/205
 D607,875 S * 1/2010 Pedersen, II H04R 1/1033
 D14/206
 D614,168 S * 4/2010 Rogers D14/206
 D633,471 S * 3/2011 Sugiyama D14/205
 D653,234 S * 1/2012 Lee D14/205
 D663,714 S * 7/2012 Kang D14/205
 D669,881 S * 10/2012 Clements D14/205
 8,290,193 B2 * 10/2012 Pang H04R 1/1033
 381/370
 D680,102 S * 4/2013 Chen D14/223
 8,433,082 B2 * 4/2013 Abolfathi H04R 1/46
 381/151
 D685,764 S * 7/2013 Coulter D14/205
 D686,189 S * 7/2013 Lu D14/205

D703,634 S * 4/2014 Han H04R 1/1016
 D14/205
 8,804,992 B2 * 8/2014 Bailey H04R 1/105
 343/718
 D712,371 S * 9/2014 Henning D14/205
 D716,759 S * 11/2014 Ha D14/205
 D718,272 S * 11/2014 Clayton D14/205
 D721,673 S * 1/2015 Park D14/205
 D723,510 S * 3/2015 Ishikura D14/205
 D726,145 S * 4/2015 Hsieh D14/205
 D730,867 S * 6/2015 Park D14/205
 D731,999 S * 6/2015 Cephress D14/205
 D736,740 S * 8/2015 Hwang D14/205
 D743,933 S * 11/2015 Park D14/205
 D756,958 S * 5/2016 Lee D14/205
 D756,959 S * 5/2016 Lee D14/205
 D762,617 S * 8/2016 Park D14/205
 D763,227 S * 8/2016 Lee D14/205
 D766,869 S * 9/2016 Lee D14/205
 D768,600 S * 10/2016 Chen D14/205
 D771,013 S * 11/2016 Yang D14/205
 D771,588 S * 11/2016 Choe D14/205
 D772,843 S * 11/2016 Lee D14/205
 D772,845 S * 11/2016 Lim D14/205
 D774,017 S * 12/2016 Ahn D14/205
 D776,636 S * 1/2017 Lim D14/205
 D777,136 S * 1/2017 Erbeus D14/205
 D777,137 S * 1/2017 Erbeus D14/205
 D781,815 S * 3/2017 Choi D14/205
 D781,816 S * 3/2017 Choe D14/205
 D781,817 S * 3/2017 Lee D14/205
 D782,998 S * 4/2017 Shin D14/205
 2001/0010727 A1 * 8/2001 Urwyler H04R 1/1033
 381/384
 2007/0003093 A1 * 1/2007 Ito H04R 5/0335
 381/378
 2009/0274335 A1 * 11/2009 Cheung H04R 5/0335
 381/374
 2014/0079237 A1 * 3/2014 Cataldo H04R 1/1033
 381/74

* cited by examiner

FIG.1

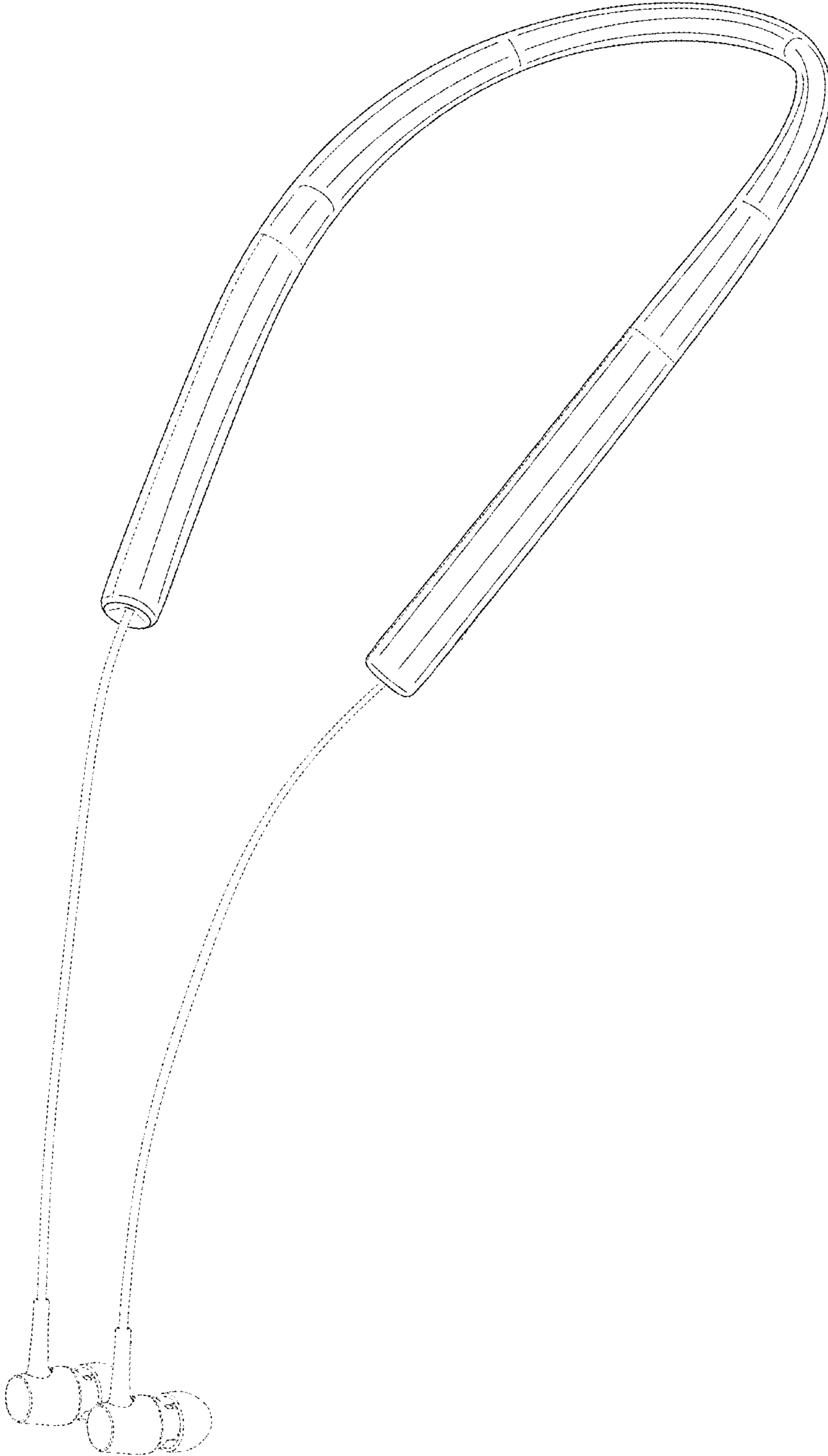


FIG.2

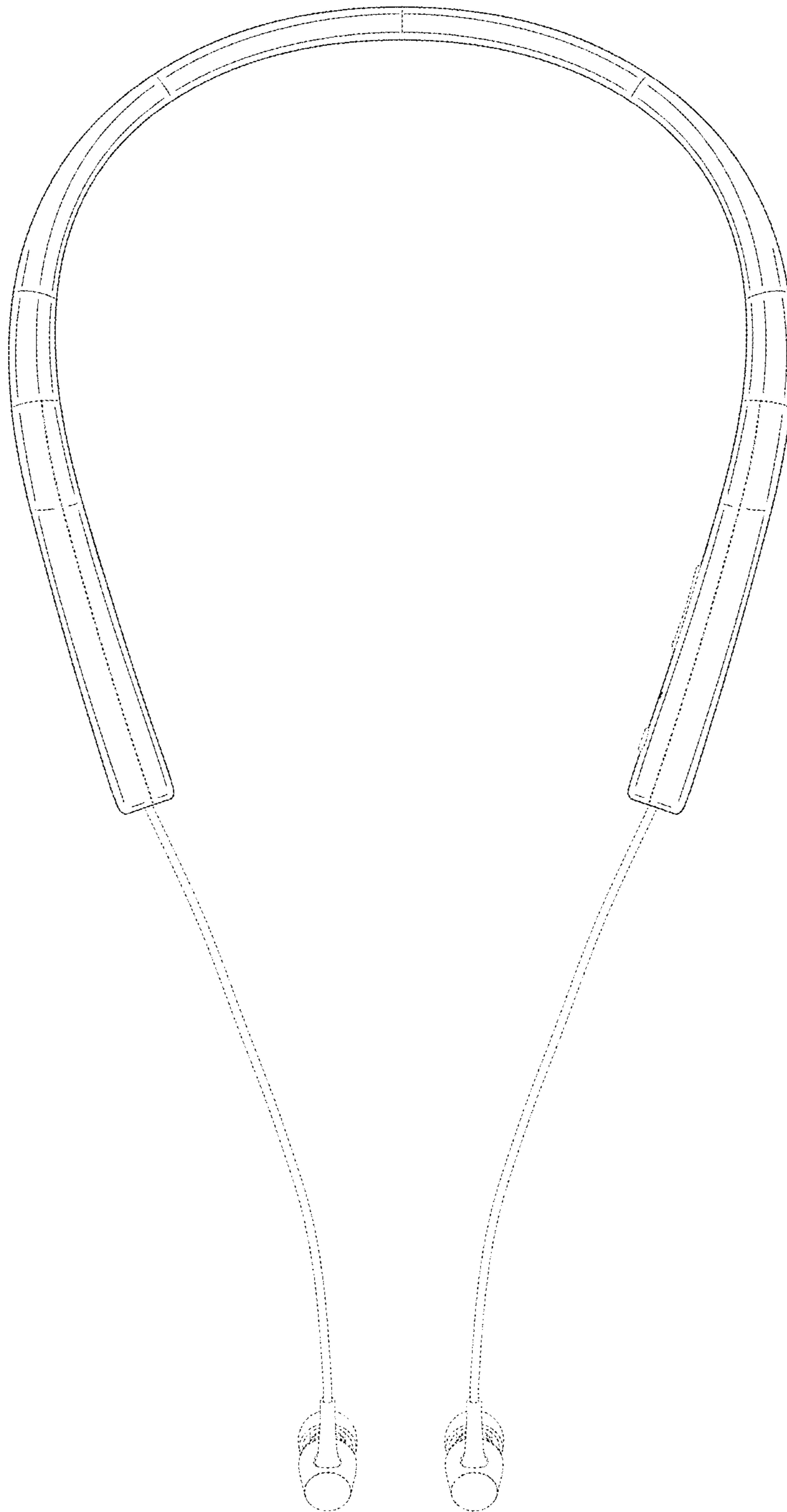


FIG.3

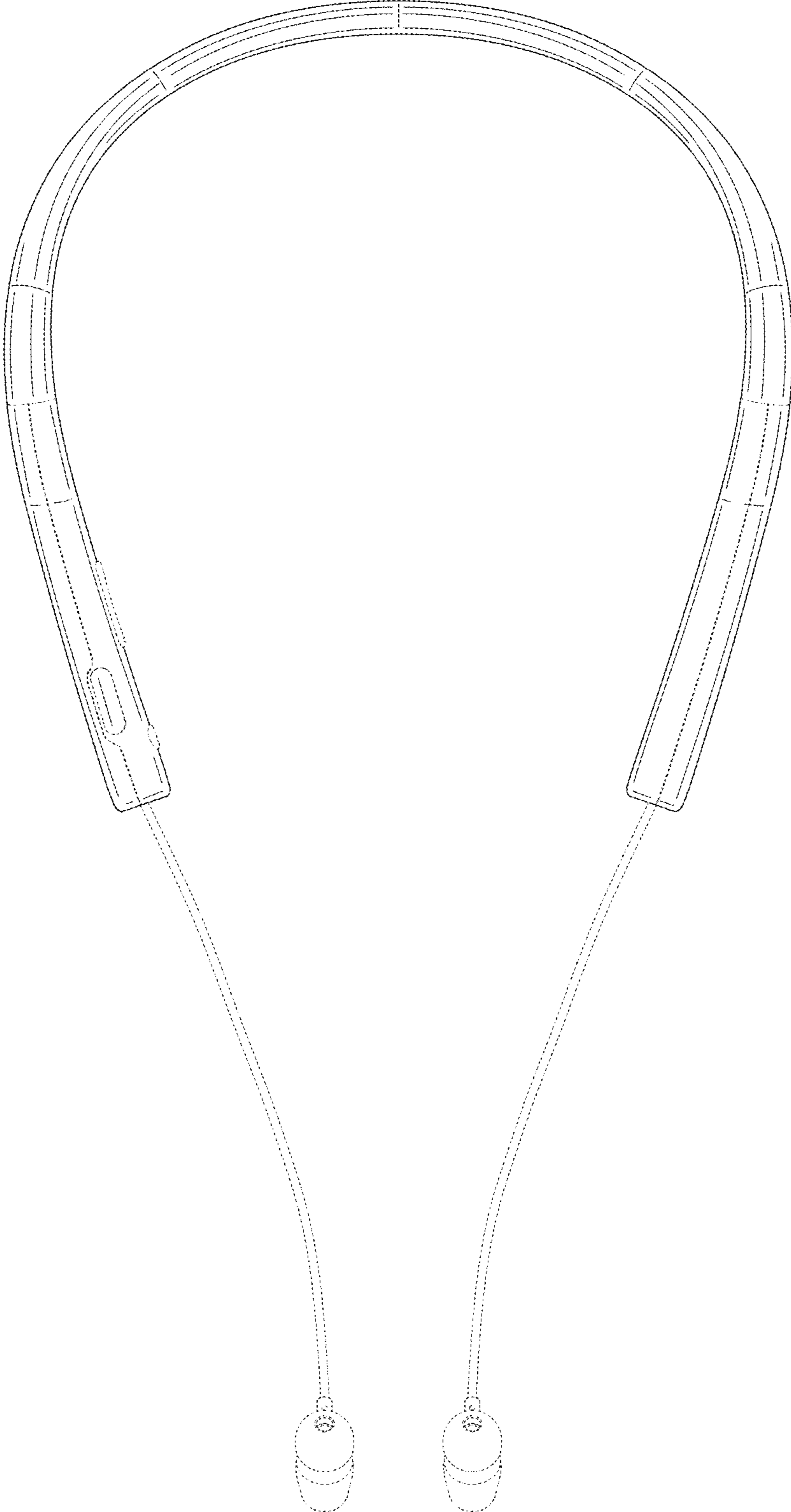


FIG.4

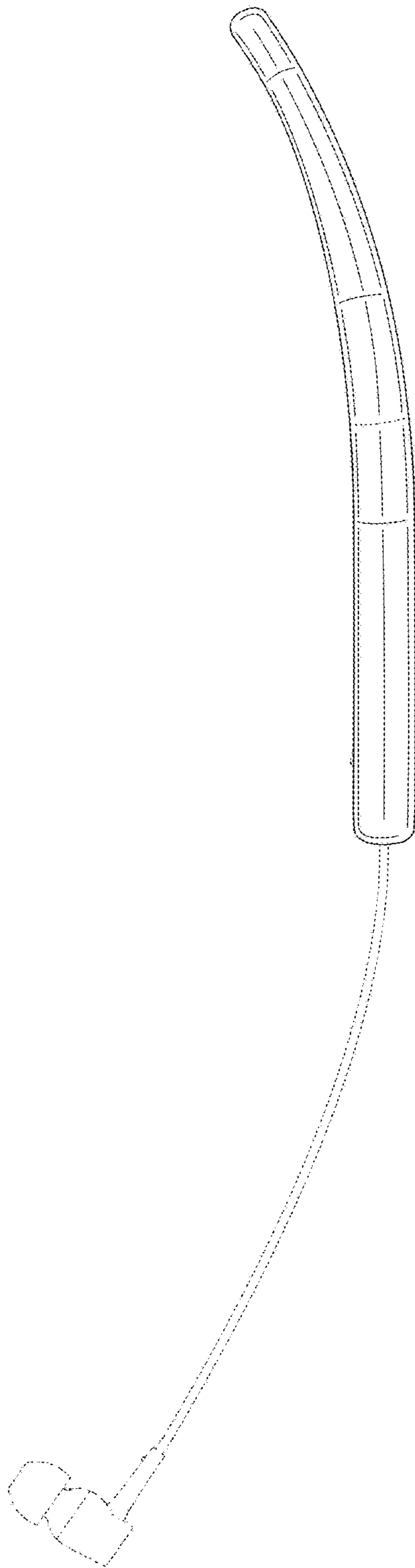


FIG.5

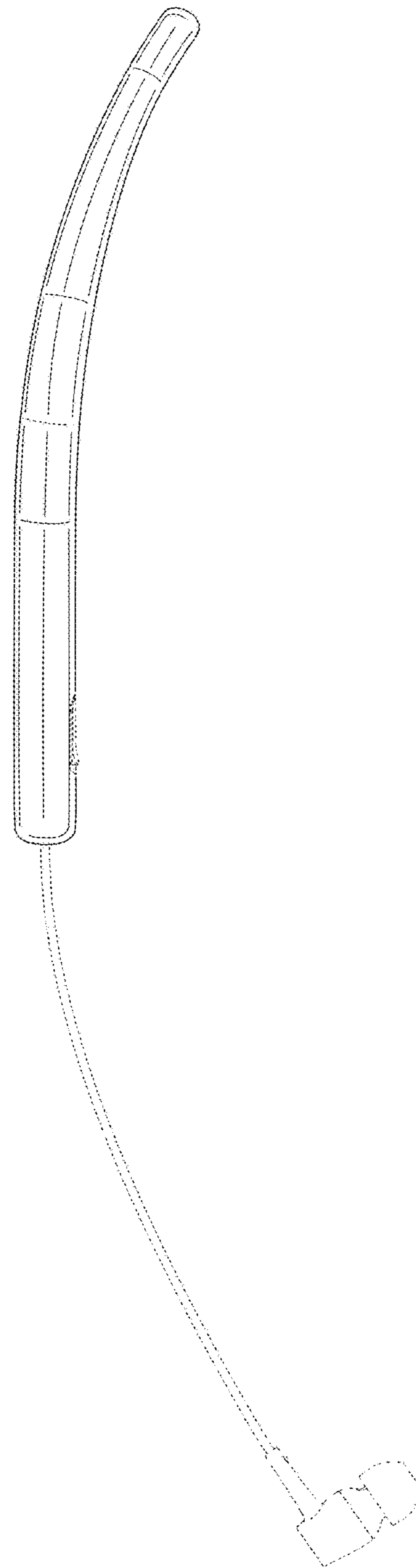


FIG.6

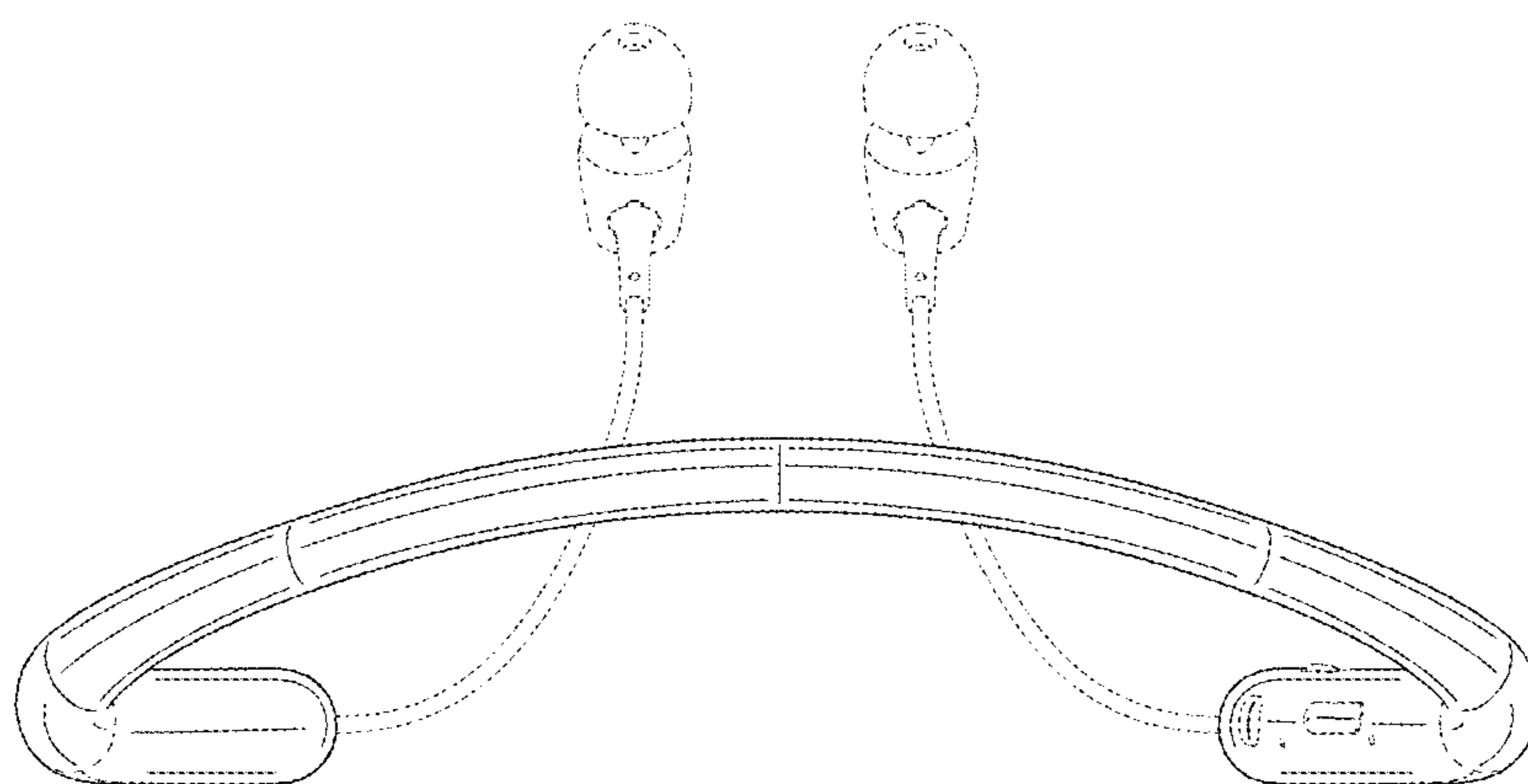


FIG.7

