



US00D802556S

(12) **United States Design Patent**
Galler

(10) **Patent No.:** **US D802,556 S**

(45) **Date of Patent:** **** Nov. 14, 2017**

(54) **PAIR OF HEADPHONES**

(71) Applicant: **Sennheiser electronic GmbH & Co. KG**, Wedemark (DE)

(72) Inventor: **Niklas Galler**, Berlin (DE)

(73) Assignee: **Sennheiser electronic GmbH & Co. KG**, Wedemark (DE)

(**) Term: **15 Years**

(21) Appl. No.: **29/529,928**

(22) Filed: **Jun. 11, 2015**

(30) **Foreign Application Priority Data**

Dec. 12, 2014	(EM)	002595850-0001
Dec. 12, 2014	(EM)	002595850-0002
Dec. 12, 2014	(EM)	002595850-0003
Dec. 12, 2014	(EM)	002595850-0004
Dec. 12, 2014	(EM)	002595850-0006
Dec. 12, 2014	(EM)	002595850-0007

(Continued)

(51) **LOC (10) Cl.** **14-01**

(52) **U.S. Cl.**
USPC **D14/205**

(58) **Field of Classification Search**
USPC D14/205, 206, 223; D29/112; 2/209;
181/129, 130, 135; 379/430, 431;
381/380, 381, 370, 371, 374, 189, 104,
381/321, 322, 328; 455/90.3, 575.1
CPC H04R 1/1066; H04R 25/00; H04R 1/1016;
H04R 1/1033; H04R 5/033; H04R 5/0335
See application file for complete search history.

(56) **References Cited**

U.S. PATENT DOCUMENTS

1,483,315 A *	2/1924	Saal	H04R 1/1066 381/374
1,560,718 A *	11/1925	Nowosielski	H04R 1/1066 381/377

(Continued)

Primary Examiner — Paula Allen Greene

(74) *Attorney, Agent, or Firm* — Haug Partners LLP

(57) **CLAIM**

The ornamental design for a pair of headphones, as shown and described.

DESCRIPTION

FIG. 1.1 is an isometric view of the pair of headphones in accordance with a first embodiment of the invention.

FIG. 1.2 is a left side view of the pair of headphones in accordance with a first embodiment of the invention.

FIG. 1.3 is a right side view of the pair of headphones in accordance with a first embodiment of the invention.

FIG. 1.4 is a top side view of the pair of headphones in accordance with a first embodiment of the invention.

FIG. 1.5 is a bottom side view of the pair of headphones in accordance with a first embodiment of the invention.

FIG. 1.6 is a front view of the pair of headphones in accordance with a first embodiment of the invention.

FIG. 1.7 is a rear view of the pair of headphones in accordance with a first embodiment of the invention.

FIG. 2.1 is an isometric view of the pair of headphones in accordance with a second embodiment of the invention.

FIG. 2.2 is a left side view of the pair of headphones in accordance with a second embodiment of the invention.

FIG. 2.3 is a right side view of the pair of headphones in accordance with a second embodiment of the invention.

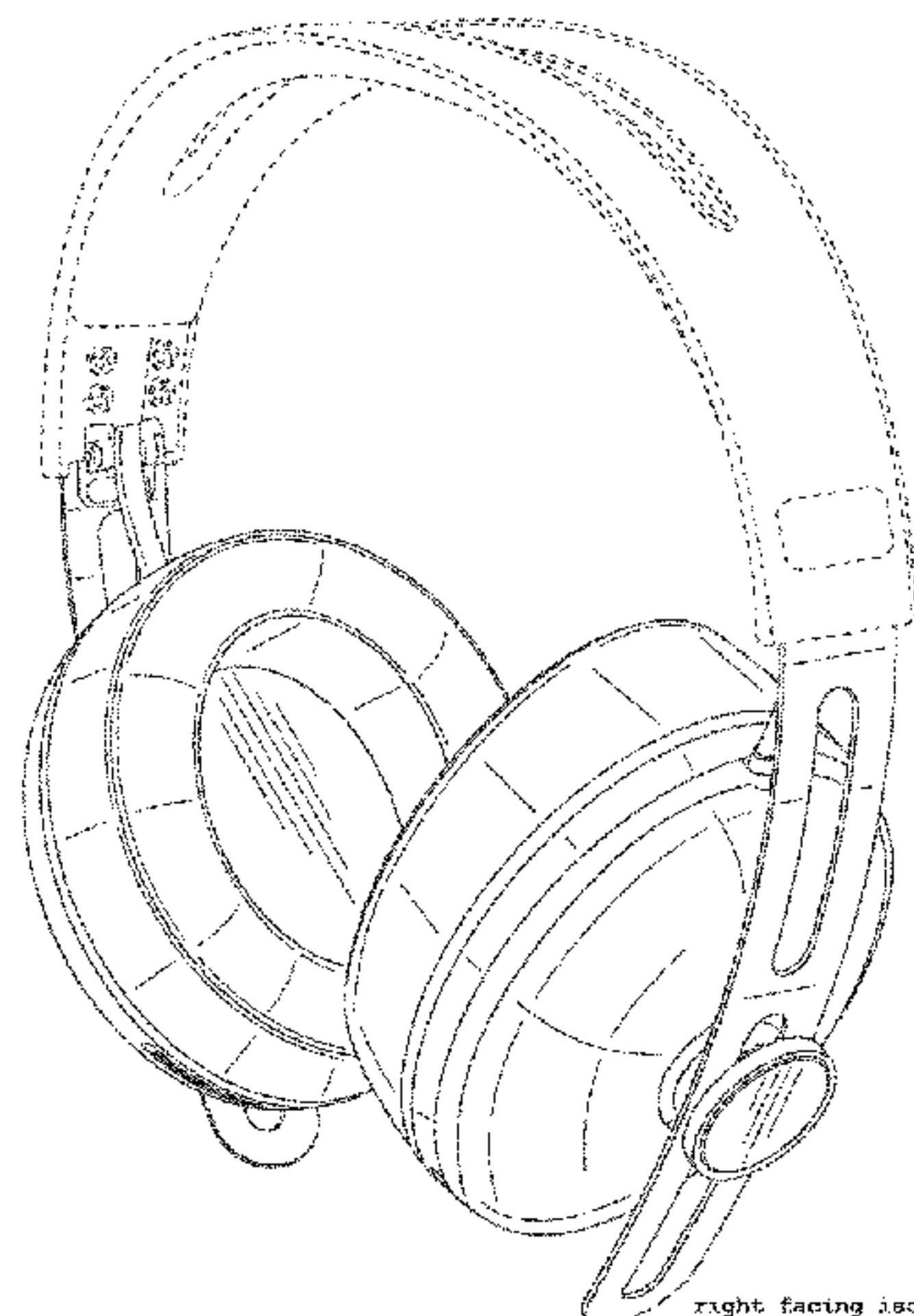
FIG. 2.4 is a top side view of the pair of headphones in accordance with a second embodiment of the invention.

FIG. 2.5 is a bottom side view of the pair of headphones in accordance with a second embodiment of the invention.

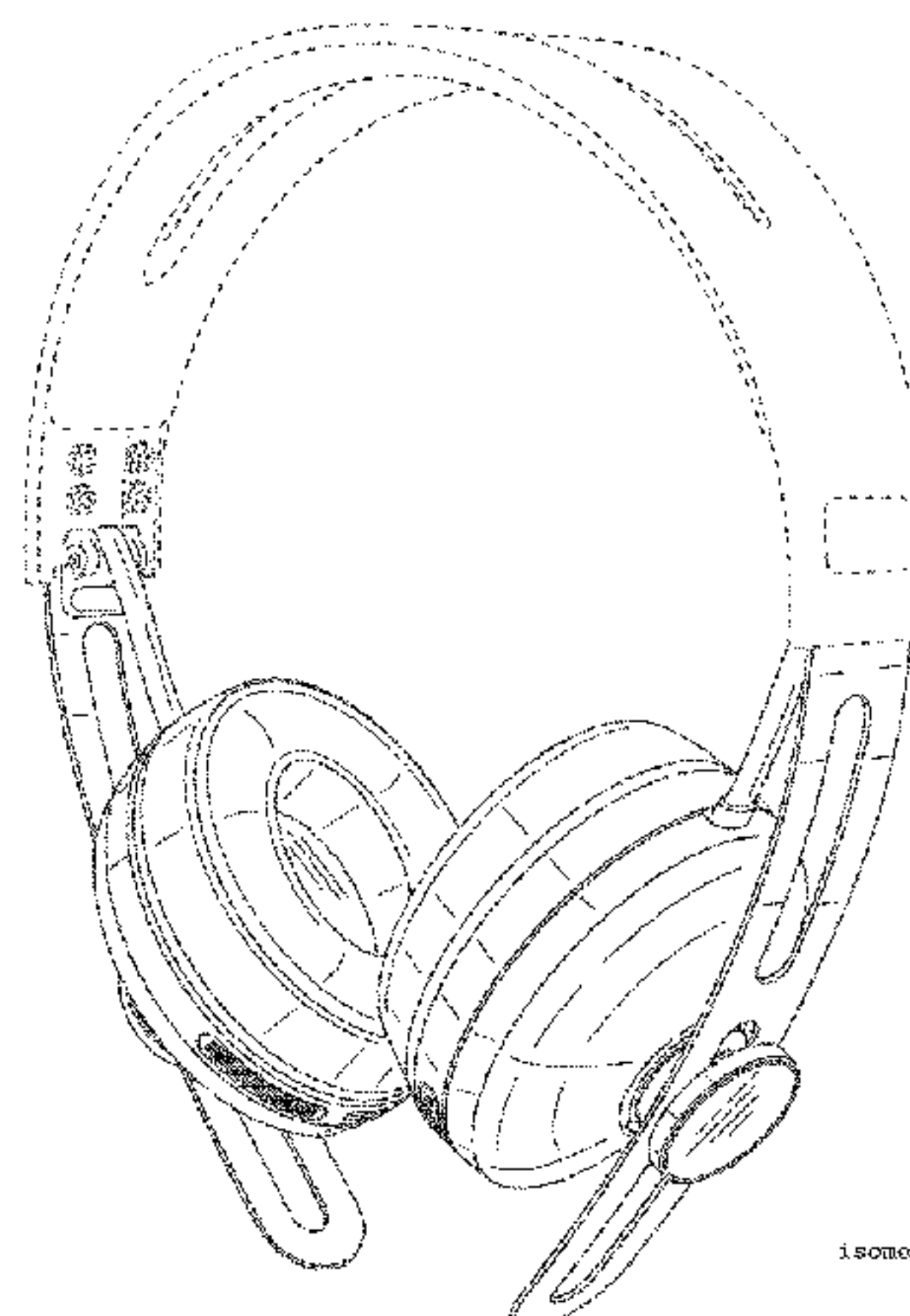
FIG. 2.6 is a front view of the pair of headphones in accordance with a second embodiment of the invention; and,

FIG. 2.7 is a rear view of the pair of headphones in accordance with a second embodiment of the invention.

1 Claim, 14 Drawing Sheets



right facing isometric view



isometric view

(30) **Foreign Application Priority Data**

Dec. 12, 2014 (EM) 002595850-0008
 Dec. 12, 2014 (EM) 002595850-0009

D560,654 S * 1/2008 Feng D14/205
 D570,825 S * 6/2008 Schultz D14/205
 D620,474 S * 7/2010 Komiyama D14/205
 7,766,120 B2 * 8/2010 Hansson A61F 11/14
 181/129

(56) **References Cited**

U.S. PATENT DOCUMENTS

2,149,341 A * 3/1939 Harrison H04R 1/1066
 248/274.1
 D203,677 S * 2/1966 Spilman D14/205
 D229,833 S * 1/1974 Woodbury D14/205
 4,133,053 A * 1/1979 Lundin H04R 1/1058
 2/209
 4,572,323 A * 2/1986 Randall A61F 11/14
 181/129
 D313,092 S * 12/1990 Nilsson D14/205
 D449,034 S * 10/2001 Weikel D14/205
 6,611,963 B2 * 9/2003 Woo H04R 5/0335
 2/209
 6,678,897 B2 * 1/2004 Lindgren A61F 11/14
 181/129

D650,356 S * 12/2011 Alden D14/205
 D657,345 S * 4/2012 Brunner D14/205
 D663,717 S * 7/2012 Hutchieson D14/206
 D668,633 S * 10/2012 Enquist D14/205
 D673,929 S * 1/2013 Combs D14/205
 D677,241 S * 3/2013 Kelly D14/205
 D693,793 S * 11/2013 Kelly D14/205
 D695,263 S * 12/2013 Mogili D14/205
 D696,226 S * 12/2013 Brunner D14/205
 D700,590 S * 3/2014 Heath D14/205
 D704,163 S * 5/2014 Brunner D14/205
 D724,560 S * 3/2015 Galler D14/205
 D736,176 S * 8/2015 Rapitsch D14/205
 D740,254 S * 10/2015 Huang D14/205
 2014/0177884 A1 * 6/2014 Minarik H04R 1/1066
 381/309

* cited by examiner



Fig. 1.1

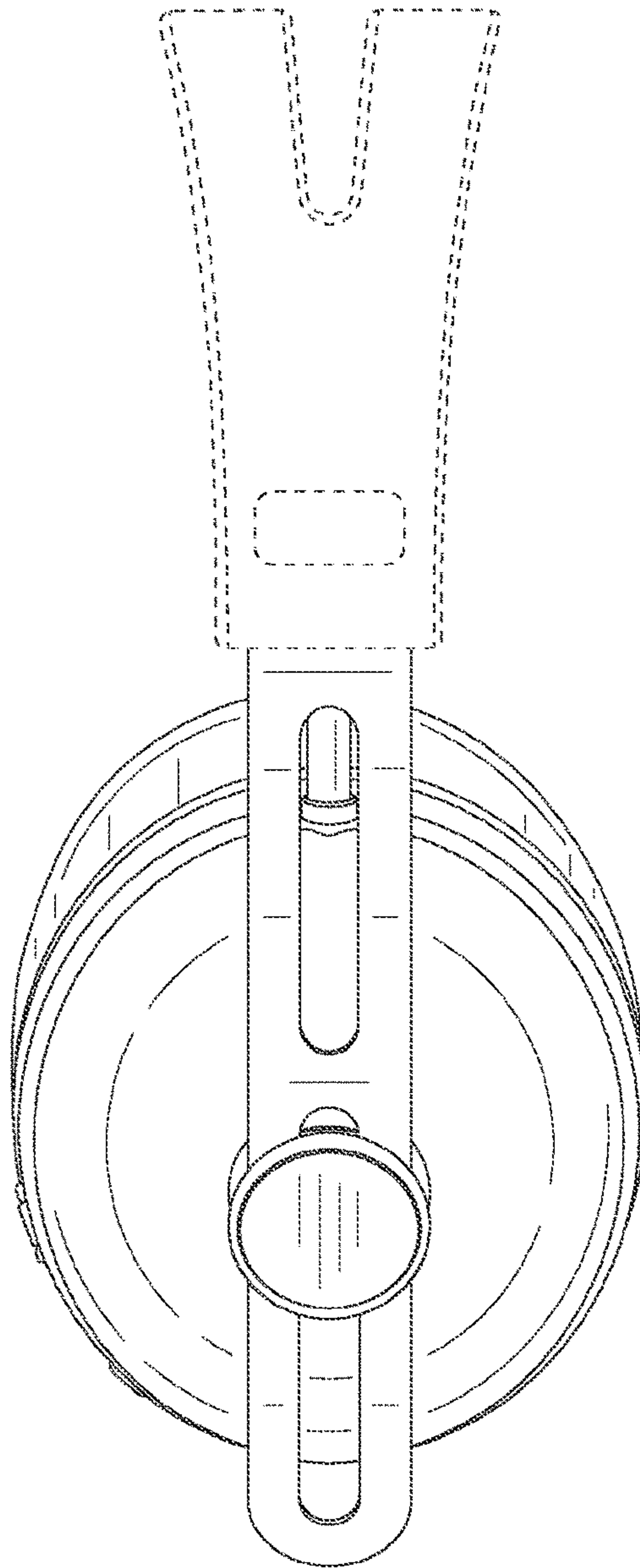


Fig. 1.2

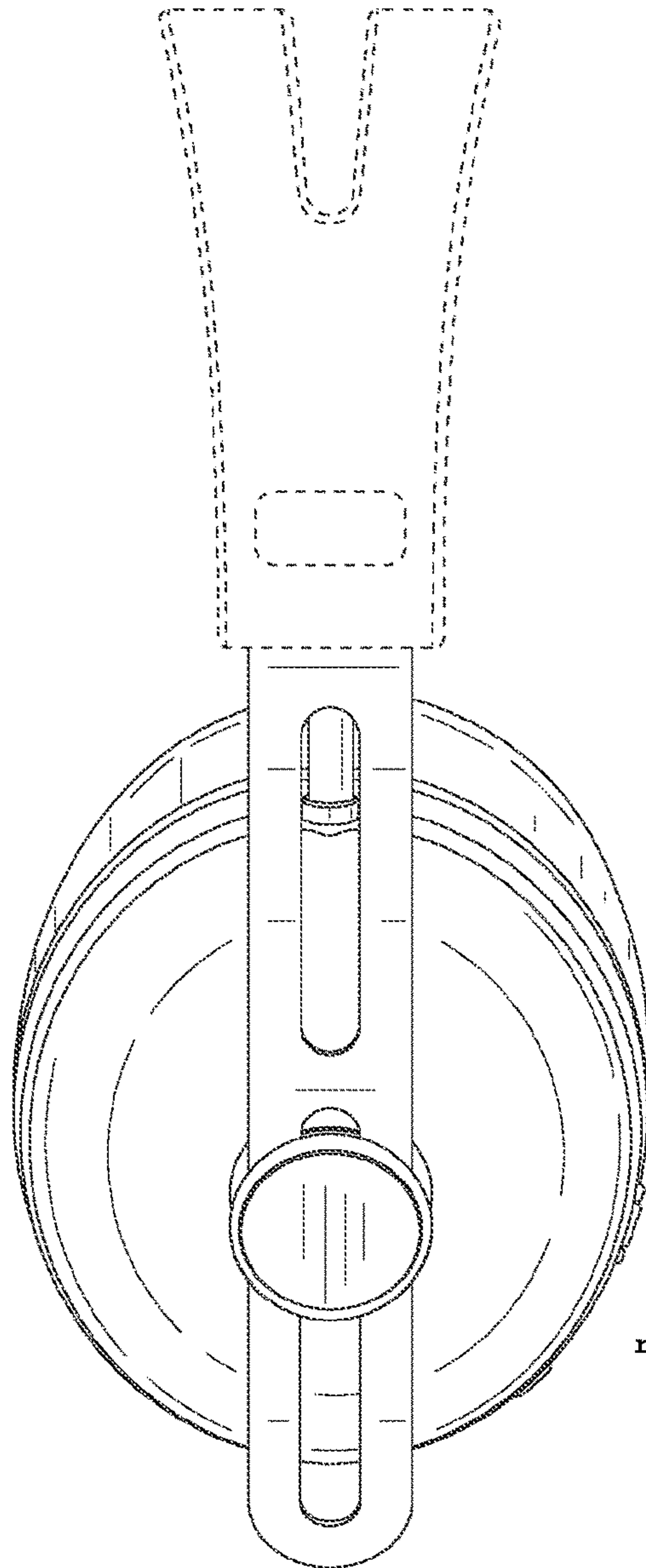


Fig. 1.3

right side view

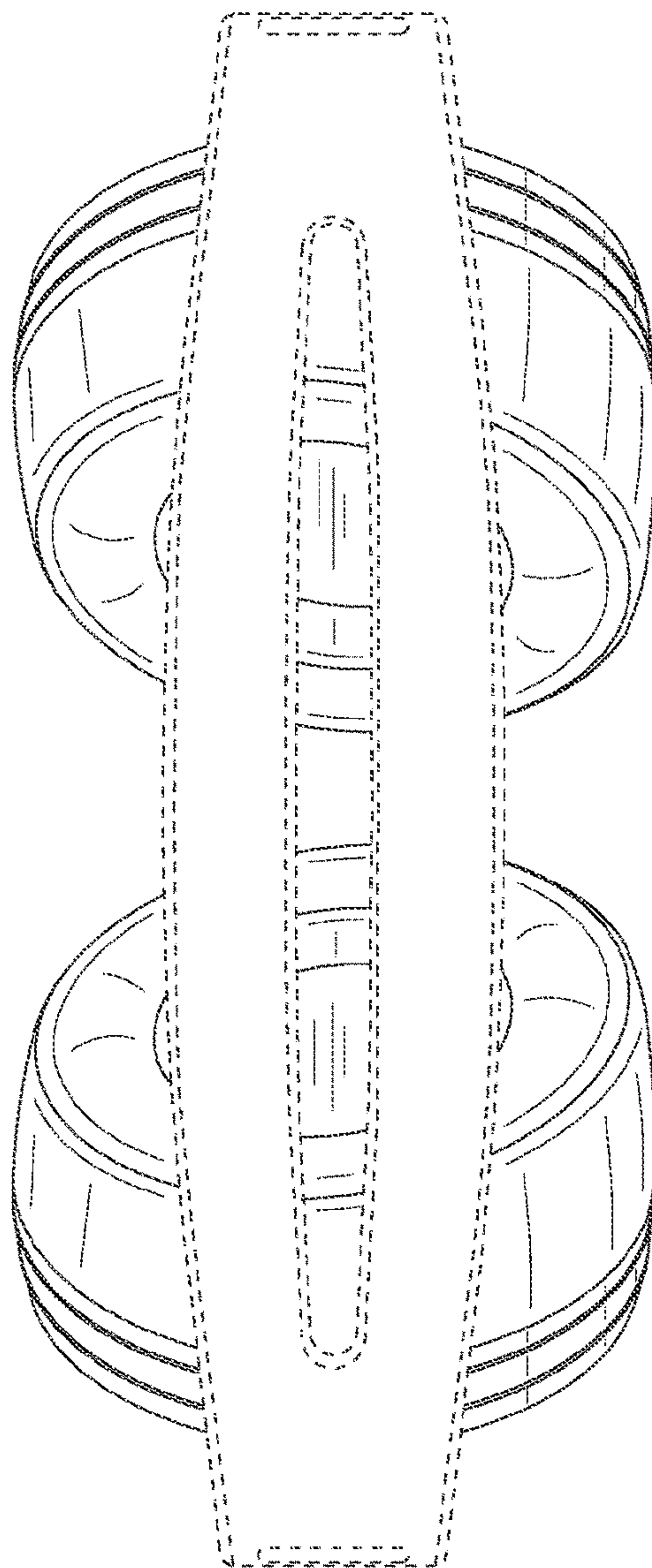


Fig. 1.4

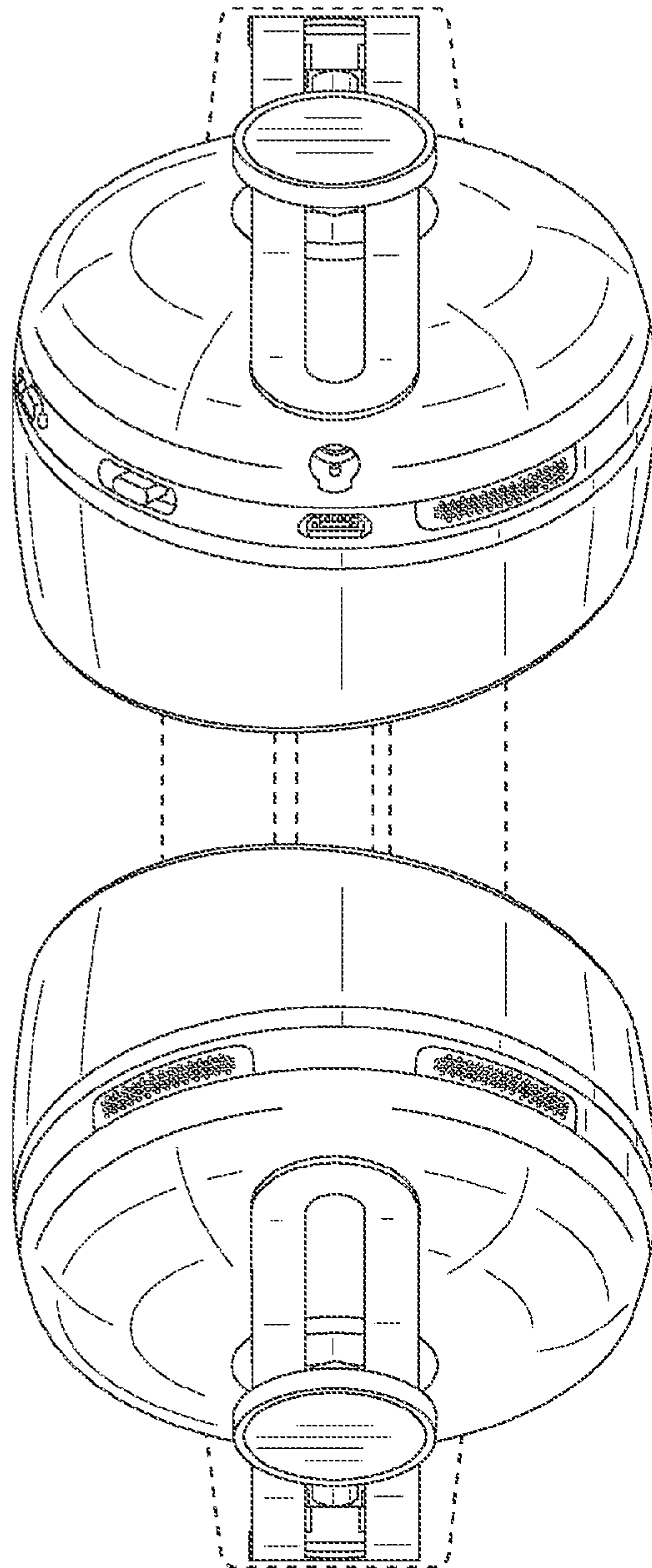
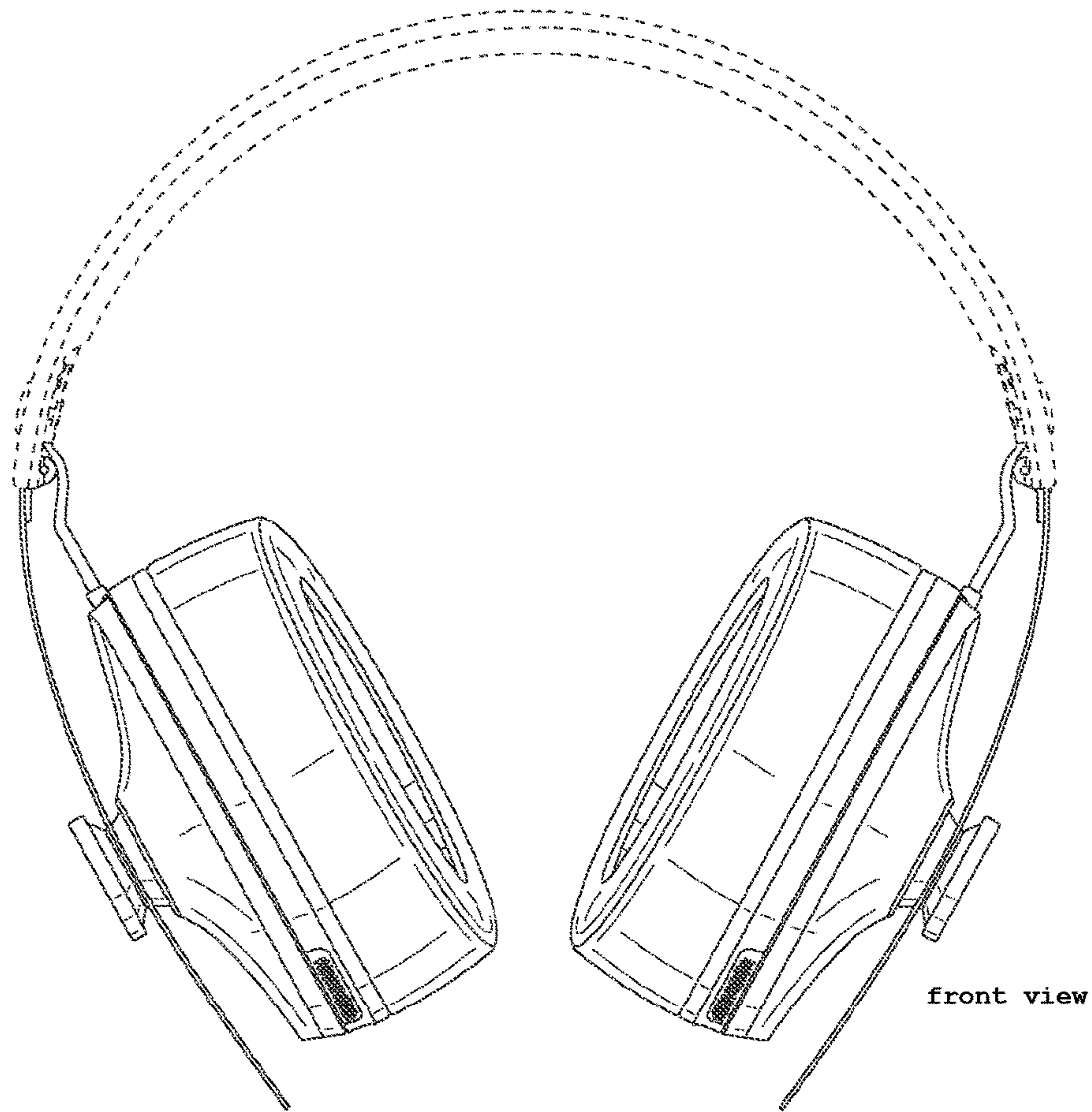


Fig. 1.5



front view

Fig. 1.6

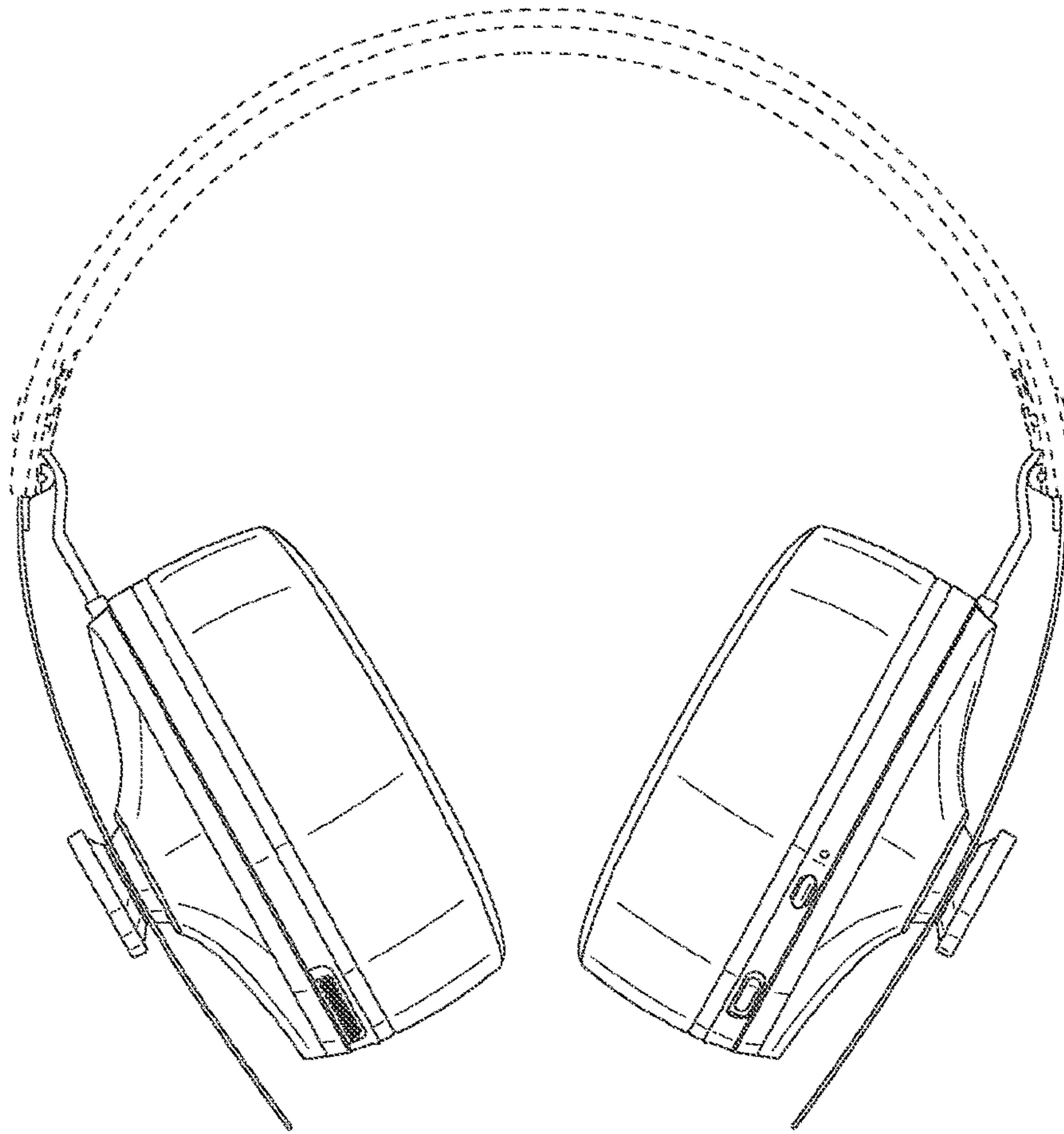


Fig. 1.7 rear view

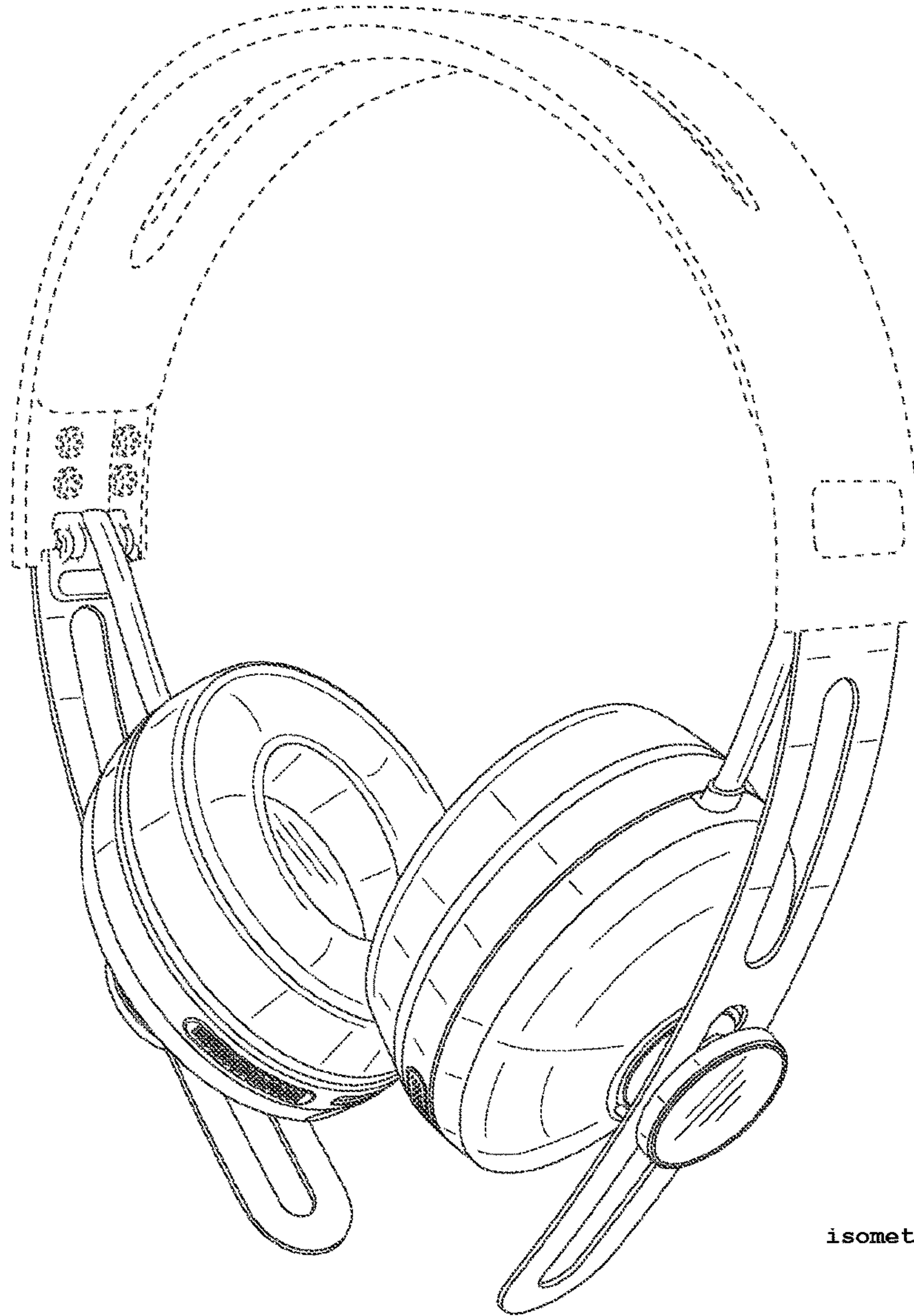


Fig. 2.1

isometric view

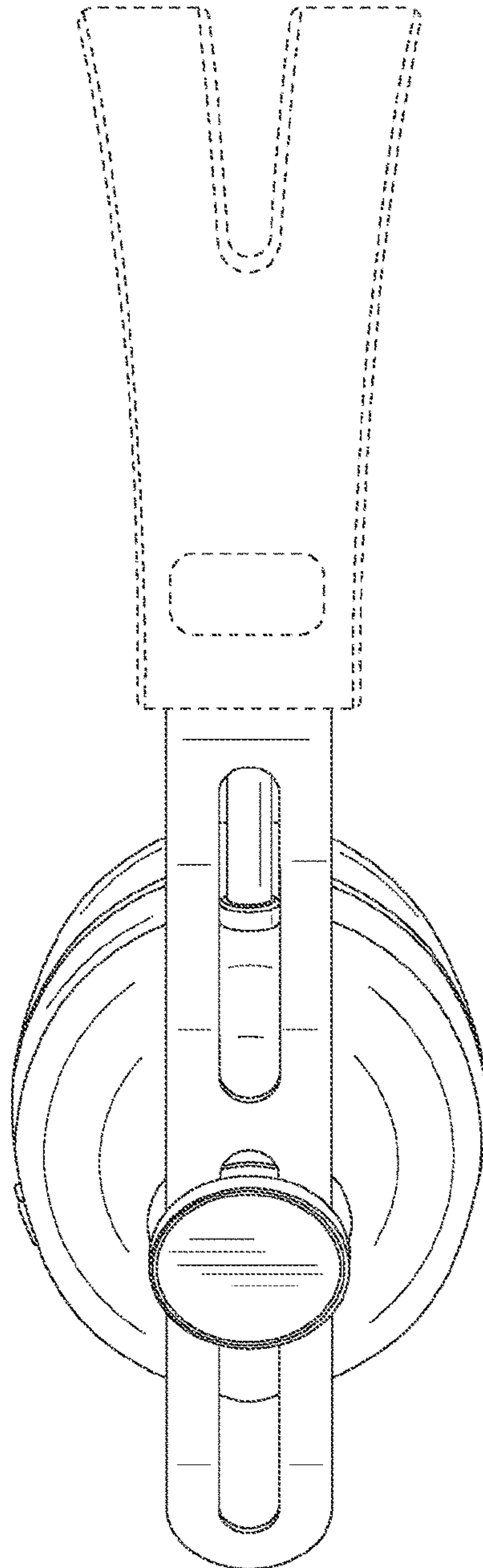


Fig. 2.2

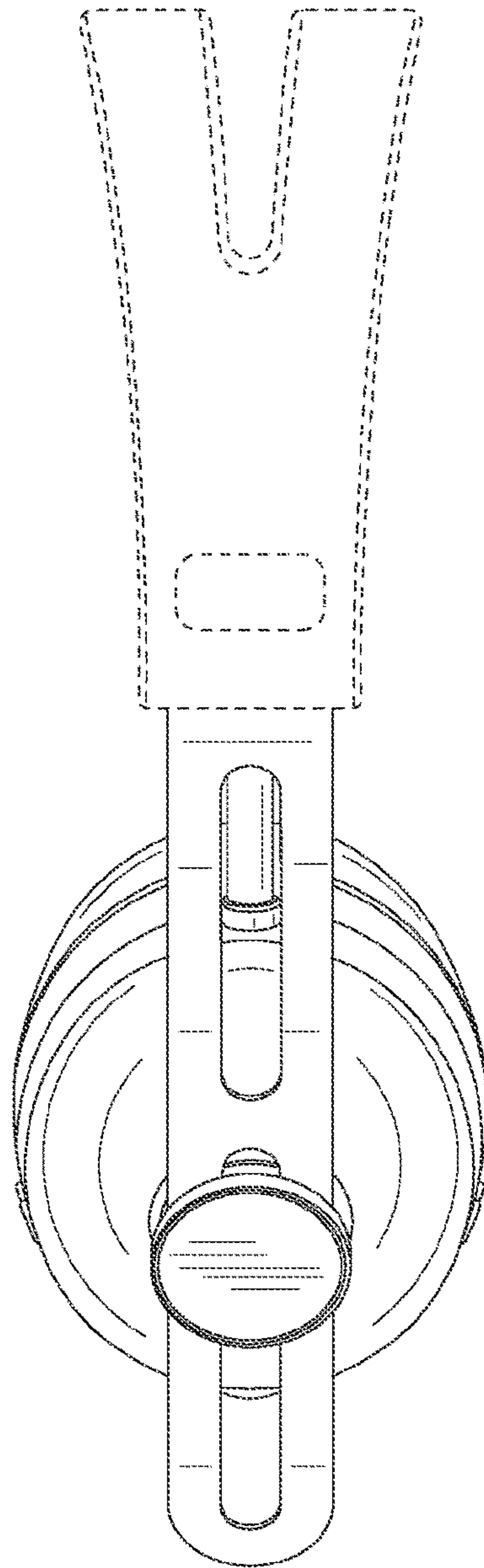


Fig. 2.3

right side view

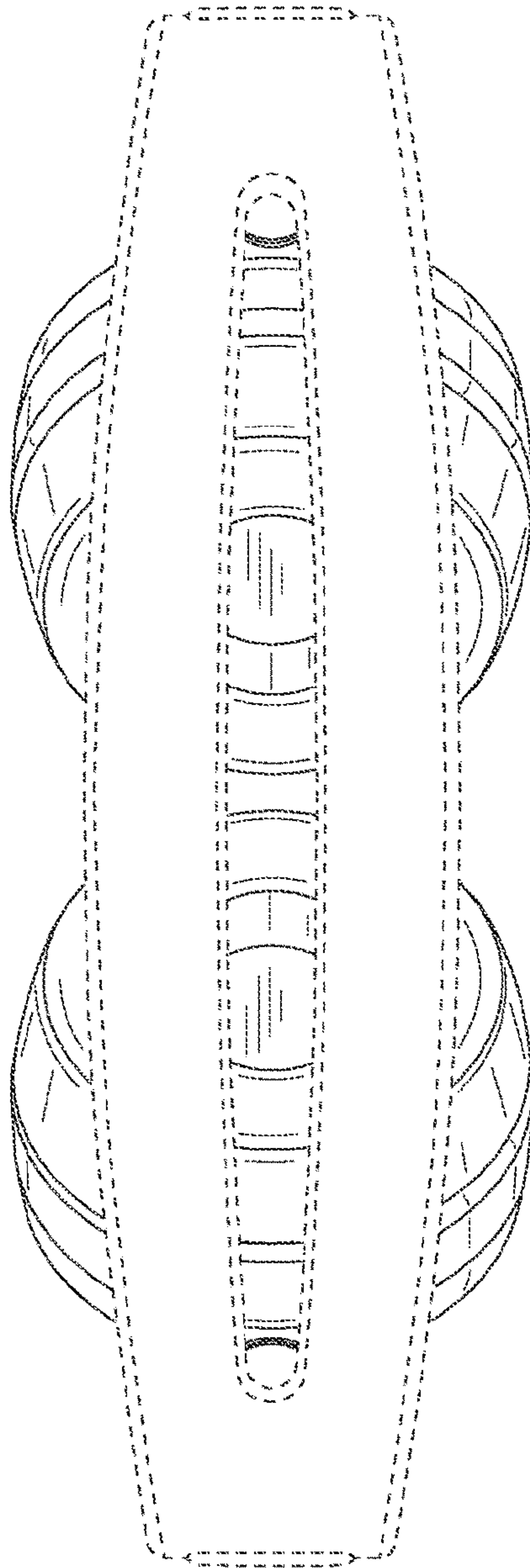


Fig. 2.4

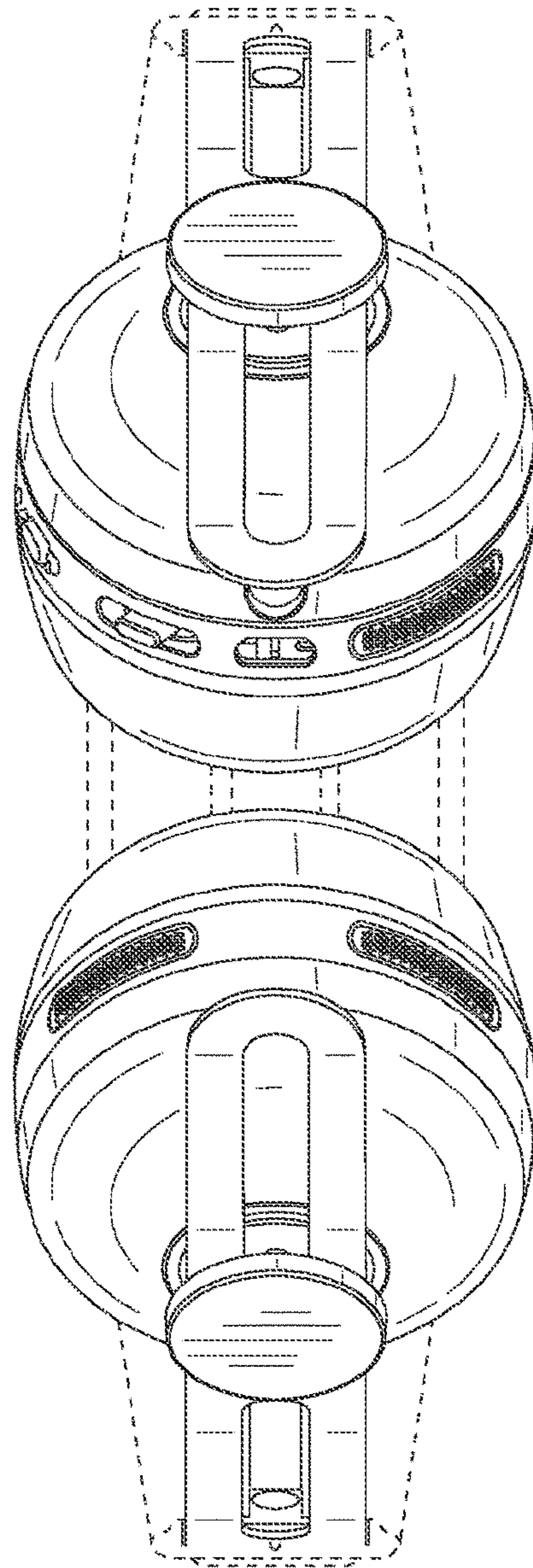


Fig. 2.5

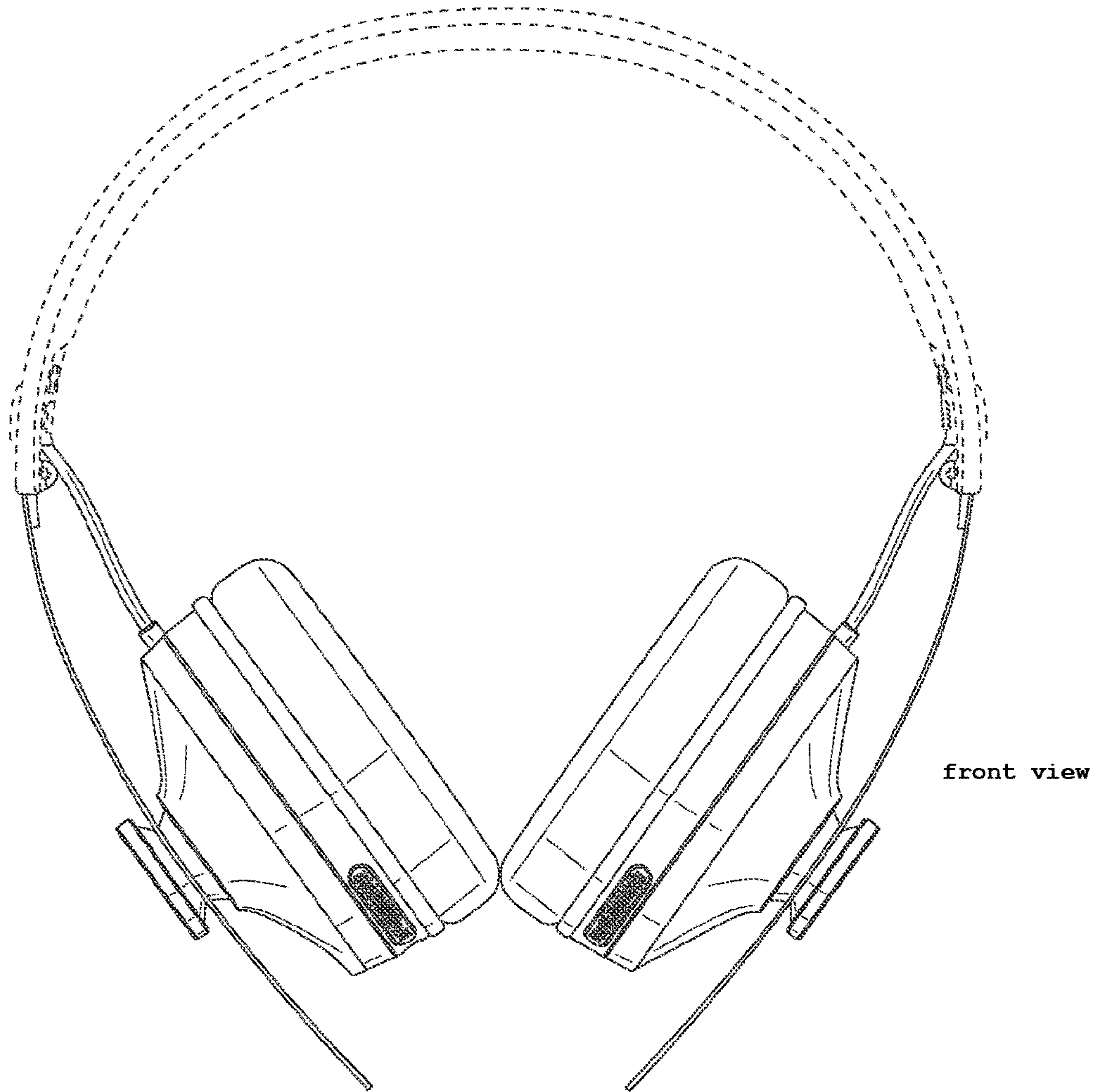


Fig. 2.6

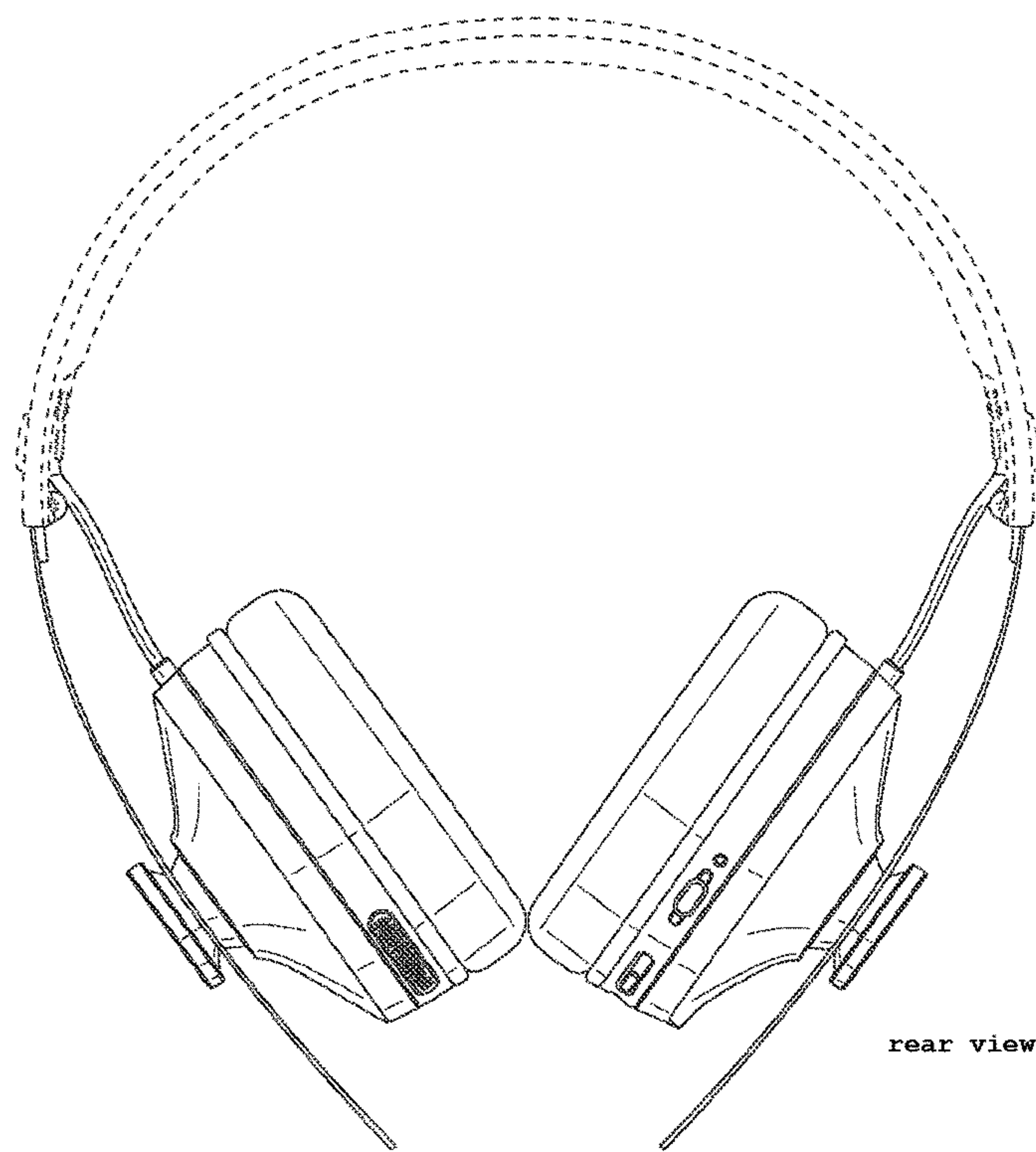


Fig. 2.7