



US00D802549S

(12) **United States Design Patent**
Kim et al.

(10) **Patent No.:** **US D802,549 S**

(45) **Date of Patent:** **** Nov. 14, 2017**

(54) **TELEVISION RECEIVER**

G02B 6/0068; H05K 5/02; H05K 5/0004;
H05K 5/0017; H05K 5/0217

(71) Applicant: **LG ELECTRONICS INC.**, Seoul
(KR)

See application file for complete search history.

(72) Inventors: **Yooseok Kim**, Seoul (KR); **Jongyoun Shin**, Seoul (KR); **Younsoo Kim**, Seoul (KR); **Misun Park**, Seoul (KR)

(56) **References Cited**

U.S. PATENT DOCUMENTS

(73) Assignee: **LG ELECTRONICS INC.**, Seoul
(KR)

7,463,238	B2 *	12/2008	Funkhouser	G06F 1/1601
					345/107
D680,088	S *	4/2013	Park	D14/126
D735,709	S *	8/2015	Daniel	D14/341
D744,998	S *	12/2015	Ahn	D14/341
D773,417	S *	12/2016	Kim	D14/126
D773,419	S *	12/2016	Han	D14/126
D773,420	S *	12/2016	Kim	D14/126

(**) Term: **15 Years**

(Continued)

(21) Appl. No.: **35/501,422**

Primary Examiner — Keli L Hill

(22) Filed: **Feb. 25, 2016**

(74) *Attorney, Agent, or Firm* — Birch, Stewart, Kolasch & Birch, LLP

(80) **Hague Agreement Data**

Int. Filing Date: **Feb. 25, 2016**

Int. Reg. No.: **DM/089775**

Int. Reg. Date: **Feb. 25, 2016**

Int. Reg. Pub. Date: **Aug. 26, 2016**

(57) **CLAIM**

The ornamental design for a television receiver, as shown and described.

(30) **Foreign Application Priority Data**

Aug. 31, 2015 (KR) 30-2015-0043854

(51) **LOC (10) Cl.** **14-03**

(52) **U.S. Cl.**
USPC **D14/126**

(58) **Field of Classification Search**

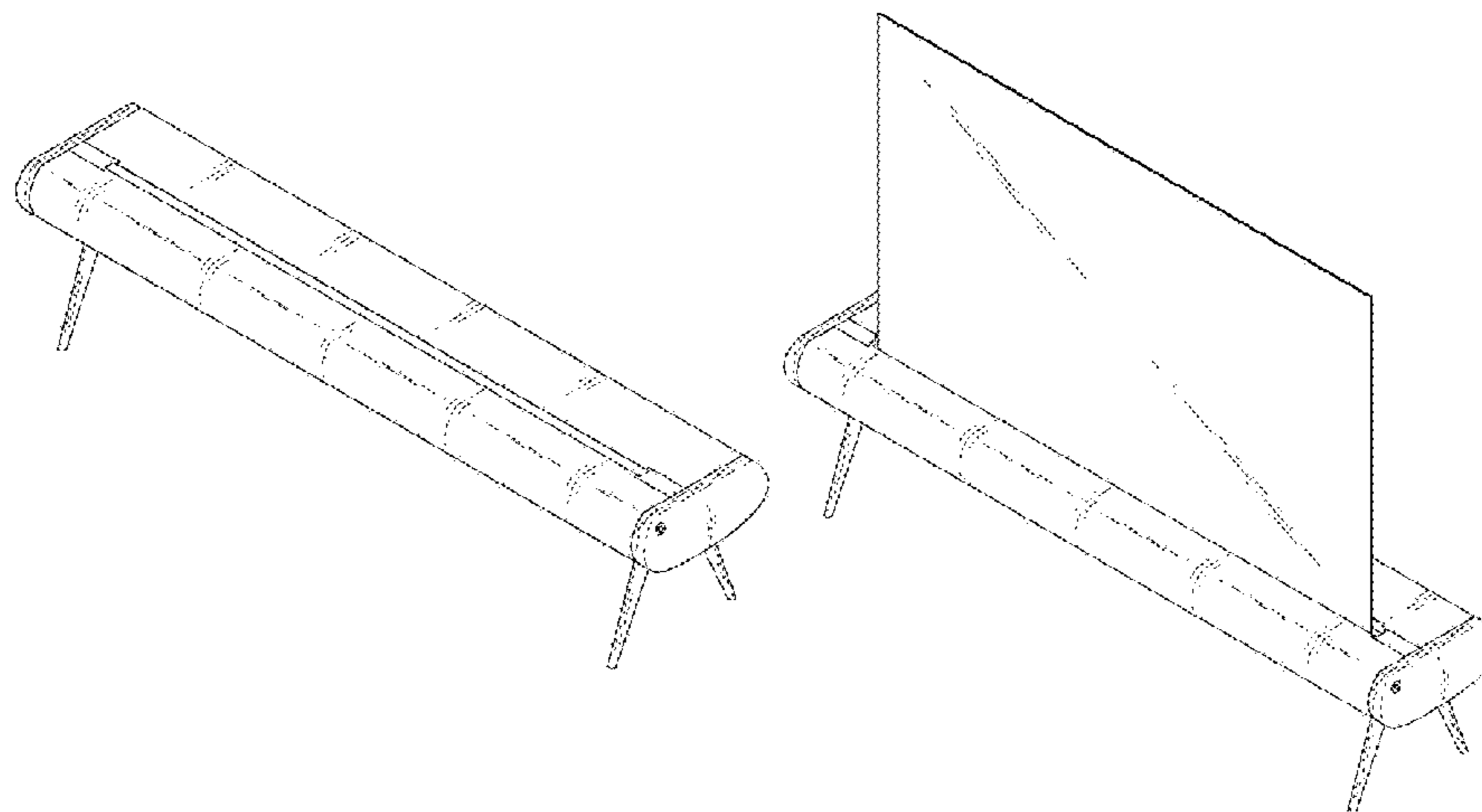
USPC D14/125, 126, 128, 133, 239, 336, 371,
D14/374-377, 448, 450; D20/10, 19, 39;
D21/329, 515; 312/7.2; 348/180, 184,
348/325, 739, 836, 838; 248/465,
248/917-924; 345/87, 104, 133, 156,
345/168, 173

CPC G06F 1/1601; G06F 1/1643; H04N 5/64;
H04N 5/66; H04N 5/655; H04N 7/00;
H04N 9/3141; H04N 13/0459; H04N
17/04; H04N 17/004; H04N 21/43637;

DESCRIPTION

1. Television receiver
- 1.1 : Perspective with screen retracted
- 1.2 : Front
- 1.3 : Back
- 1.4 : Left
- 1.5 : Right
- 1.6 : Top
- 1.7 : Bottom
- 1.8 : Perspective with screen extended
- 1.9 : Front
- 1.10 : Back
- 1.11 : Left
- 1.12 : Right
- 1.13 : Top
- 1.14 : Bottom

(Continued)



The gist of the present ornamental design is a combination of shape and pattern of “television receiver”, as shown and described.

1 Claim, 14 Drawing Sheets

(56)

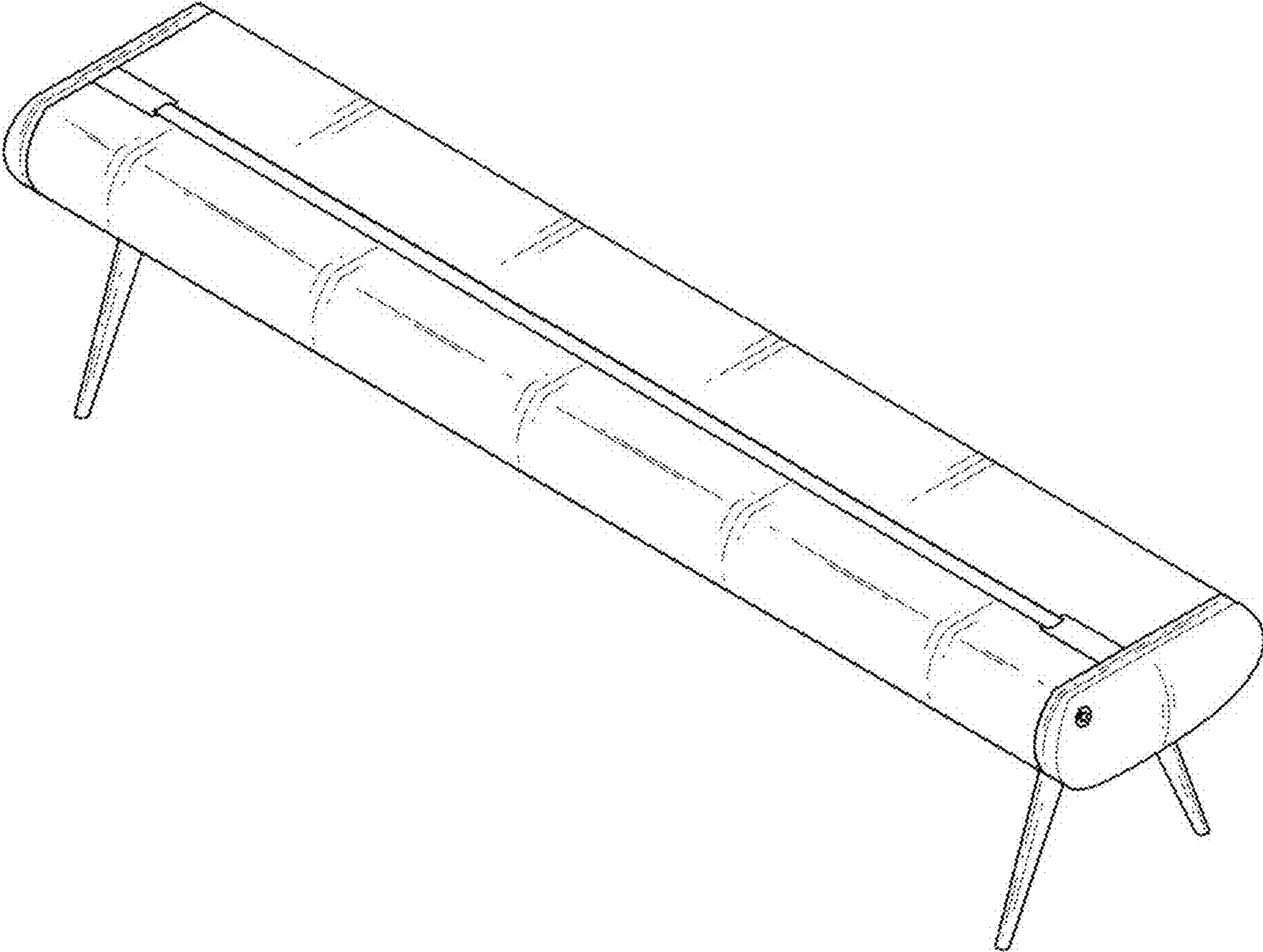
References Cited

U.S. PATENT DOCUMENTS

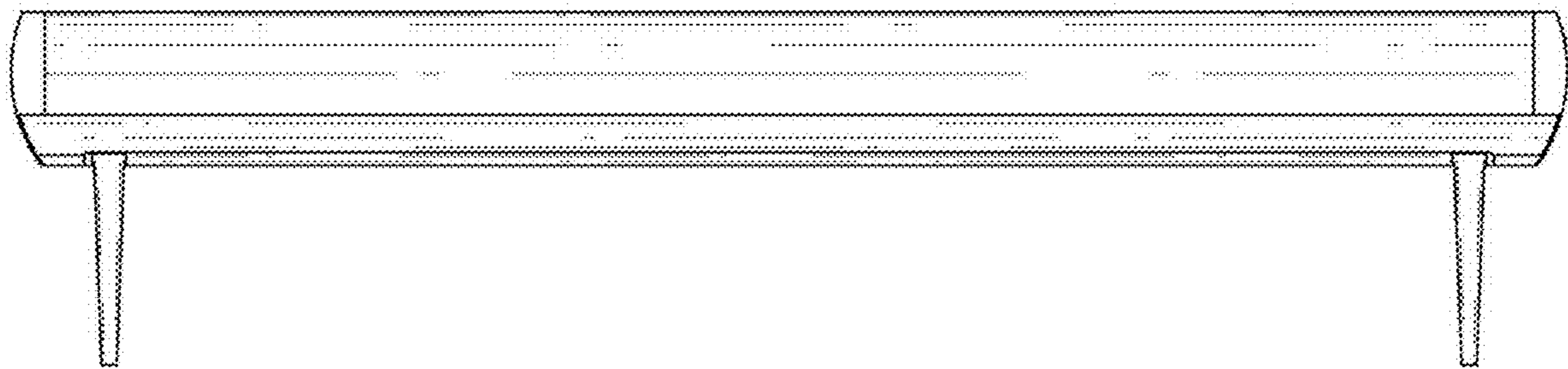
D776,072 S *	1/2017	Kim	D14/126
D778,858 S *	2/2017	Kim	D14/126
D778,859 S *	2/2017	Kim	D14/126
D785,582 S *	5/2017	Lee	D14/126

* cited by examiner

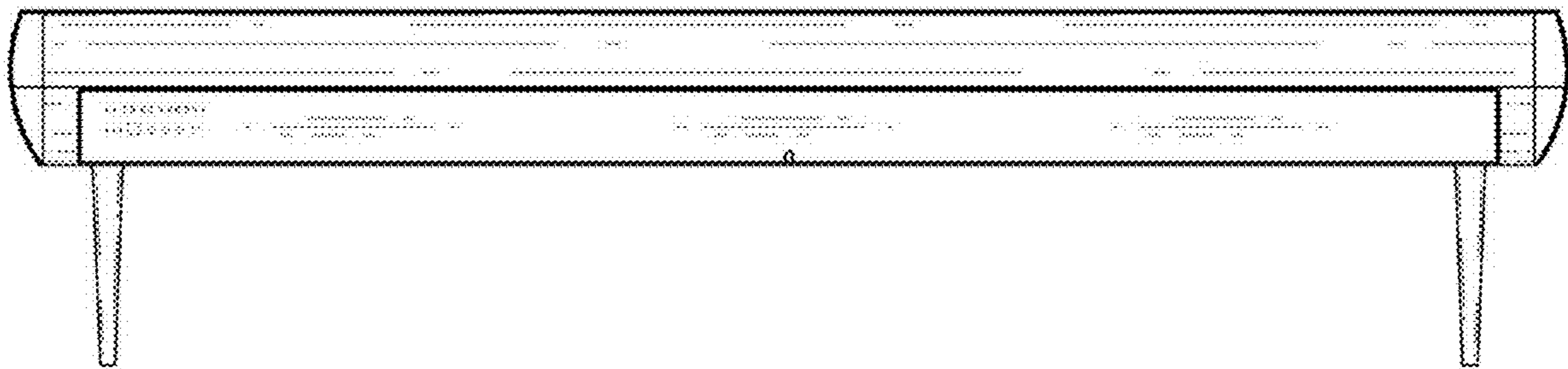
1.1



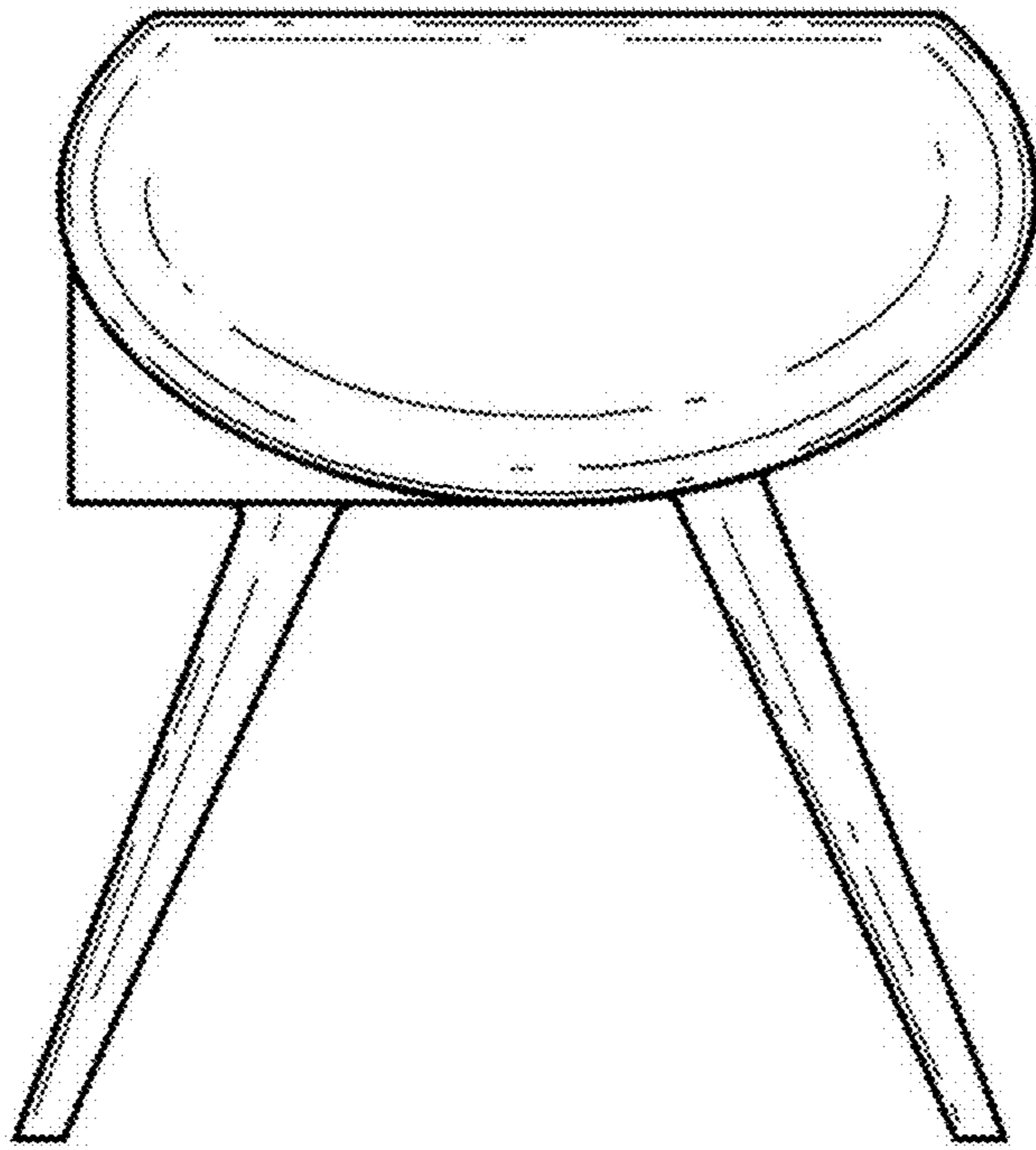
1.2



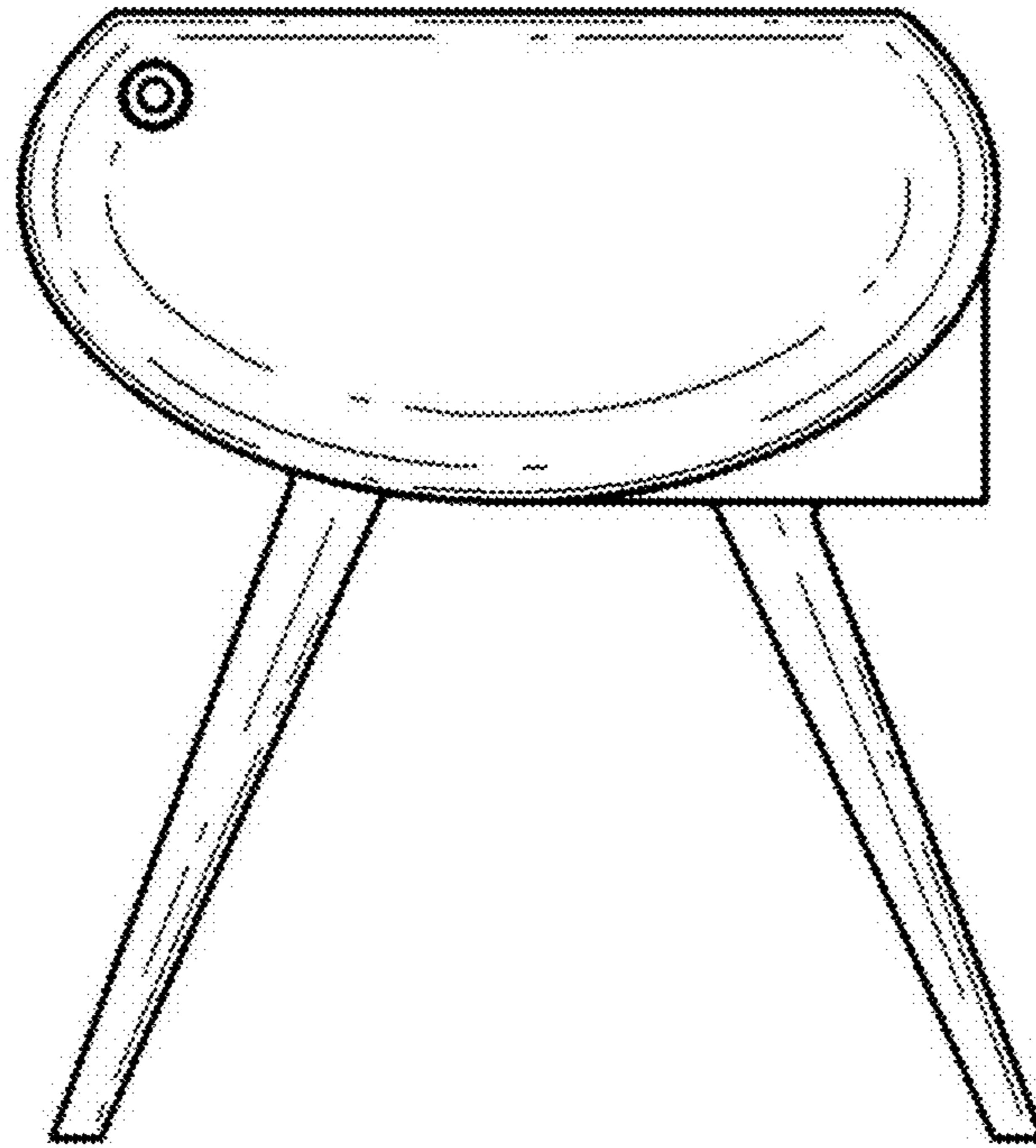
1.3



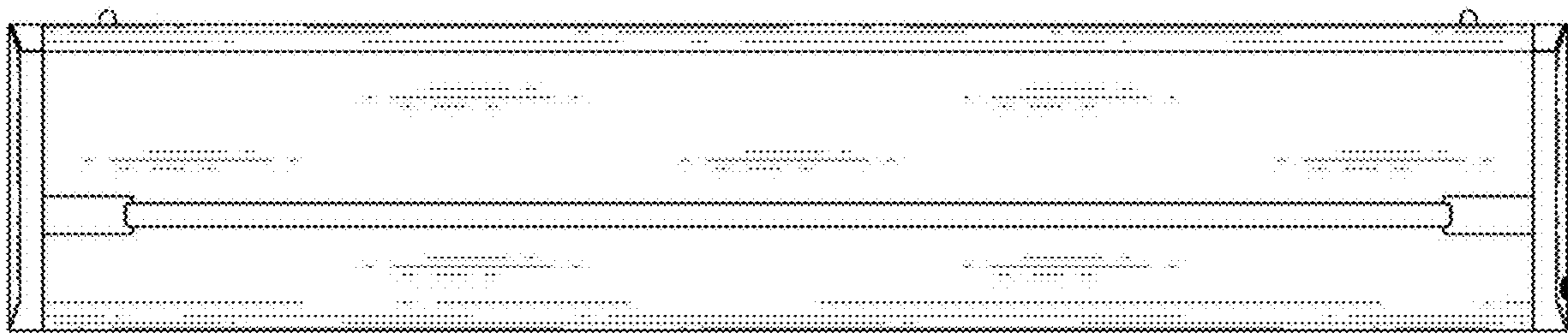
1.4



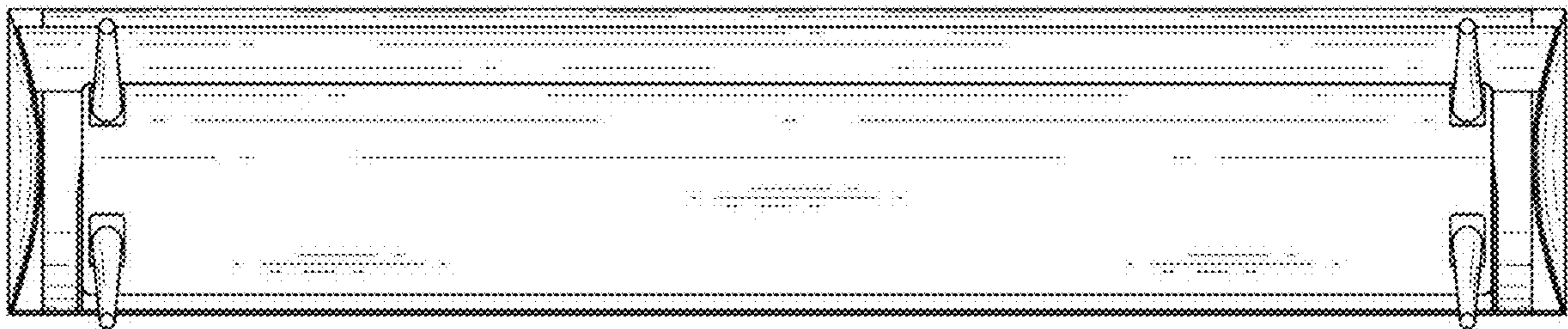
1.5



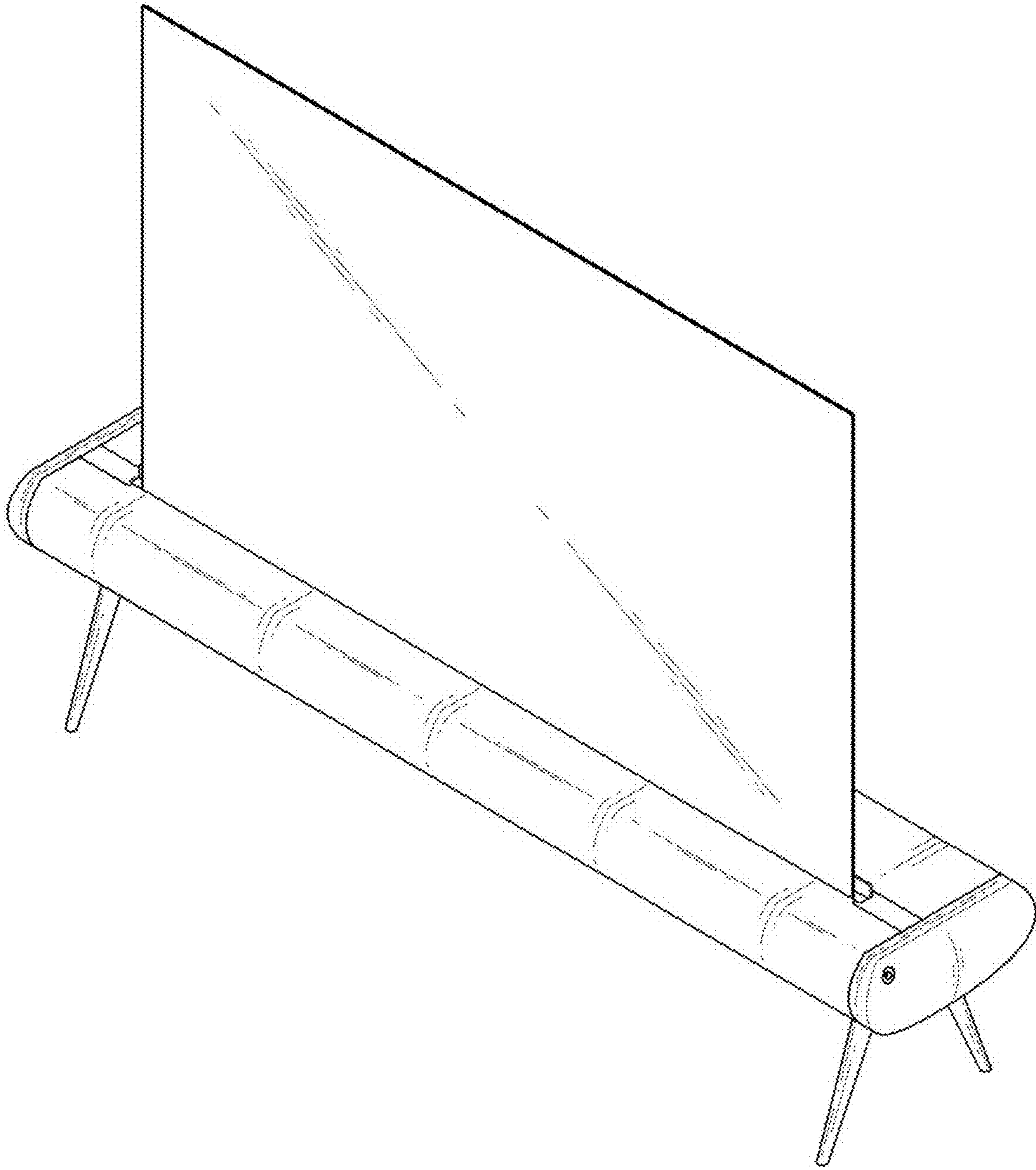
1.6



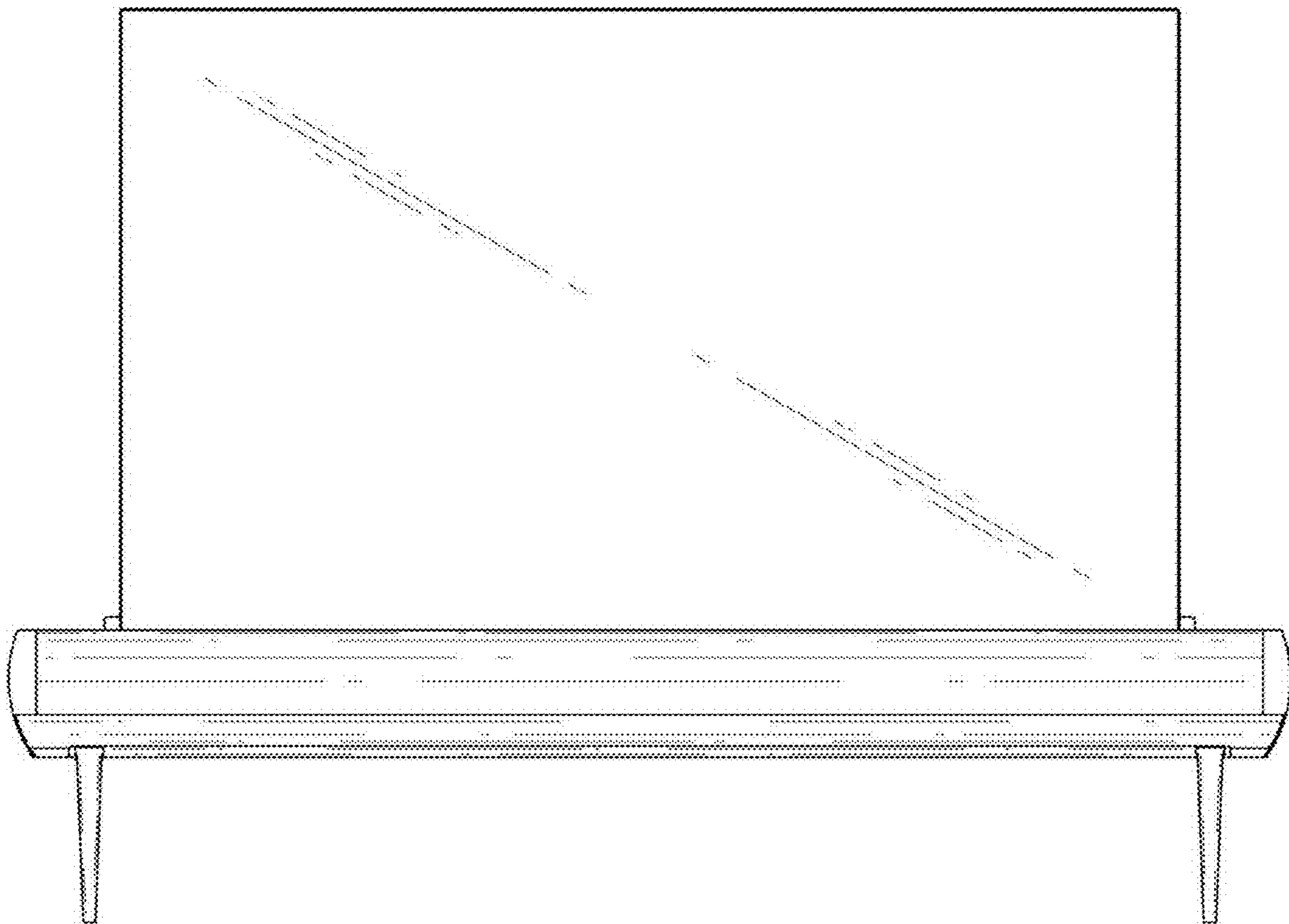
1.7



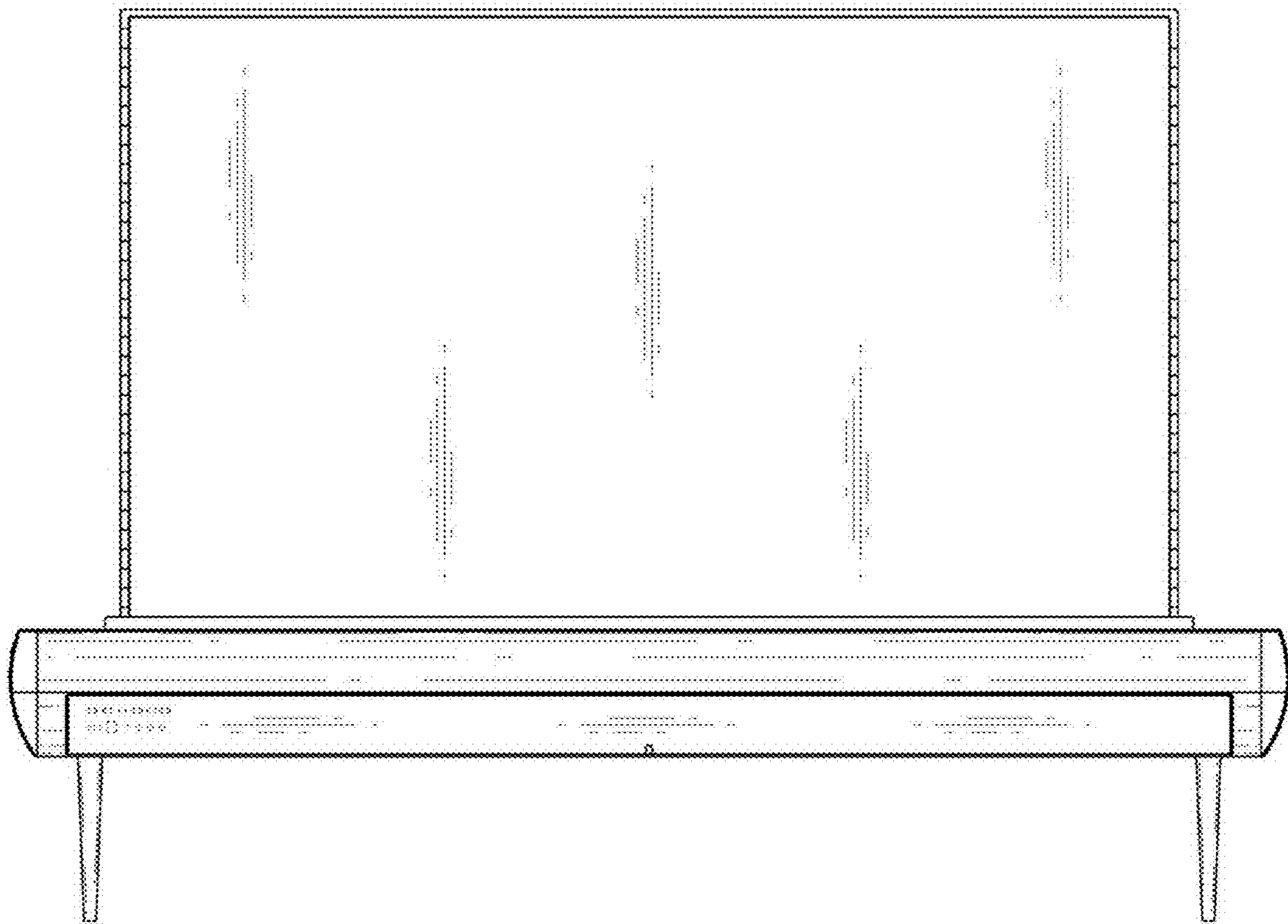
1.8



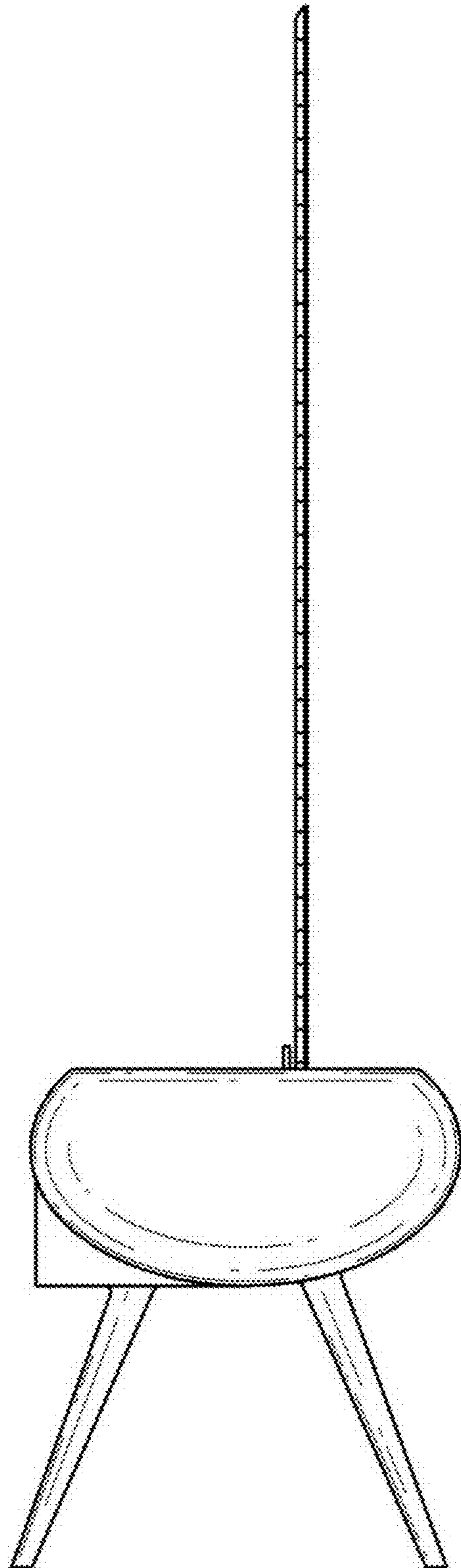
1.9



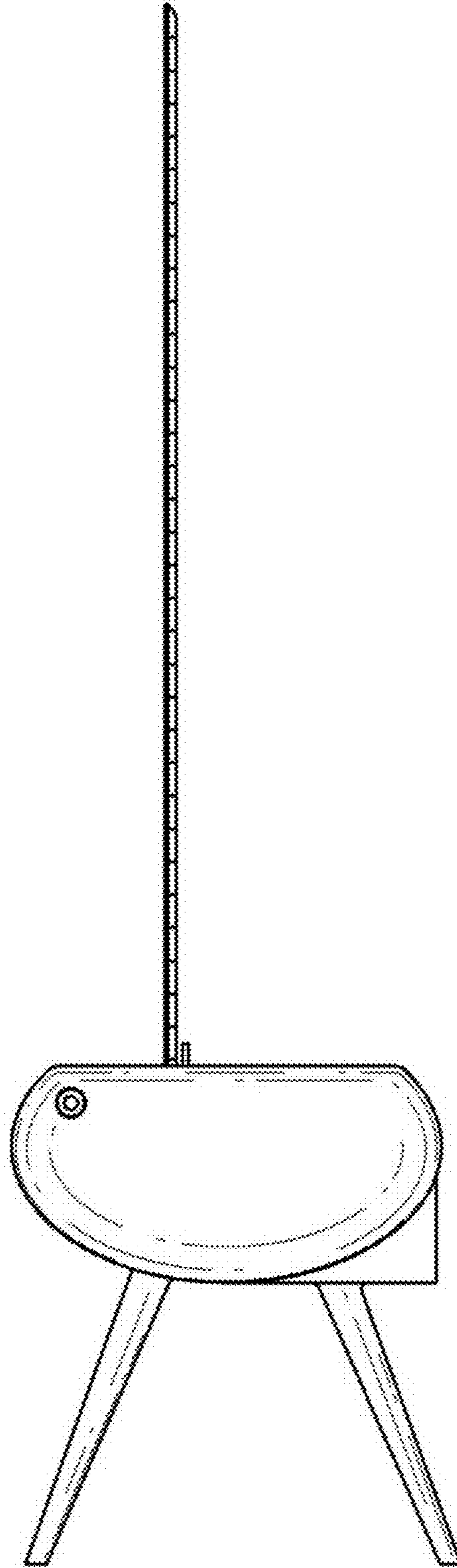
1.10



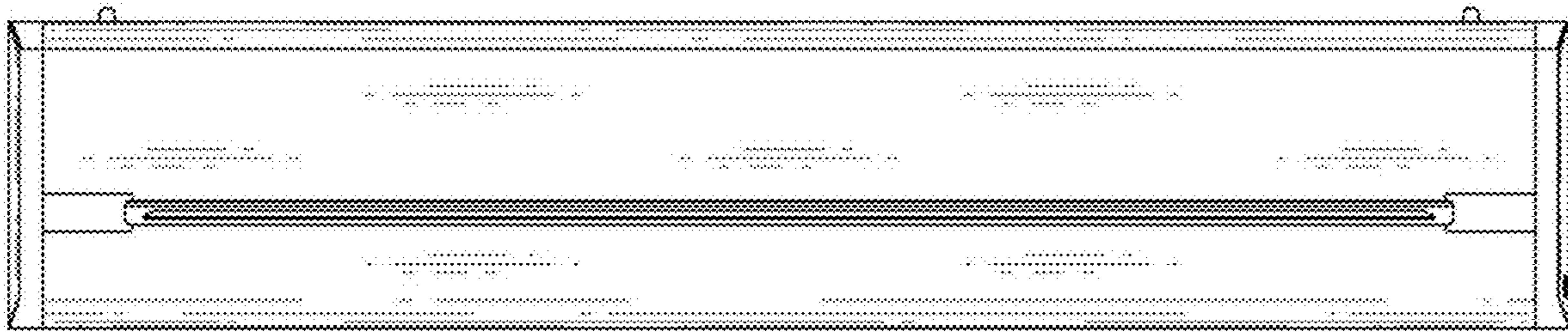
1.11



1.12



1.13



1.14

