



US00D802547S

(12) **United States Design Patent**
Kott et al.

(10) **Patent No.:** **US D802,547 S**

(45) **Date of Patent:** **** Nov. 14, 2017**

(54) **MAGNET**

(71) Applicant: **Ilten Products Ltd.**, Richmond (CA)

(72) Inventors: **Marla Charisse Kott**, Vancouver (CA);
Kristin Sarah MacMillan, West
Vancouver (CA); **Alexander Jeffrey
Feldman**, Vancouver (CA); **Robbie
Gordon Roberts**, Port Moody (CA)

(73) Assignee: **Ilten Products Ltd.**, Richmond (CA)

(**) Term: **15 Years**

(21) Appl. No.: **29/527,820**

(22) Filed: **May 21, 2015**

(30) **Foreign Application Priority Data**

Nov. 21, 2014 (EM) 002582643

(51) **LOC (10) Cl.** **13-99**

(52) **U.S. Cl.**
USPC **D13/183**

(58) **Field of Classification Search**
USPC D13/183, 133, 154, 184, 199; D8/16,
D8/373; D19/75, 96, 97, 100; 174/661,
174/659, 50, 660, 666, 153 G, 655, 58,
174/60, 64, 656, 665, 135, 152 G, 53, 57,
174/59, 650, 653, 657, 663, 667;
446/129, 132, 137, 138; 63/29.2, 900;
248/206.5, 467; 40/600, 621; 24/691,
24/619; D20/22, 41, 43
CPC G09F 7/04; G09F 2007/1852; Y10T 24/32;
A44D 2203/00; Y10S 63/90; Y10S
211/01; B43M 99/004
See application file for complete search history.

(56) **References Cited**

U.S. PATENT DOCUMENTS

2,448,611 A * 9/1948 Martin B42D 9/004
116/234
3,144,695 A * 8/1964 Budwig F16L 3/137
24/16 PB

D247,845 S * 5/1978 Palm, Jr. D8/352
4,198,772 A * 4/1980 Furutu G09F 3/00
292/318
D294,791 S * 3/1988 Loscalzo D6/323
5,369,899 A * 12/1994 Reeves A44C 3/001
24/303
D369,093 S 4/1996 Chiodaroli
D386,067 S * 11/1997 Hamerski D8/373
D415,467 S 10/1999 Starkey
6,360,464 B1 * 3/2002 Tate G09F 7/04
248/441.1
D463,731 S * 10/2002 Striebel D8/373
D481,684 S 11/2003 Bomar
6,671,986 B2 * 1/2004 Reeves A44C 3/001
40/1.6

(Continued)

OTHER PUBLICATIONS

Imprint Plus "solutions 2007 product sampler", p. 13, 2007.

Primary Examiner — Derrick Holland

Assistant Examiner — Jennifer O King

(74) *Attorney, Agent, or Firm* — Oyen Wiggs Green &
Mutala LLP

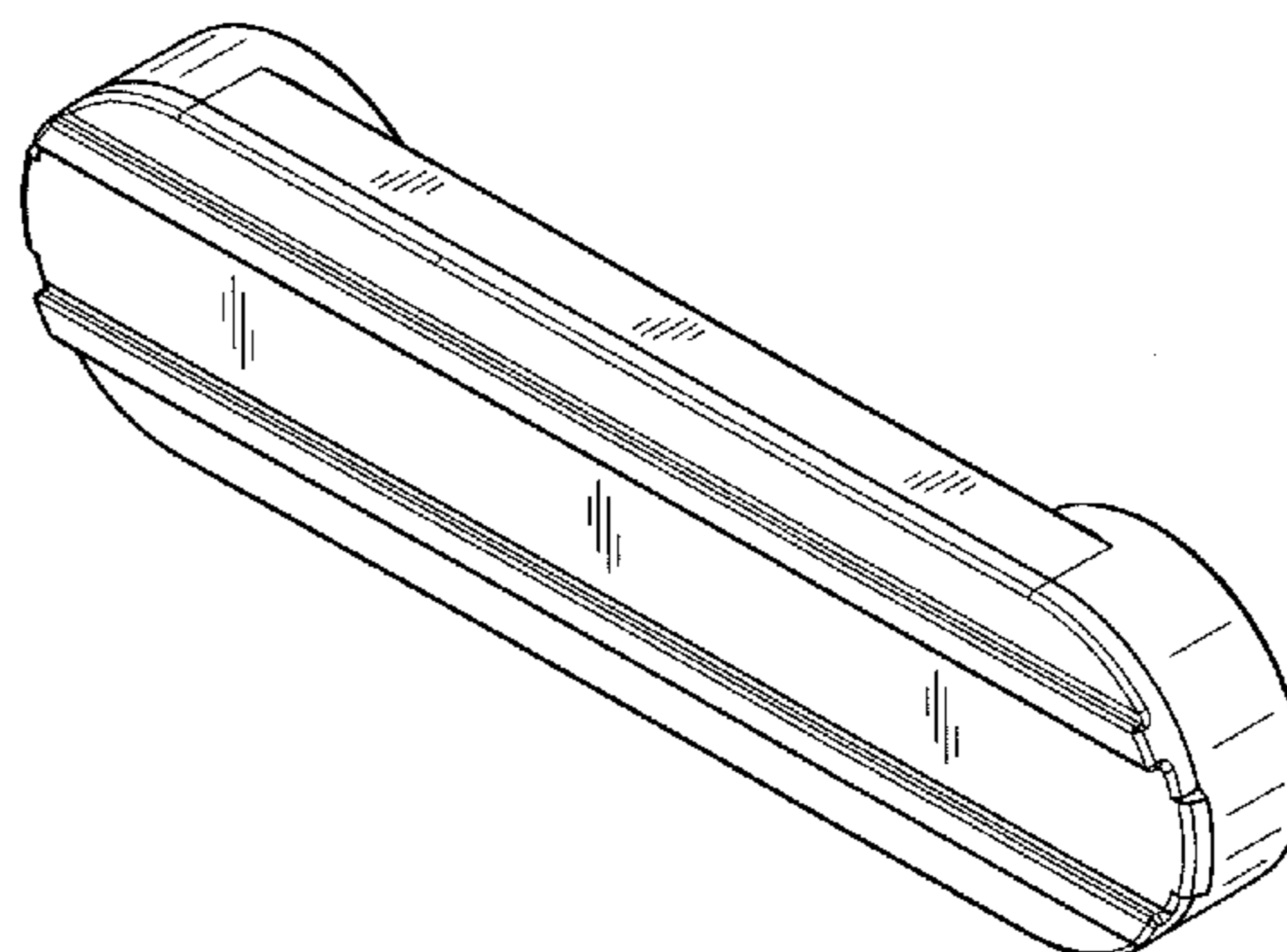
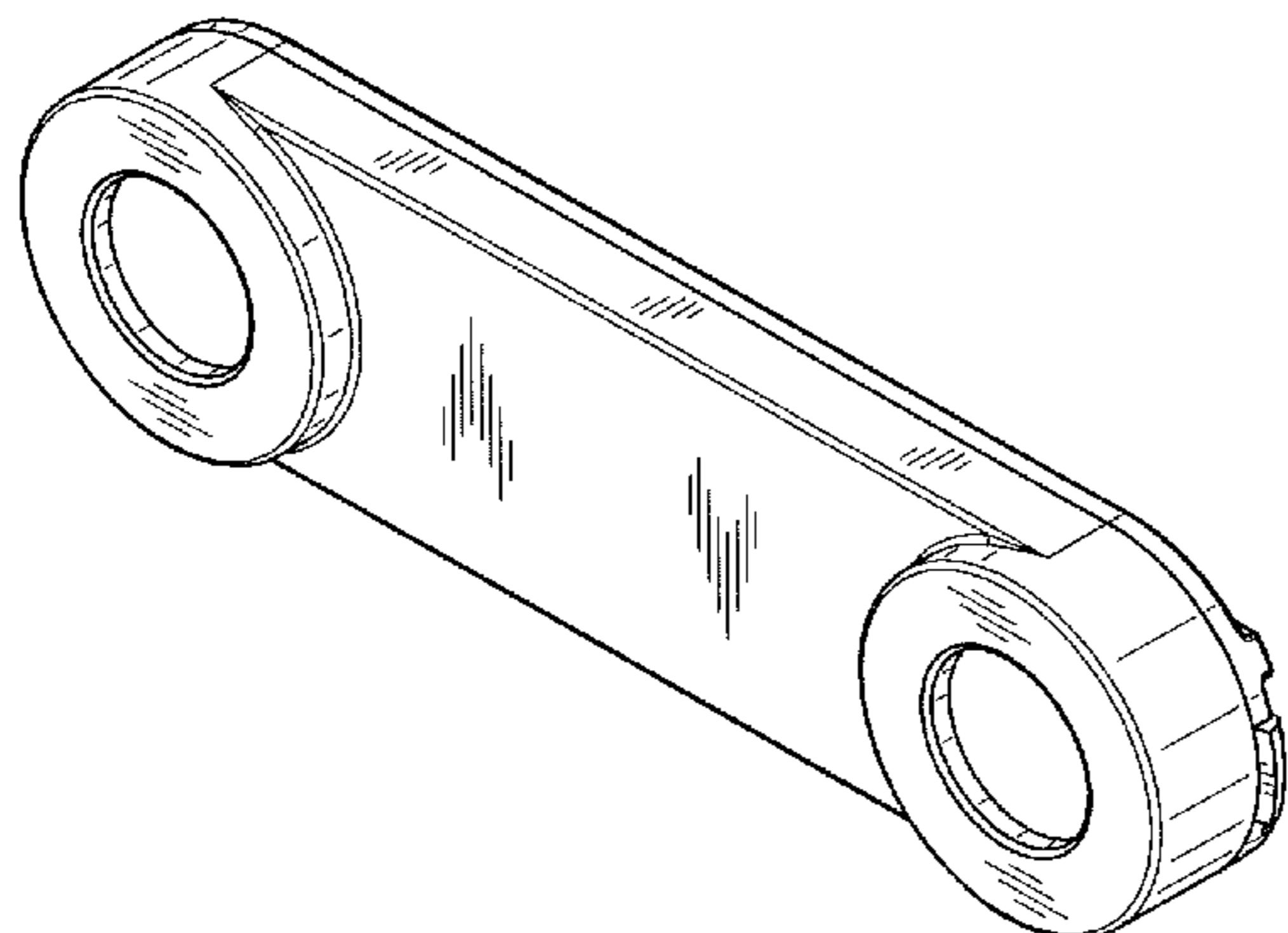
(57) **CLAIM**

The ornamental design for a magnet, as shown and described.

DESCRIPTION

FIG. 1 is a front perspective view of a magnet;
FIG. 2 is a rear perspective view thereof;
FIG. 3 is a front view thereof;
FIG. 4 is a rear view thereof;
FIG. 5 is a top view thereof;
FIG. 6 is a bottom view thereof;
FIG. 7 is a first side view thereof; and,
FIG. 8 is a second side view thereof.

1 Claim, 3 Drawing Sheets



(56)

References Cited

U.S. PATENT DOCUMENTS

6,726,252	B1	4/2004	Chaikel et al.	
D499,383	S	12/2004	Bomar	
D600,756	S *	9/2009	Fleming	D21/502
D633,051	S	2/2011	Nurmi et al.	
D650,004	S *	12/2011	Lawing	D17/20
D731,991	S *	6/2015	Berdut-Teruel	D13/183
D735,565	S *	8/2015	Serra	D8/373
D747,178	S	1/2016	Rothbaum et al.	
D757,184	S *	5/2016	Balanchi	D21/404
D767,379	S *	9/2016	Knight	D8/372
D777,841	S *	1/2017	Kott	D20/43
2002/0095751	A1 *	7/2002	Reiter	A41F 1/002 24/303
2005/0023420	A1 *	2/2005	Sadeh	B42F 1/006 248/206.5
2010/0116955	A1 *	5/2010	Hayes	A47K 10/04 248/206.5
2012/0067834	A1	3/2012	Gokey	
2014/0213139	A1 *	7/2014	Ferguson	A63H 33/046 446/92
2015/0371566	A1 *	12/2015	Kott	G09F 3/207 40/1.6
2017/0041702	A1 *	2/2017	Bae	H04R 1/028

* cited by examiner

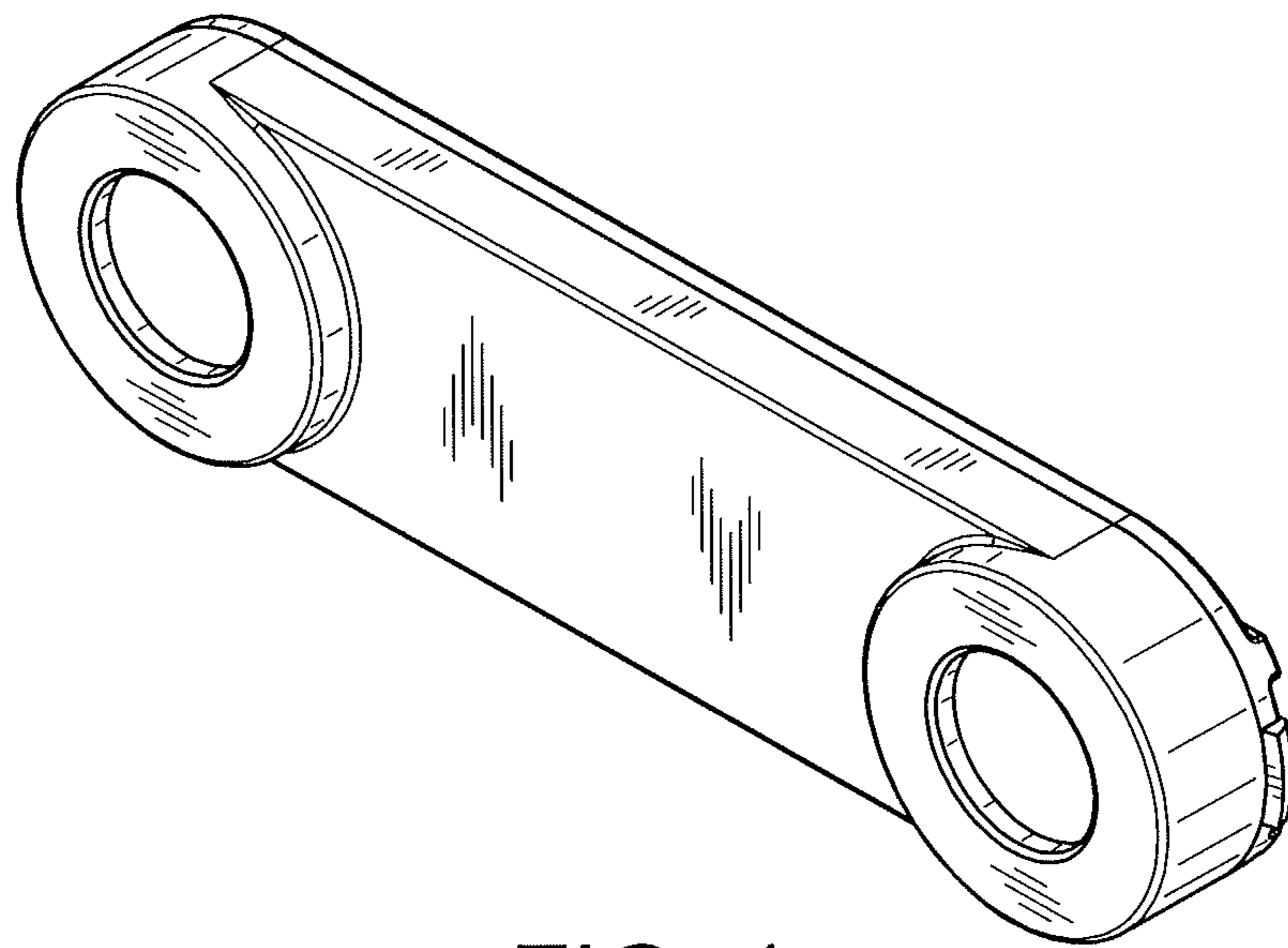


FIG. 1

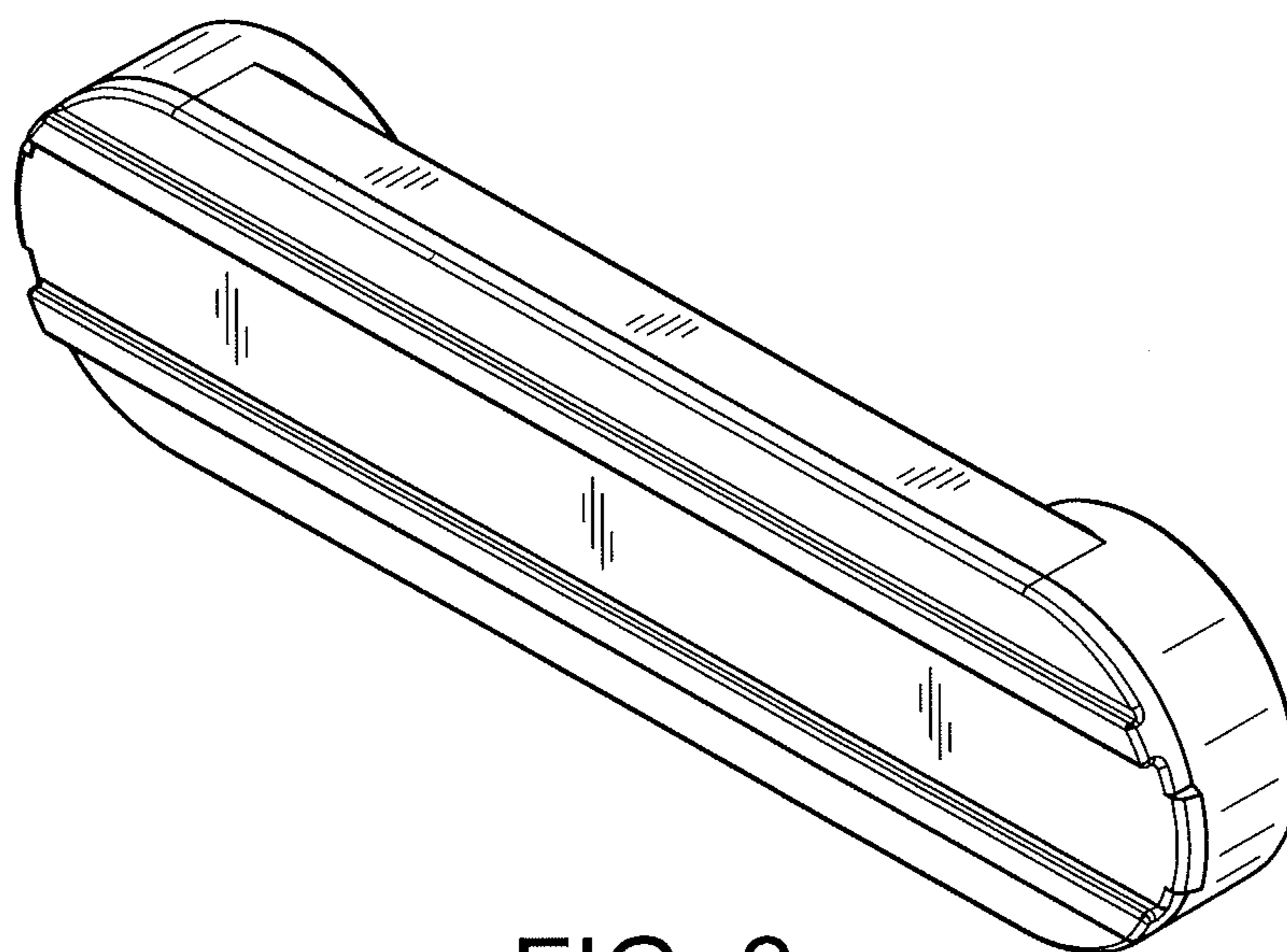


FIG. 2

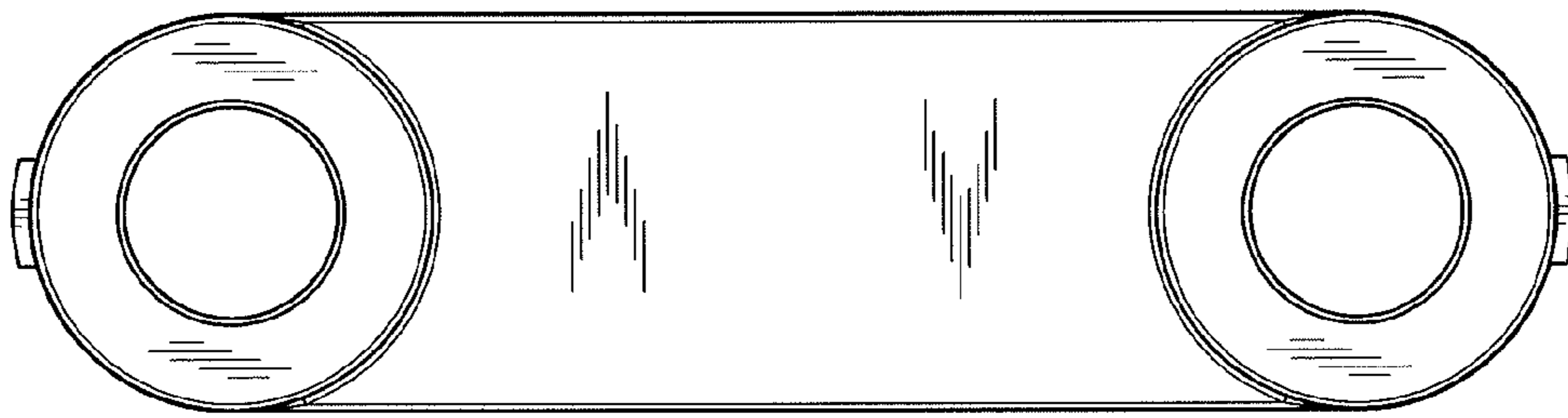


FIG. 3

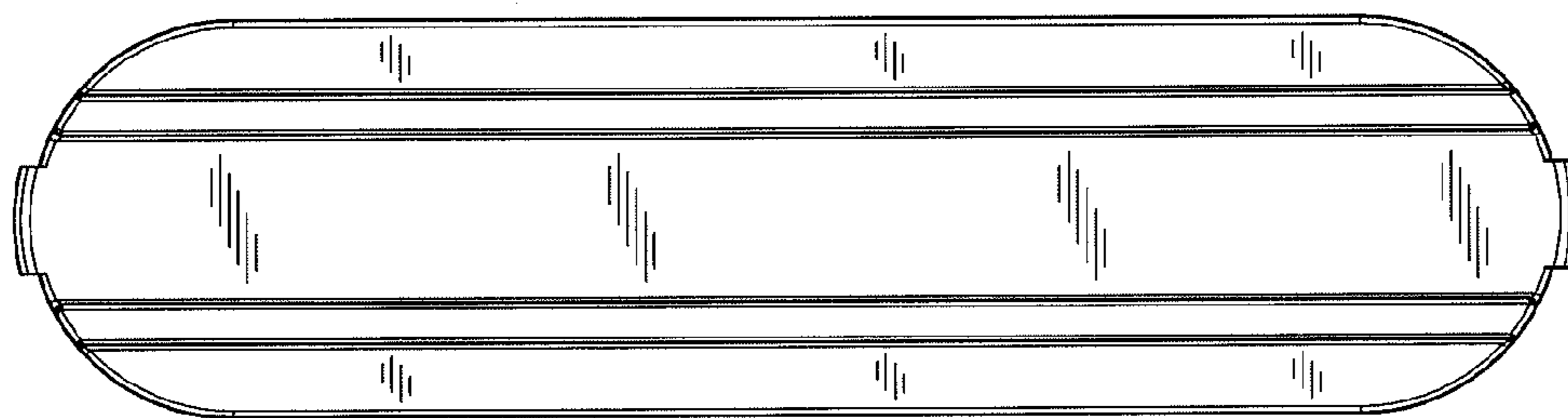


FIG. 4

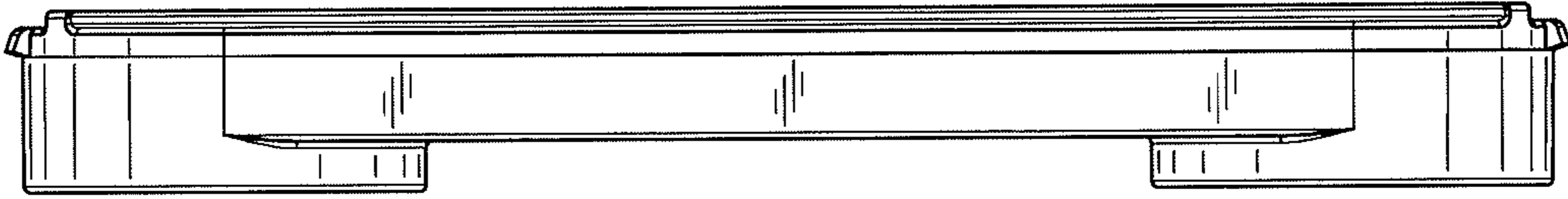


FIG. 5

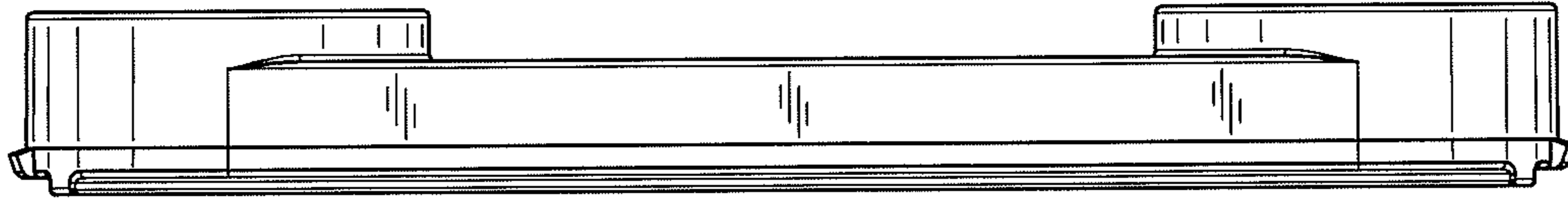


FIG. 6

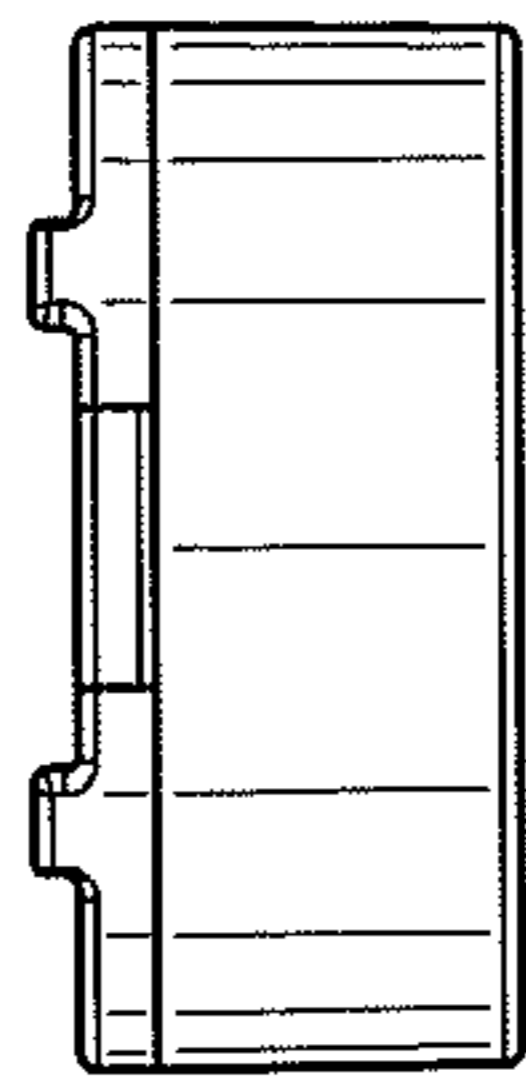


FIG. 7

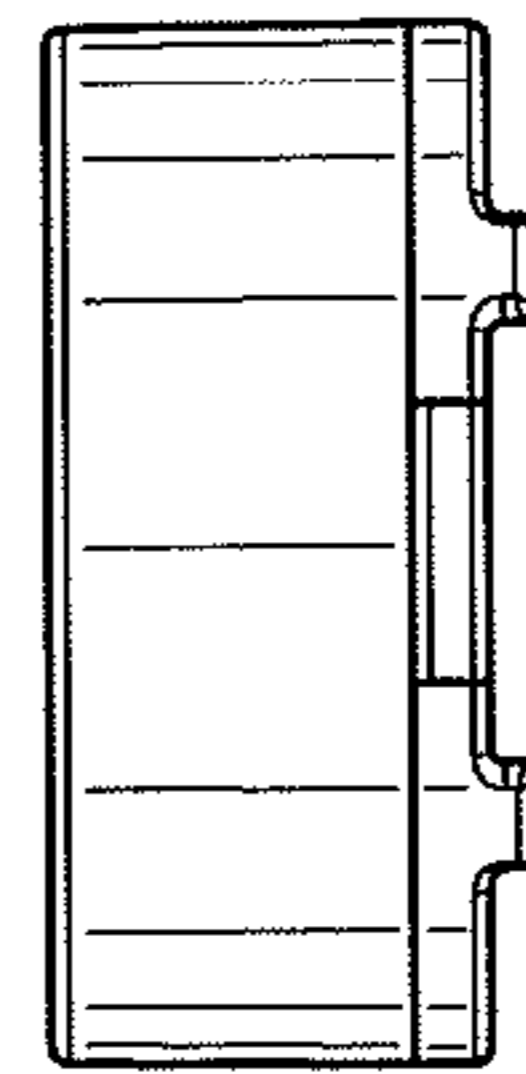


FIG. 8