



US00D802545S

(12) **United States Design Patent**
Tauchi et al.

(10) **Patent No.:** **US D802,545 S**
(45) **Date of Patent:** **** Nov. 14, 2017**

(54) **LOWER CHAMBER FOR A PLASMA PROCESSING APPARATUS**

(71) Applicant: **Hitachi High-Technologies Corporation**, Minato-ku, Tokyo (JP)

(72) Inventors: **Susumu Tauchi**, Tokyo (JP); **Takashi Uemura**, Tokyo (JP); **Kohei Sato**, Tokyo (JP)

(73) Assignee: **Hitachi High-Technologies Corporation**, Tokyo (JP)

(**) Term: **15 Years**

(21) Appl. No.: **29/544,071**

(22) Filed: **Oct. 30, 2015**

(30) **Foreign Application Priority Data**

Jun. 12, 2015 (JP) 2015-013038

(51) **LOC (10) Cl.** **13-03**

(52) **U.S. Cl.**
USPC **D13/182**

(58) **Field of Classification Search**
USPC D13/118, 123, 154, 156, 173, 177, 182, D13/184, 199; D8/70, 90, 396; D15/126, 138, 139
CPC B24B 5/00; B24B 7/00; B24B 7/22; B24B 37/04; B24B 37/28; B24B 37/32; B24B 1/00; B24B 29/00; C30B 23/02; H01L 21/304; H01L 21/67; H01L 21/68; H01L 21/00; H01L 21/32; Y10S 41/139; C23C 16/00; C23C 16/45; C25D 17/00; H01R 3/00

See application file for complete search history.

(56) **References Cited**

U.S. PATENT DOCUMENTS

4,319,432 A * 3/1982 Day B24B 37/32 451/269
D404,369 S * 1/1999 Kawachi D13/182

6,068,548 A * 5/2000 Vote B24B 37/32 451/287
6,264,540 B1 * 7/2001 Fruitman B24B 37/32 451/288
D658,691 S * 5/2012 Suzuki D15/138
D693,782 S * 11/2013 Mori D13/182
D703,160 S * 4/2014 Tanimura D13/182
D716,240 S * 10/2014 Lau D13/182
D722,966 S * 2/2015 Smith D13/129
D734,377 S * 7/2015 Hirakida D15/138
D741,823 S * 10/2015 Tateno D13/182
D770,992 S * 11/2016 Tauchi D13/182

(Continued)

Primary Examiner — Thomas Johannes

Assistant Examiner — Shawn T Gingrich

(74) *Attorney, Agent, or Firm* — Crowell & Moring LLP

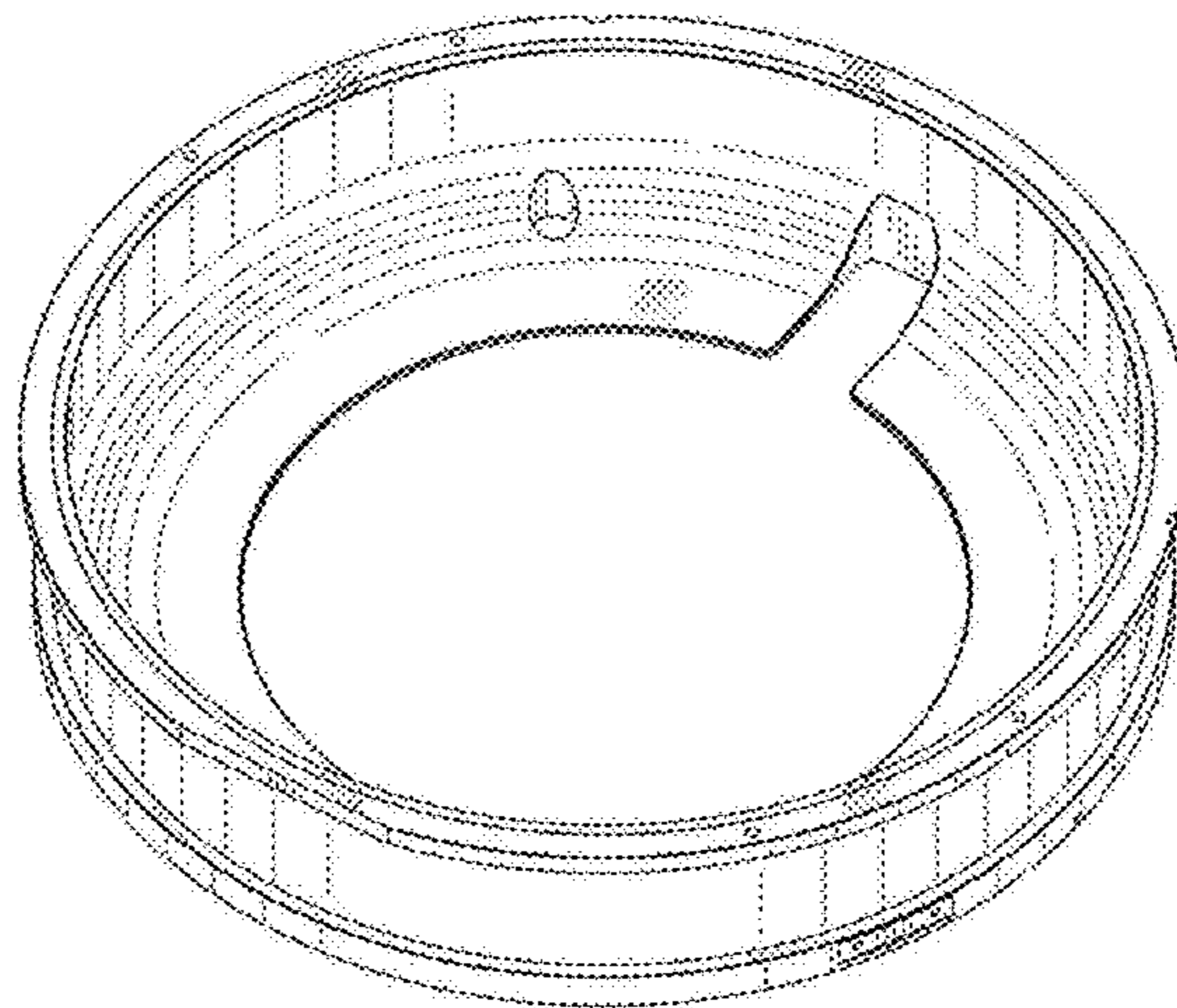
(57) **CLAIM**

The ornamental design for a lower chamber for a plasma processing apparatus, as shown and described.

DESCRIPTION

FIG. 1 is a front, top and right side perspective view of a lower chamber for a plasma processing apparatus according to the design;
FIG. 2 is a front elevational view thereof;
FIG. 3 is a rear elevational view thereof;
FIG. 4 is a left side elevational view thereof;
FIG. 5 is a right side elevational view thereof;
FIG. 6 is a top plan view thereof;
FIG. 7 is a bottom plan view thereof;
FIG. 8 is a cross-sectional view taken along line 8-8 of FIG. 6;
FIG. 9 is a cross-sectional view taken along line 9-9 of FIG. 6; and,
FIG. 10 is a partially enlarged view taken along line 10-10 of FIG. 8.

1 Claim, 6 Drawing Sheets



(56)

References Cited

U.S. PATENT DOCUMENTS

| | | | |
|-------------------|---------|--------------|------------|
| D775,710 S * | 1/2017 | Kim | D22/137 |
| 2004/0077167 A1 * | 4/2004 | Willis | B24B 37/32 |
| | | | 438/689 |
| 2005/0191947 A1 * | 9/2005 | Chen | B24B 37/32 |
| | | | 451/41 |
| 2007/0224864 A1 * | 9/2007 | Burns | B24B 37/32 |
| | | | 439/164 |
| 2012/0263569 A1 * | 10/2012 | Priddy | C30B 23/02 |
| | | | 414/800 |

* cited by examiner

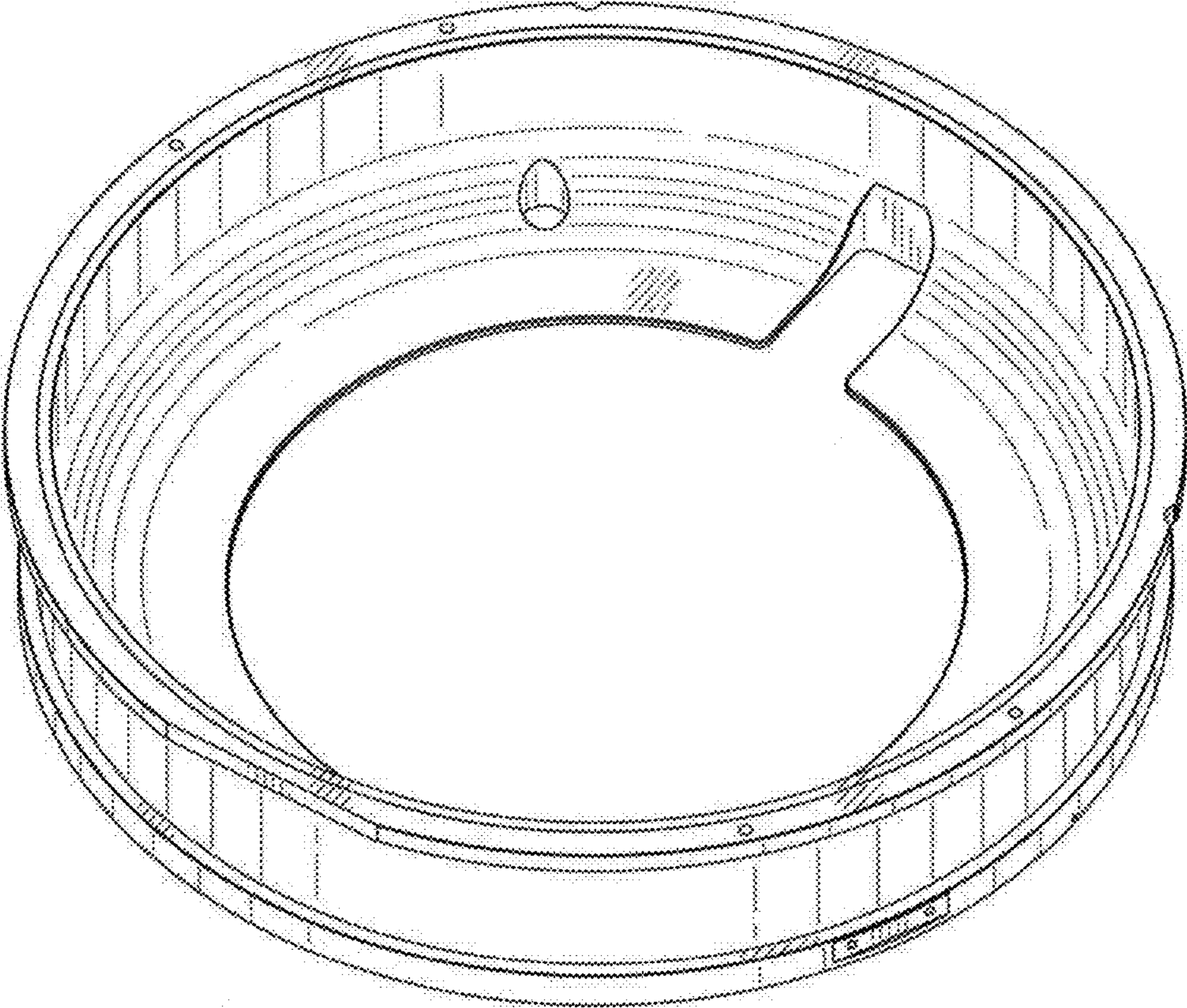


FIG. 1



FIG. 2

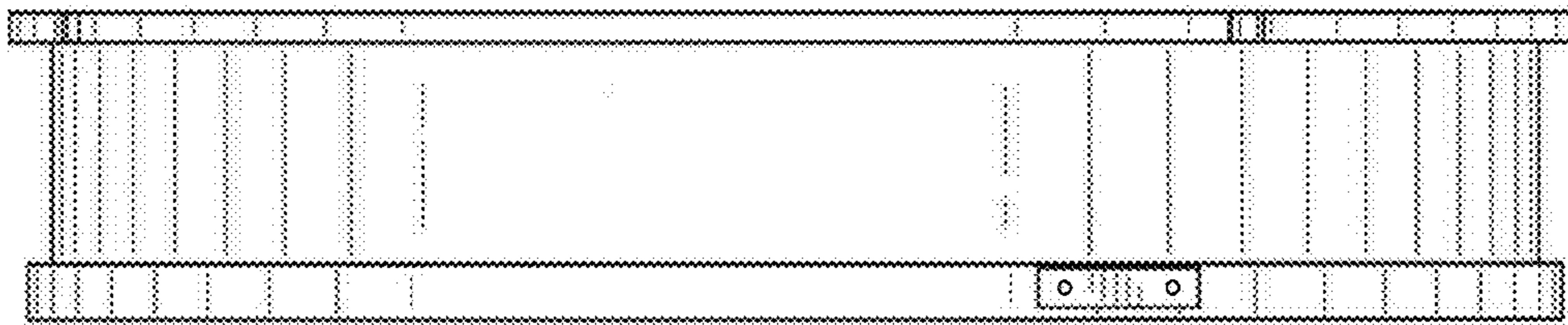


FIG. 3

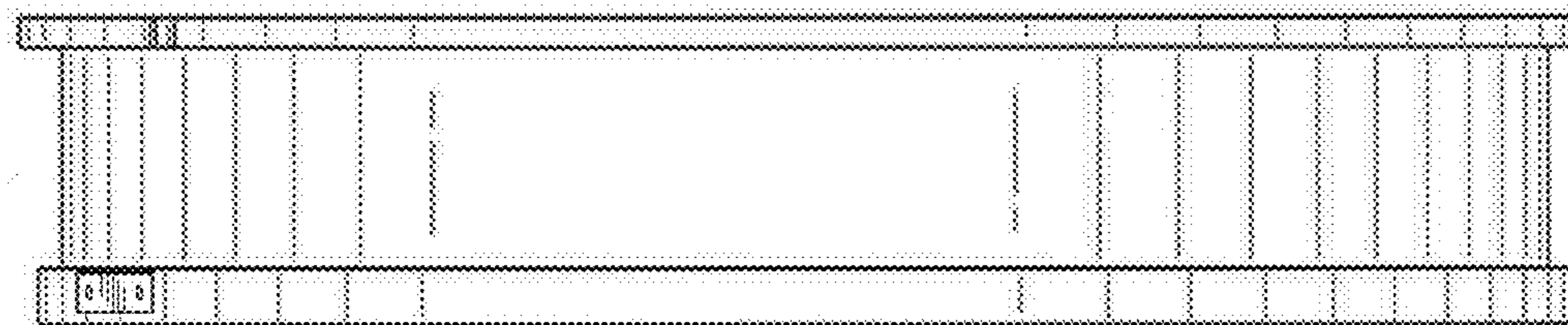


FIG. 4

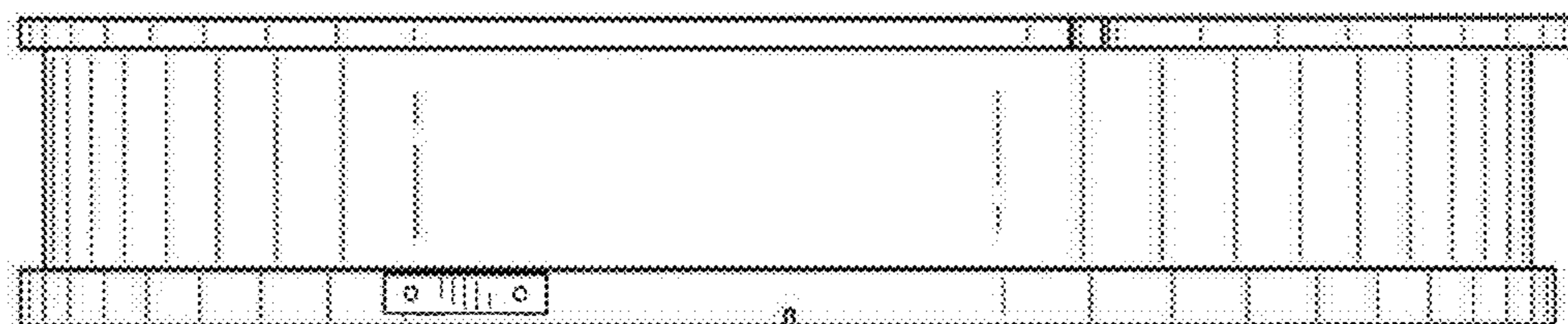


FIG. 5

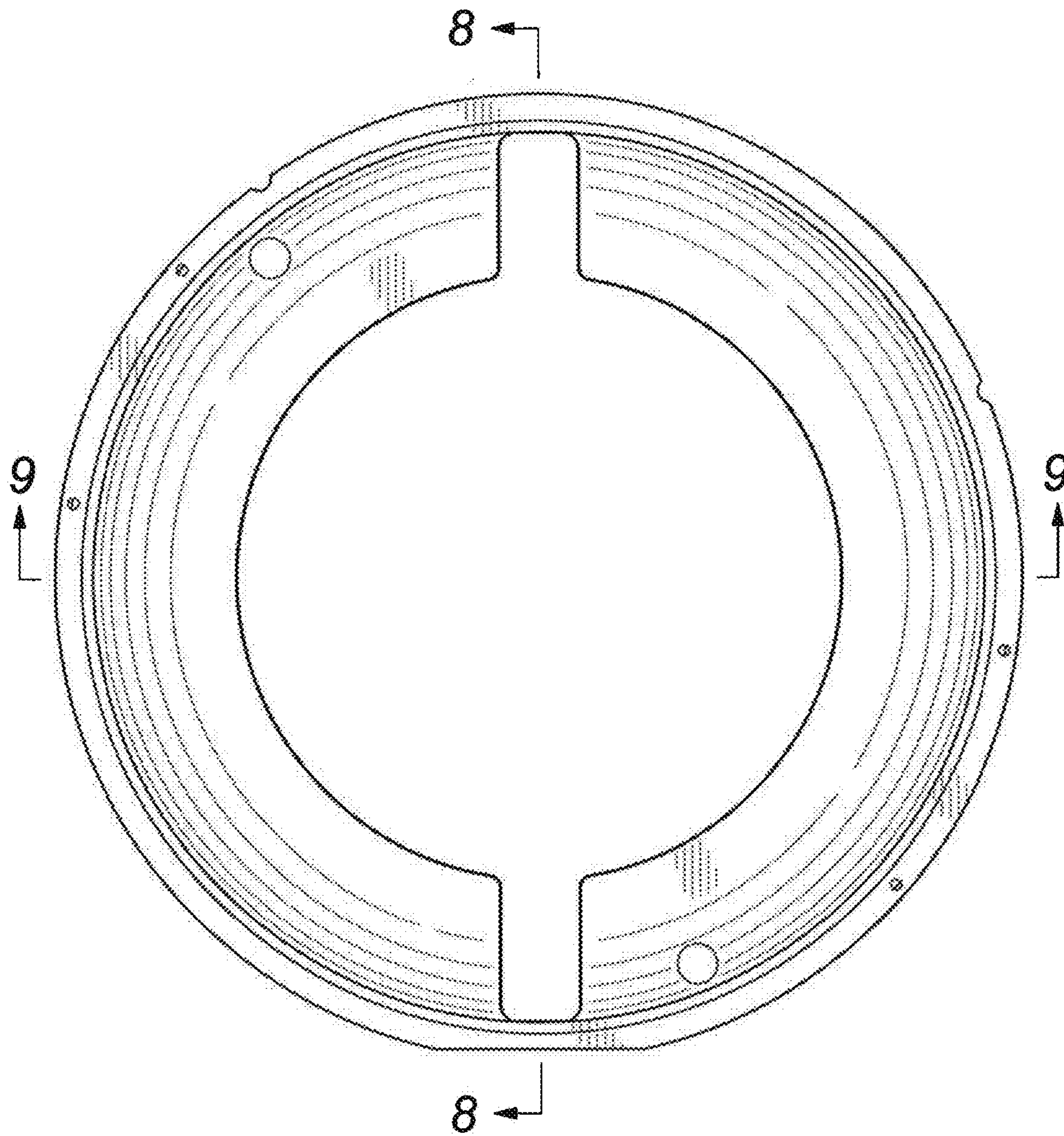


FIG. 6

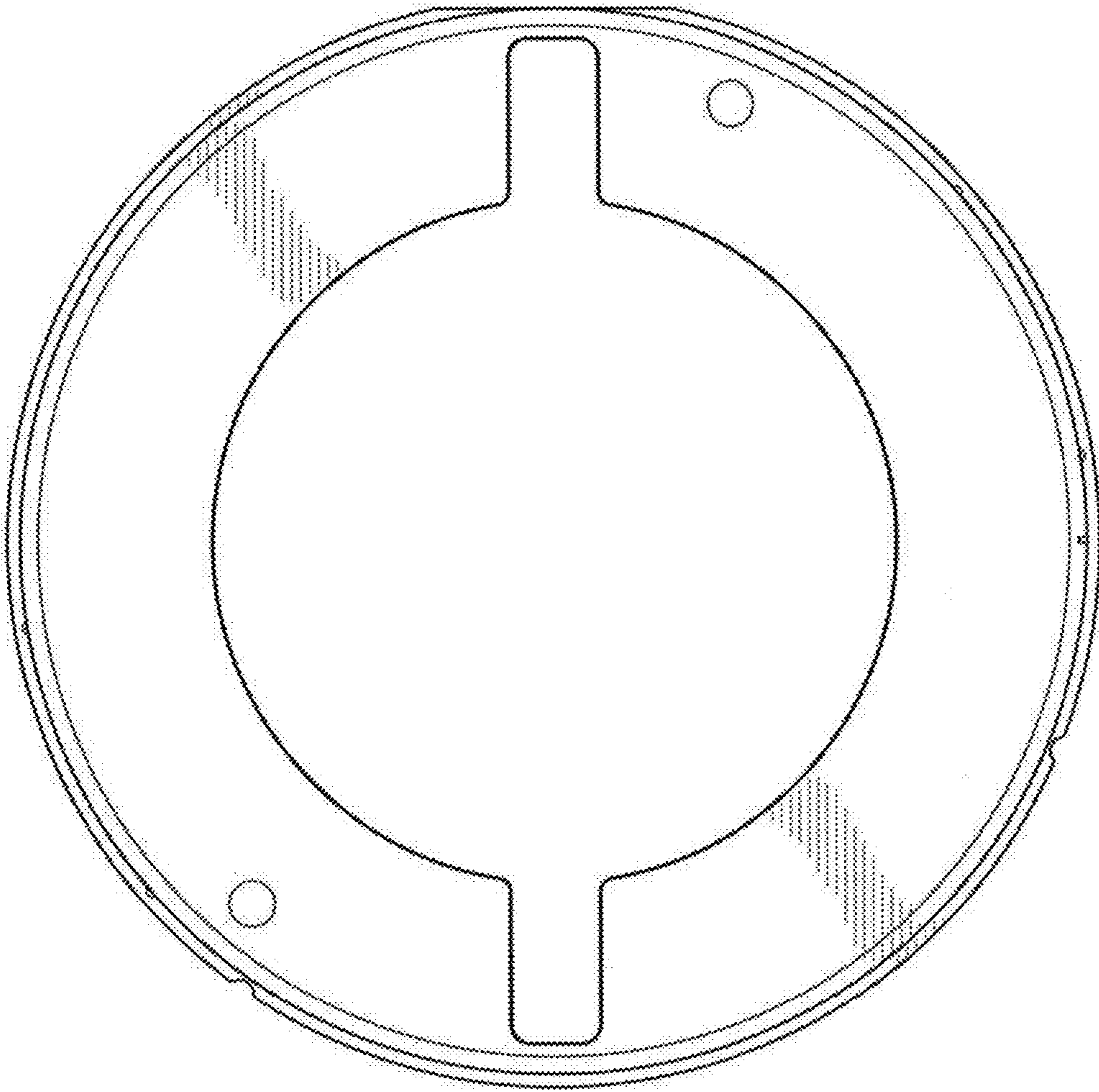


FIG. 7

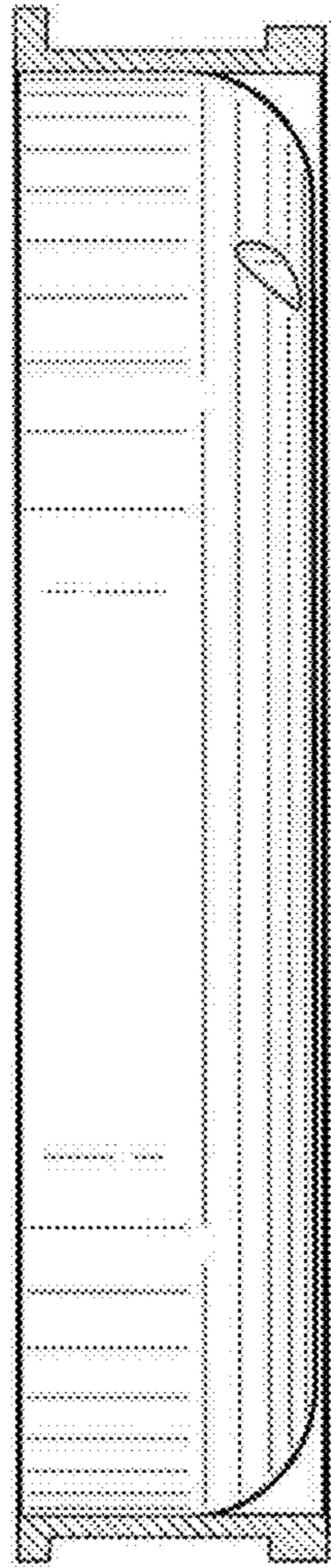


FIG. 8

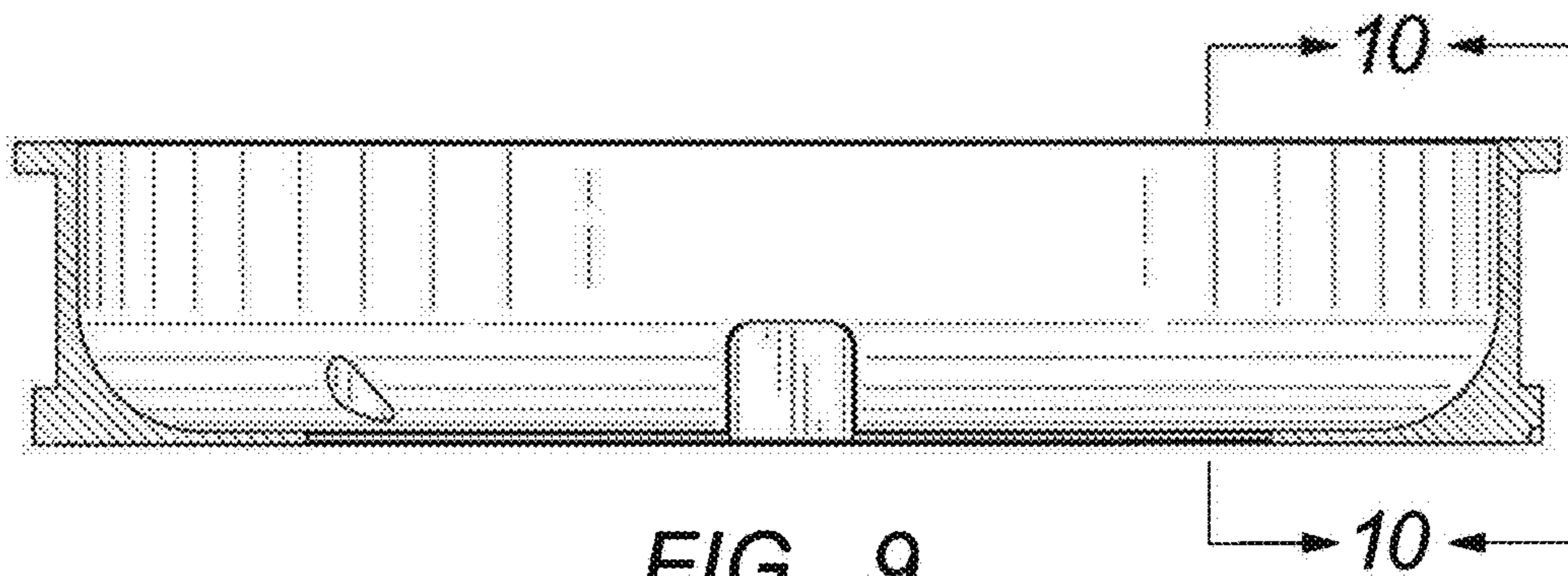


FIG. 9

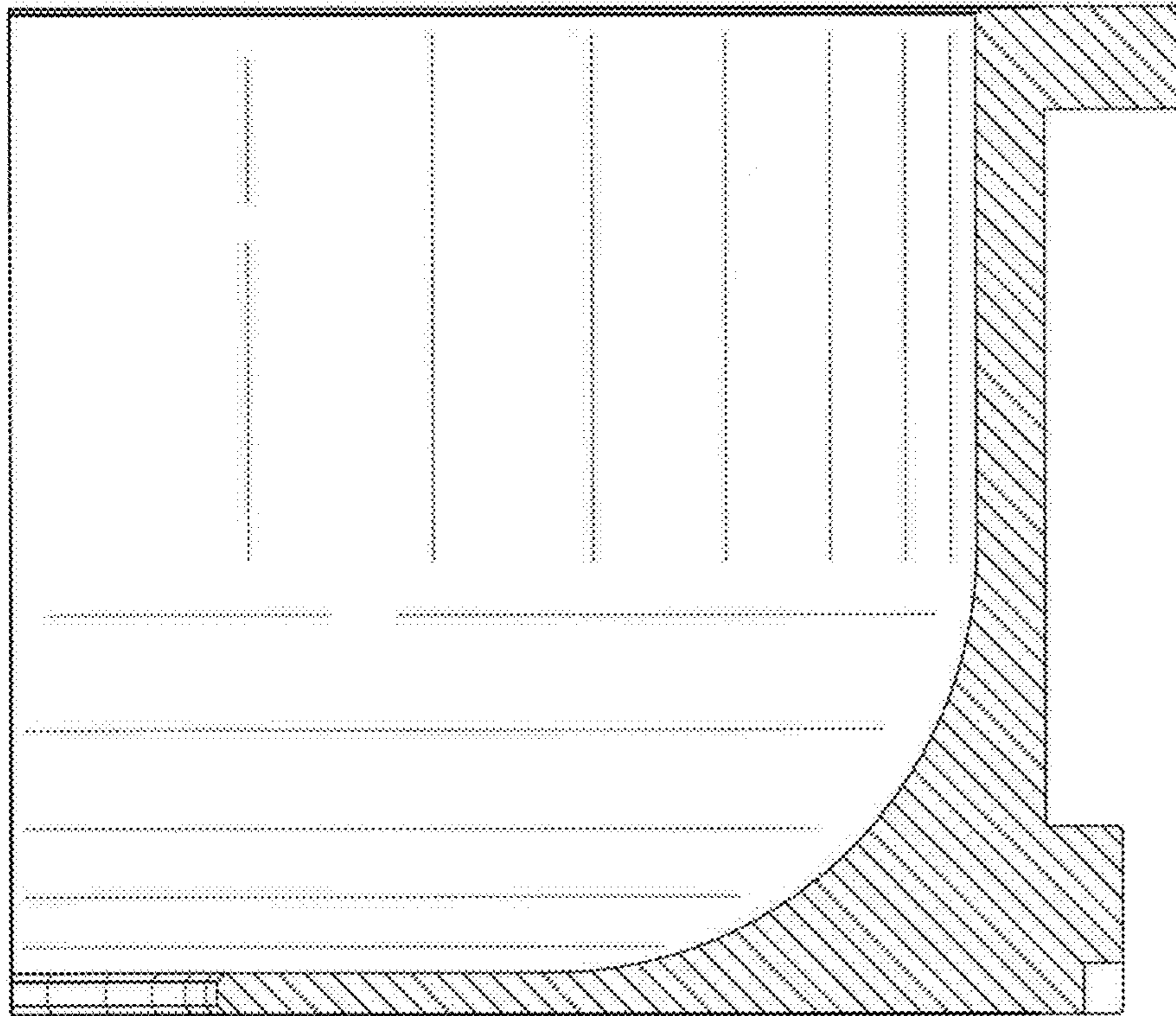


FIG. 10