



US00D802540S

(12) **United States Design Patent**
Kurokawa et al.

(10) **Patent No.:** **US D802,540 S**

(45) **Date of Patent:** **** Nov. 14, 2017**

(54) **OPERATION PANEL FOR CONTROLLING MACHINE TOOLS**

(71) Applicant: **FANUC CORPORATION**, Yamanashi (JP)

(72) Inventors: **Yuuki Kurokawa**, Yamanashi (JP);
Yuuichi Honda, Yamanashi (JP)

(73) Assignee: **Fanuc Corporation**, Yamanashi (JP)

(**) Term: **15 Years**

(21) Appl. No.: **29/580,997**

(22) Filed: **Oct. 14, 2016**

(30) **Foreign Application Priority Data**

Apr. 15, 2016 (JP) 2016-008424

(51) **LOC (10) Cl.** **13-03**

(52) **U.S. Cl.**
USPC **D13/164**

(58) **Field of Classification Search**
USPC D13/162, 162.1, 164; D10/49, 50
CPC G05B 19/0425; G05B 19/0426;
G05B 19/05; G05B 19/409;
G05B 19/4147; G06F 3/0484;
G06F 3/0489; G06F 1/1601

See application file for complete search history.

(56) **References Cited**

U.S. PATENT DOCUMENTS

D247,896 S *	5/1978	Cannon	D13/164
D256,230 S *	8/1980	Beale	D13/164
D278,807 S *	5/1985	Perna	D13/164
D294,566 S *	3/1988	Boytor	D13/164
D297,652 S *	9/1988	Columbus	D13/164
D299,125 S *	12/1988	Anderson	D13/164
4,916,639 A *	4/1990	Yoneda	G05B 19/409 700/180

5,015,829 A *	5/1991	Eilert	H01H 13/702 200/308
D465,216 S *	11/2002	Zdinak	D13/164
D573,108 S *	7/2008	Pan	D13/164
7,499,029 B2 *	3/2009	Hara	G06F 1/1616 345/168
D642,542 S *	8/2011	Berning	D13/164
D712,362 S *	9/2014	Rodriguez	D13/164
9,513,862 B2 *	12/2016	Sakai	G06F 3/041
D776,627 S *	1/2017	Shimohama	D13/164
2003/0040884 A1 *	2/2003	Walther	G05B 19/409 702/150
2016/0048121 A1 *	2/2016	Shinohara	G05B 19/409 700/179

FOREIGN PATENT DOCUMENTS

JP	D1542422	1/2016
JP	D1542423	1/2016
JP	D1542424	1/2016

* cited by examiner

Primary Examiner — Selina Sikder

(74) *Attorney, Agent, or Firm* — RatnerPrestia

(57) **CLAIM**

The ornamental design for an operation panel for controlling machine tools, as shown and described.

DESCRIPTION

FIG. 1 is a perspective view of an operation panel for controlling machine tools showing our new design; FIG. 2 is a front view thereof; FIG. 3 is a left side elevational view thereof; FIG. 4 is a right side elevational view thereof; FIG. 5 is a top plan view thereof; FIG. 6 is a bottom plan view thereof; and, FIG. 7 is a rear view thereof.

The broken lines shown in the drawings are for illustrative purposes only and form no part of the claimed design.

1 Claim, 4 Drawing Sheets

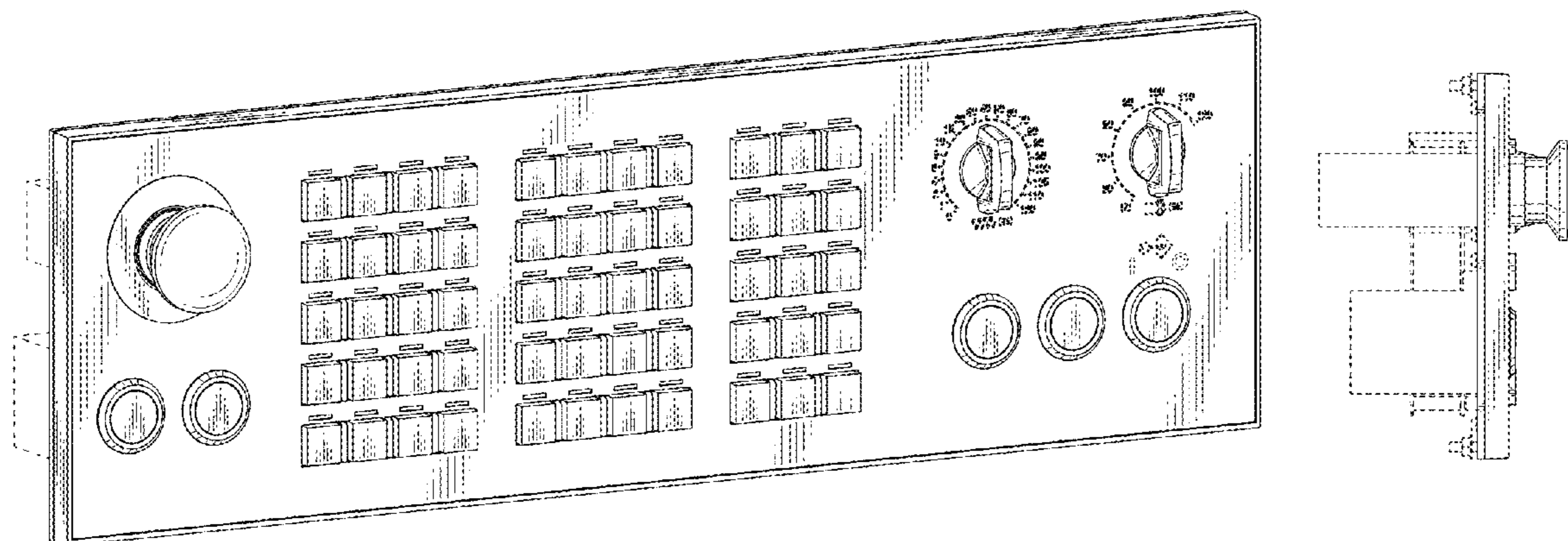


FIG. 1

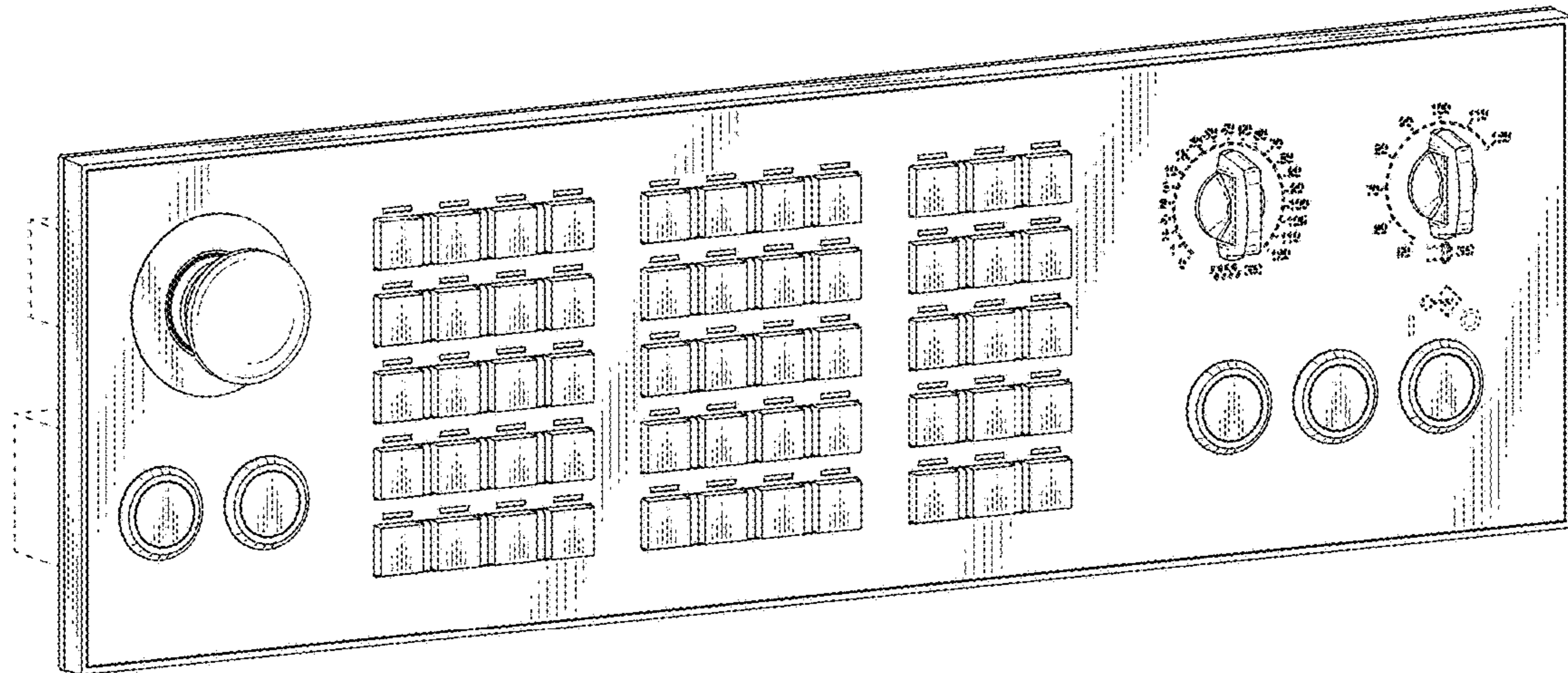


FIG. 2

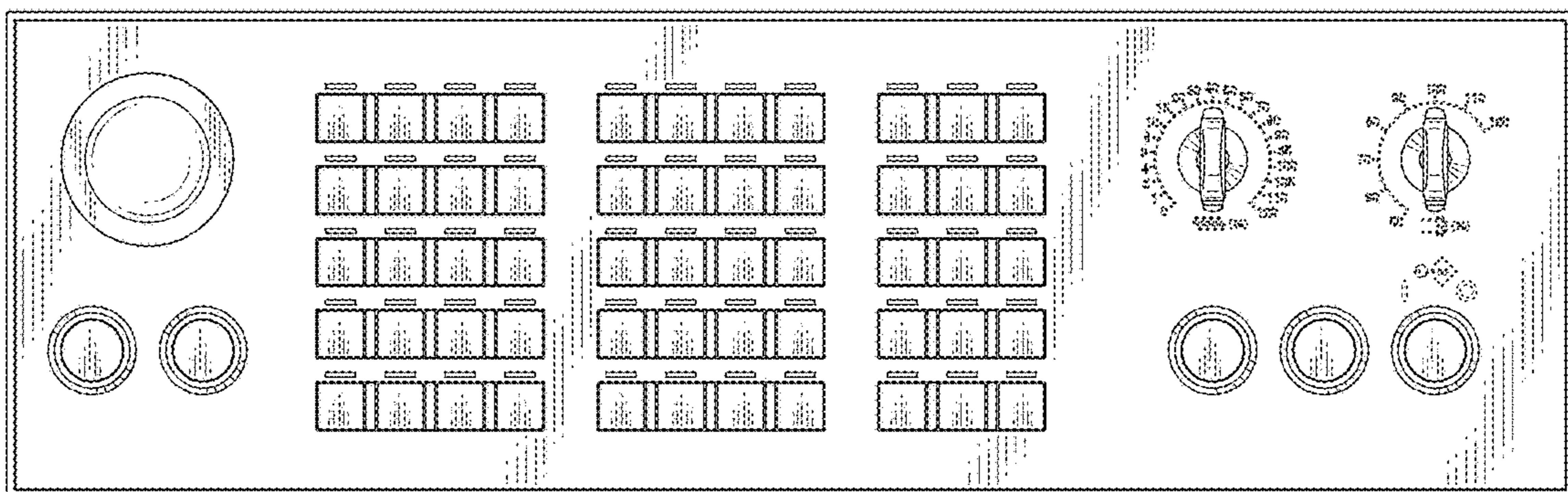


FIG. 3

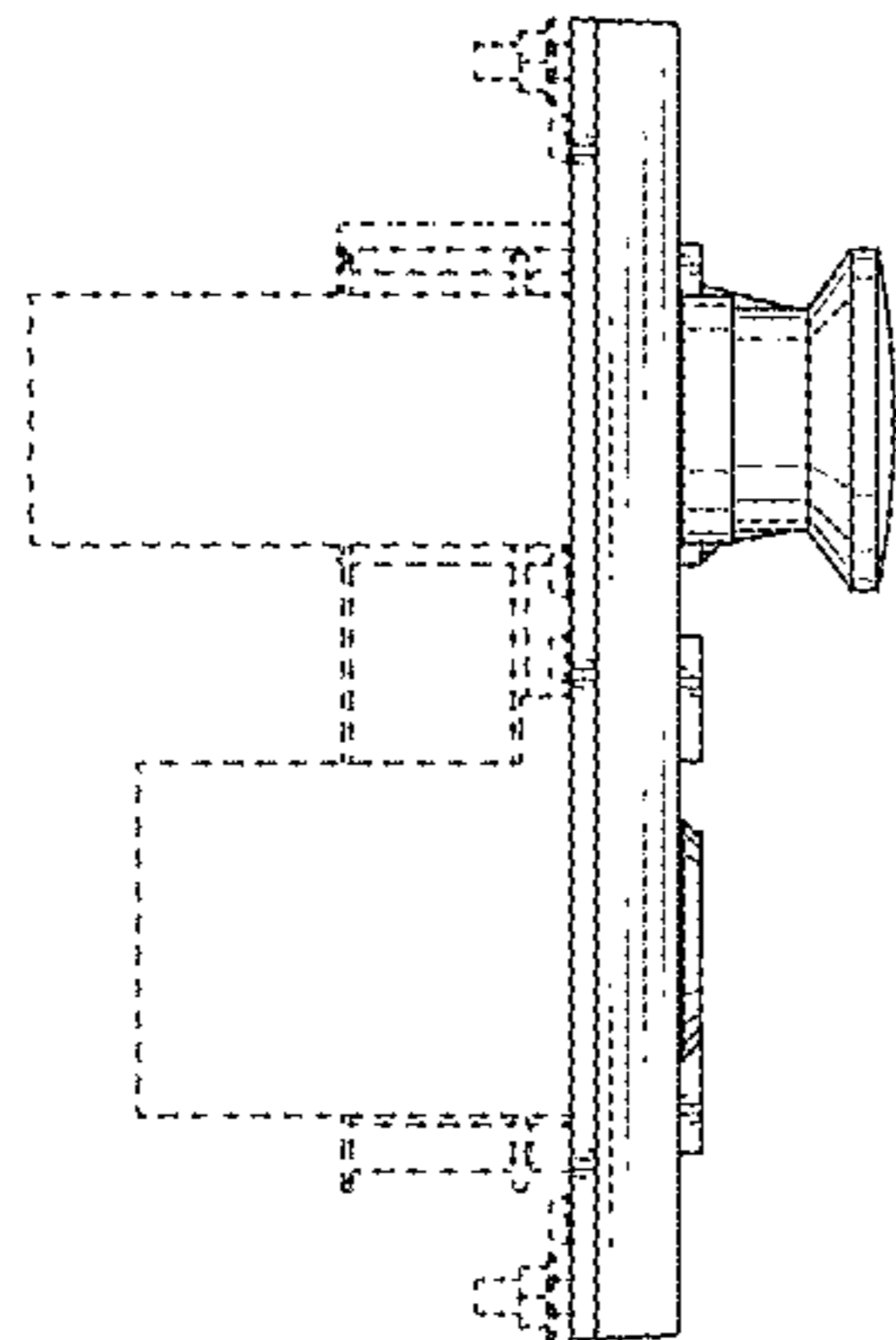


FIG. 4

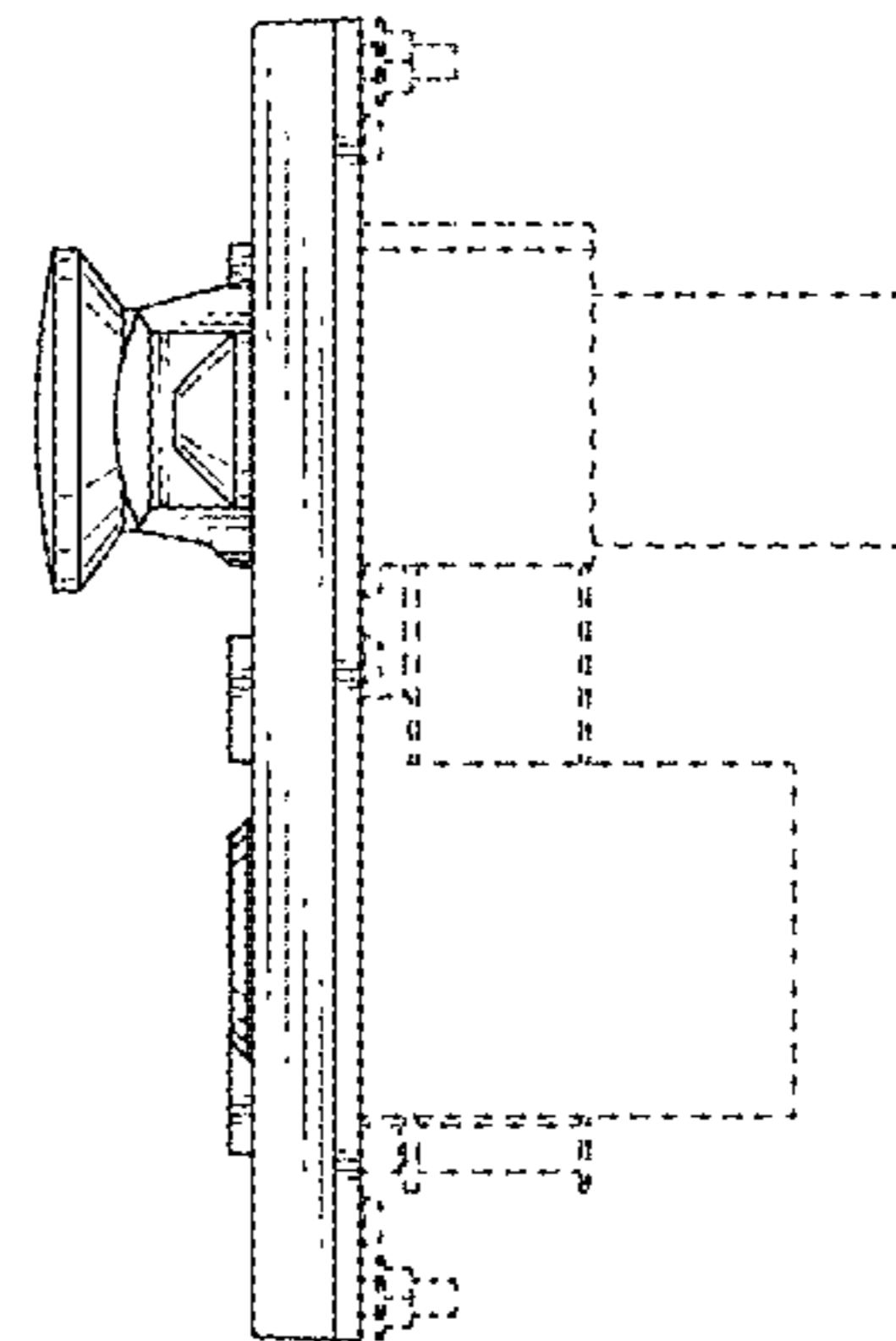


FIG. 5

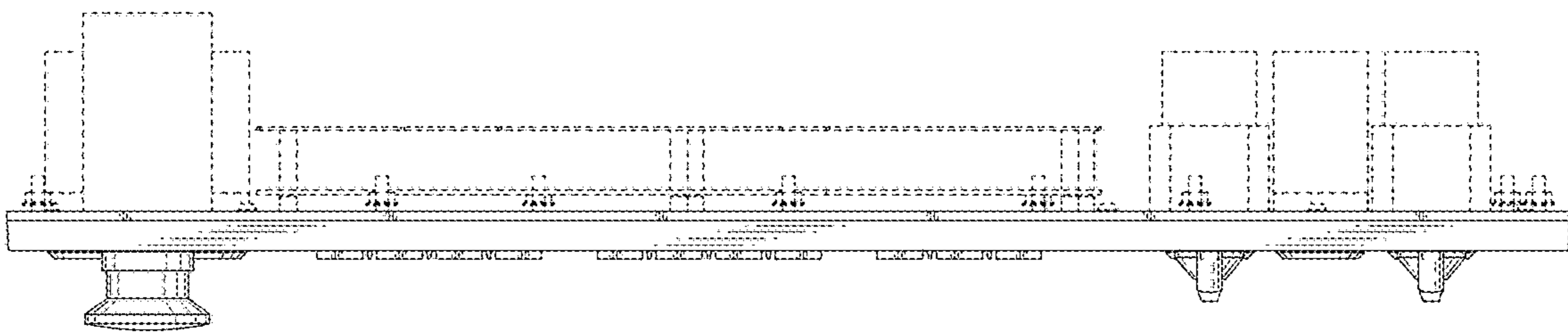


FIG. 6

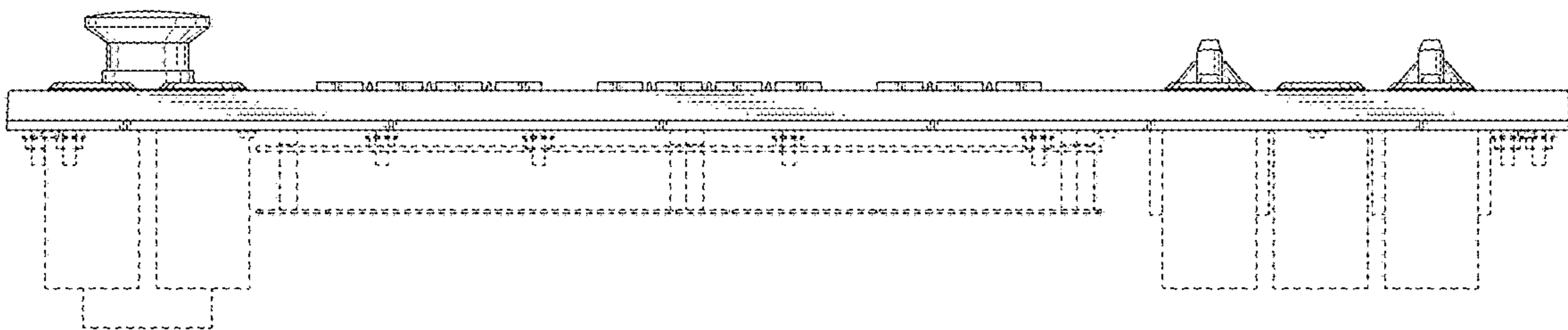


FIG. 7

