



US00D802539S

(12) **United States Design Patent**  
**Shioda et al.**

(10) **Patent No.:** **US D802,539 S**

(45) **Date of Patent:** **\*\* Nov. 14, 2017**

(54) **ELECTRICAL CONNECTOR**

(71) Applicant: **Japan Aviation Electronics Industry, Limited**, Tokyo (JP)

(72) Inventors: **Tatsuya Shioda**, Tokyo (JP); **Hiroyasu Koizumi**, Tokyo (JP); **Takeshi Shindo**, Tokyo (JP)

(73) Assignee: **JAPAN AVIATION ELECTRONICS INDUSTRY, LIMITED**, Tokyo (JP)

(\*\*) Term: **15 Years**

(21) Appl. No.: **29/565,312**

(22) Filed: **May 19, 2016**

(30) **Foreign Application Priority Data**

Nov. 30, 2015 (JP) ..... 2015-026702

(51) **LOC (10) Cl.** ..... **13-03**

(52) **U.S. Cl.**  
USPC ..... **D13/147**

(58) **Field of Classification Search**  
USPC ..... D13/133, 146, 147, 154, 184, 199;  
D14/433, 434, 435, 435.1, 436, 438  
CPC .... H01R 13/58; H01R 13/5845; H01R 13/02;  
H01R 13/03; H01R 13/405; H01R  
13/648; H01R 13/506; H01R 13/516;  
H01R 12/57; H01R 13/6585; H01R  
24/60; H01R 2107/00; B29C 70/84;  
B29C 70/88; B29C 70/885

See application file for complete search history.

(56) **References Cited**

U.S. PATENT DOCUMENTS

D576,555 S *	9/2008	Bruseloff	.....	D13/147
D578,070 S *	10/2008	Shen	.....	D13/147
D587,208 S *	2/2009	Tsai	.....	D13/147
D698,733 S *	2/2014	Yokoyama	.....	D13/147

\* cited by examiner

*Primary Examiner* — Daniel Bui

(74) *Attorney, Agent, or Firm* — Manabu Kanesaka

(57) **CLAIM**

The ornamental design for an electrical connector, as shown and described.

**DESCRIPTION**

FIG. 1 is a front elevational view of an electrical connector showing our new design;

FIG. 2 is a rear elevational view thereof;

FIG. 3 is a right side elevational view thereof;

FIG. 4 is a left side elevational view thereof;

FIG. 5 is a top plan view thereof;

FIG. 6 is a bottom plan view thereof;

FIG. 7 is a perspective view showing a front, top and right side thereof;

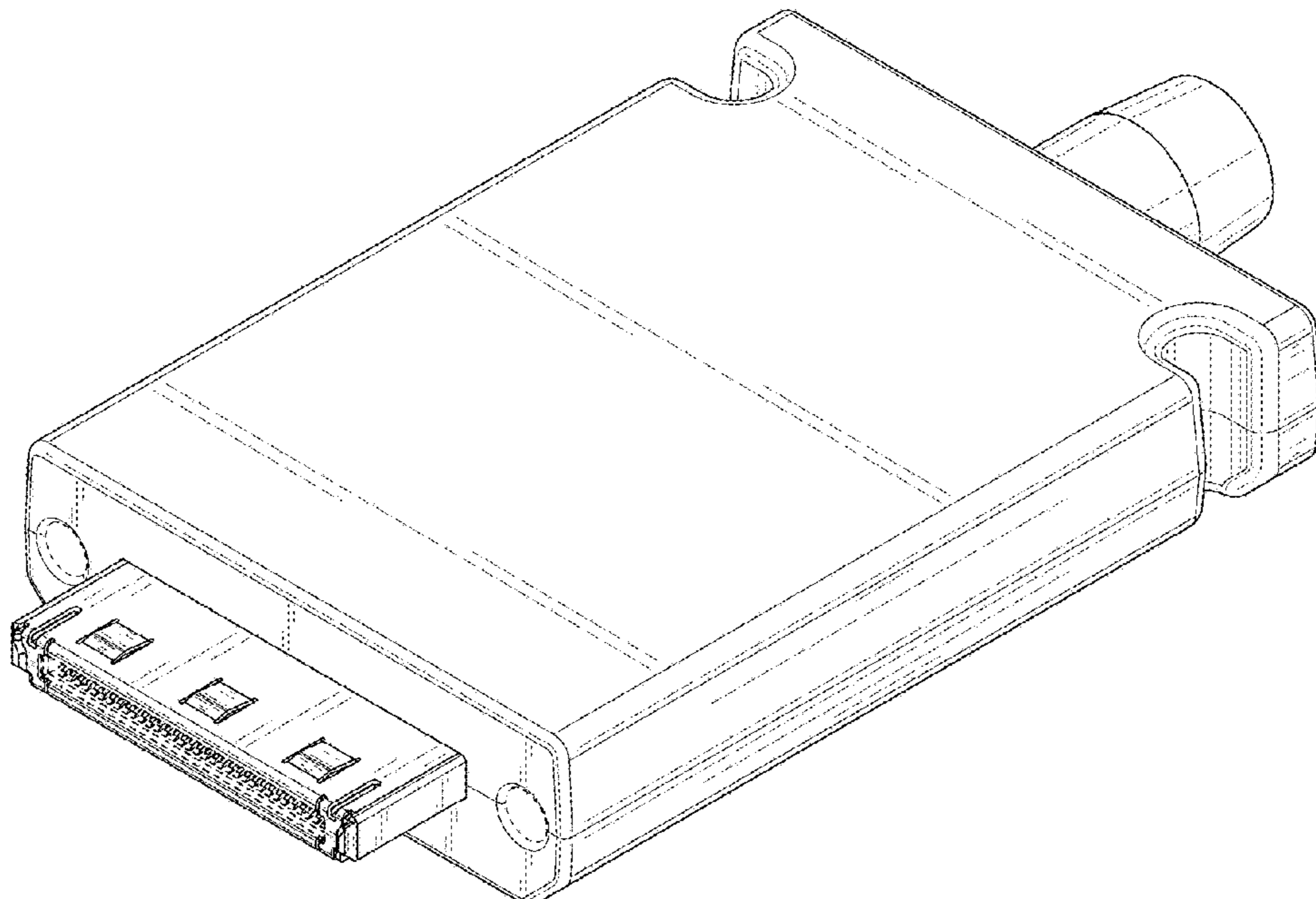
FIG. 8 is a perspective view showing a rear, bottom and left side thereof;

FIG. 9 is a perspective view showing a front, right side and bottom thereof; and,

FIG. 10 is a perspective view showing a rear, left side and top thereof.

The broken lines are shown for environmental purposes only and depict portions of the electrical connector that form no part of claimed design.

**1 Claim, 8 Drawing Sheets**



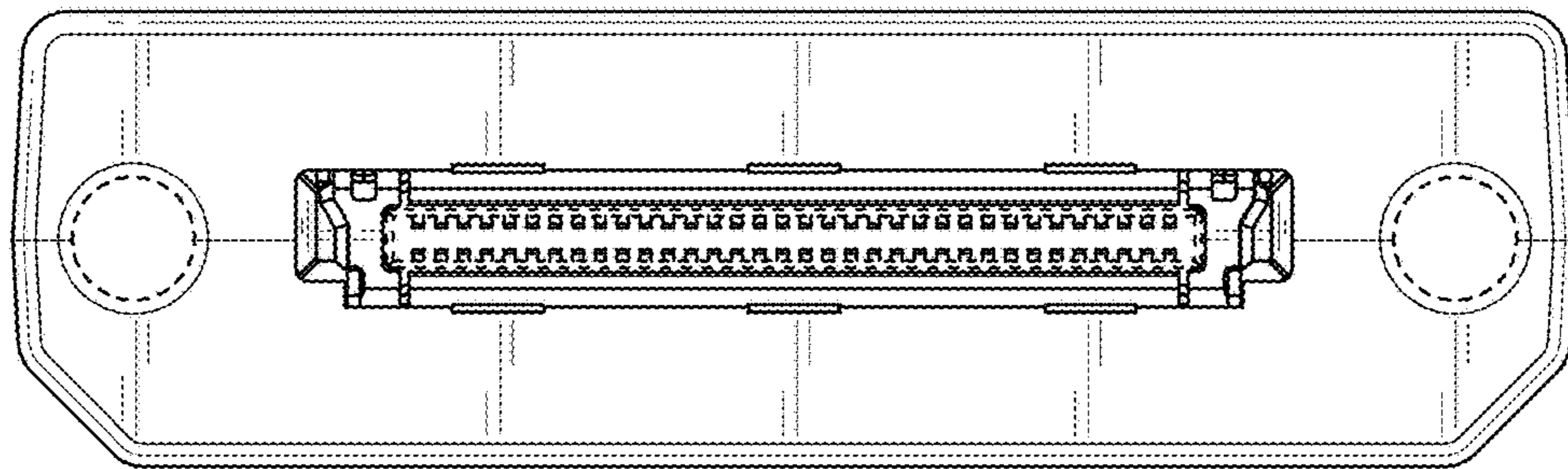


FIG. 1

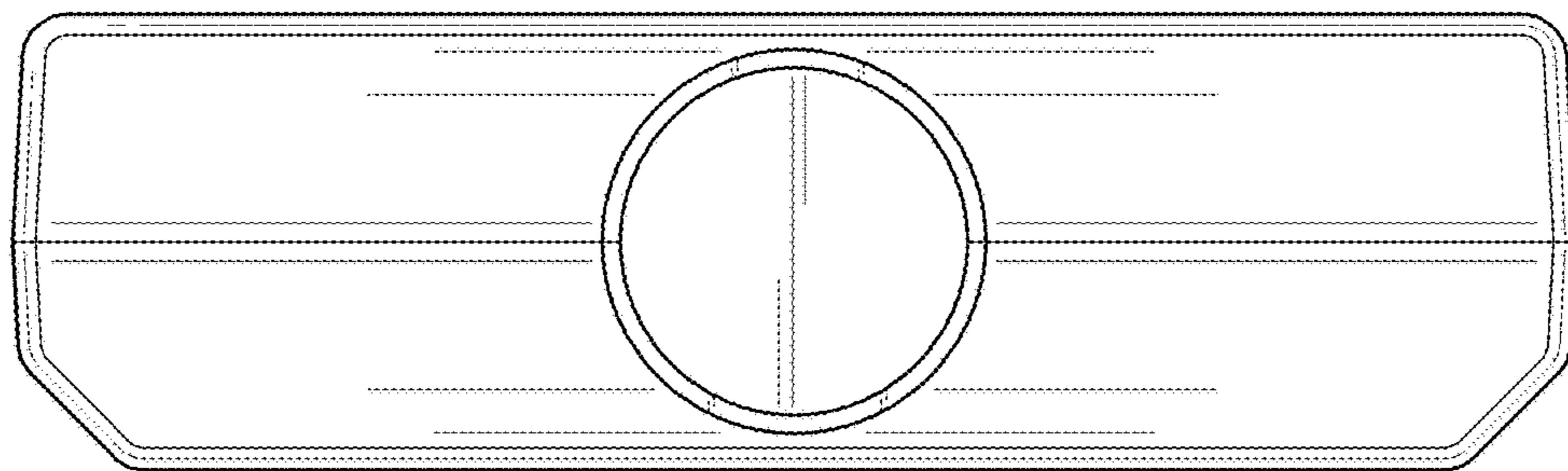


FIG. 2

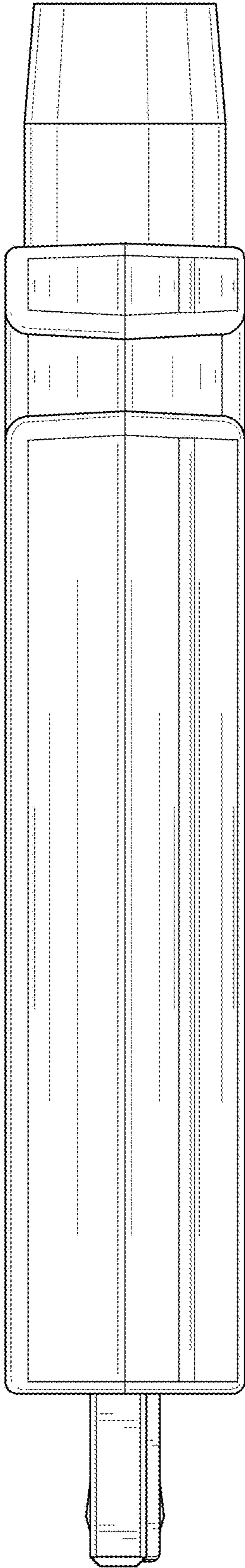


FIG. 3

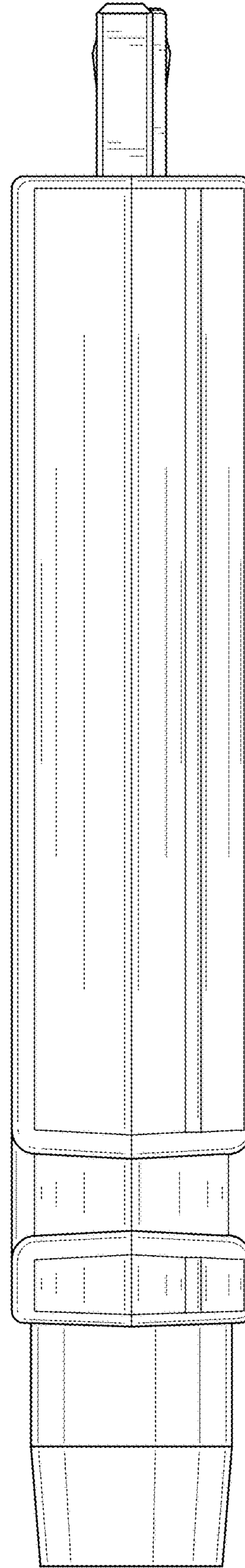


FIG. 4

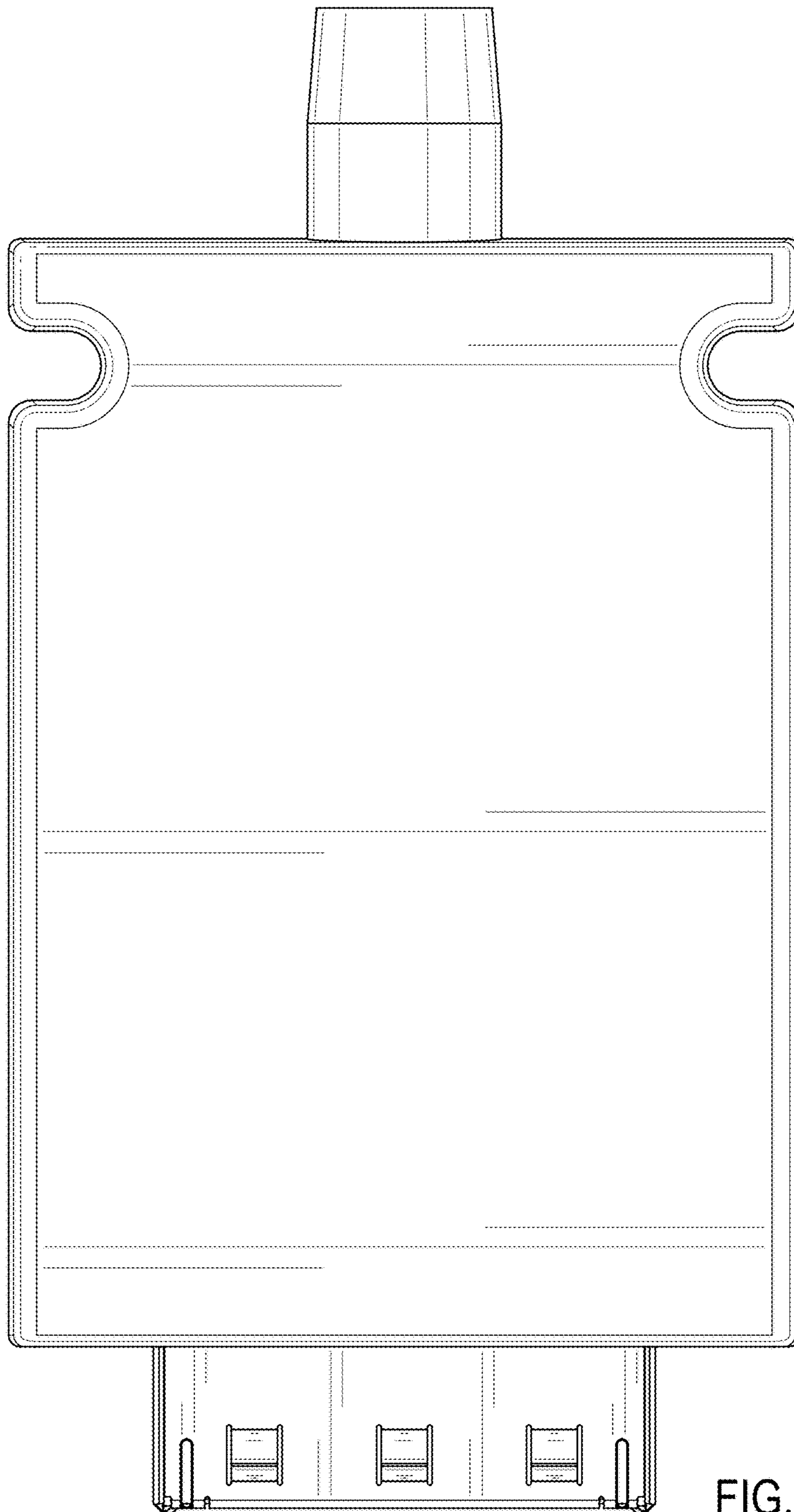


FIG. 5

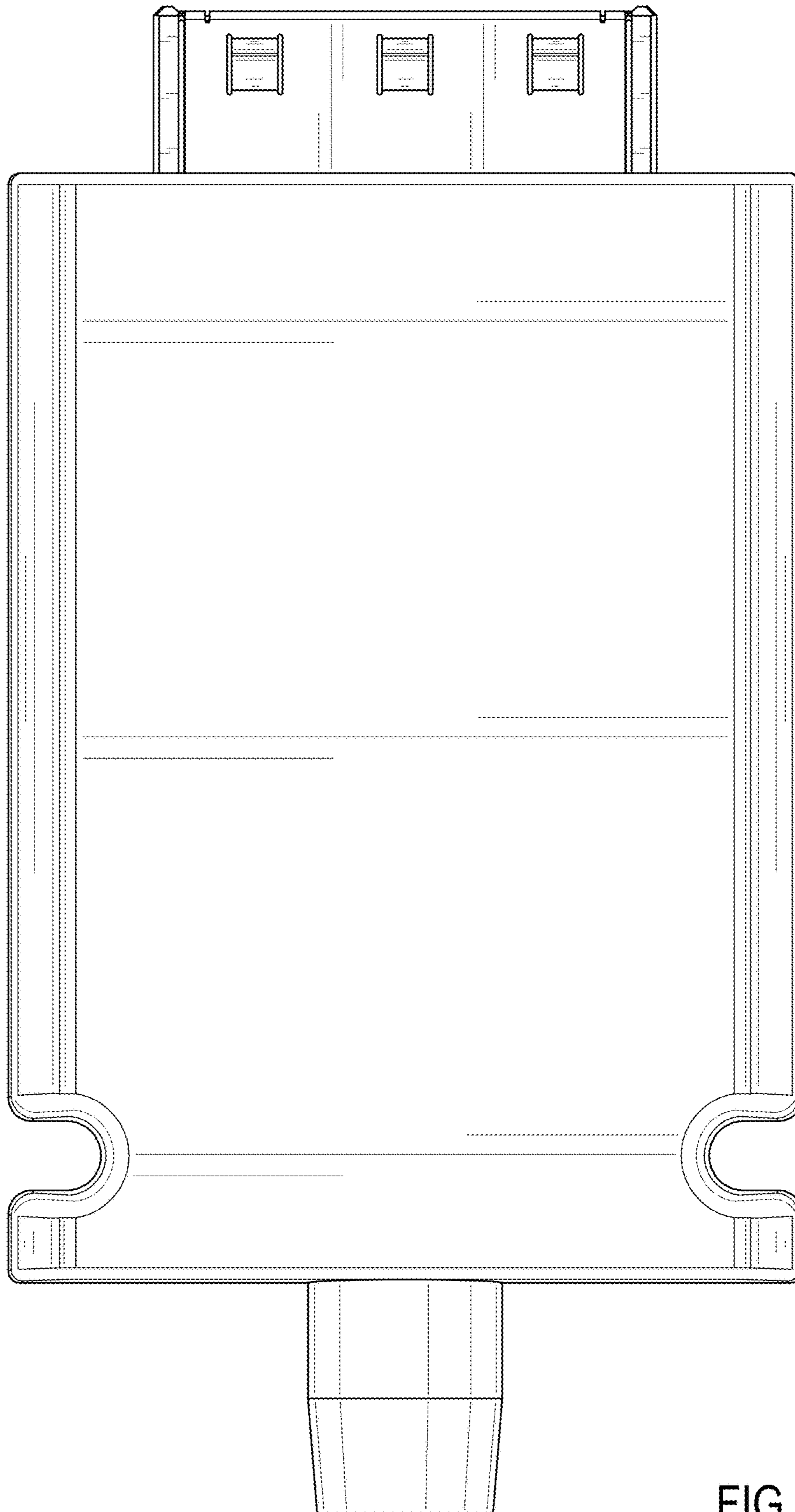


FIG. 6

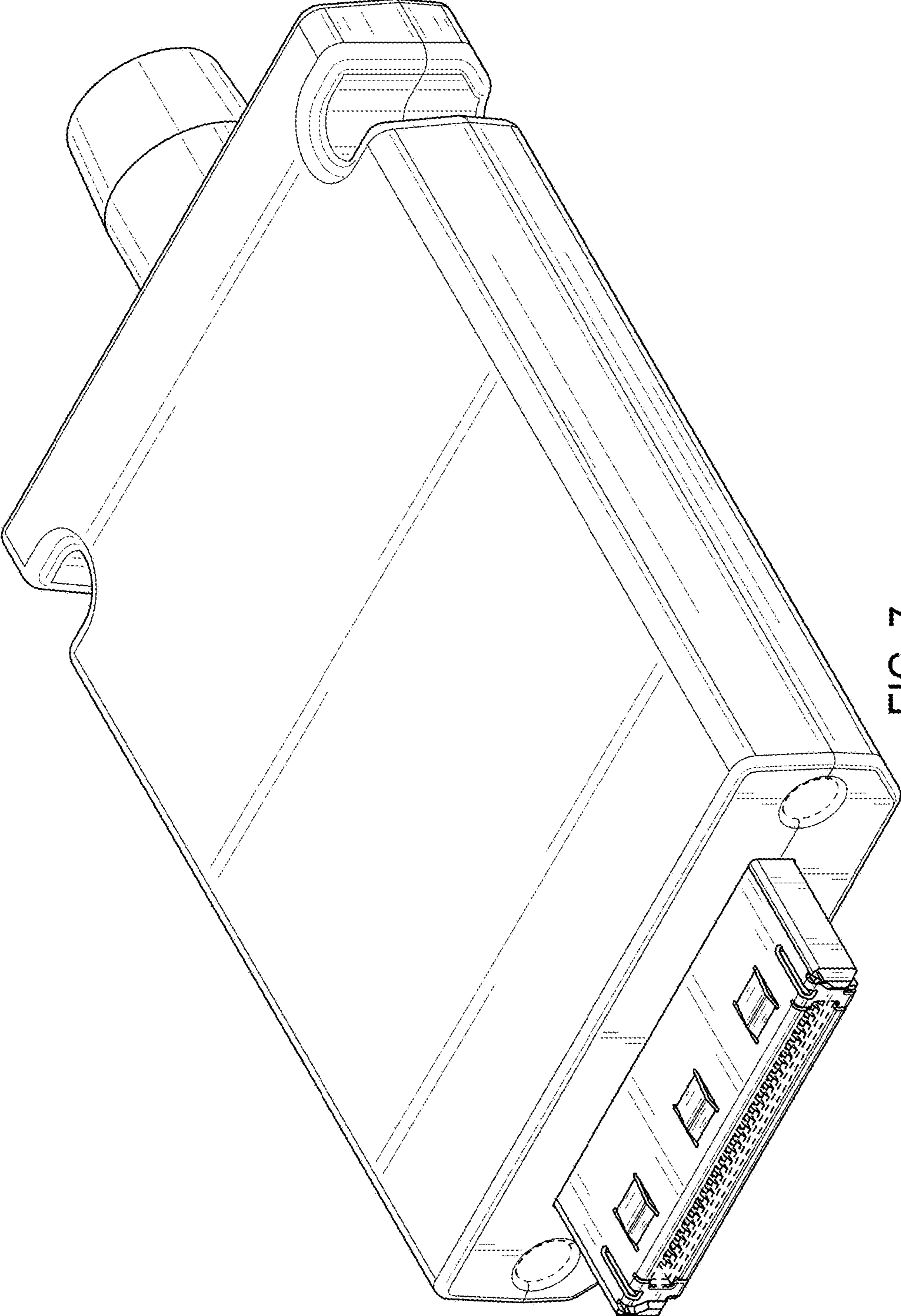


FIG. 7

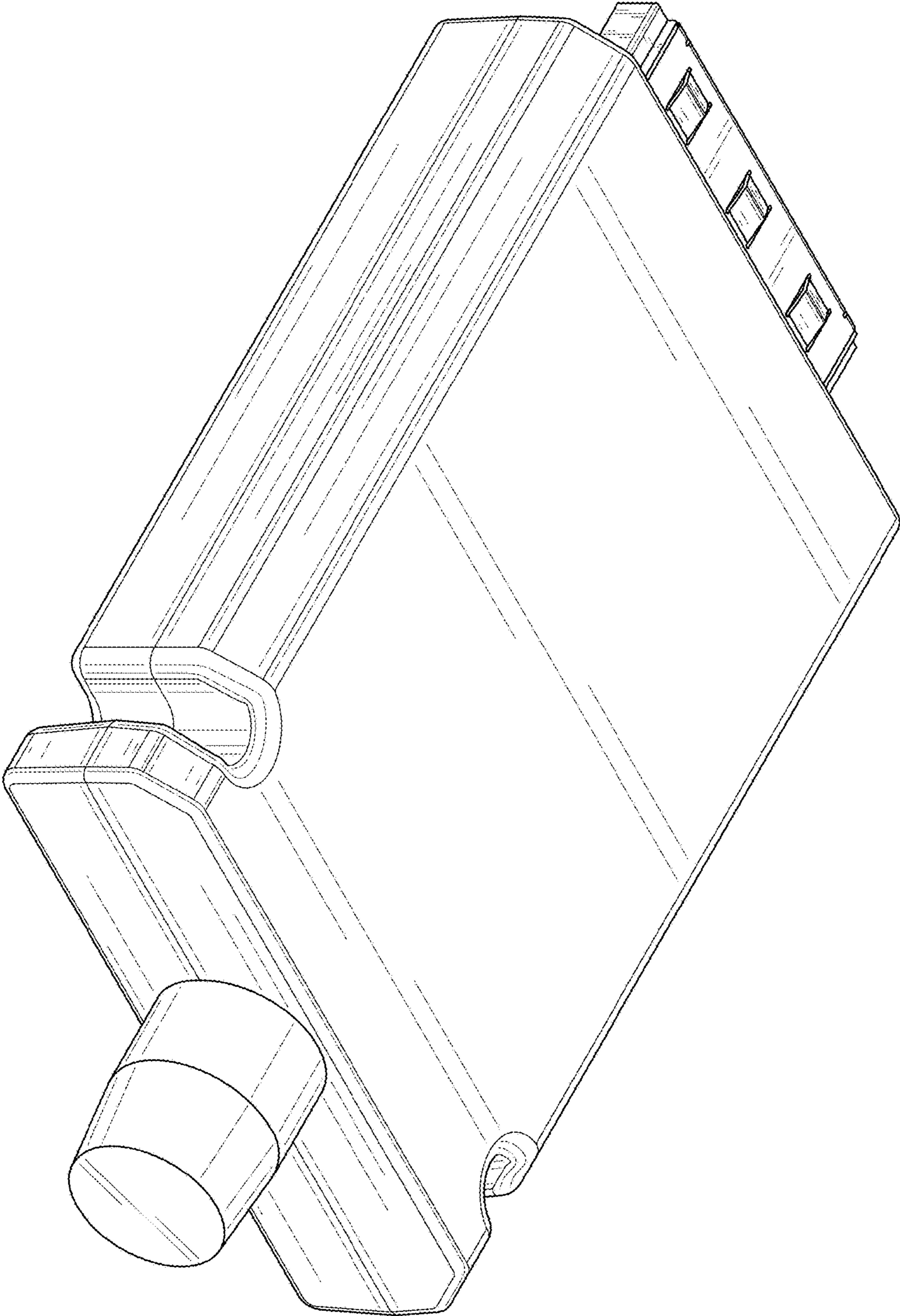


FIG. 8

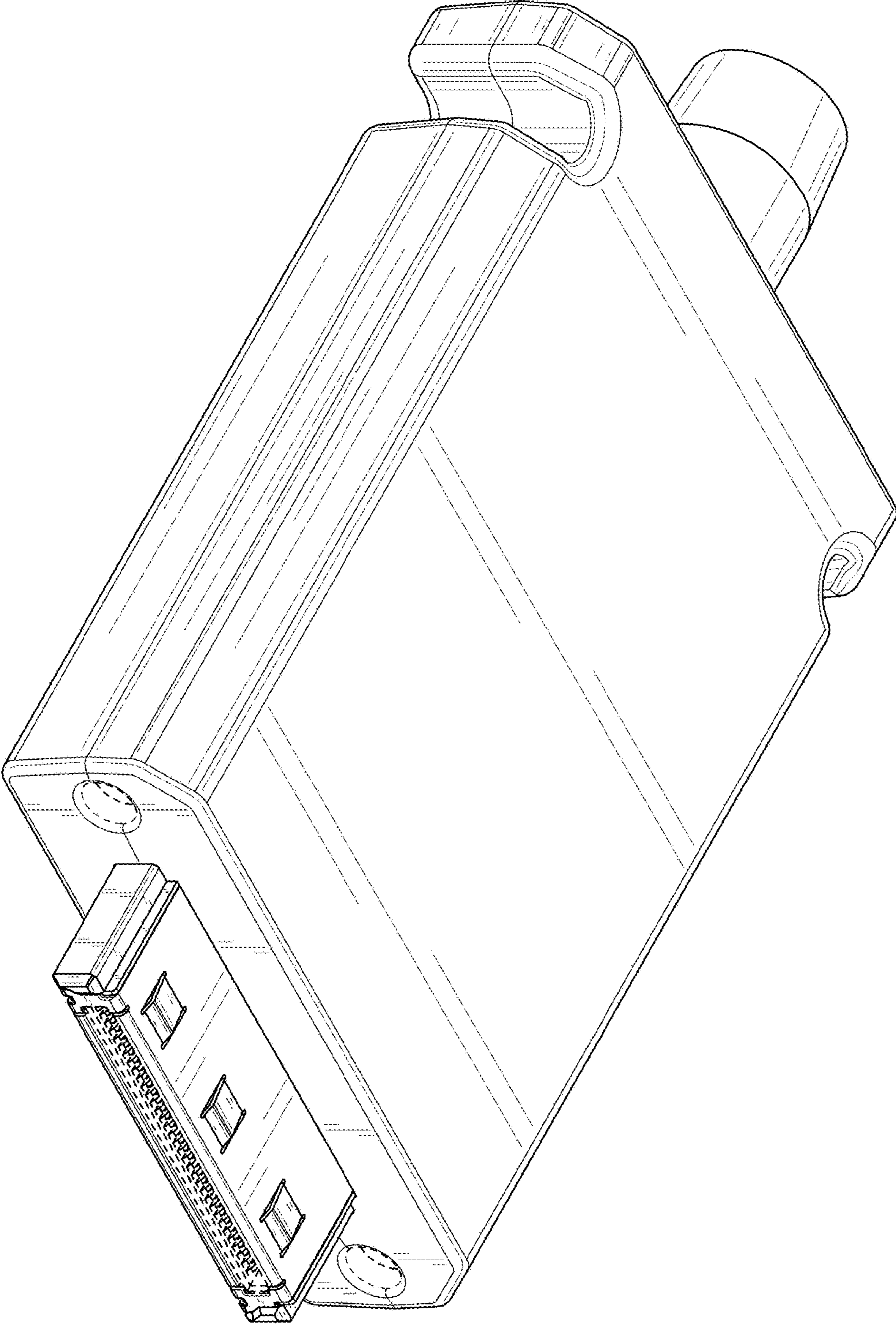


FIG. 9



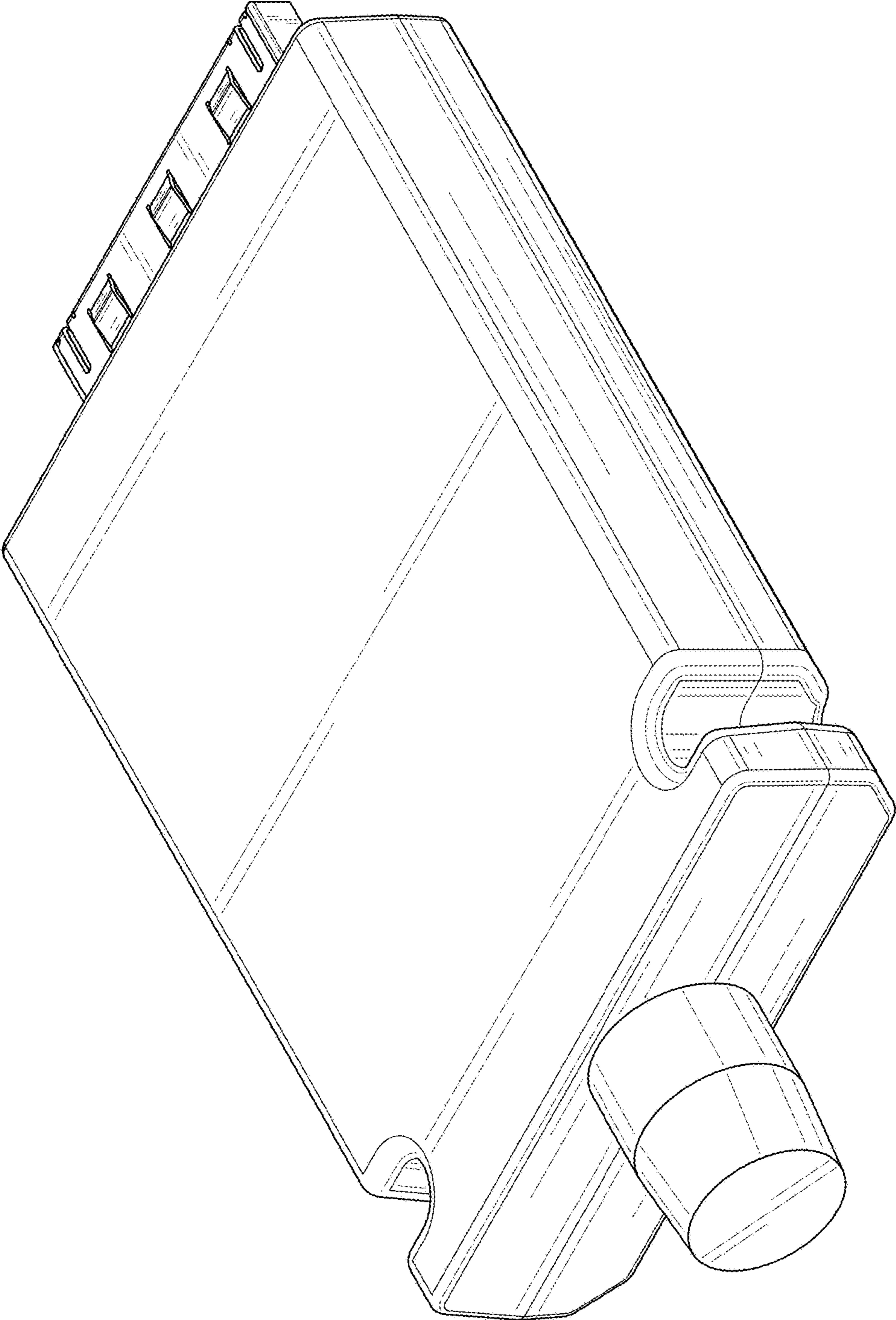


FIG. 10