



US00D802537S

(12) **United States Design Patent**  
**Burachynsky et al.**

(10) **Patent No.:** **US D802,537 S**

(45) **Date of Patent:** **\*\* Nov. 14, 2017**

(54) **CONNECTOR HUB**

(71) Applicant: **Kyphon SÀRL**, Neuchâtel (CH)

(72) Inventors: **Natalia Burachynsky**, Toronto (CA);  
**Robert Harrison**, Milton (CA); **Neil Godara**, Milton (CA); **Zhifeng Zhou**, Toronto (CA)

(73) Assignee: **Kyphon SÀRL**, Neuchâtel (CH)

(\*\*) Term: **15 Years**

(21) Appl. No.: **29/539,388**

(22) Filed: **Sep. 14, 2015**

(51) **LOC (10) Cl.** ..... **13-03**

(52) **U.S. Cl.**  
USPC ..... **D13/147; D3/154**

(58) **Field of Classification Search**  
USPC ..... D13/133, 146, 147, 154, 184, 199;  
D14/433, 434, 435.1, 438  
CPC ..... A45B 25/02; A61B 19/00; A61B 5/042;  
A61B 17/16; A61B 17/7052; A61N 1/05;  
H01R 13/44; H01R 13/514; H01R  
13/665; H01R 43/02  
See application file for complete search history.

(56) **References Cited**

**U.S. PATENT DOCUMENTS**

5,793,352 A \* 8/1998 Greenberg ..... G09G 5/006  
345/699  
D417,432 S \* 12/1999 Baker ..... D13/147

D585,898 S \* 2/2009 Skurdal ..... D14/434  
D621,507 S \* 8/2010 Romero ..... D13/154  
D656,686 S \* 3/2012 Decker ..... D29/124  
D691,140 S \* 10/2013 Huang ..... D14/433  
D772,231 S \* 11/2016 Lee ..... D13/133

\* cited by examiner

*Primary Examiner* — Daniel Bui

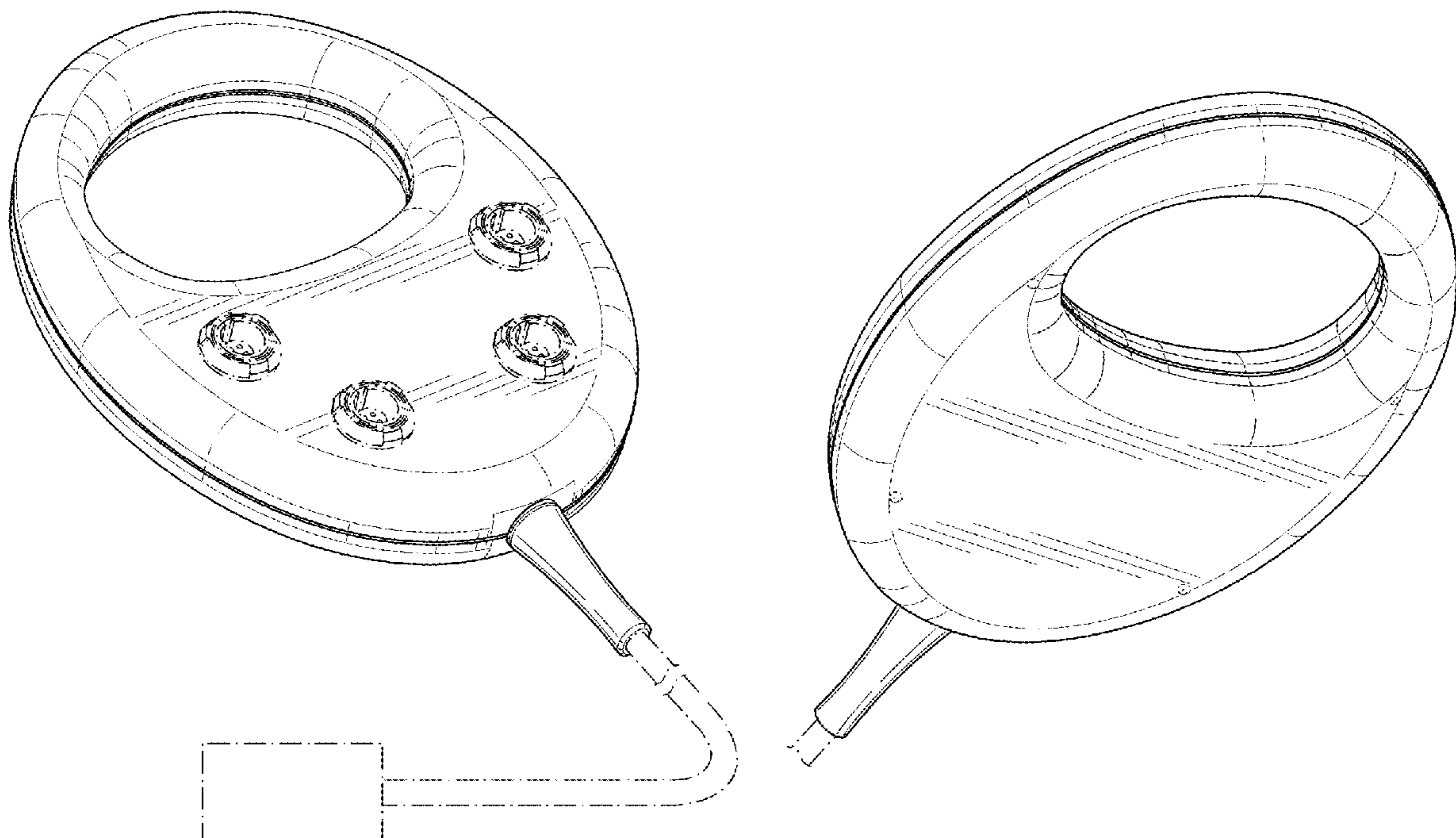
(57) **CLAIM**

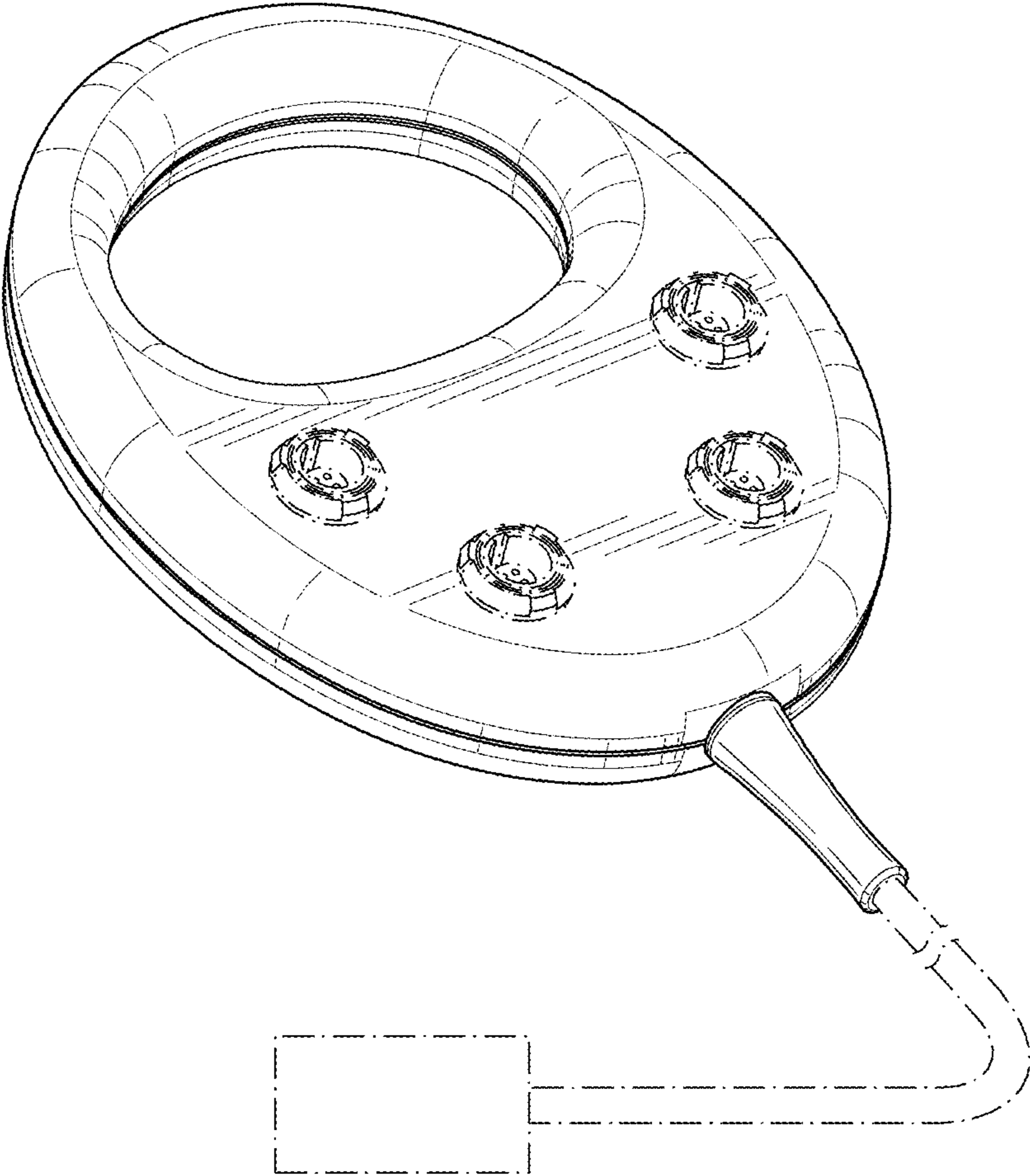
The ornamental design for a connector hub, as shown and described.

**DESCRIPTION**

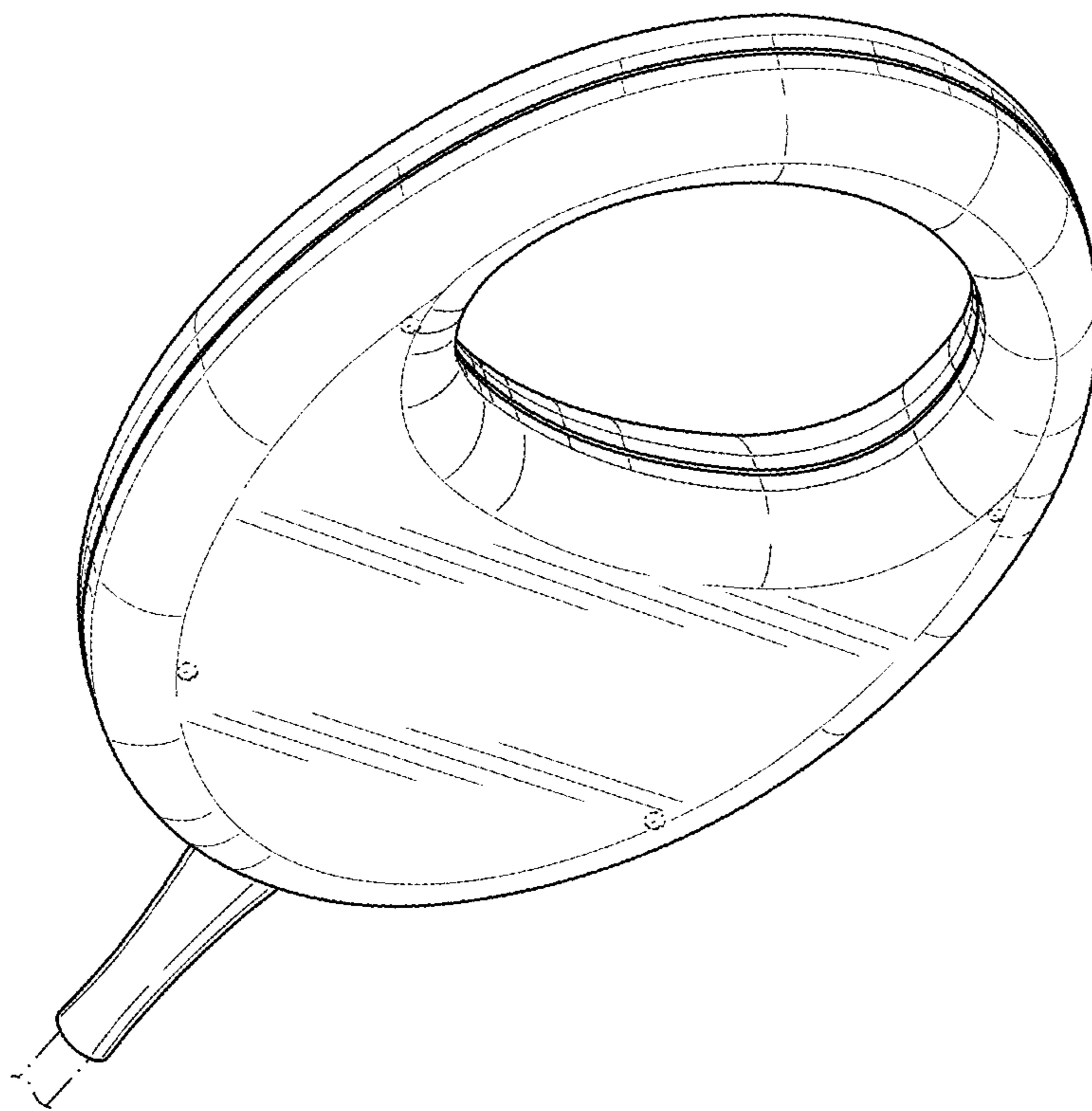
FIG. 1 is a left, front and top perspective view of a connector hub, showing our new design;  
FIG. 2 is a right, back and bottom perspective view of the connector hub of FIG. 1;  
FIG. 3 is a right side view of the connector hub of FIG. 1;  
FIG. 4 is a top view of the connector hub of FIG. 1;  
FIG. 5 is a left side view of the connector hub of FIG. 1;  
FIG. 6 is a bottom view of the connector hub of FIG. 1;  
FIG. 7 is a back view of the connector hub of FIG. 1; and,  
FIG. 8 is a front view of the connector hub of FIG. 1.  
The broken lines immediately adjacent the shaded areas represent the bounds of the claimed design while all other broken lines are directed to environment and are for illustrative purposes only; the broken lines form no part of the claimed design.

**1 Claim, 5 Drawing Sheets**

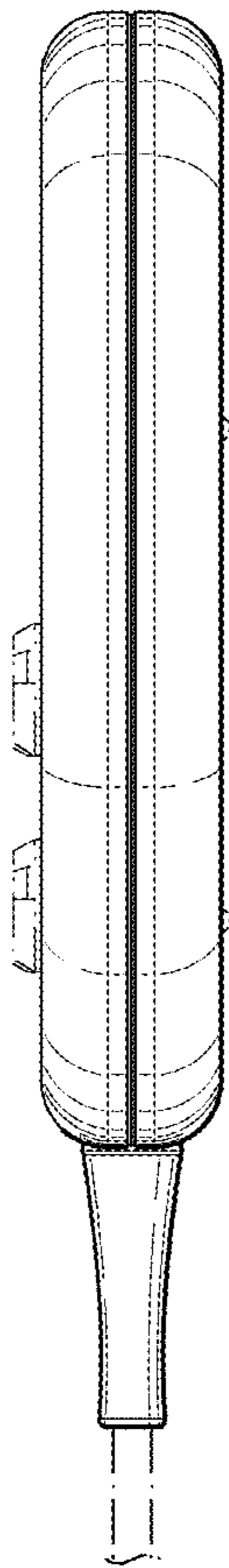




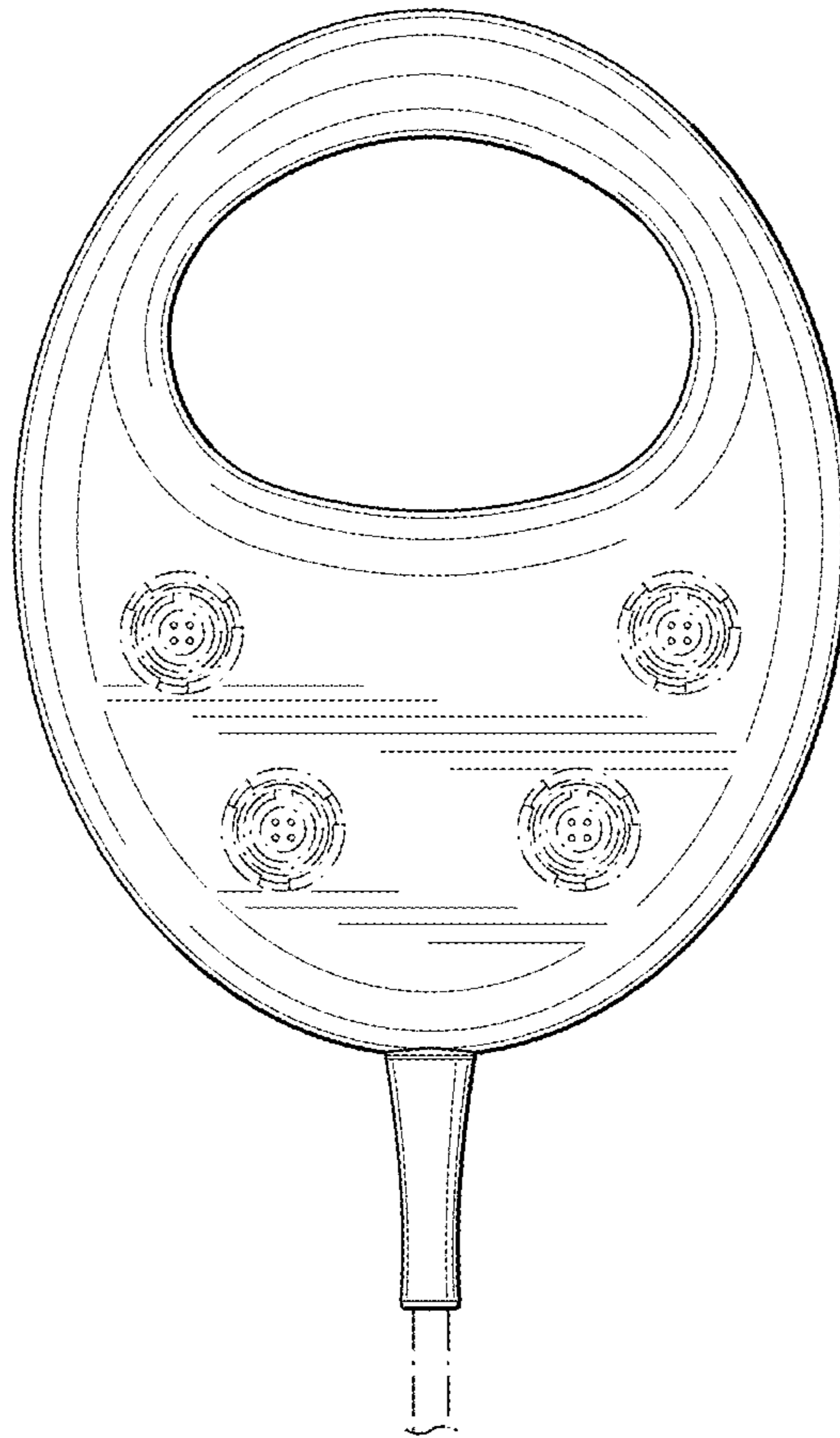
**FIG. 1**



**FIG. 2**



**FIG. 3**



**FIG. 4**

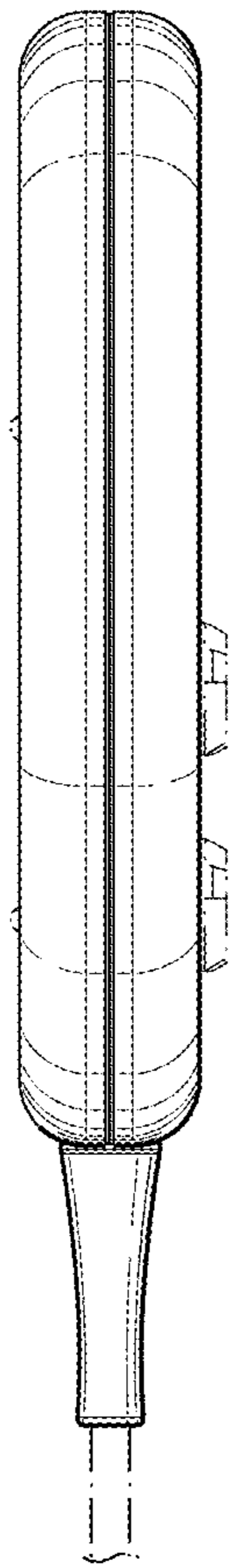


FIG. 5

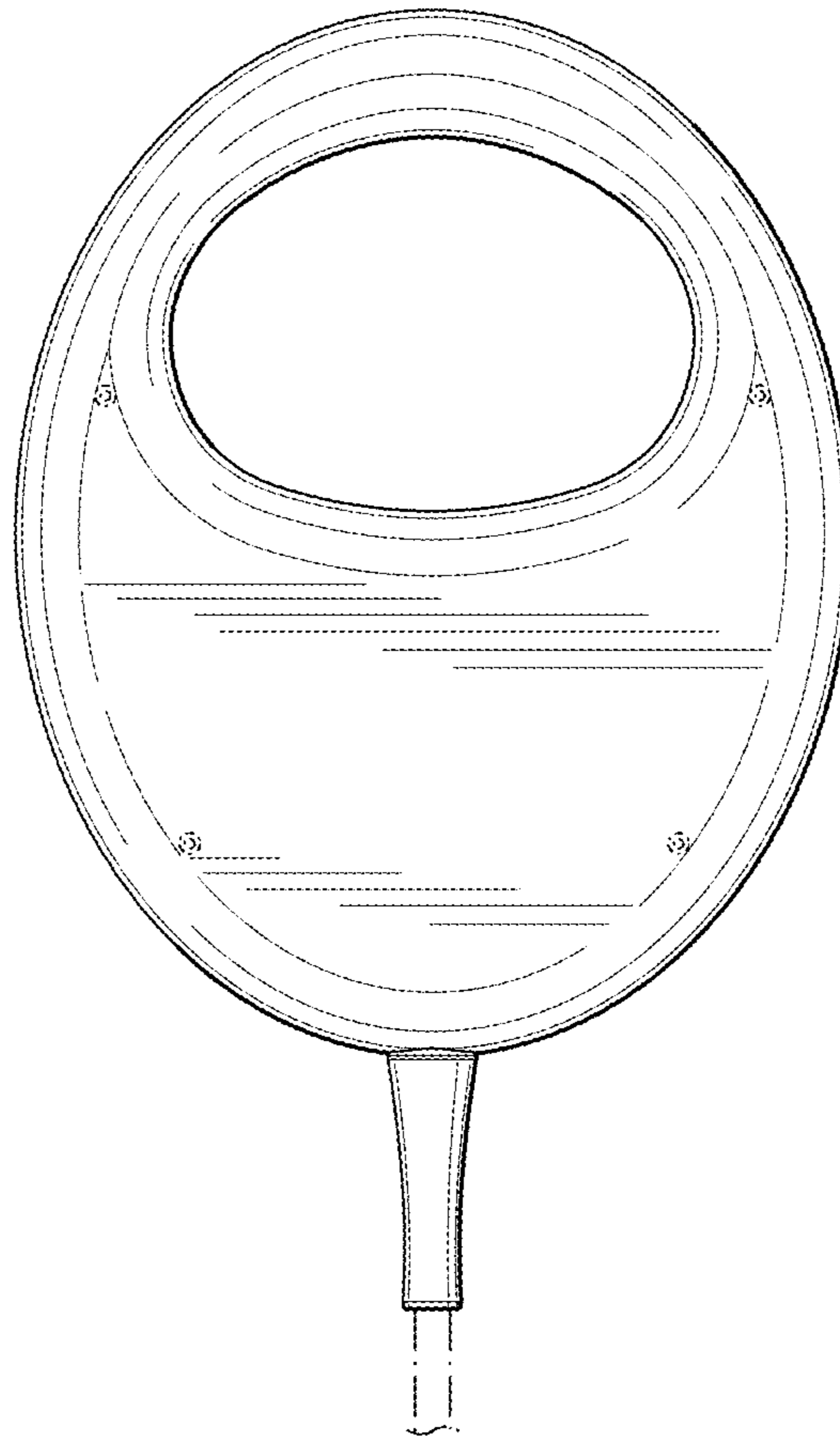
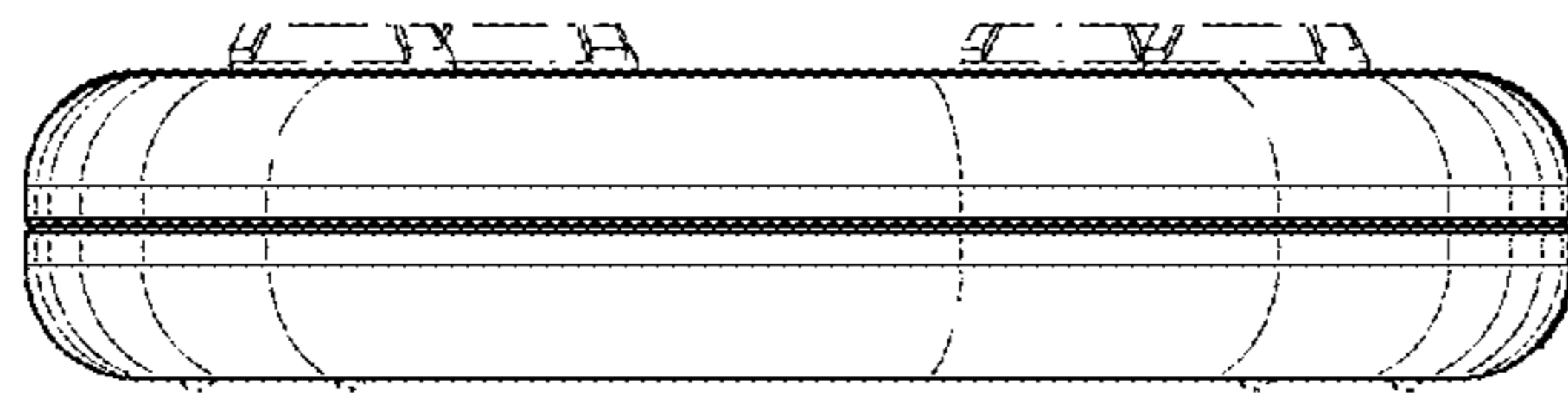
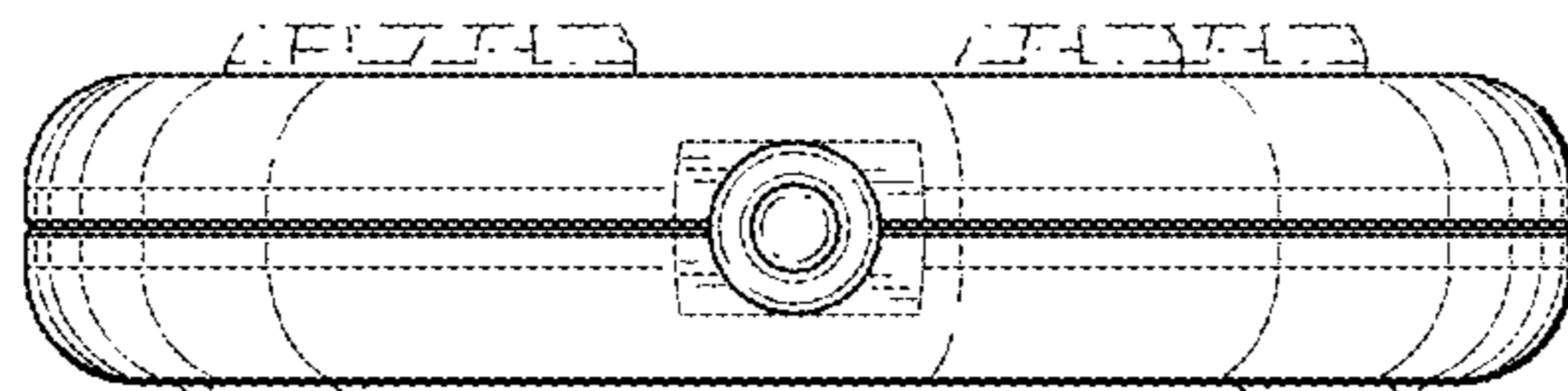


FIG. 6





**FIG. 7**



**FIG. 8**