



US00D802536S

(12) **United States Design Patent**  
**Shang**

(10) **Patent No.:** **US D802,536 S**

(45) **Date of Patent:** **\*\* Nov. 14, 2017**

(54) **CIGARETTE LIGHTER DEVICE**

(71) Applicant: **KONINKLIJKE PHILIPS N.V.**,  
Eindhoven (NL)

(72) Inventor: **Clark Shang**, Shanghai (CN)

(73) Assignee: **KONINKLIJKE PHILIPS N.V.**,  
Eindhoven (NL)

(\*\*) Term: **15 Years**

(21) Appl. No.: **35/501,126**

(22) Filed: **Dec. 21, 2015**

(80) **Hague Agreement Data**

Int. Filing Date: **Sep. 24, 2015**

Int. Reg. No.: **DM/089005**

Int. Reg. Date: **Dec. 21, 2015**

Int. Reg. Pub. Date: **Jun. 24, 2016**

(51) **LOC (10) Cl.** ..... **13-03**

(52) **U.S. Cl.**  
USPC ..... **D13/144**

(58) **Field of Classification Search**  
USPC ..... D13/107, 144, 110; D14/155  
CPC ..... G01C 21/00; G01S 3/52  
See application file for complete search history.

(56) **References Cited**

**U.S. PATENT DOCUMENTS**

D433,379 S \* 11/2000 Jokinen ..... D13/107  
D521,486 S \* 5/2006 Yokoyama ..... D13/144

D548,719 S \* 8/2007 Dayan ..... D14/155  
D652,802 S \* 1/2012 Dong ..... D13/144  
D656,898 S \* 4/2012 Webb ..... D13/144  
8,392,118 B2 \* 3/2013 Korn ..... G01C 21/00  
340/539.13  
D708,191 S \* 7/2014 An ..... D13/144  
D725,036 S \* 3/2015 Alesi ..... D13/110  
D734,720 S \* 7/2015 Alesi ..... D13/110  
9,389,297 B2 \* 7/2016 Zohar ..... G01S 3/52  
D781,236 S \* 3/2017 Esses ..... D13/144

\* cited by examiner

*Primary Examiner* — George D Kirschbaum

(74) *Attorney, Agent, or Firm* — Baker & McKenzie LLP

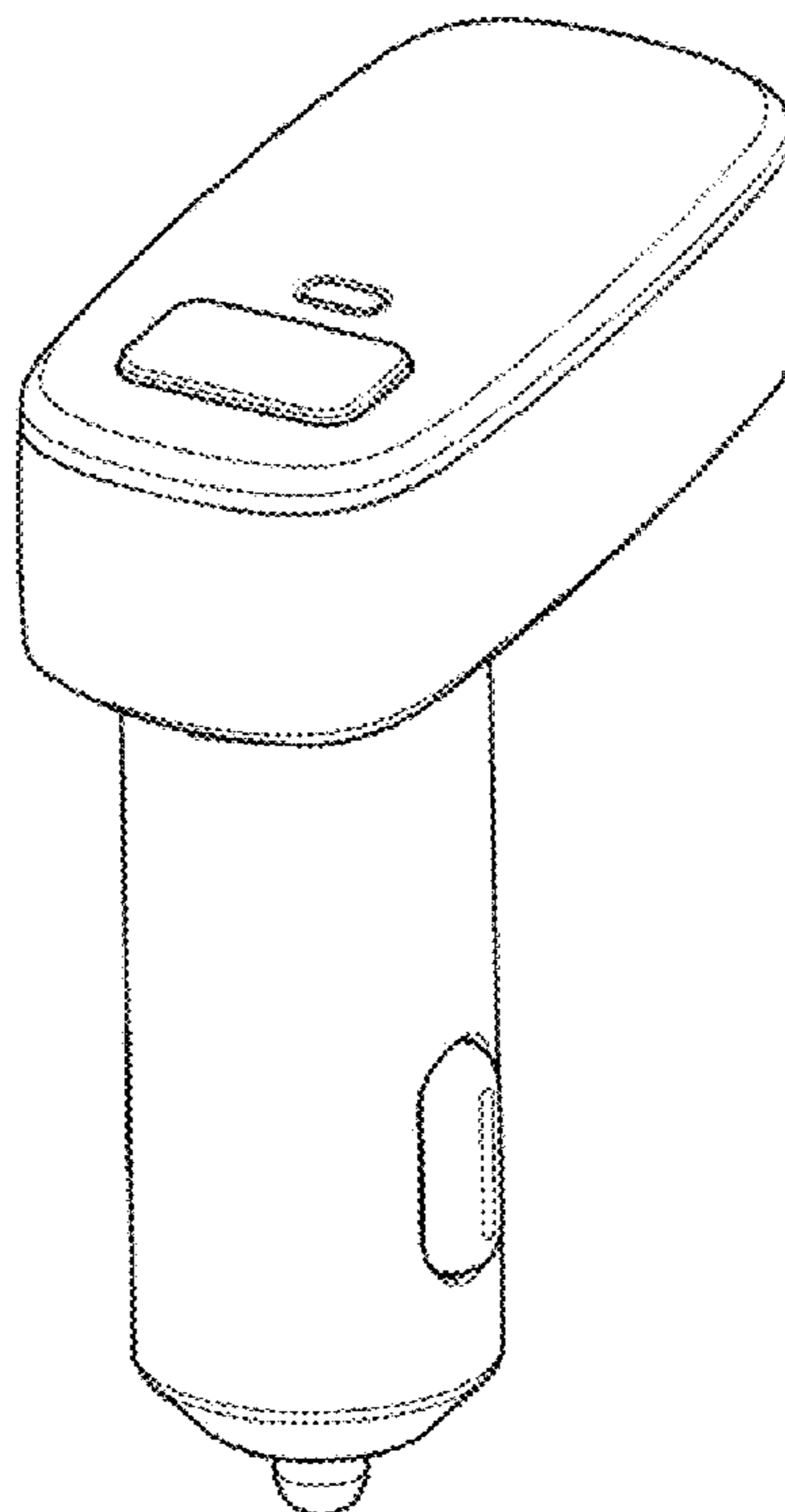
(57) **CLAIM**

The ornamental design for a cigarette lighter device, as shown and described.

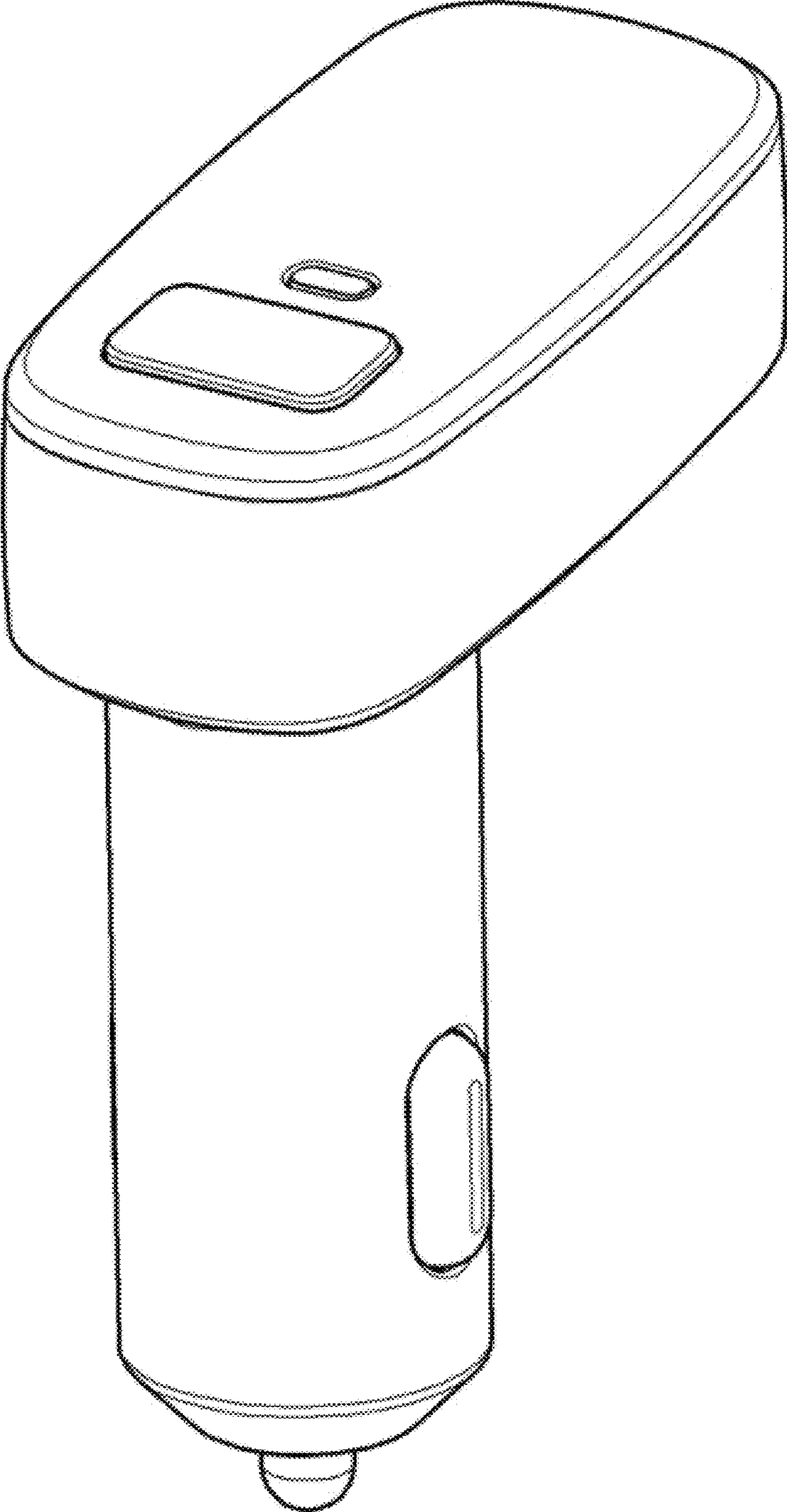
**DESCRIPTION**

- 1. Cigarette lighter device
- 1.1 is a front perspective view.
- 1.2 is a front view.
- 1.3 is a back view.
- 1.4 is a top view.
- 1.5 is a right side view.
- 1.6 is a left side view.
- 1.7 is a perspective view.

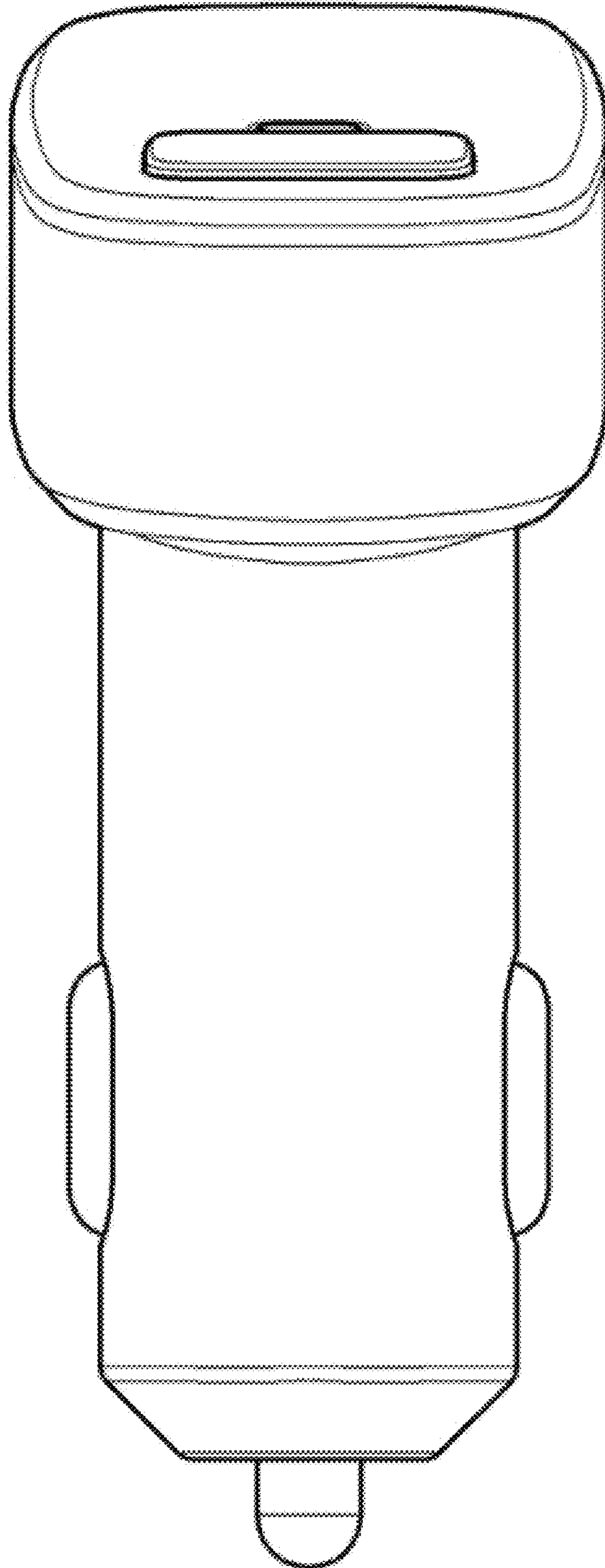
**1 Claim, 7 Drawing Sheets**



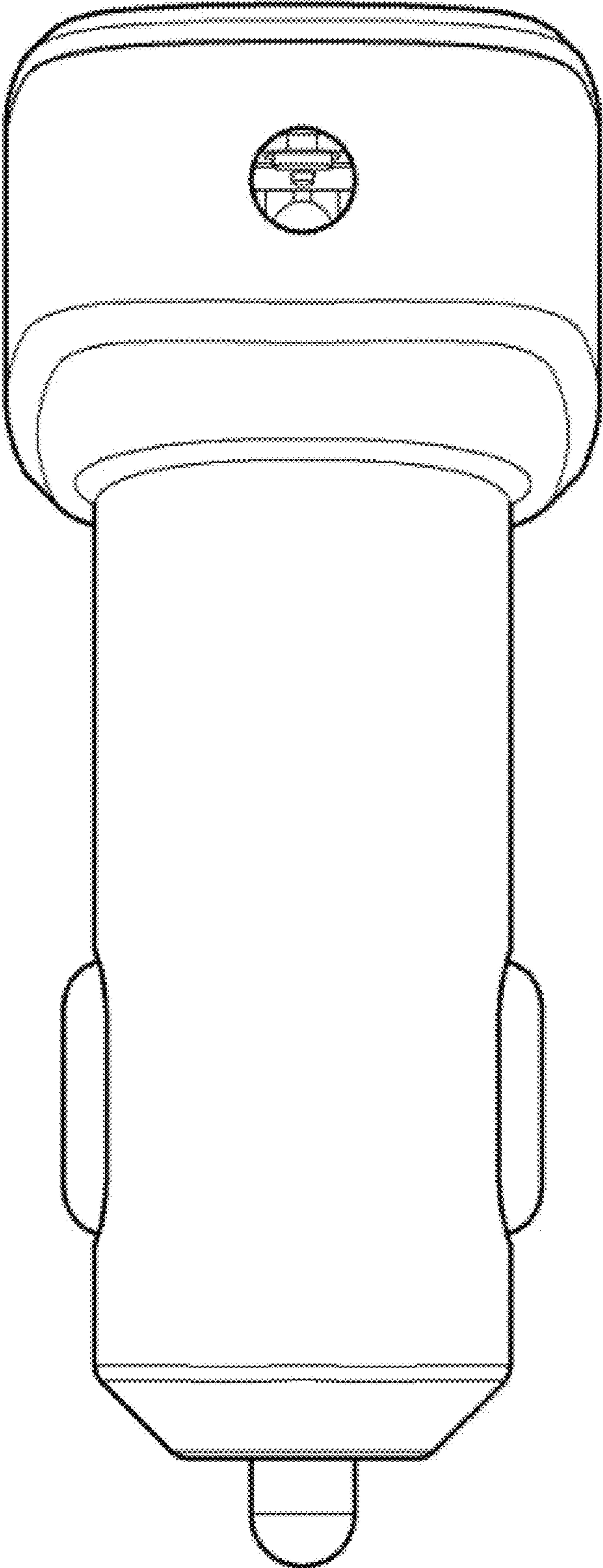
**1.1**



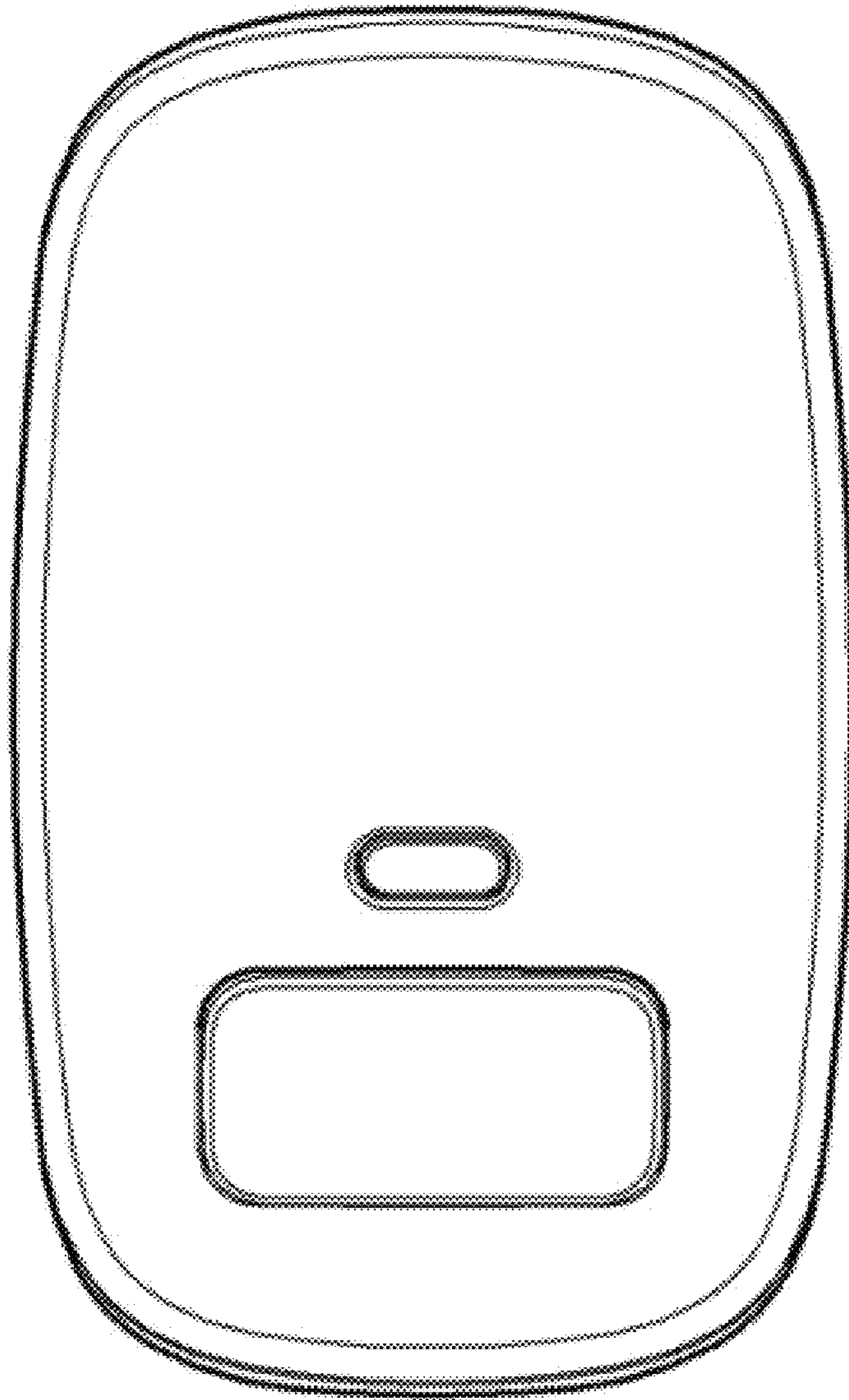
# 1.2



**1.3**

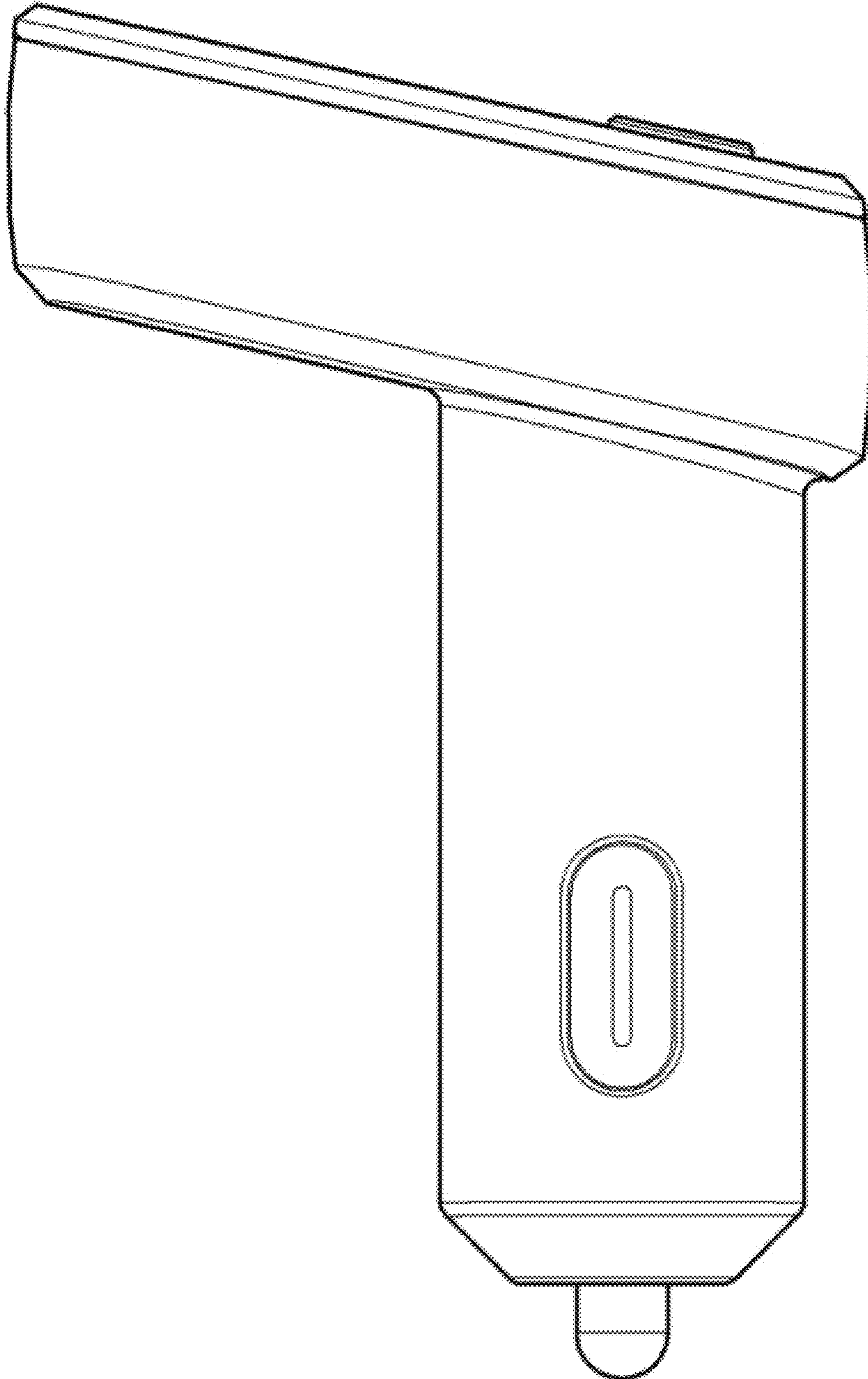


**1.4**

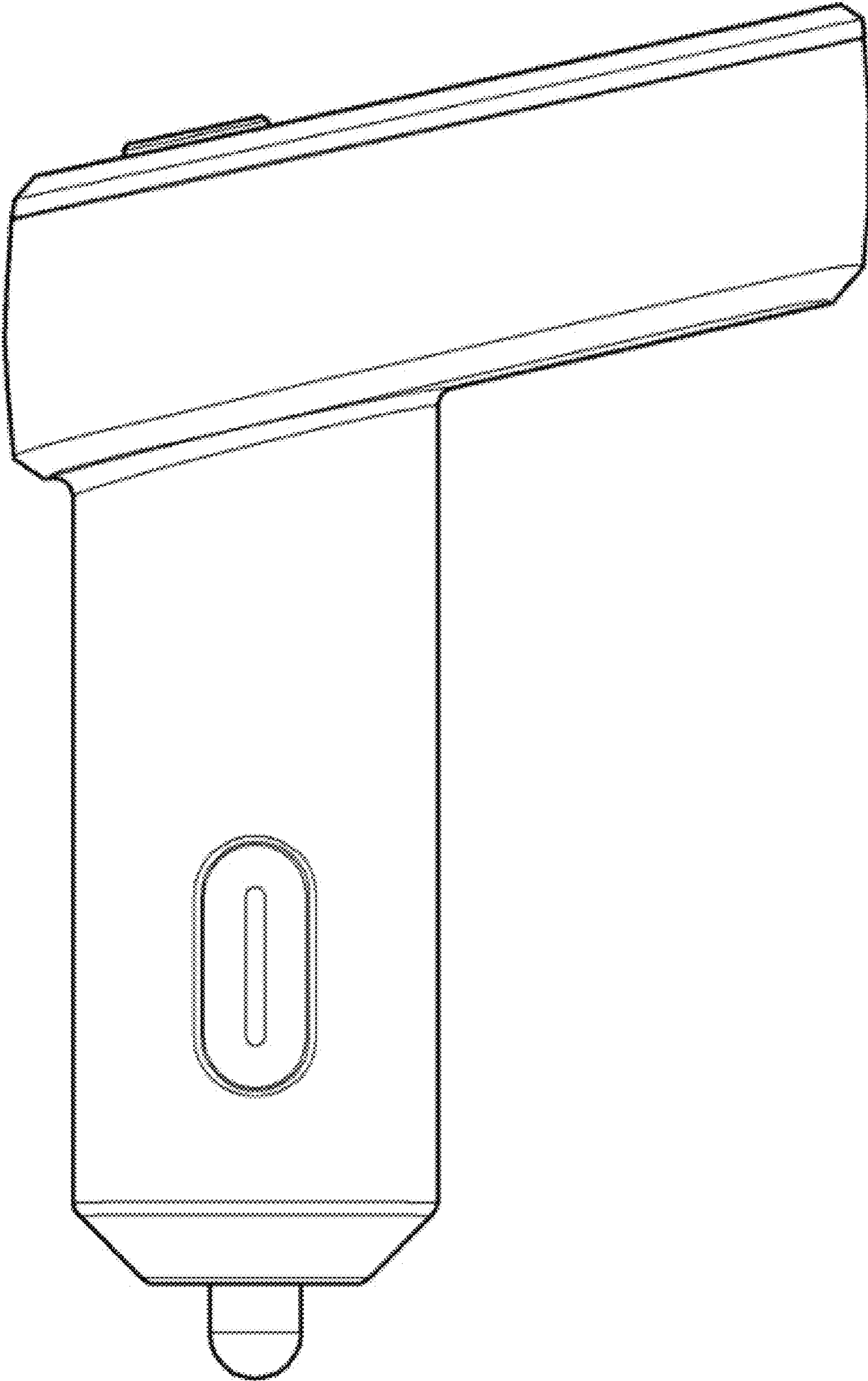




**1.5**



# 1.6



**1.7**

