



US00D802530S

(12) **United States Design Patent**
Adams et al.

(10) **Patent No.:** **US D802,530 S**
(45) **Date of Patent:** **** Nov. 14, 2017**

(54) **PORTABLE POWER SUPPLY**
(71) Applicant: **Huntkey USA, Inc.**, Camarillo, CA (US)
(72) Inventors: **Gregory Adams**, Camarillo, CA (US);
Xiaofei Zhou, Camarillo, CA (US);
Zhonghua Dong, Chaoqing (CN)
(73) Assignee: **HUNTKEY USA, INC.**, Camarillo, CA (US)

D475,680 S * 6/2003 Krieger D13/109
D520,948 S * 5/2006 Xiao D13/116
D527,340 S * 8/2006 Christiani D13/107
D578,551 S * 10/2008 Bonzer D15/9
D613,560 S * 4/2010 Robichaud D7/605
7,851,931 B2 * 12/2010 Yamamoto F02B 63/04
290/1 A
D699,771 S * 2/2014 Barrett D15/144
D745,810 S * 12/2015 Golic D7/605
D753,395 S * 4/2016 Brunner D3/279
D754,755 S * 4/2016 Suthmann D15/9
D780,686 S * 3/2017 Glasow D13/103
2009/0322100 A1 * 12/2009 Hiranuma F02B 63/04
290/1 R
2017/0117726 A1 * 4/2017 Jore H02J 7/0027

(**) Term: **15 Years**

(21) Appl. No.: **29/574,482**

(22) Filed: **Aug. 16, 2016**

(51) **LOC (10) Cl.** **13-02**

(52) **U.S. Cl.**
USPC **D13/109**

(58) **Field of Classification Search**
USPC D13/102-110, 118-199; D14/356, 432
CPC Y02E 60/10; Y02E 60/12; Y02E 60/122;
Y02E 60/124; Y02E 60/50; H01M 2/02;
H01M 2/022; H01M 2/0202; H01M
2/0207; H01M 2/0212; H01M 2/1061;
H01M 2/1022; H01M 2/1055; H01M
2/1066; H01M 2/105; H01M 2/20; H01M
2/202; H01M 2/204; H01M 2/206; H01M
10/44; H01M 10/46; H01M 10/465;
H01M 10/482; H01M 2200/30; H01M
2250/30; H01M 2250/40; H02J 7/00;
H02J 7/0003; H02J 7/0011; H02J 7/0013;
H02J 7/0054; H02J 7/0055; H02J 7/0057;
H02J 2007/0062

See application file for complete search history.

(56) **References Cited**

U.S. PATENT DOCUMENTS

D423,518 S * 4/2000 Milligan D15/9
D425,018 S * 5/2000 Madura D13/110

* cited by examiner

Primary Examiner — Rosemary K Tarcza

Assistant Examiner — Alison M Ofstun

(74) *Attorney, Agent, or Firm* — Ralph D Chabot

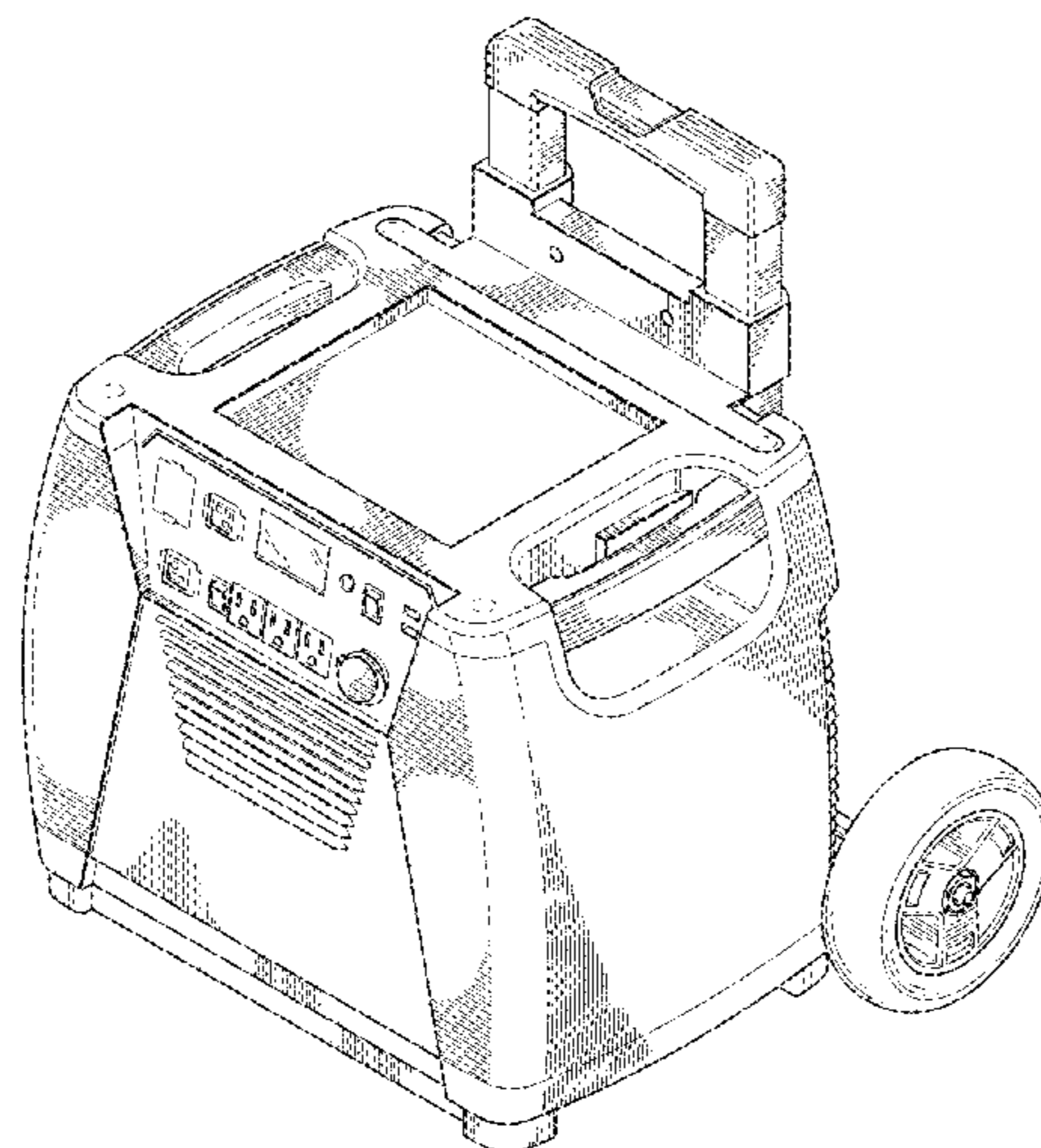
(57) **CLAIM**

The ornamental design for a portable power supply, as shown and described.

DESCRIPTION

FIG. 1 is a top, front, right side perspective view of a portable power supply showing our new design; FIG. 2 is a front elevation thereof; FIG. 3 is a rear elevation thereof; FIG. 4 is a right side elevation thereof with the left side being a mirror image; FIG. 5 is a top plan view thereof; and, FIG. 6 is a bottom plan view thereof. The broken lines present in the figures are included for the purpose of illustrating portions of the portable power supply which form no part of the claimed design.

1 Claim, 6 Drawing Sheets



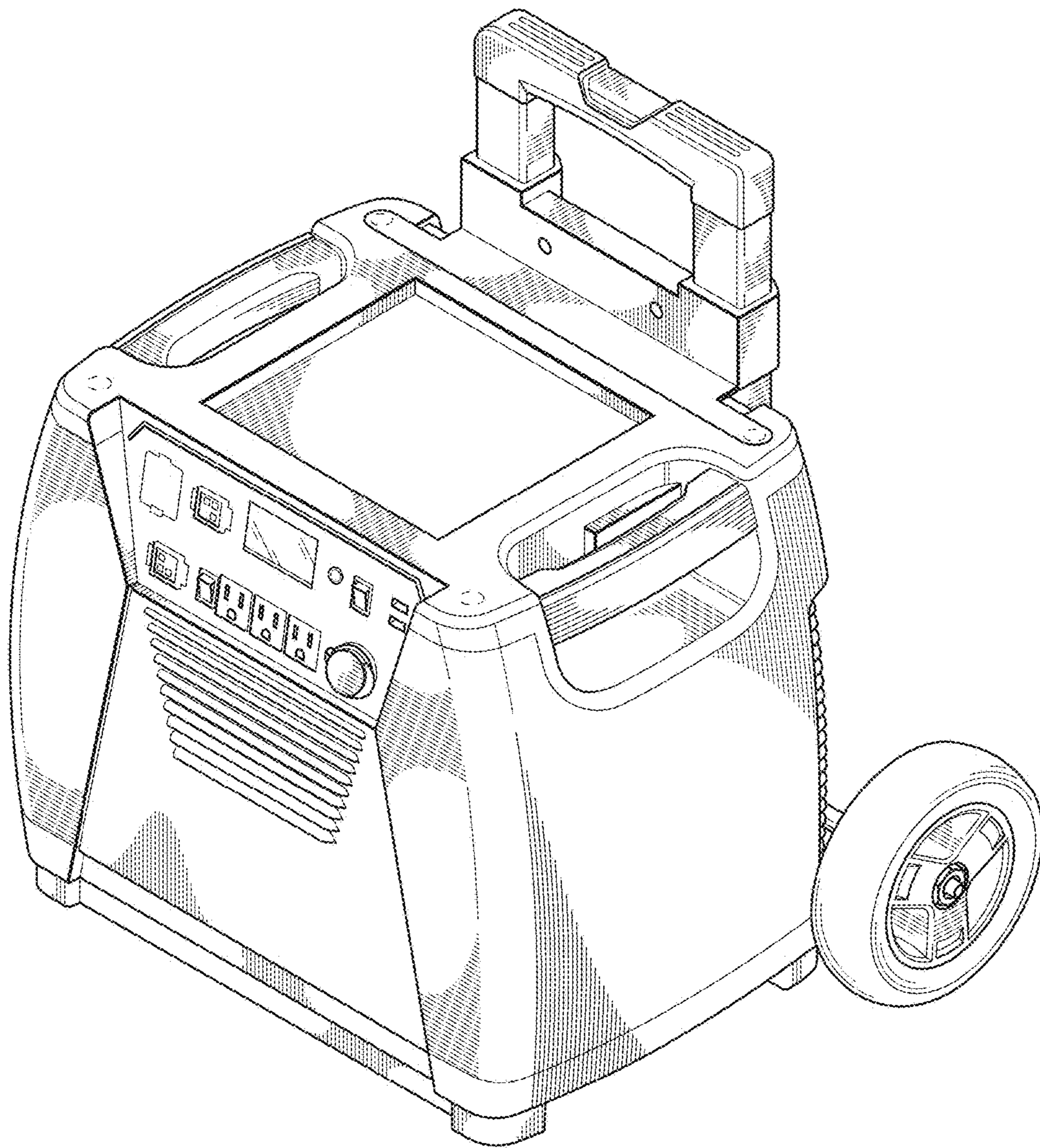


FIG. 1

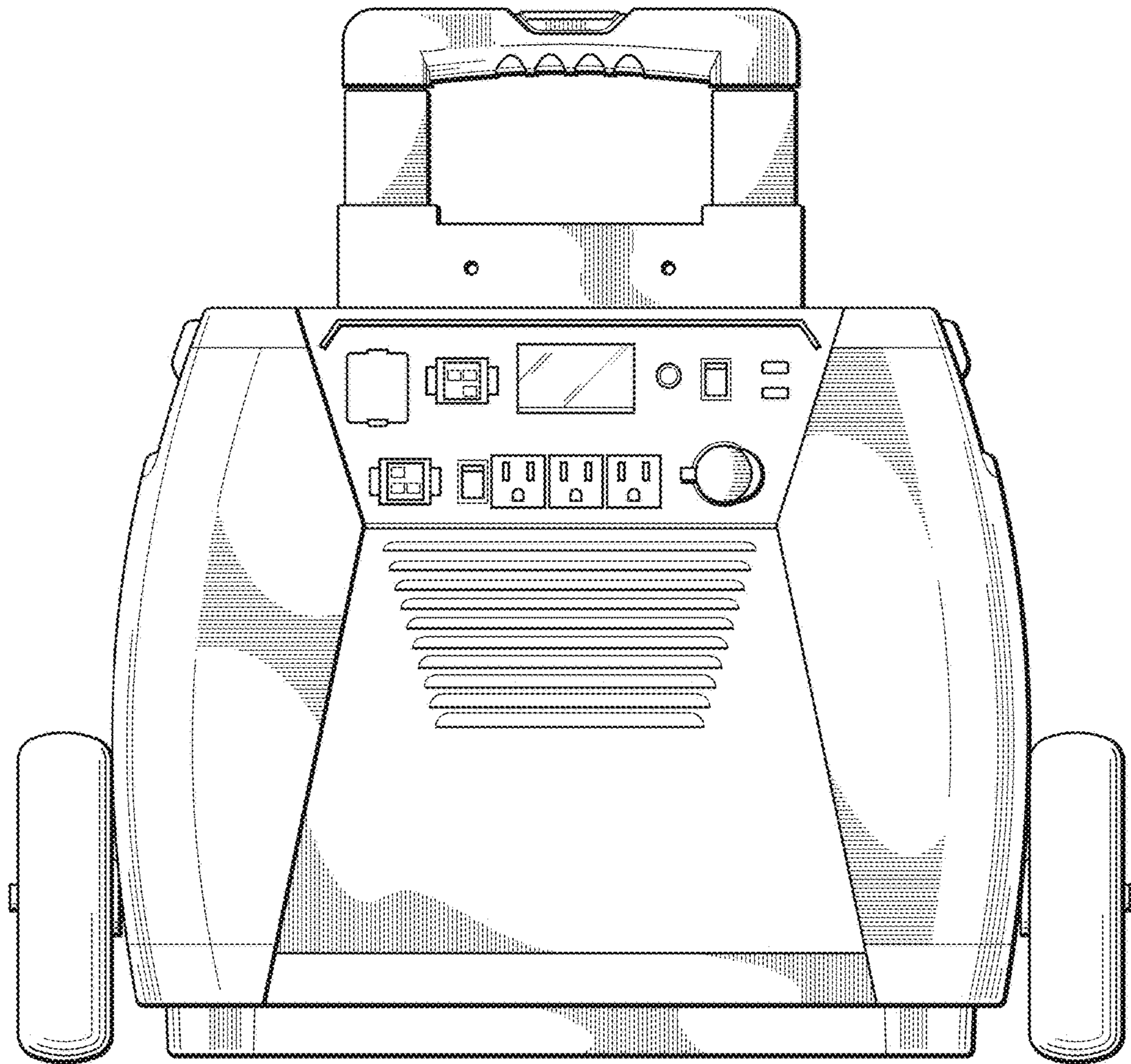


FIG. 2

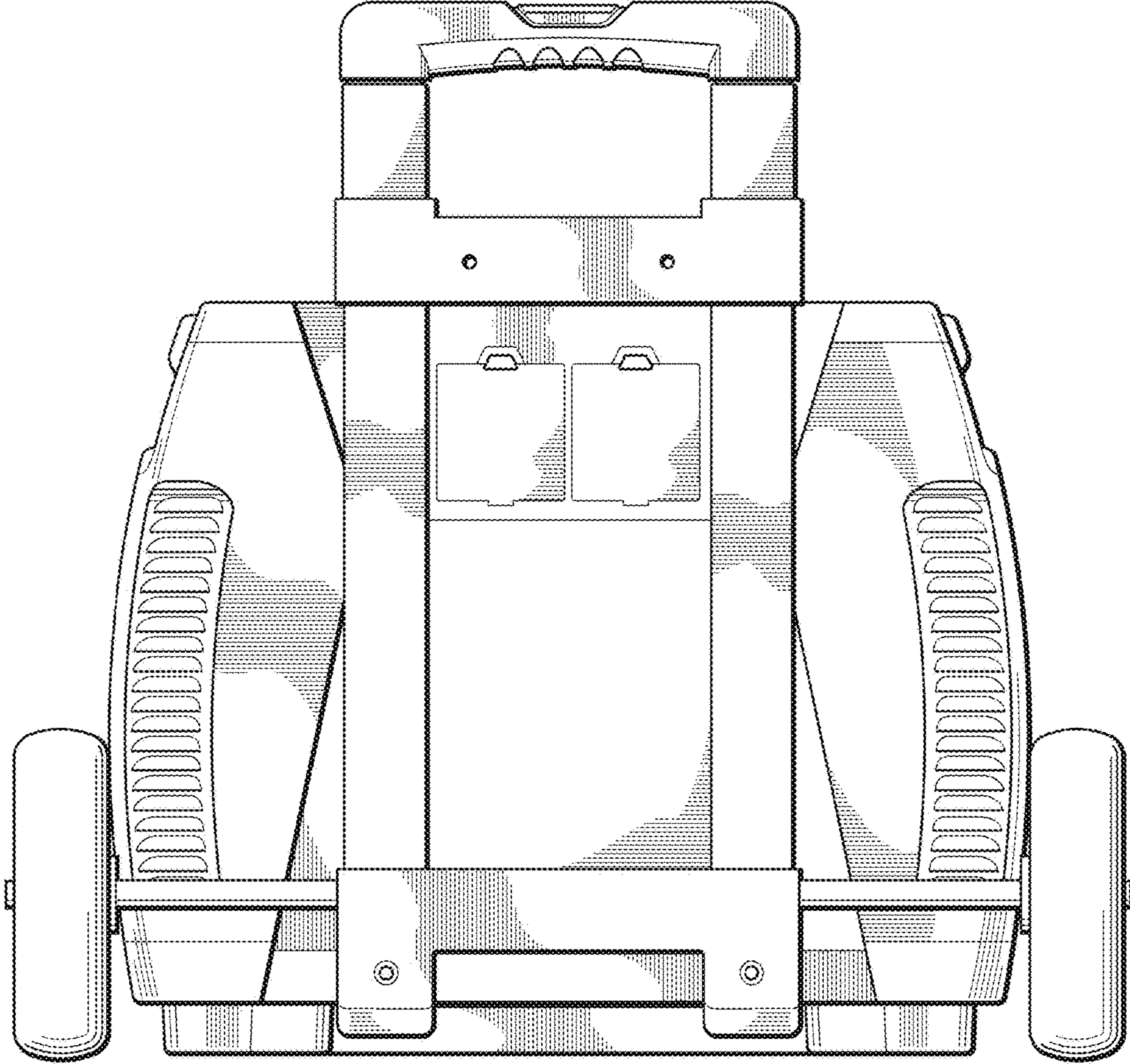


FIG. 3

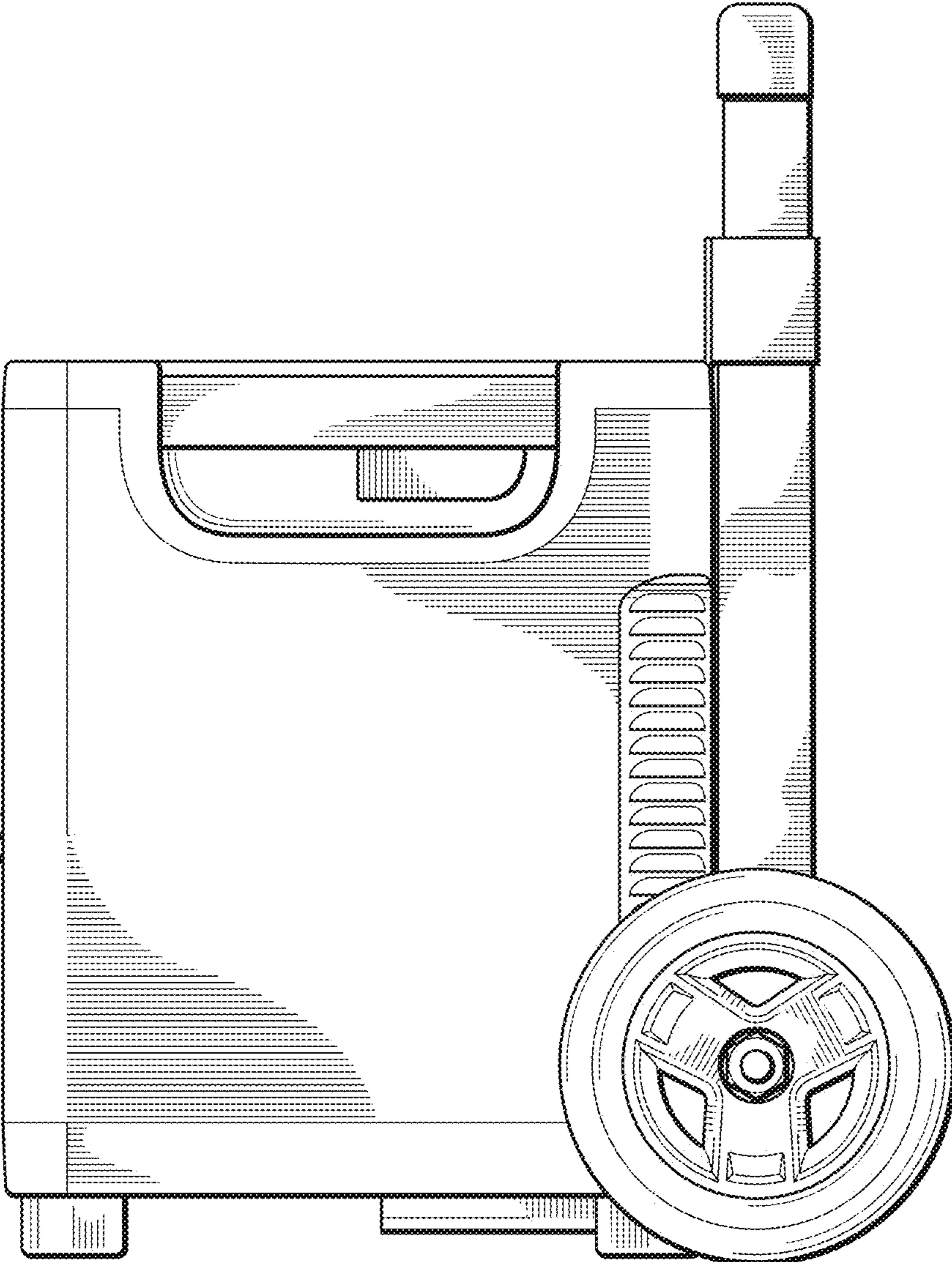


FIG. 4

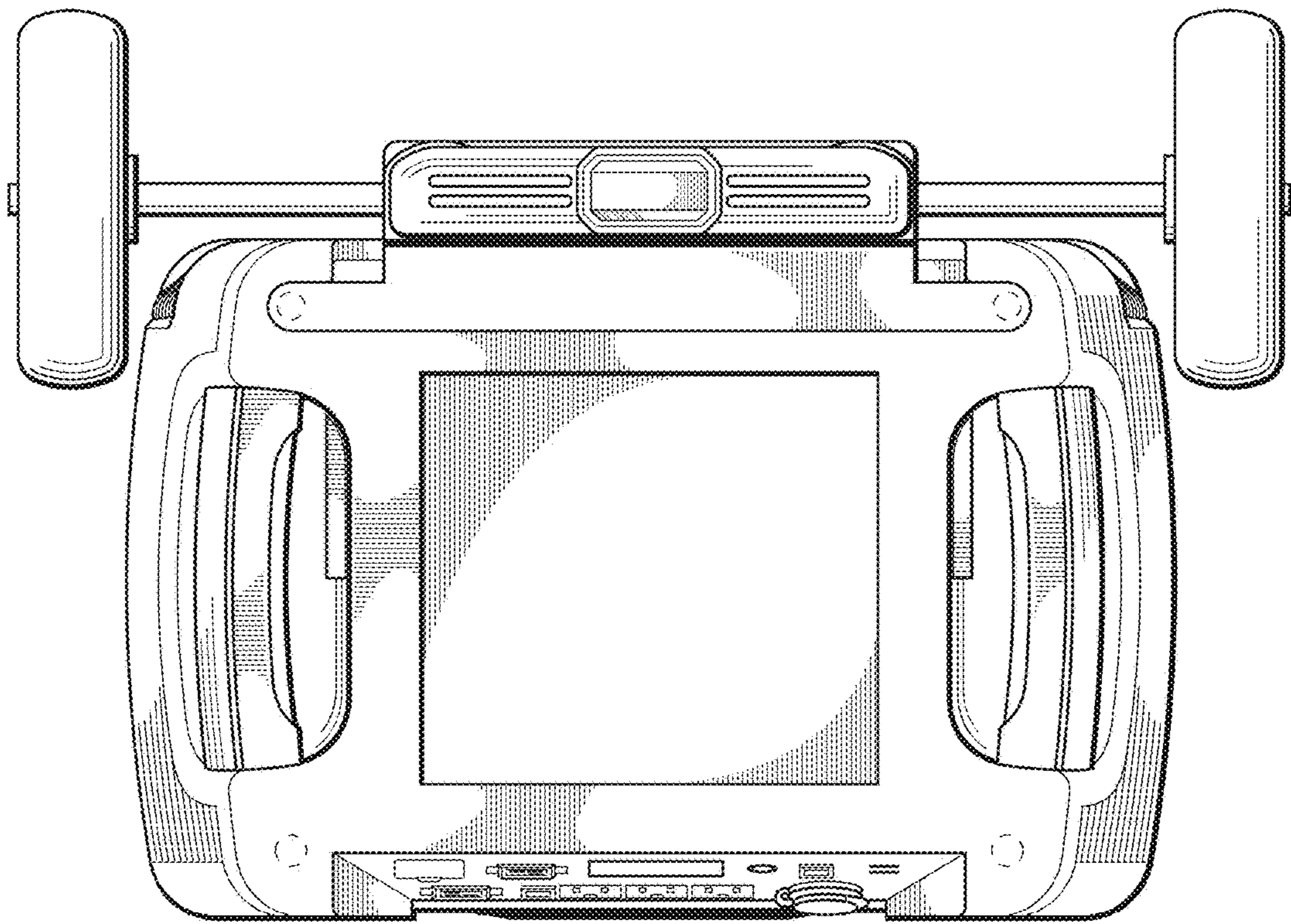


FIG. 5

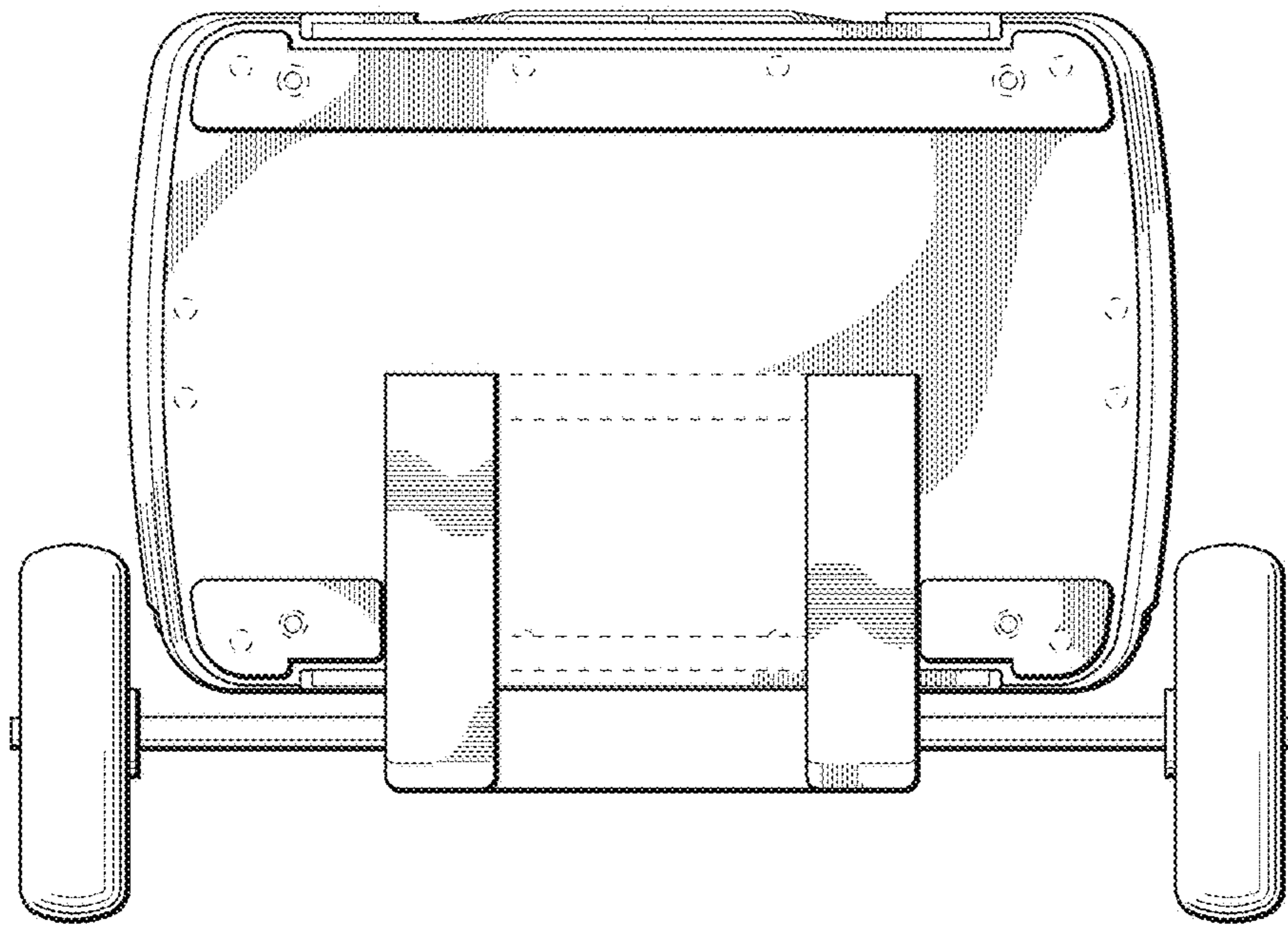


FIG. 6