



US00D802529S

(12) **United States Design Patent** (10) **Patent No.:** **US D802,529 S**
Andersson (45) **Date of Patent:** **** Nov. 14, 2017**

(54) **CHARGER FOR WEARABLE HEALTH MONITOR**

(71) Applicant: **KONINKLIJKE PHILIPS N.V.**,
Eindhoven (NL)
(72) Inventor: **Jens Peter Kophmann Andersson**,
Amsterdam (NL)
(73) Assignee: **KONINKLIJKE PHILIPS N.V.**,
Eindhoven (NL)

(**) Term: **15 Years**

(21) Appl. No.: **35/501,230**

(22) Filed: **Jan. 18, 2016**

(80) **Hague Agreement Data**

Int. Filing Date: **Jan. 18, 2016**
Int. Reg. No.: **DM/089016**
Int. Reg. Date: **Jan. 18, 2016**
Int. Reg. Pub. Date: **Jul. 22, 2016**

(30) **Foreign Application Priority Data**

Aug. 3, 2015 (EM) 002747741-0001

(51) **LOC (10) Cl.** **13-02**

(52) **U.S. Cl.**
USPC **D13/108**

(58) **Field of Classification Search**
USPC D13/108, 107; 320/112, 115, 111, 107;
307/66; 363/146; 361/679.44; 439/131
CPC H02J 7/0091; H02J 7/0045; H02J 7/0042;
H01M 2/105; H01R 24/66; G06F 1/1632;
G06F 1/1616; A61M 5/1413

See application file for complete search history.

(56) **References Cited**

U.S. PATENT DOCUMENTS

4,829,226 A * 5/1989 Nakamura H02J 7/0091
320/112
5,225,763 A * 7/1993 Krohn A61M 5/1413
320/115
D346,583 S * 5/1994 Mohri D13/108
5,611,701 A * 3/1997 Hahn H01R 24/66
439/131
5,627,450 A * 5/1997 Ryan G06F 1/1616
361/679.44
5,635,814 A * 6/1997 Afzal H01M 2/105
320/111
5,689,413 A * 11/1997 Jaramillo H02J 7/0042
363/146
6,046,571 A * 4/2000 Bovio G06F 1/1632
320/107
6,222,342 B1 * 4/2001 Eggert H02J 7/0045
307/66
7,746,029 B2 * 6/2010 Toya H02J 7/0042
320/107
D719,507 S * 12/2014 Ogihara D13/108
D744,418 S * 12/2015 Ogihara D13/108

* cited by examiner

Primary Examiner — Rhea Shields

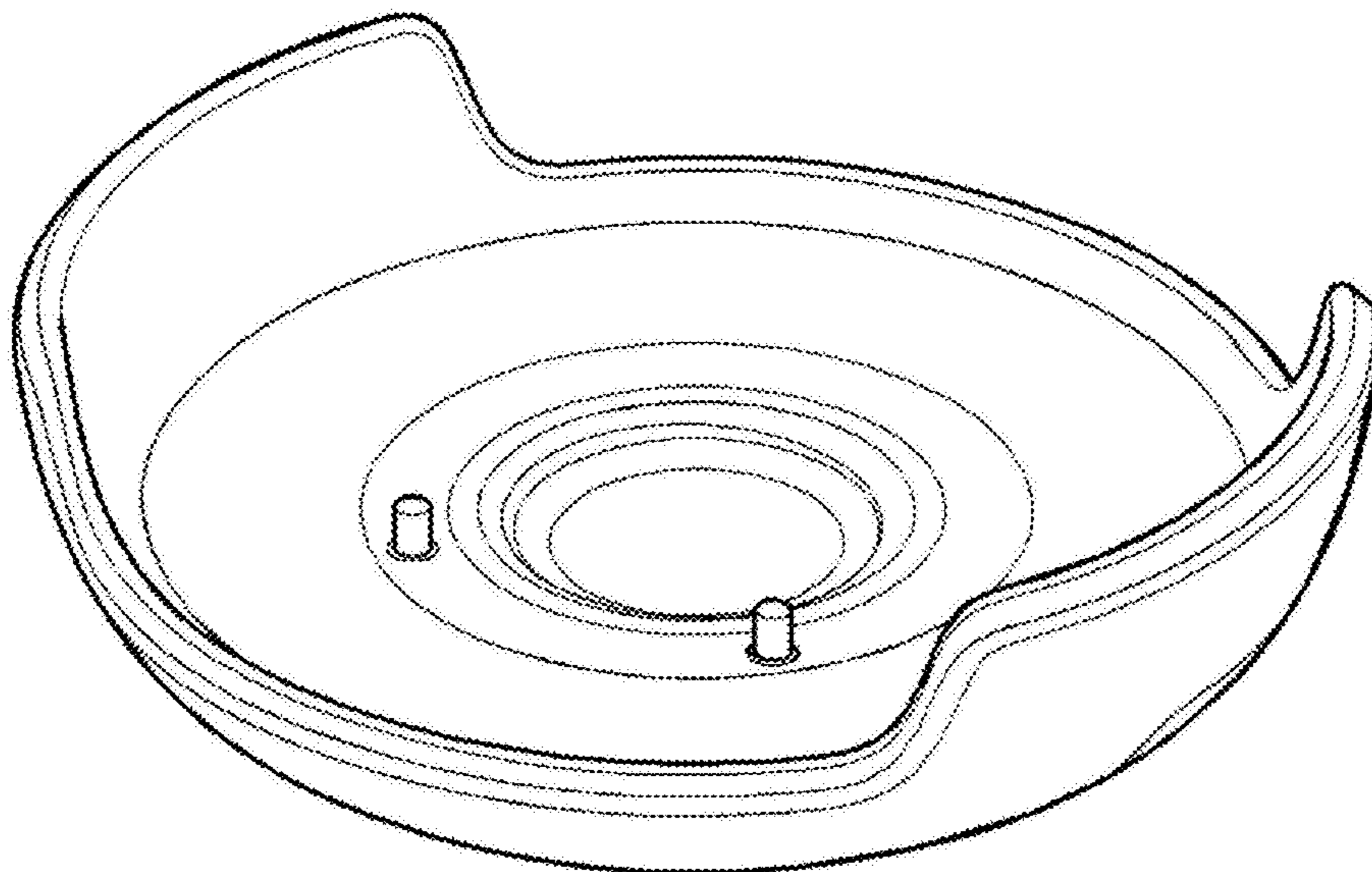
(57) **CLAIM**

The ornamental design for a charger for wearable health monitor, as shown and described.

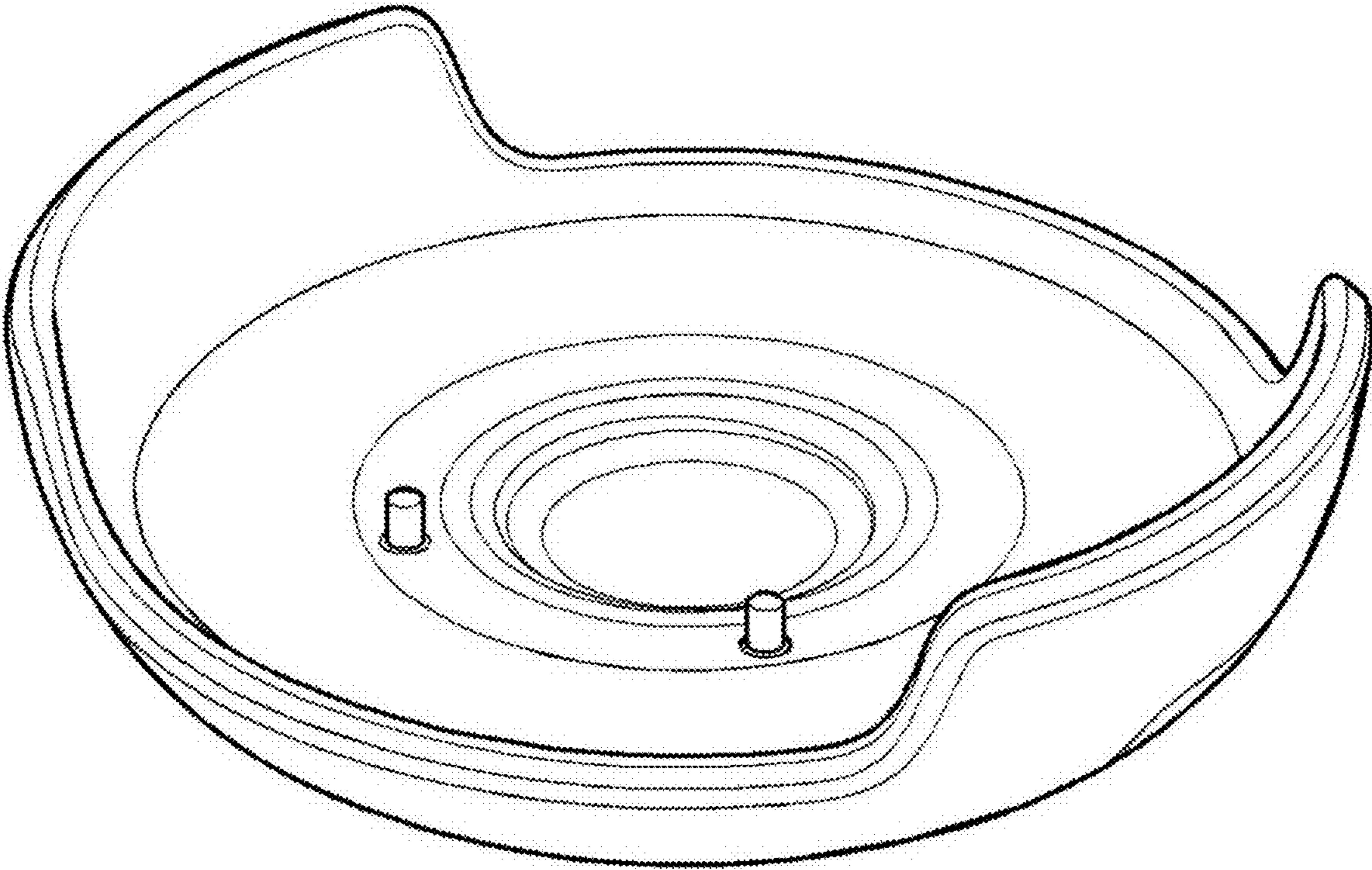
DESCRIPTION

1. Charger for wearable health monitor
1.1 is a perspective view;
1.2 is a side view;
1.3 is a side view;
1.4 is a rear view;
1.5 is a front view;
1.6 is a top view and
1.7 is a bottom view.

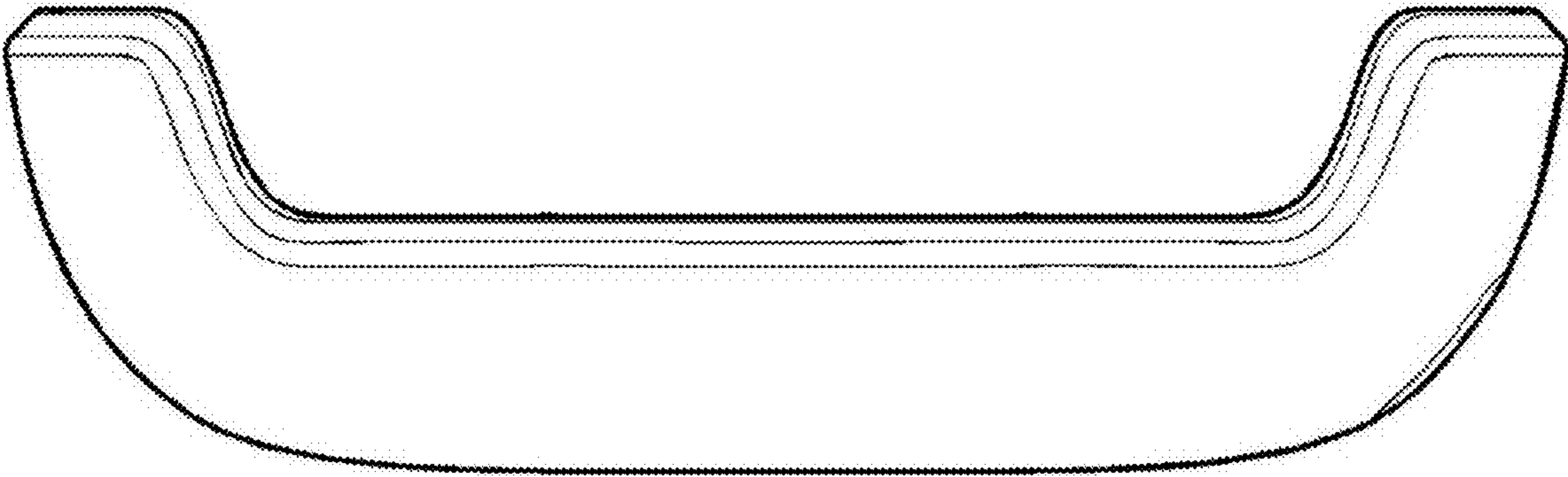
1 Claim, 7 Drawing Sheets



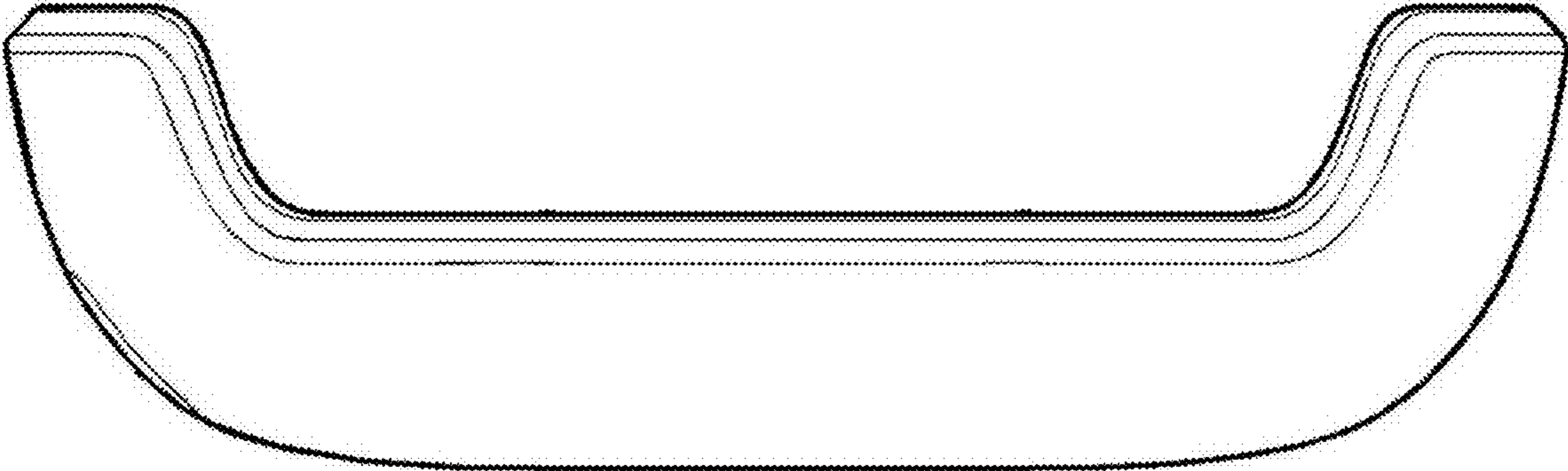
1.1



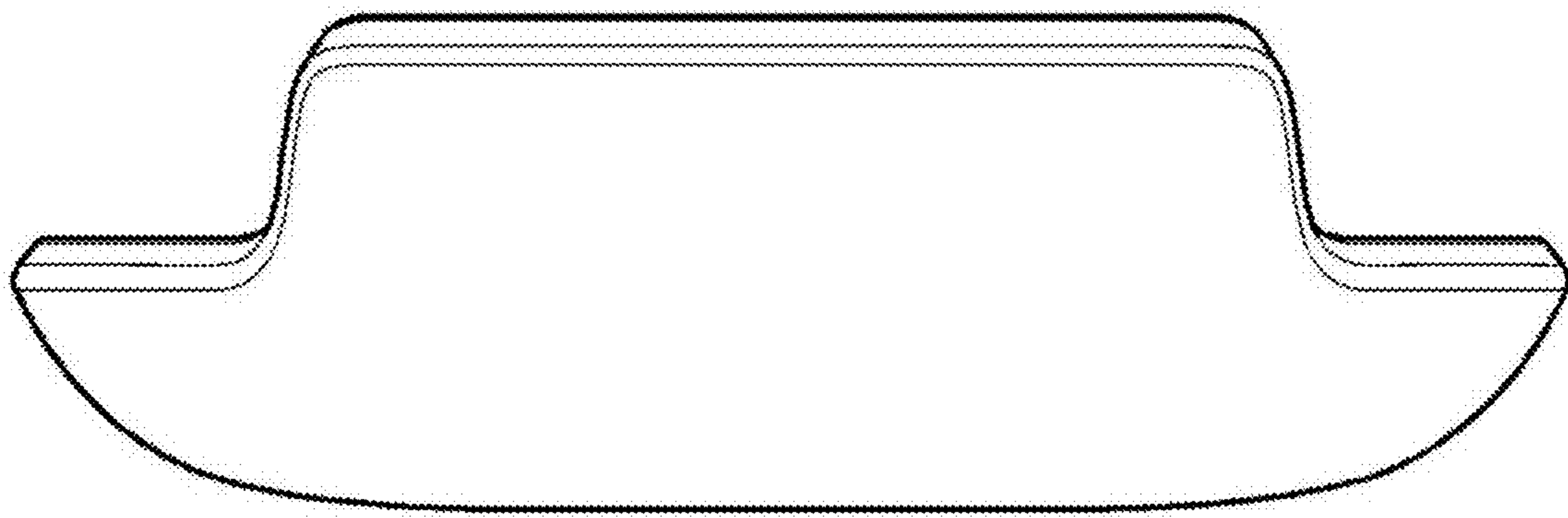
1.2



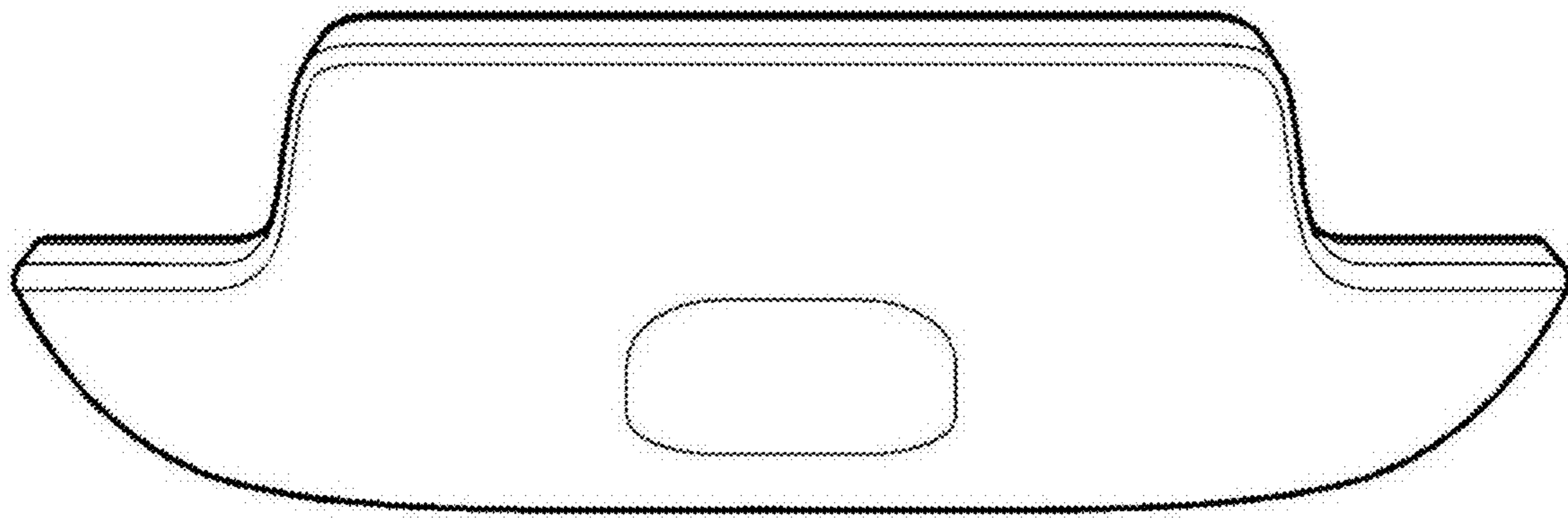
1.3



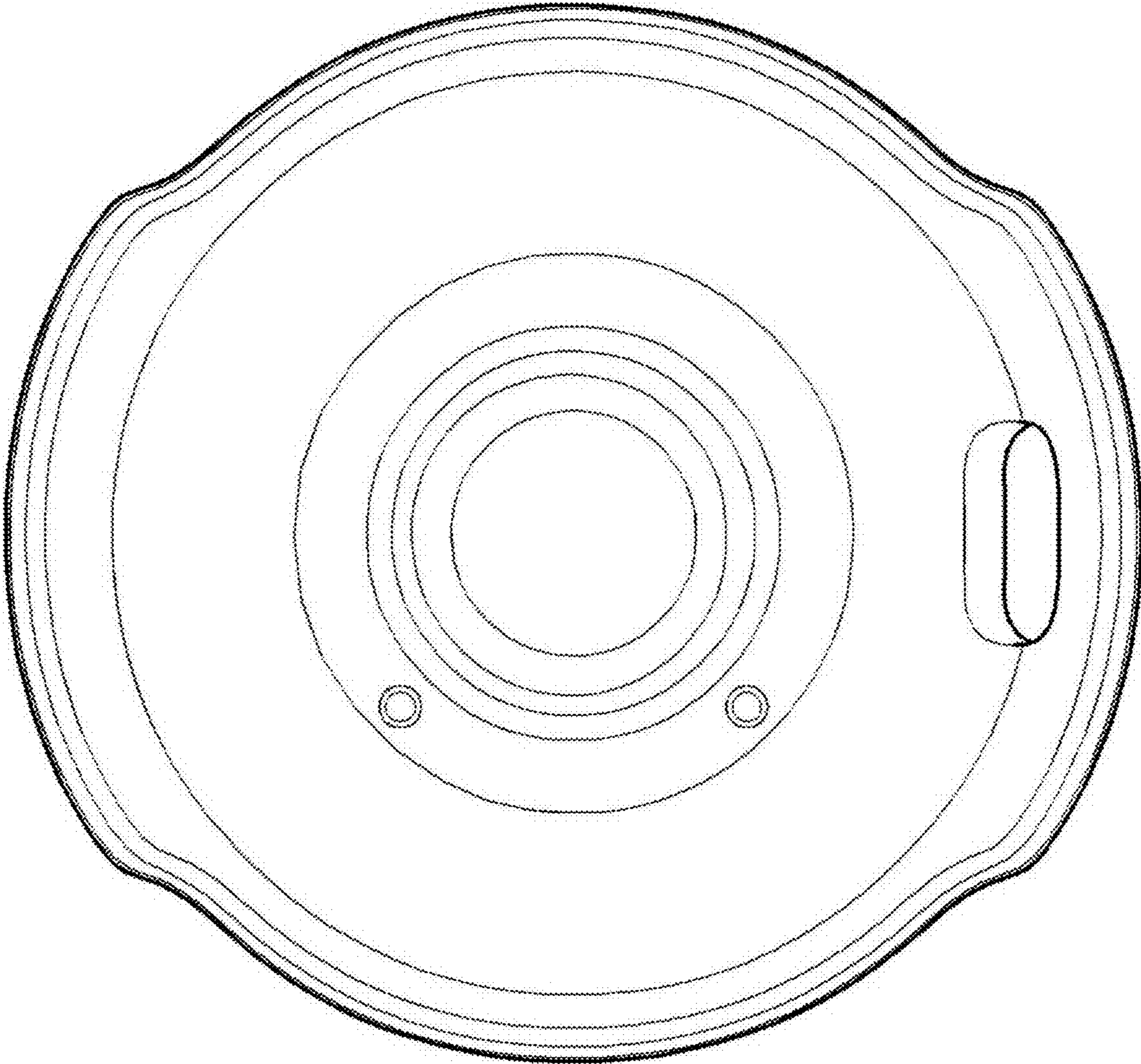
1.4



1.5



1.6



1.7

