



US00D802528S

(12) **United States Design Patent** (10) **Patent No.:** **US D802,528 S**
Zhang et al. (45) **Date of Patent:** **** Nov. 14, 2017**

- (54) **BATTERY**
- (71) Applicant: **Clarius Mobile Health Corp.**, Burnaby (CA)
- (72) Inventors: **Binda Zhang**, Burnaby (CA); **Ryan Lee**, Victoria (CA)
- (73) Assignee: **Clarius Mobile Health Corp.**, Burnaby, British Columbia (CA)
- (**) Term: **15 Years**
- (21) Appl. No.: **29/579,076**
- (22) Filed: **Sep. 27, 2016**
- (51) **LOC (10) Cl.** **13-02**
- (52) **U.S. Cl.**
USPC **D13/103**
- (58) **Field of Classification Search**
USPC D13/102–106, 110, 118–119, 184
CPC Y02E 60/12; Y02E 60/122; Y02E 60/124;
Y02E 60/50; H01M 2/02; H01M 2/022;
H01M 2/0202; H01M 2/0207; H01M 2/0212; H01M 2/1061; H01M 2/1022;
H01M 2/1055; H01M 2/1066; H01M 2/105; H01M 2/204; H01M 10/4257;
H01M 10/0436; H01M 10/48
See application file for complete search history.

D597,483 S *	8/2009	Wahl	D13/103
D632,648 S	2/2011	Yang		
D705,189 S *	5/2014	Chovin	D14/159
D758,308 S *	6/2016	Choo	D13/108
D762,566 S *	8/2016	Tea	D13/103
D791,695 S *	7/2017	Bergman	D13/103
2010/0209743 A1 *	8/2010	Koh	H01M 2/0404 429/7

OTHER PUBLICATIONS

Clarius Wireless Ultrasound Scanner, by Clarius Mobile Health, published on Mar. 11, 2016 on youtube.com, retrieved on Sep. 5, 2017, retrieved from the Internet URL: <https://www.youtube.com/watch?v=azE18v5BPRY>.*

* cited by examiner

Primary Examiner — Rosemary K Tarcza
Assistant Examiner — Alison M Ofstun

(74) *Attorney, Agent, or Firm* — Julian Ho

(57) **CLAIM**

The ornamental design for a battery, as shown and described.

DESCRIPTION

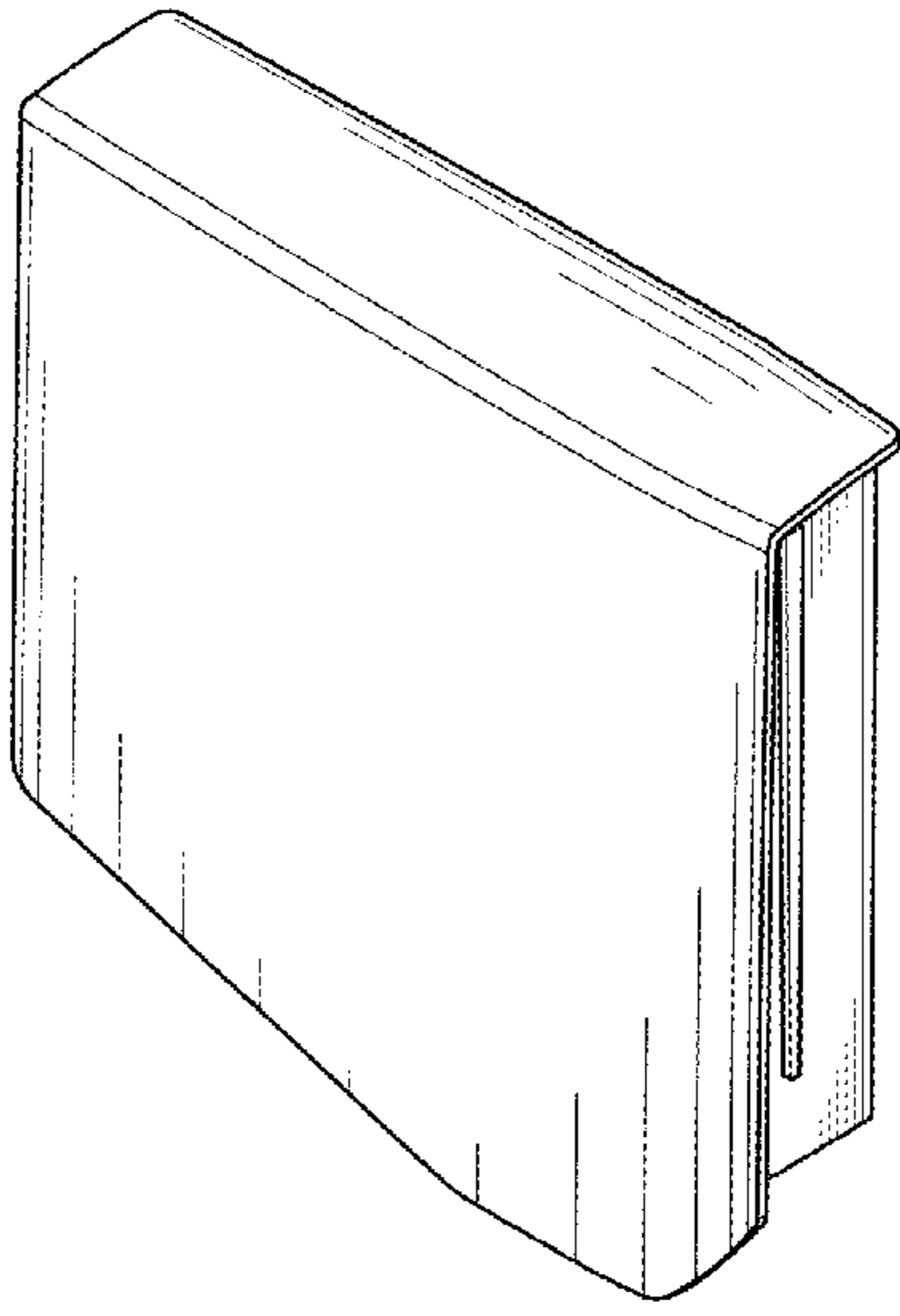
FIG. 1 is a front perspective view of a battery, showing our new design;
FIG. 2 is a rear perspective view thereof;
FIG. 3 is a rear view thereof;
FIG. 4 is a top view thereof;
FIG. 5 is a right side view thereof;
FIG. 6 is a front view thereof;
FIG. 7 is a bottom view thereof; and,
FIG. 8 is a left side view thereof.
The design is shown in solid lines in the drawings. The broken lines in the figures represent portions of the article which form no part of the claimed design.
The relatively light shade lines on the surface portions indicate contour and not surface decorations.

1 Claim, 3 Drawing Sheets

(56) **References Cited**

U.S. PATENT DOCUMENTS

D345,341 S *	3/1994	Tattari	D13/119
D372,474 S *	8/1996	Ford	D13/184
D400,496 S	11/1998	Barber et al.		
D434,722 S	12/2000	Zolyomi et al.		
D466,112 S *	11/2002	Suzuki	D14/240
D476,948 S *	7/2003	Mitchell	D13/103
D507,523 S *	7/2005	Resch	D13/103
D526,612 S *	8/2006	Sugeno	D13/103
D529,437 S *	10/2006	Miyashita	D13/103



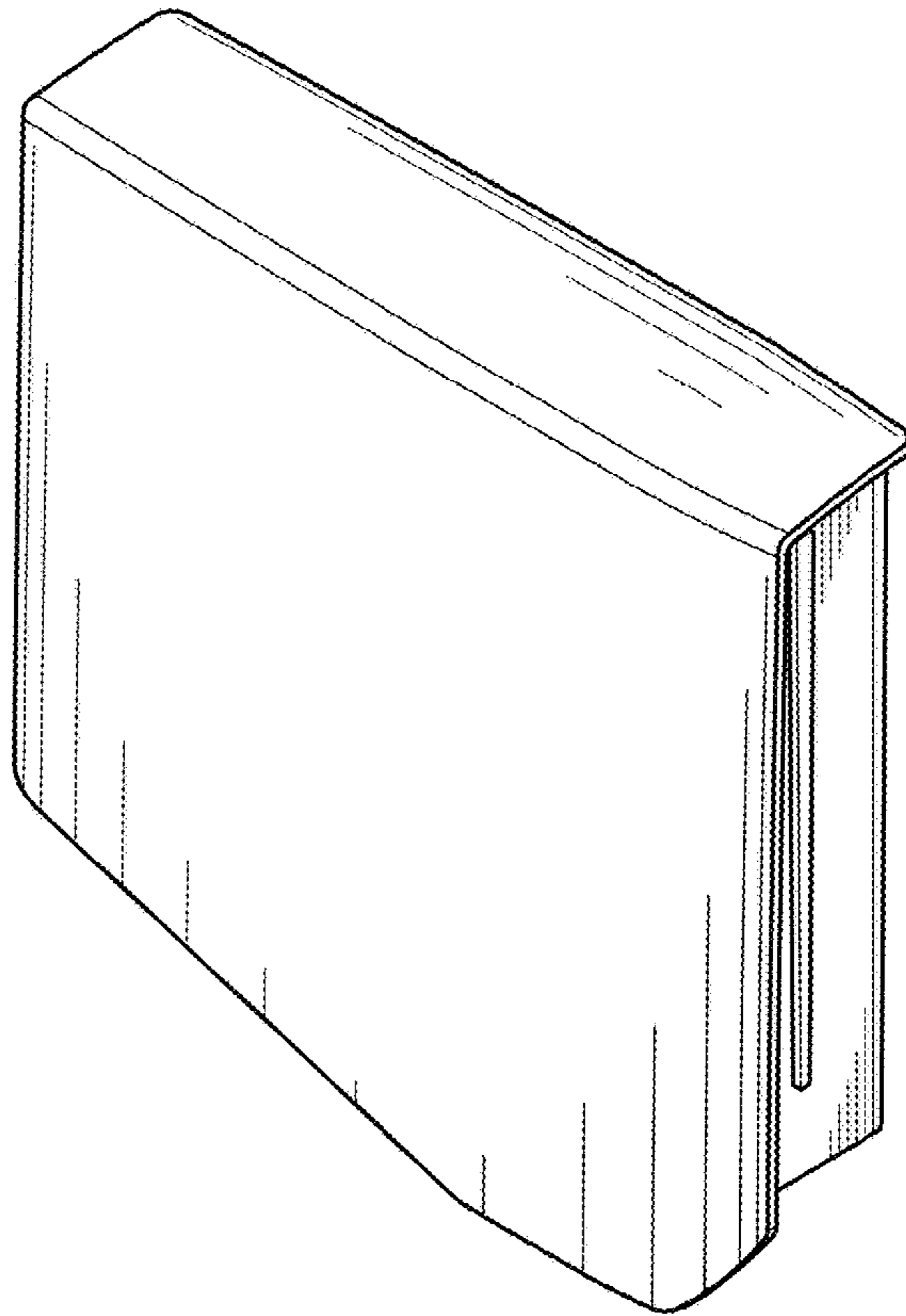


FIG. 1

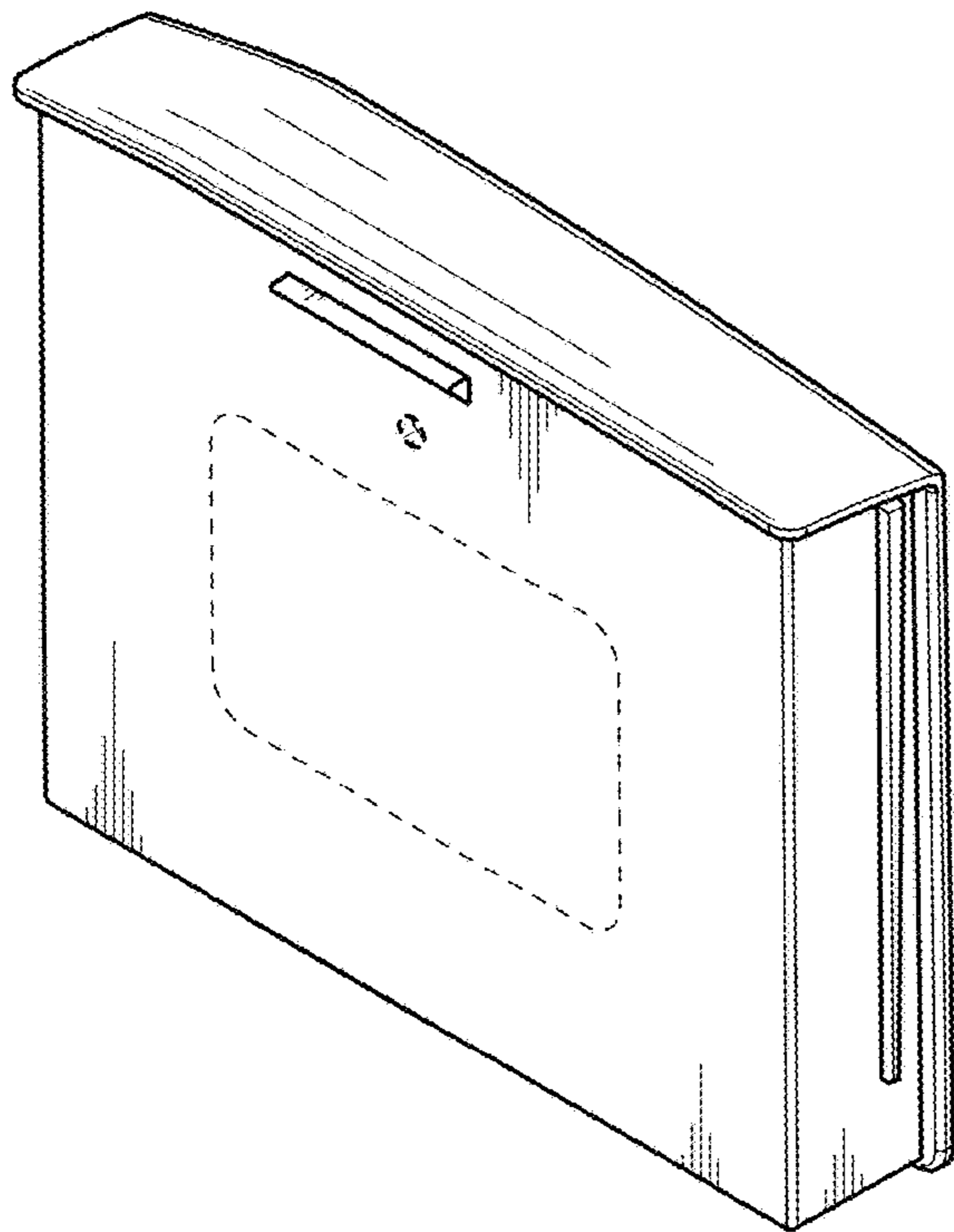


FIG. 2

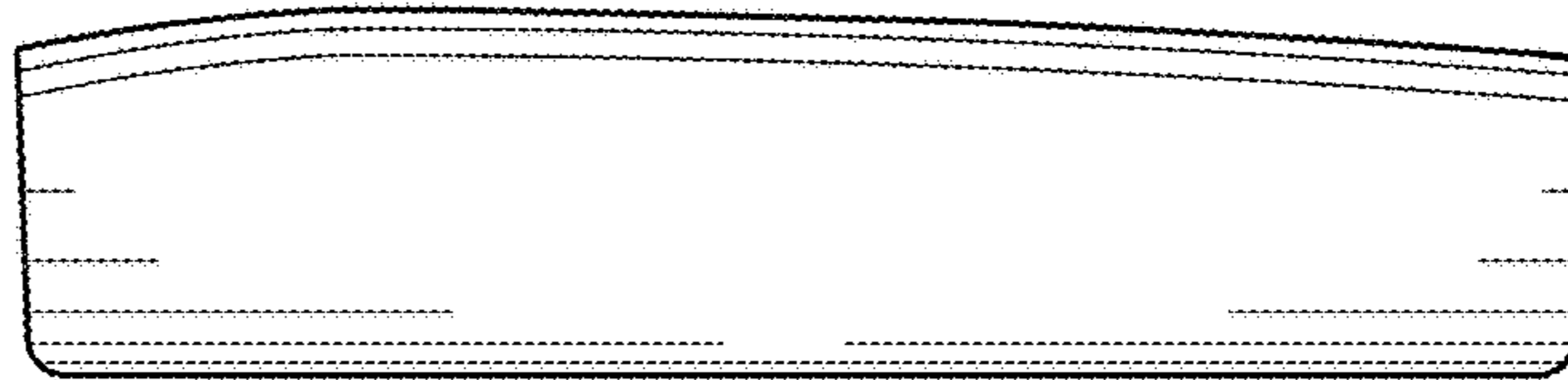


FIG. 4

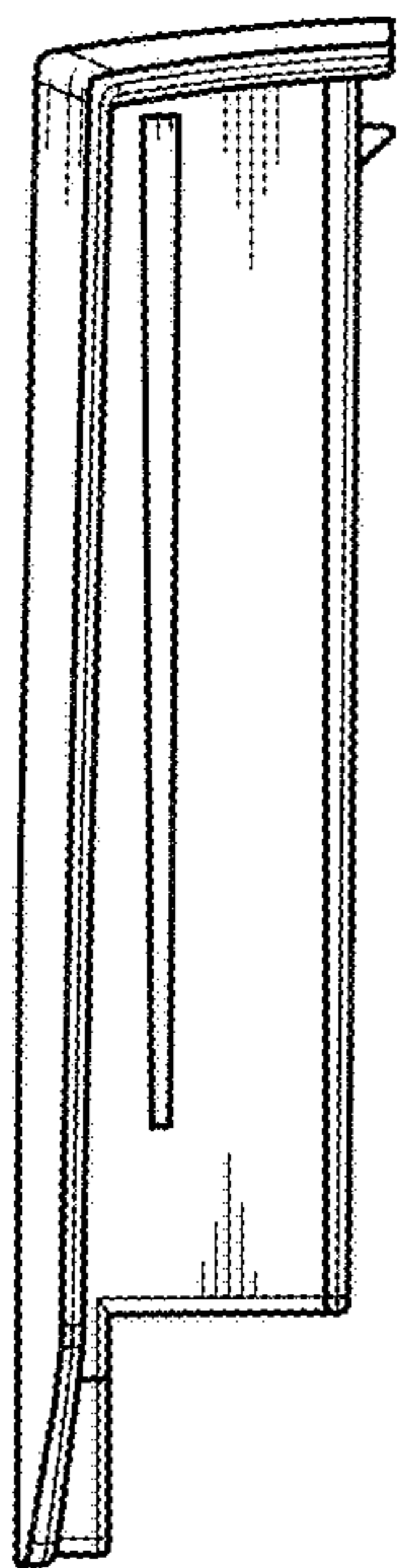


FIG. 5

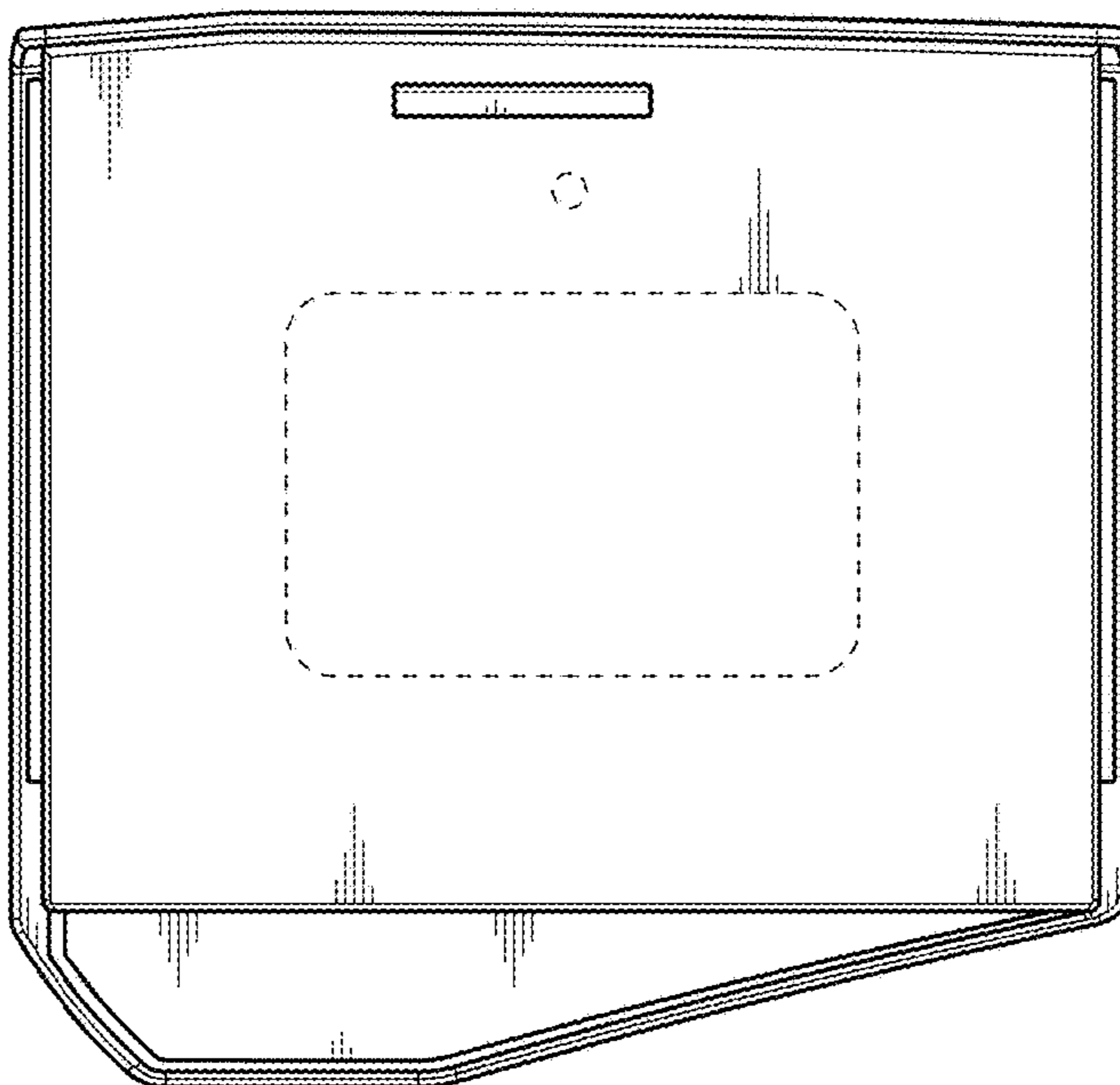


FIG. 3

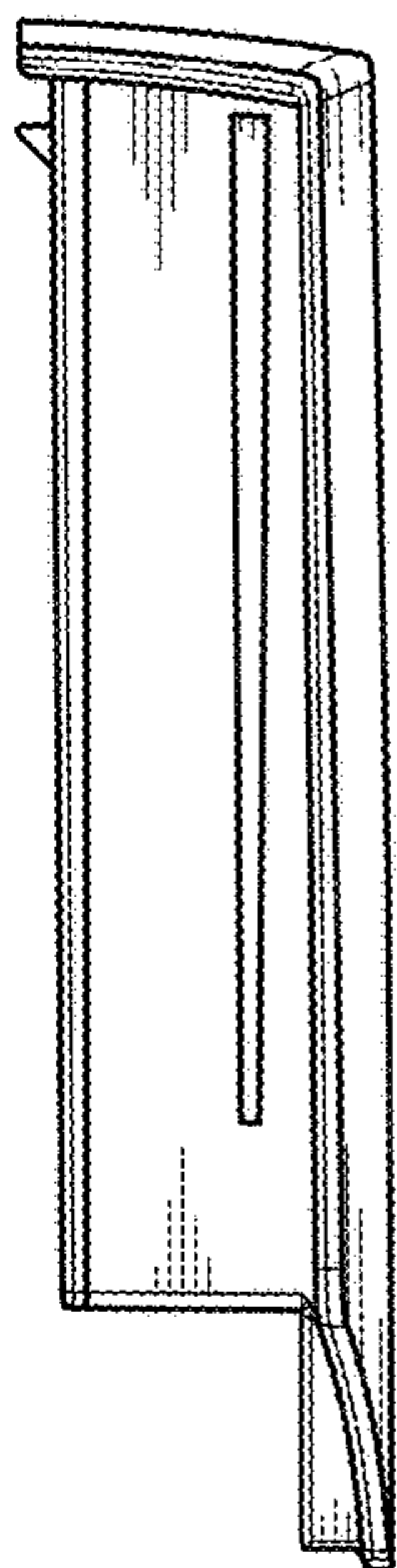


FIG. 8

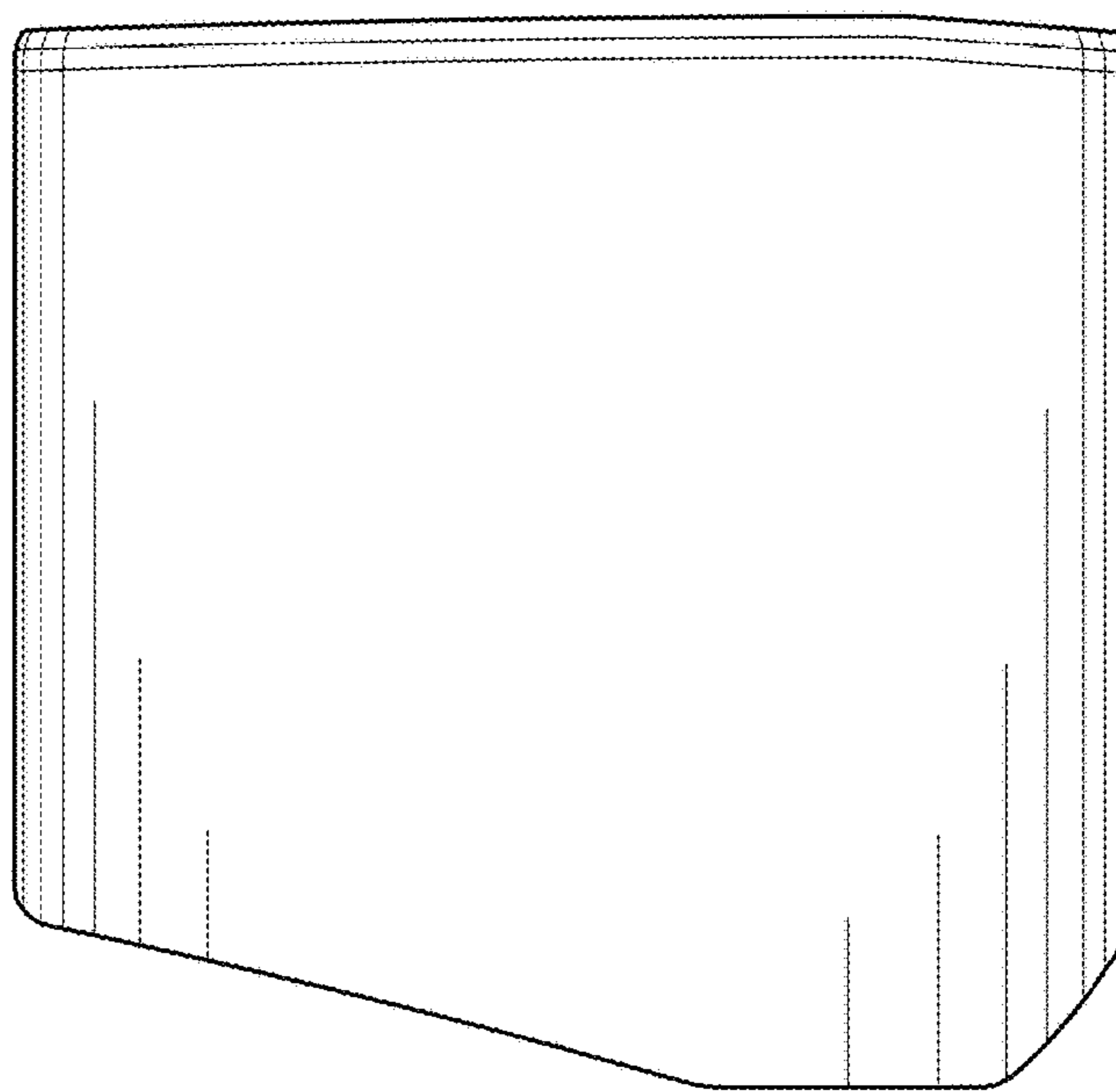


FIG. 6

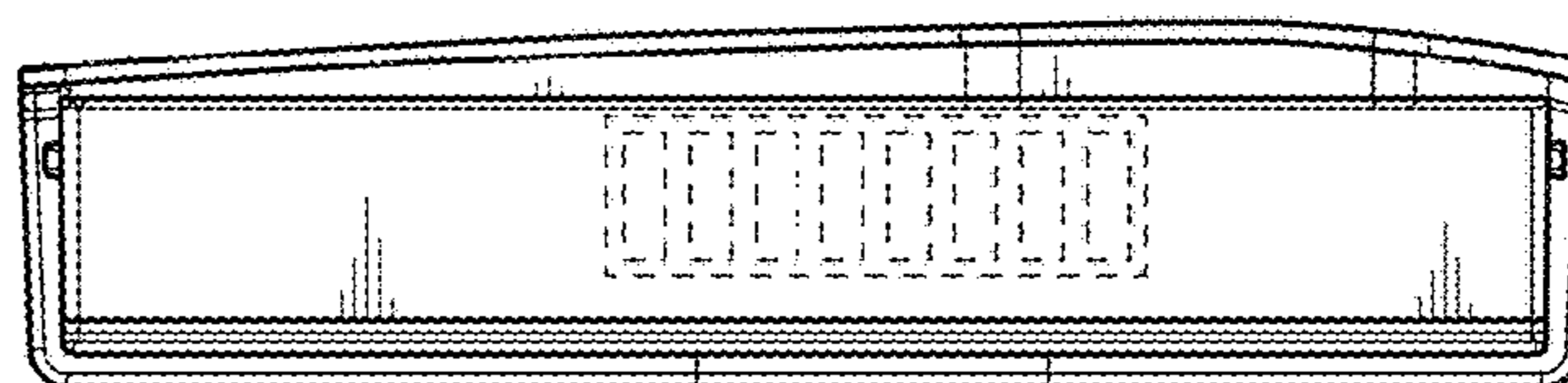


FIG. 7