



US00D802527S

(12) **United States Design Patent**
Cardoso et al.

(10) **Patent No.:** **US D802,527 S**

(45) **Date of Patent:** **** Nov. 14, 2017**

(54) **STRUCTURAL SUPPORT FOR SOLAR ENVELOPE AND SOLAR COLLECTOR**

(71) Applicant: **ALVA ALTA**, Lisbon (PT)

(72) Inventors: **Paulo A. Cardoso**, Lisbon (PT); **Daniel Caramelo**, Lisbon (PT)

(73) Assignee: **ALVA ALTA**, Lisbon (PT)

(**) Term: **15 Years**

(21) Appl. No.: **29/575,987**

(22) Filed: **Aug. 30, 2016**

Related U.S. Application Data

(62) Division of application No. 29/528,200, filed on May 27, 2015, now Pat. No. Des. 768,282.

(51) **LOC (10) Cl.** **13-02**

(52) **U.S. Cl.**
USPC **D13/102**

(58) **Field of Classification Search**
USPC D13/102; D23/323, 328, 333, 335, 336, D23/337, 341, 352, 357, 370, 385, 386, D23/397, 399, 400, 406, 411, 413, 499; D11/143, 144

CPC B64C 11/04; B64C 11/16; B64C 11/18; B64C 11/20; F03D 3/062; F03D 11/04; F04D 19/002; F04D 25/068; F04D 25/088; F24F 1/0018

See application file for complete search history.

(56) **References Cited**

U.S. PATENT DOCUMENTS

D450,816 S * 11/2001 Bilotti D23/328
D475,320 S * 6/2003 Hensley D11/118
D477,062 S * 7/2003 Richard D23/332
D517,681 S * 3/2006 Butler D23/403
D558,139 S * 12/2007 Sharma D13/102

D558,547 S * 1/2008 Gildemeister D8/51
D577,332 S * 9/2008 Moore D13/102
D590,768 S * 4/2009 Feng D13/102
D600,200 S * 9/2009 Dimov D13/102
D605,585 S * 12/2009 Conger F24J 2/5241
D13/102
D618,166 S * 6/2010 Sanoner D13/102
D649,930 S * 12/2011 Lindor D13/102
D657,738 S * 4/2012 Mackler D13/102
D663,260 S * 7/2012 Fischer D13/102
D663,683 S * 7/2012 Fischer D13/102
D667,370 S * 9/2012 Arletti D13/102
D679,439 S * 4/2013 Lai D26/75

(Continued)

OTHER PUBLICATIONS

3-Prong Clamp, image post date Nov. 10, 2009, site visited Apr. 20, 2016, (online), <<https://www.tineye.com/search/e55252c2beab8c9a980d48414ba454912ec5f540/>>.*

(Continued)

Primary Examiner — Kevin Rudzinski

Assistant Examiner — Sean D Lough

(74) *Attorney, Agent, or Firm* — Fulwider Patton LLP

(57) **CLAIM**

The ornamental design for the structural support for solar envelope and solar collector, as shown and described.

DESCRIPTION

FIG. 1 is an elevated, perspective view of the structural support for solar envelope and solar collector showing our new design;

FIG. 2 is a front view thereof;

FIG. 3 is a rear view thereof;

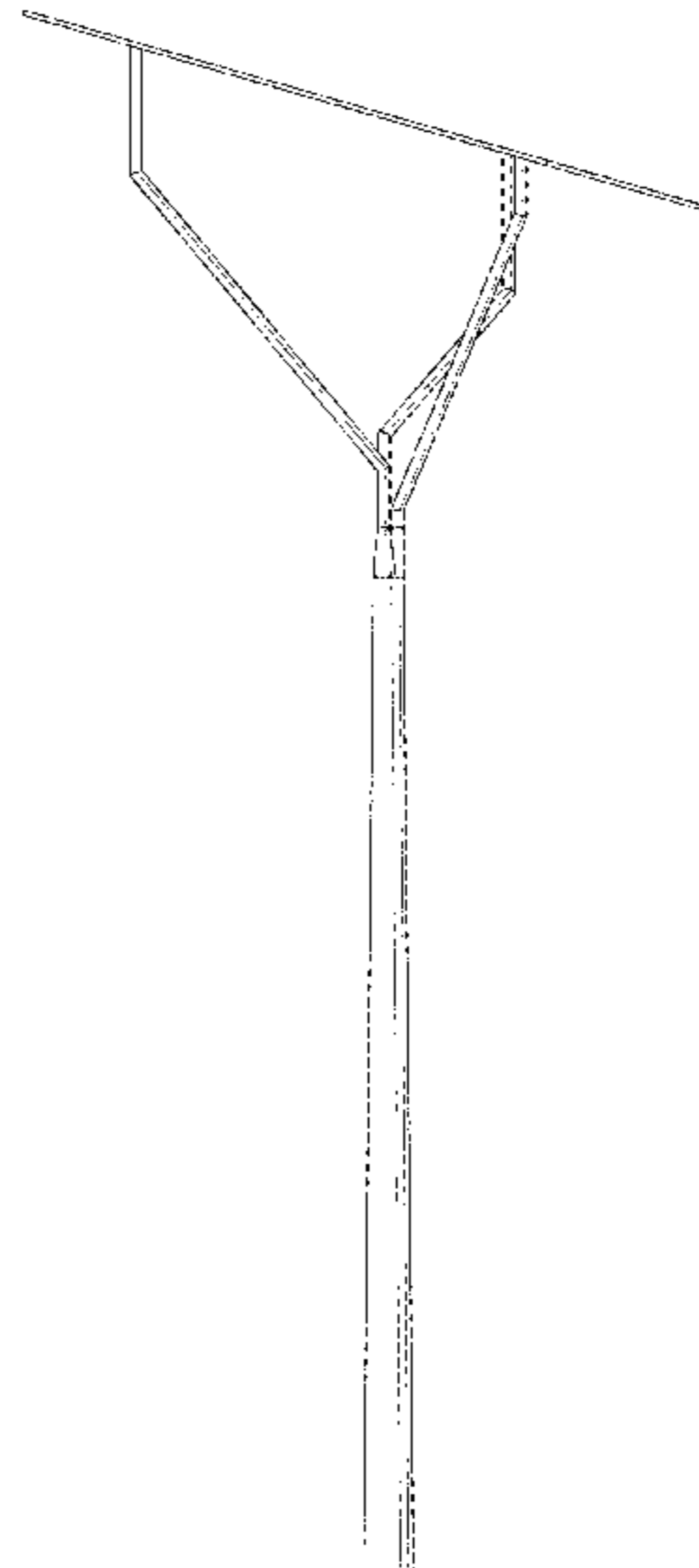
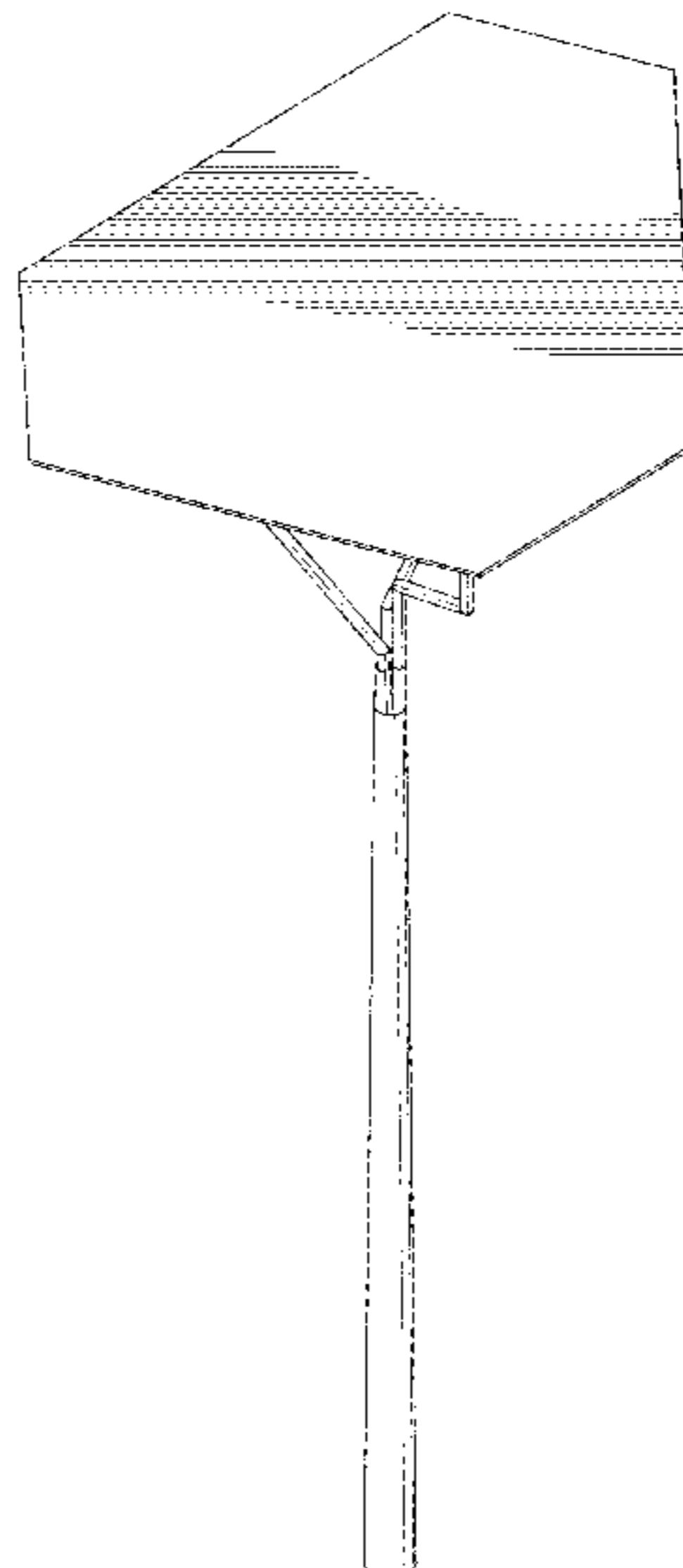
FIG. 4 is a left side view thereof;

FIG. 5 is a right side view thereof;

FIG. 6 is a top view thereof; and,

FIG. 7 is a bottom view thereof.

1 Claim, 6 Drawing Sheets



(56)

References Cited

U.S. PATENT DOCUMENTS

- D683,304 S * 5/2013 Crider D13/102
D685,725 S * 7/2013 Kunz D13/102
D688,625 S * 8/2013 Fulk D13/110
8,550,419 B2 * 10/2013 Hausner F24J 2/5232
126/696
D697,194 S * 1/2014 Hills D23/403
D698,308 S * 1/2014 Crider D13/102
D701,828 S * 4/2014 Garrett-Schesch D13/102
D701,953 S * 4/2014 Hills D23/403
D707,342 S * 6/2014 Miller D23/406
D712,822 S * 9/2014 Brusaw D13/102
D716,290 S * 10/2014 Lim D14/314
D721,644 S * 1/2015 Shimada D13/102
D726,133 S * 4/2015 Krishnan D13/182
D730,277 S * 5/2015 Rangesh D13/102
D731,636 S * 6/2015 Hills D23/403
D734,316 S * 7/2015 Alvarez D14/307
D734,478 S * 7/2015 Labuschagne D24/200
D735,389 S * 7/2015 Dyson D26/63
D740,480 S * 10/2015 Thompson D26/90
D742,021 S * 10/2015 Labuschagne D24/200
9,167,636 B2 * 10/2015 Jin F21V 23/06
D744,132 S * 11/2015 Hollingworth D26/28
D744,686 S * 12/2015 Dyson D26/63
D745,992 S * 12/2015 Chen D26/106
D748,314 S * 1/2016 Leijh D26/63
D750,942 S * 3/2016 Mauro D8/1
D754,318 S * 4/2016 Thirouin D23/370
9,316,362 B2 * 4/2016 Lowenthal F21K 9/13
D755,669 S * 5/2016 Greczanik D11/132
D757,237 S * 5/2016 Gonzalez D23/328
D757,333 S * 5/2016 Ye D26/93
D757,420 S * 5/2016 Gjelaj D3/5
D757,987 S * 5/2016 Lee D26/102
D758,484 S * 6/2016 Kim D18/53
D765,590 S * 9/2016 Crist D13/102
D766,879 S * 9/2016 Park D14/211
D768,282 S * 10/2016 Cardoso D23/386
D768,908 S * 10/2016 Fisher D26/107
D770,988 S * 11/2016 Kim D13/180
9,488,158 B2 * 11/2016 Kamen F03D 3/005
D774,684 S * 12/2016 Velez D26/111
D777,970 S * 1/2017 Castelli D26/102
9,533,767 B2 * 1/2017 Kawano B64D 25/00
D778,485 S * 2/2017 Jasper D26/93
D778,486 S * 2/2017 Castelli D26/102
D780,369 S * 2/2017 Anastasiades D26/107
D780,979 S * 3/2017 Urquiola D26/88
D780,982 S * 3/2017 Starck D26/93
D781,490 S * 3/2017 Waldmann D26/107
D783,915 S * 4/2017 Kawasaki D32/43
D784,253 S * 4/2017 Aiken D13/102
D784,276 S * 4/2017 Tiner D13/182
D784,919 S * 4/2017 Aiken D13/102
D785,560 S * 5/2017 Aiken D13/102
D786,129 S * 5/2017 Chan D11/164
D786,419 S * 5/2017 Rindoks D23/386
- D787,736 S * 5/2017 Brittain D26/118
2008/0011288 A1 * 1/2008 Olsson E04D 13/033
126/576
2009/0313913 A1 * 12/2009 Malheiro De
Aragao E04H 12/12
52/40
2012/0270487 A1 * 10/2012 Tai F23L 17/10
454/1
2014/0233127 A1 * 8/2014 Cardoso F21S 8/086
359/888
2016/0102834 A1 * 4/2016 Yamada G02B 6/0061
362/511
2016/0130542 A1 * 5/2016 Wilson A01K 63/06
435/257.1
2016/0296107 A1 * 10/2016 Kubo A61B 1/0646
2017/0040758 A1 * 2/2017 Amir H01R 12/53
2017/0089346 A1 * 3/2017 Oleson F04D 25/088
2017/0089533 A1 * 3/2017 Souvandy F21S 9/037
2017/0093096 A1 * 3/2017 Huang H01R 13/7175
2017/0099426 A1 * 4/2017 Okunami H04N 5/23212
2017/0114789 A1 * 4/2017 Niemiec F04D 25/088
2017/0135226 A1 * 5/2017 Chen H05K 3/305

OTHER PUBLICATIONS

- Kiribati Shark-Toothed Sword, image post date Apr. 18, 2013, site visited Apr. 20, 2016, (online), <<https://wiki.ucl.ac.uk/display/BBCollabSupport/An+Ethnographic+Analysis+of+a+Kiribati+Shark-Toothed+Sword>>.*
Laparoscopy forceps curved 3 Prong Grasper Retriever, image post date , site visited Apr. 20, 2016, (online), <<http://www.ebay.com/itm/Weck-5mm-Laparoscopy-forceps-curved-3-Prong-Grasper-Retriever-/351096239028>>.*
Canopy of folded metal plates for urban park in Phoenix, image post date Aug. 18, 2015, site visited Apr. 20, 2016, (online), <<http://www.dezeen.com/2015/08/18/howeler-yoon-shadow-play-canopy-folded-metal-plates-urban-park-phoenix-arizona-pavilion/>>.*
American Gothic, image post date Jan. 28, 2004, site visited Apr. 20, 2016, (online), <<http://web.archive.org/web/20150905163957/http://www.sweet-transvestites.com/uk/RHPS/farmer-uk.htm>>.*
Solar Roadways hexagonal unit, image post date Apr. 24, 2014, site visited Apr. 20, 2016, (online), <<http://www.gizmag.com/solar-roadways-parking-lot/31780/>>.*
Hexagonal panels, image post date May 13, 2009, site visited Apr. 20, 2016, (online), <<http://www.greentechmedia.com/articles/read/an-ikea-for-solar-4652>>.*
Kinematic Solar Panels, image post date 2013, site visited Apr. 20, 2016, (online), <<http://depts.washington.edu/design13/?p=2441>>.*
Solar-Powered Wheelchair, image post date Sep. 23, 2014, site visited Apr. 20, 2016, (online), <<http://web.archive.org/web/20140923083403/http://360photography.in/?p=17837>>.*
Slow—moving—vehicle—emblem, image post date Oct. 8, 2010, site visited May 27, 2017, (online), <<https://www.tineye.com/search/c3559713ba71676dfb153db466206f173528ac45/>>.*

* cited by examiner

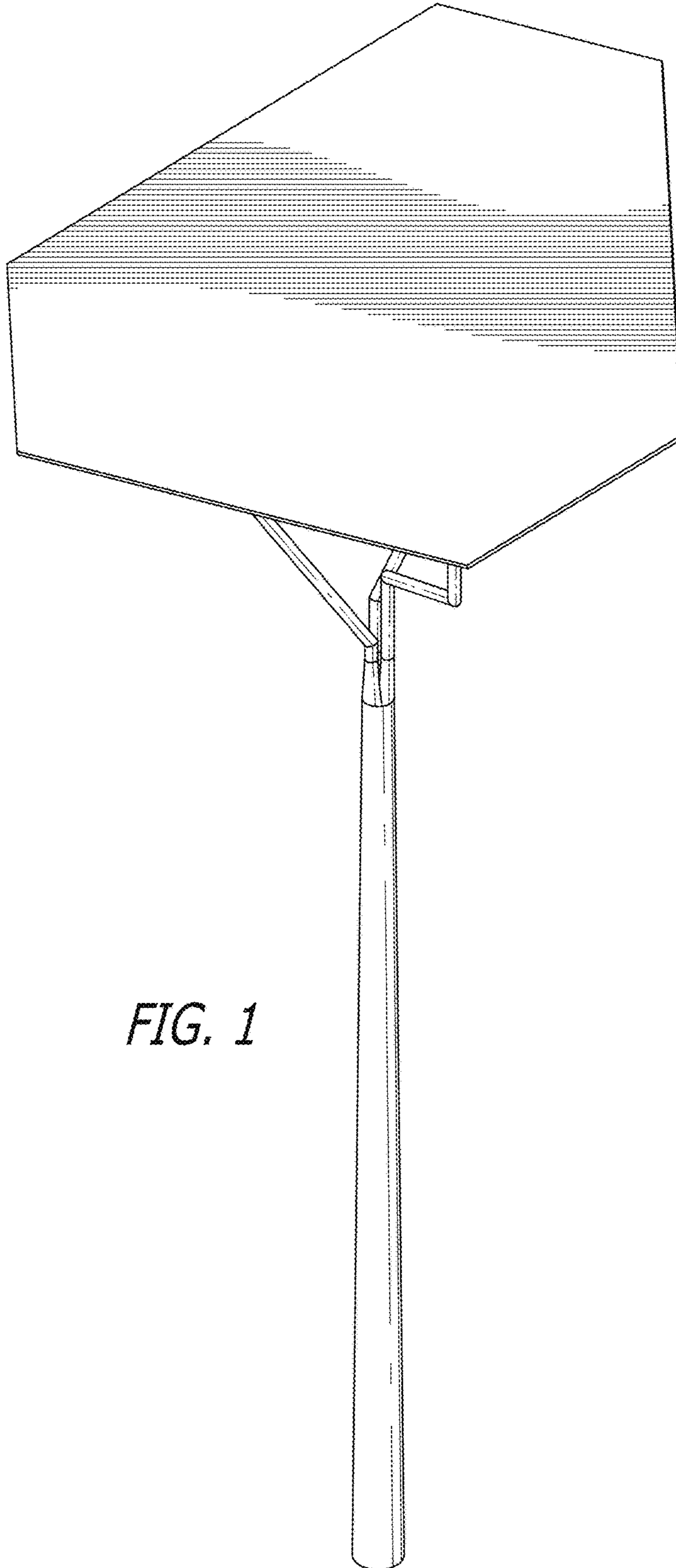


FIG. 1

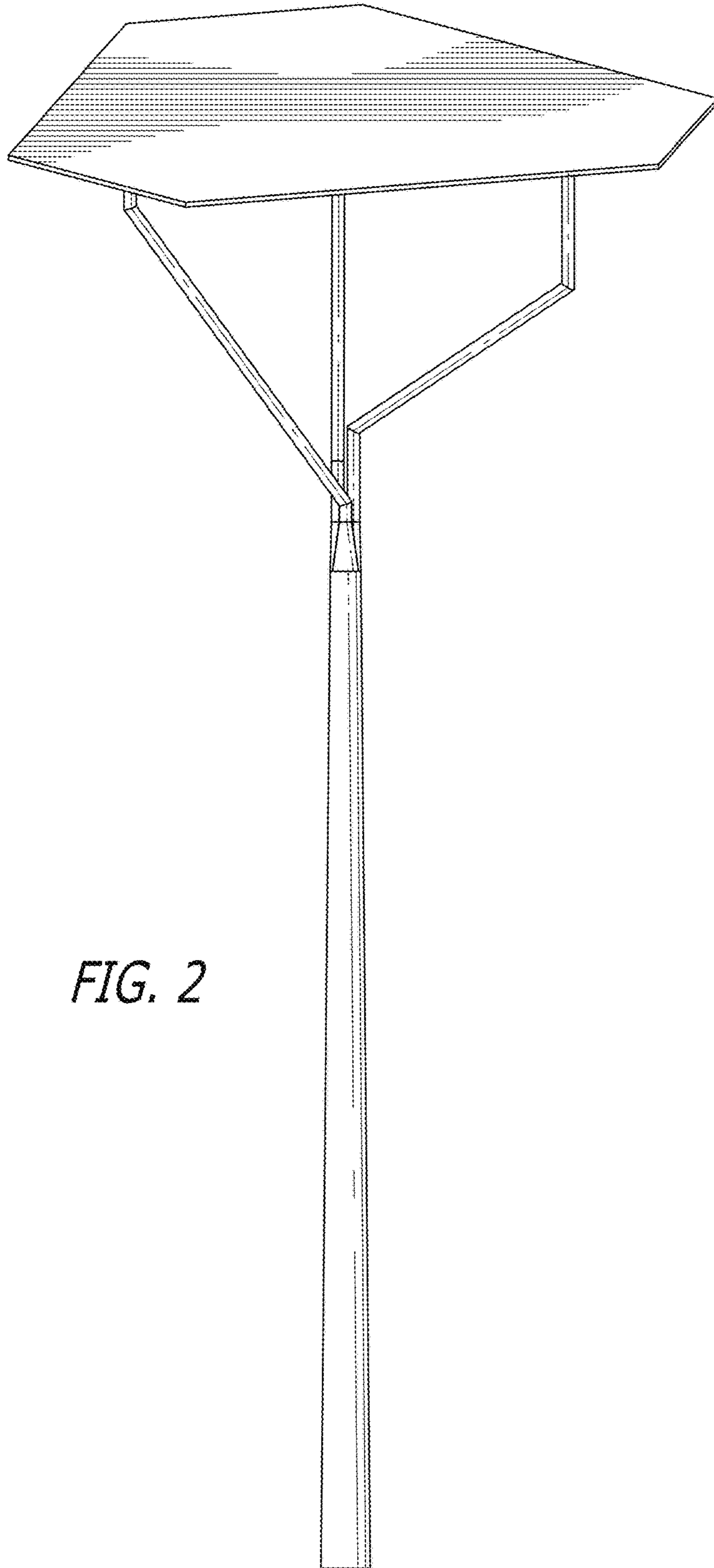


FIG. 2

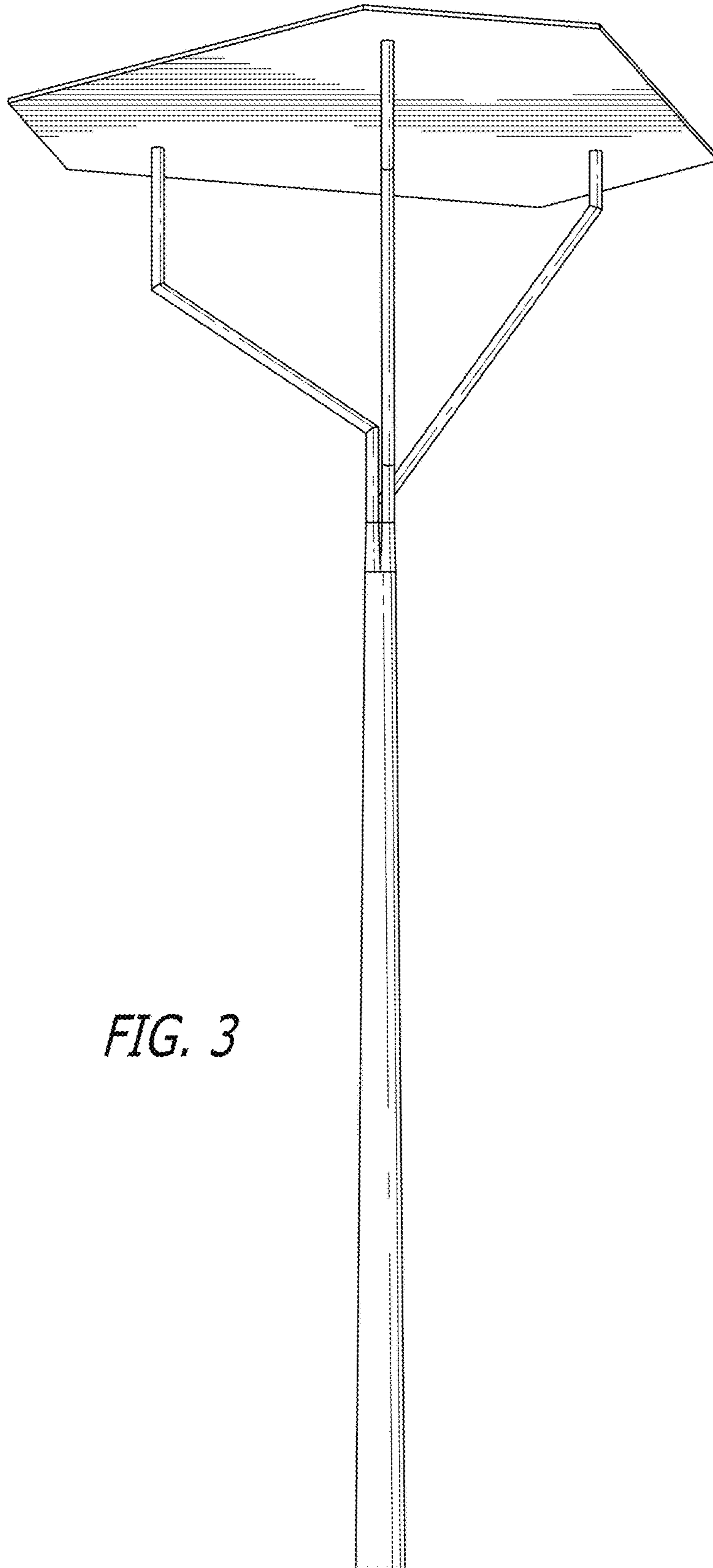


FIG. 3

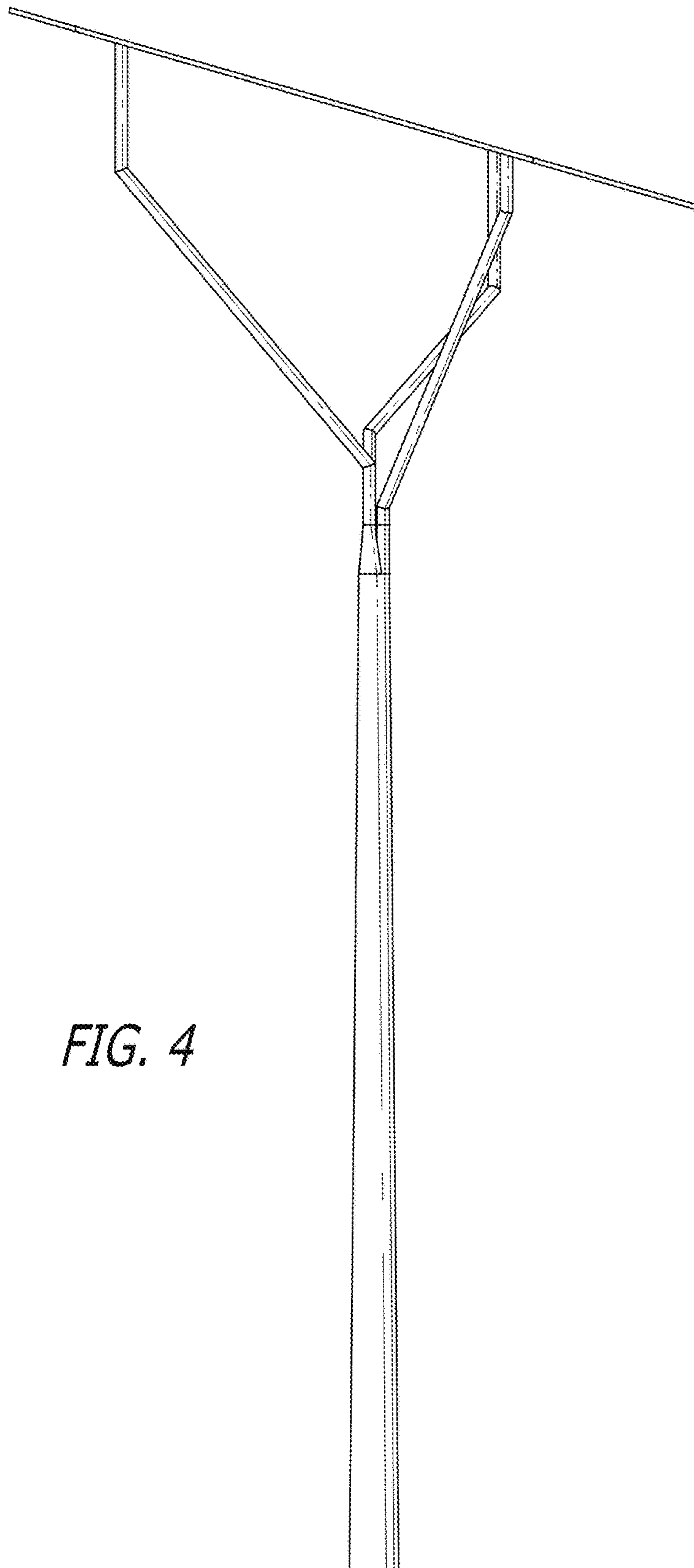


FIG. 4

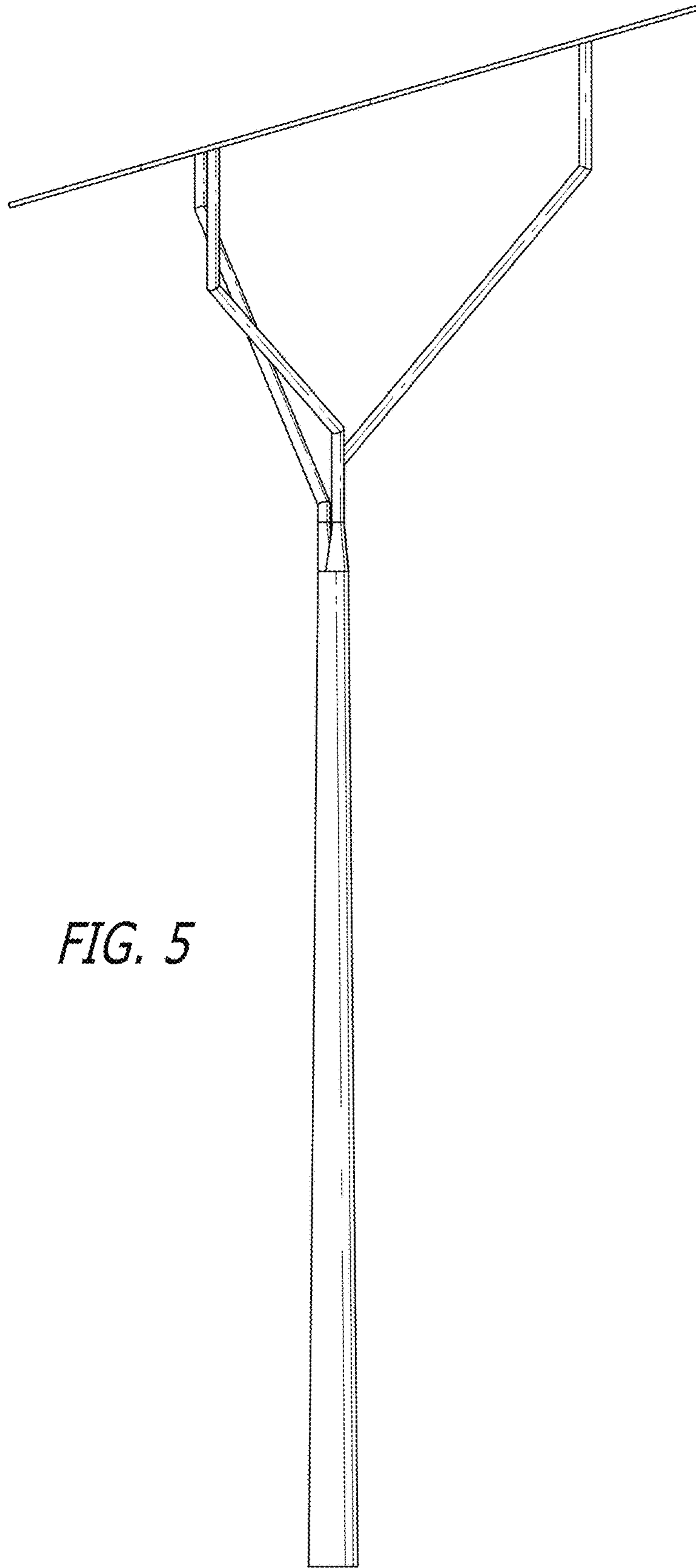


FIG. 5

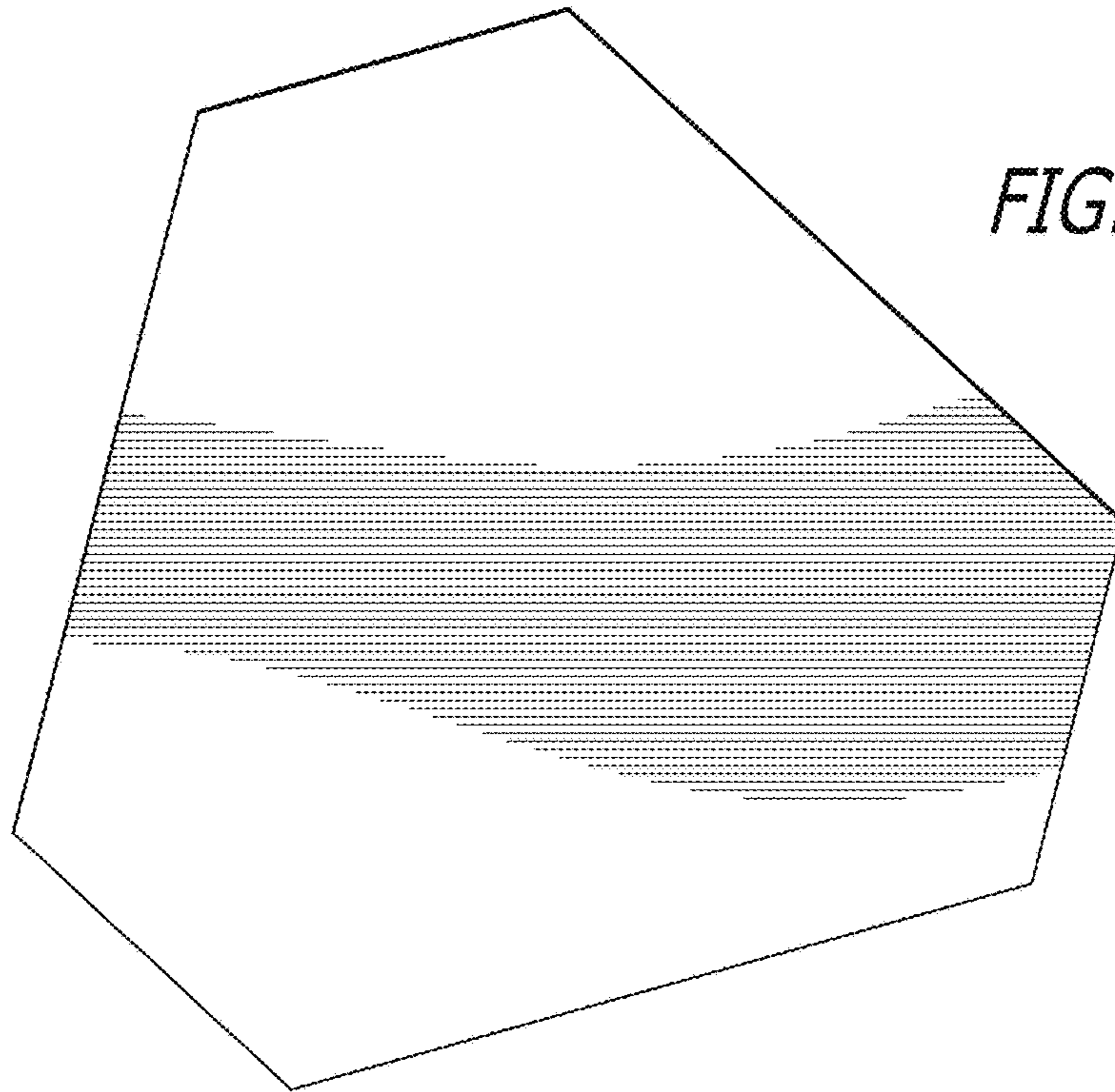


FIG. 6

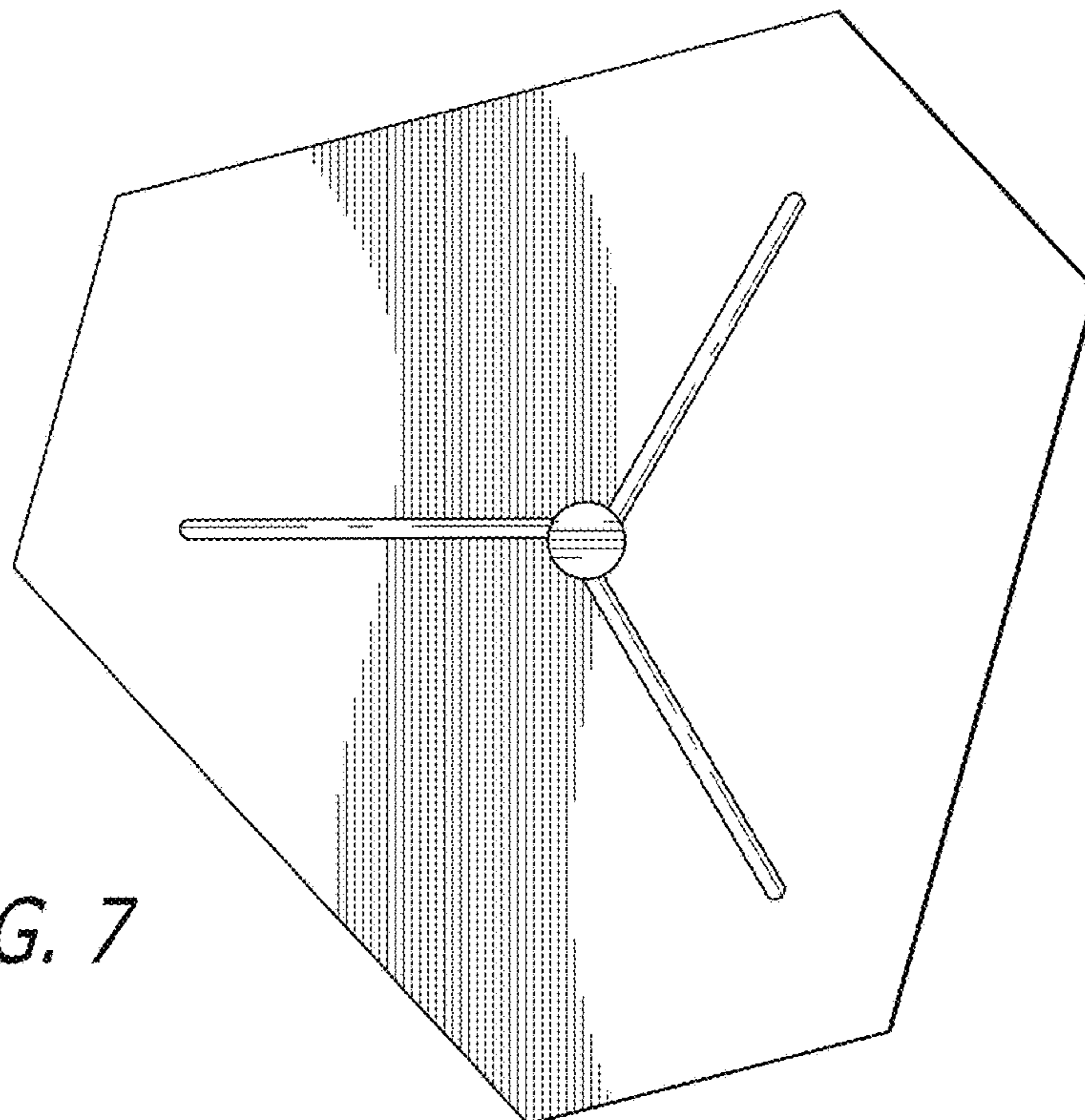


FIG. 7