



US00D802525S

(12) **United States Design Patent**  
**Mohr**

(10) **Patent No.:** **US D802,525 S**

(45) **Date of Patent:** **\*\* Nov. 14, 2017**

(54) **TRAY FOR MOUNTING ON A TIRE**

(71) Applicant: **Corey Mohr**, Winnipeg (CA)

(72) Inventor: **Corey Mohr**, Winnipeg (CA)

(\*\*) Term: **15 Years**

(21) Appl. No.: **29/543,260**

(22) Filed: **Oct. 22, 2015**

(51) **LOC (10) Cl.** ..... **12-15**

(52) **U.S. Cl.**  
USPC ..... **D12/604**

(58) **Field of Classification Search**  
USPC ..... D12/604, 202, 400, 424, 425, 415;  
D7/553.5, 550.1; D34/28; D6/406.5,  
D6/512; D3/304, 313  
CPC ..... B60R 11/06; B60R 11/00; B60R 9/065;  
B60R 9/06; B60R 9/00; B60S 3/04;  
B62D 43/10; B62D 33/02

See application file for complete search history.

(56) **References Cited**

U.S. PATENT DOCUMENTS

3,559,829	A *	2/1971	Shamel	.....	B62D 43/10
					224/42.21
D281,555	S *	12/1985	Levy	.....	D6/406.6
D321,300	S *	11/1991	Postic	.....	D6/406.6
D342,170	S *	12/1993	Palmer	.....	D12/419
D377,294	S *	1/1997	Brady	.....	D30/161
D396,438	S *	7/1998	Ellsworth	.....	D12/400
D415,995	S *	11/1999	Kanehl, Jr.	.....	D12/416

6,053,690	A *	4/2000	Hanson	.....	B62D 43/04
					224/42.21
D440,117	S *	4/2001	Claffy	.....	D7/553.2
D582,190	S *	12/2008	Valiulis	.....	D6/567
D596,902	S *	7/2009	Hrovat	.....	D7/550.1
D627,291	S *	11/2010	Lindsay, Jr.	.....	D12/416
D690,514	S *	10/2013	Shamp	.....	D3/304
D767,471	S *	9/2016	Jones	.....	D12/425
D770,771	S *	11/2016	Lisso	.....	D3/304
2005/0002765	A1 *	1/2005	Lambright	.....	B62D 43/04
					414/466

\* cited by examiner

*Primary Examiner* — George D. Kirschbaum

*Assistant Examiner* — Clese Moore, Jr.

(74) *Attorney, Agent, or Firm* — Adrian D. Battison; Ade & Company Inc.

(57) **CLAIM**

The ornamental design for a tray for mounting on a tire, as shown and described.

**DESCRIPTION**

FIG. 1 is a isometric view from the front and one side of the tray for mounting on a tire showing the design

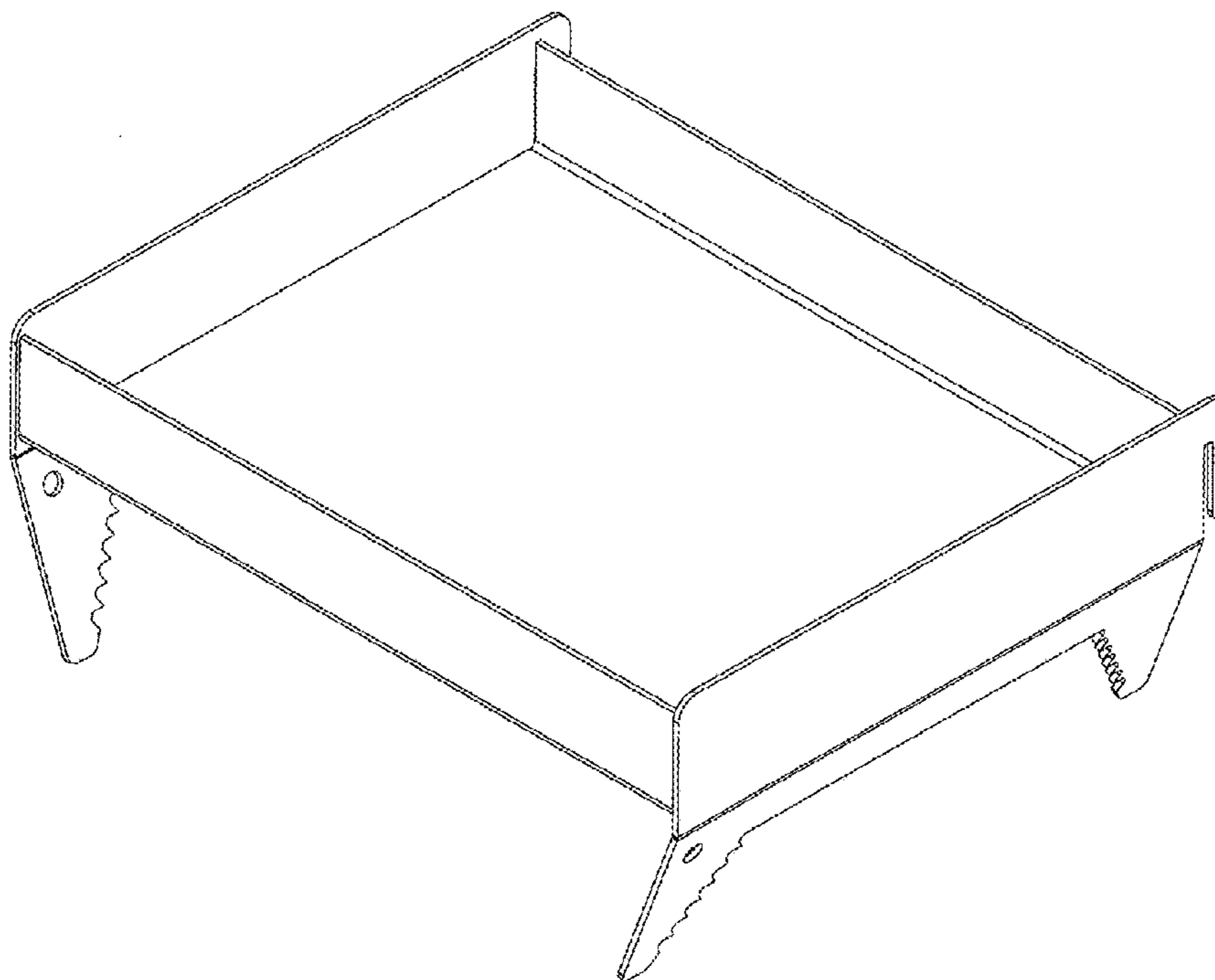
FIG. 2 is a bottom plan view of the tray for mounting on a tire showing the design

FIG. 3 is a front elevational view of the tray for mounting on a tire showing the design

FIG. 4 is a side elevational view of the tray for mounting on a tire showing the design; and,

FIG. 5 is a top plan view of the tray for mounting on a tire showing the design.

**1 Claim, 5 Drawing Sheets**



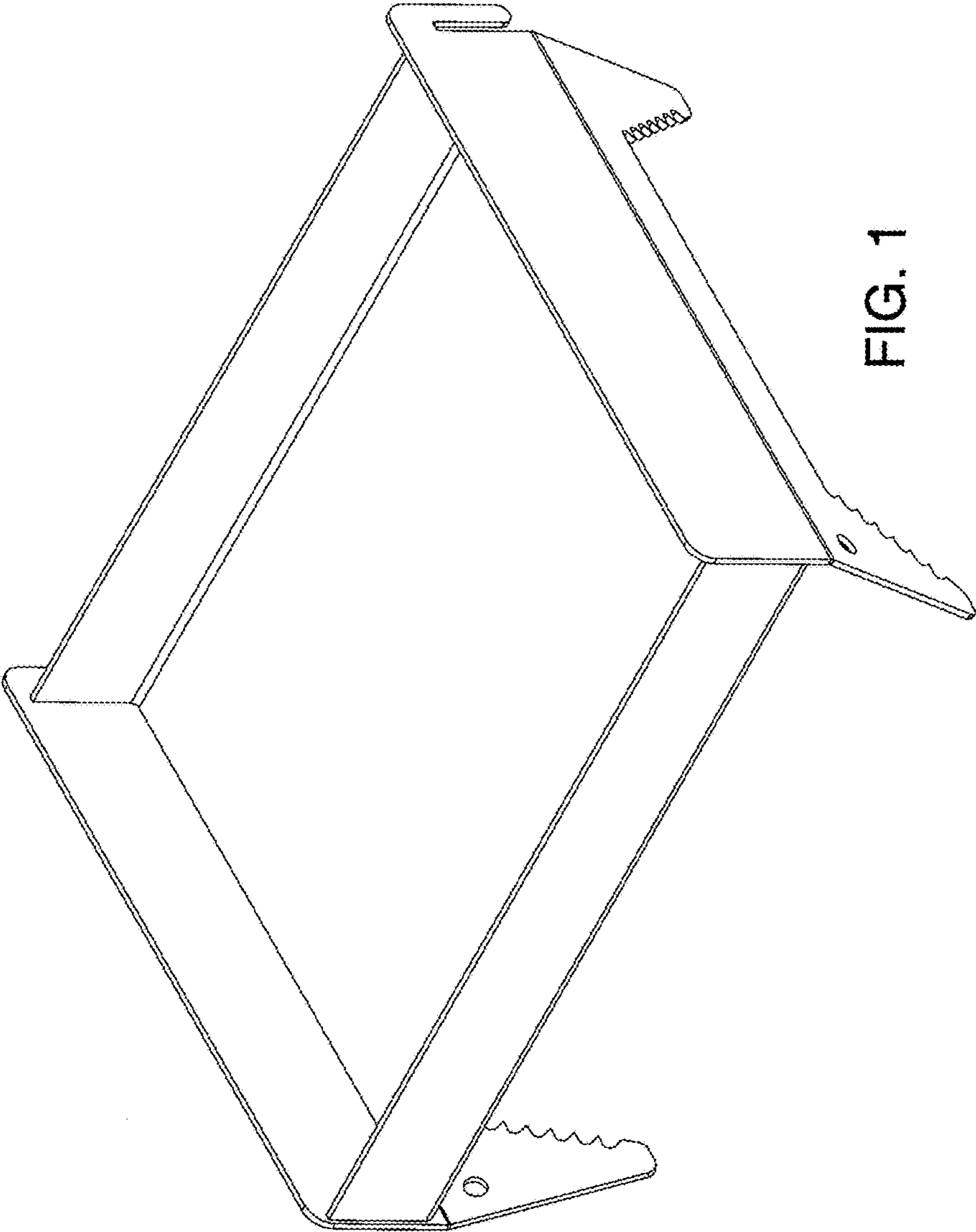


FIG. 1

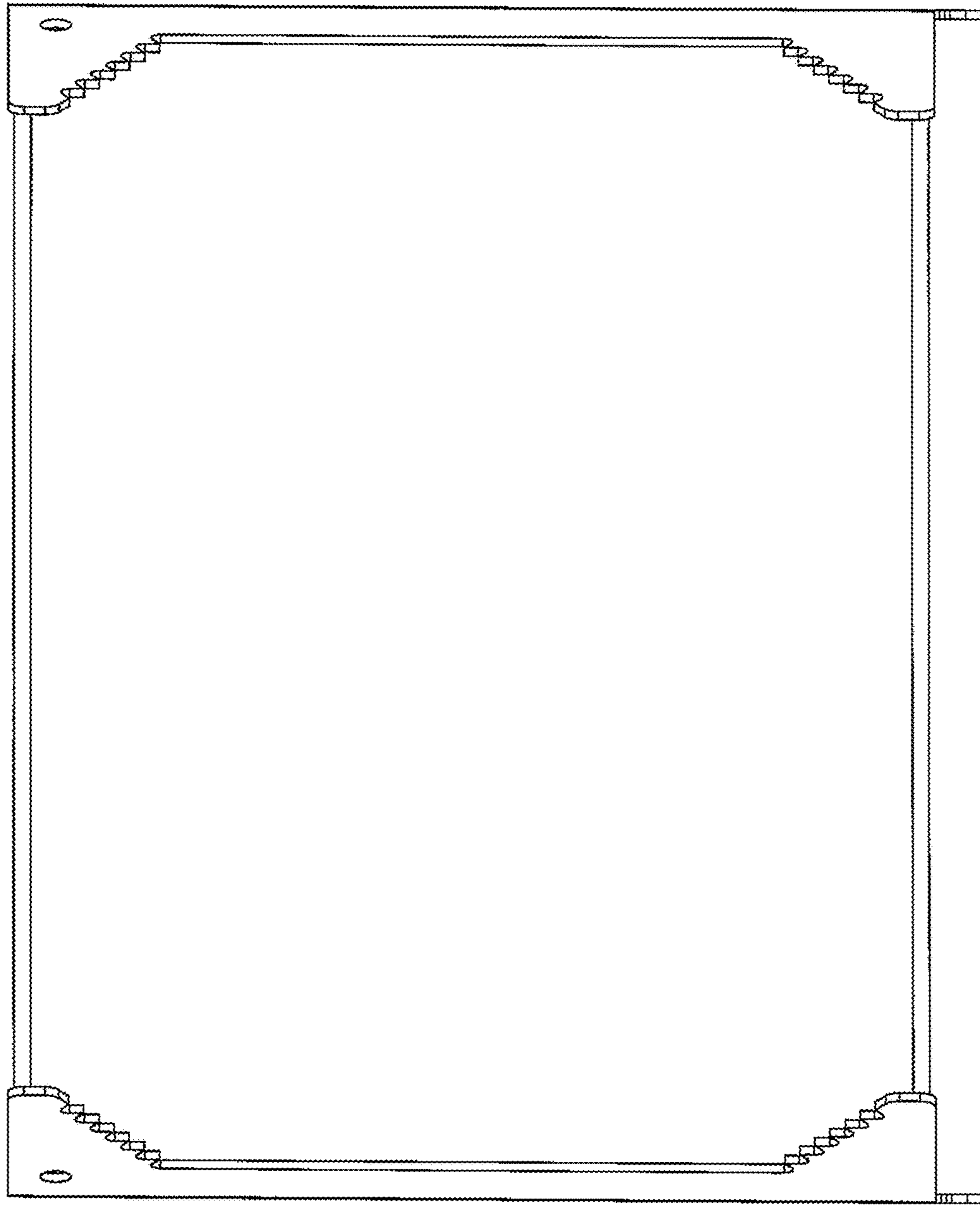


FIG. 2

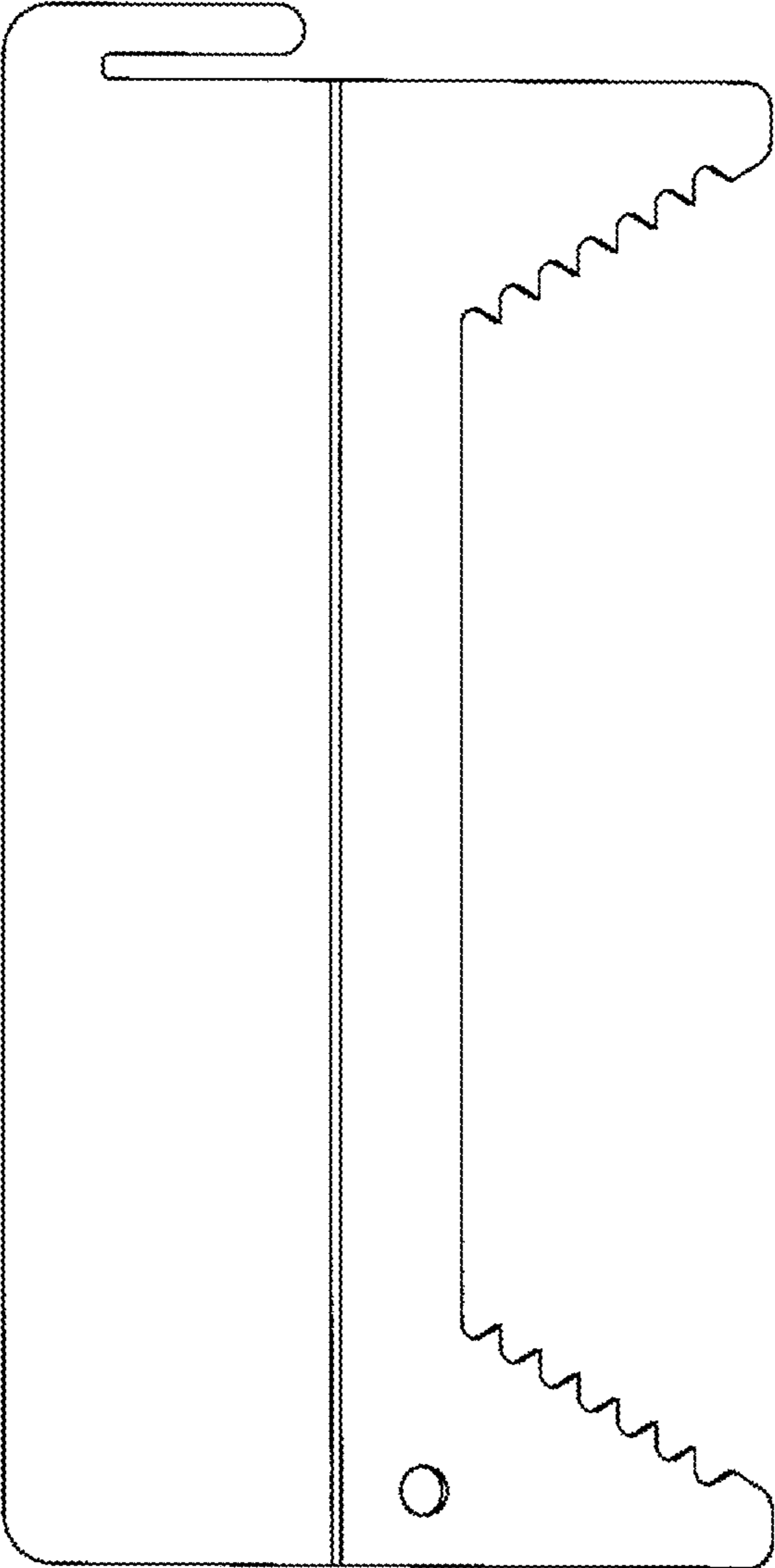


FIG. 3

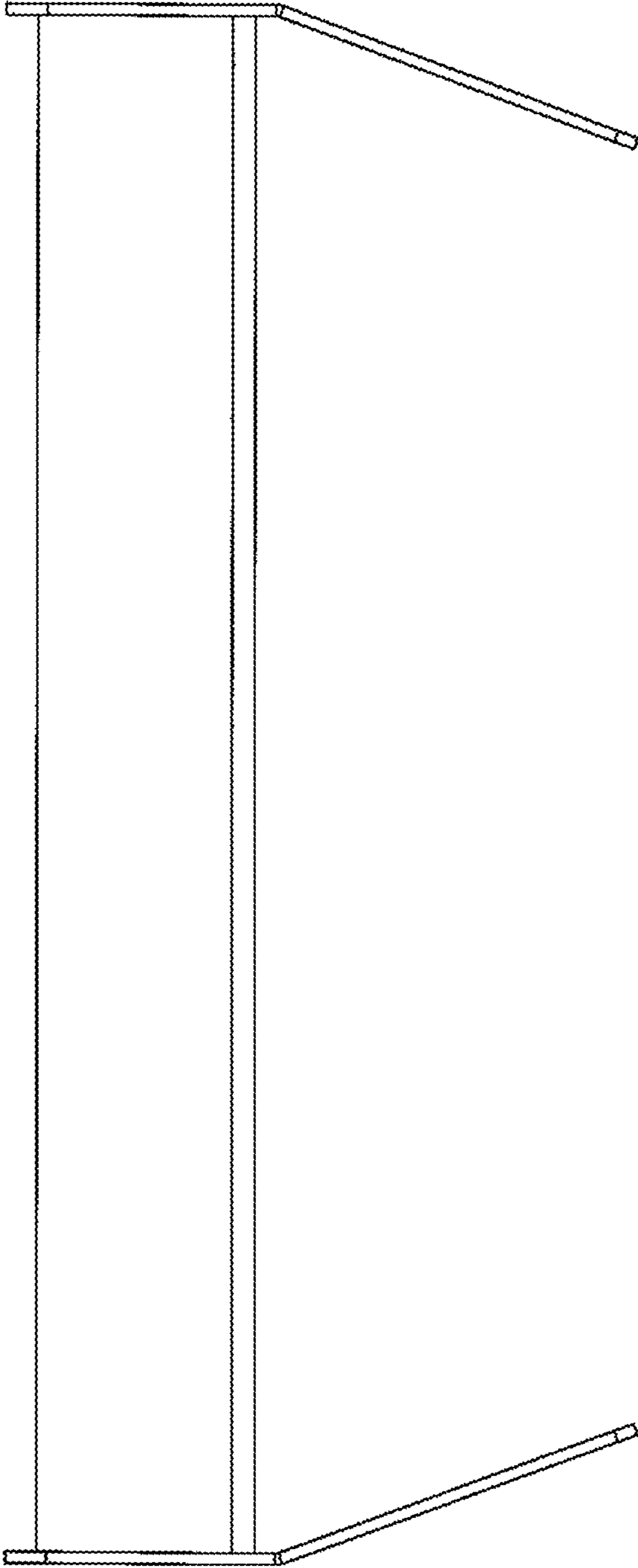


FIG. 4

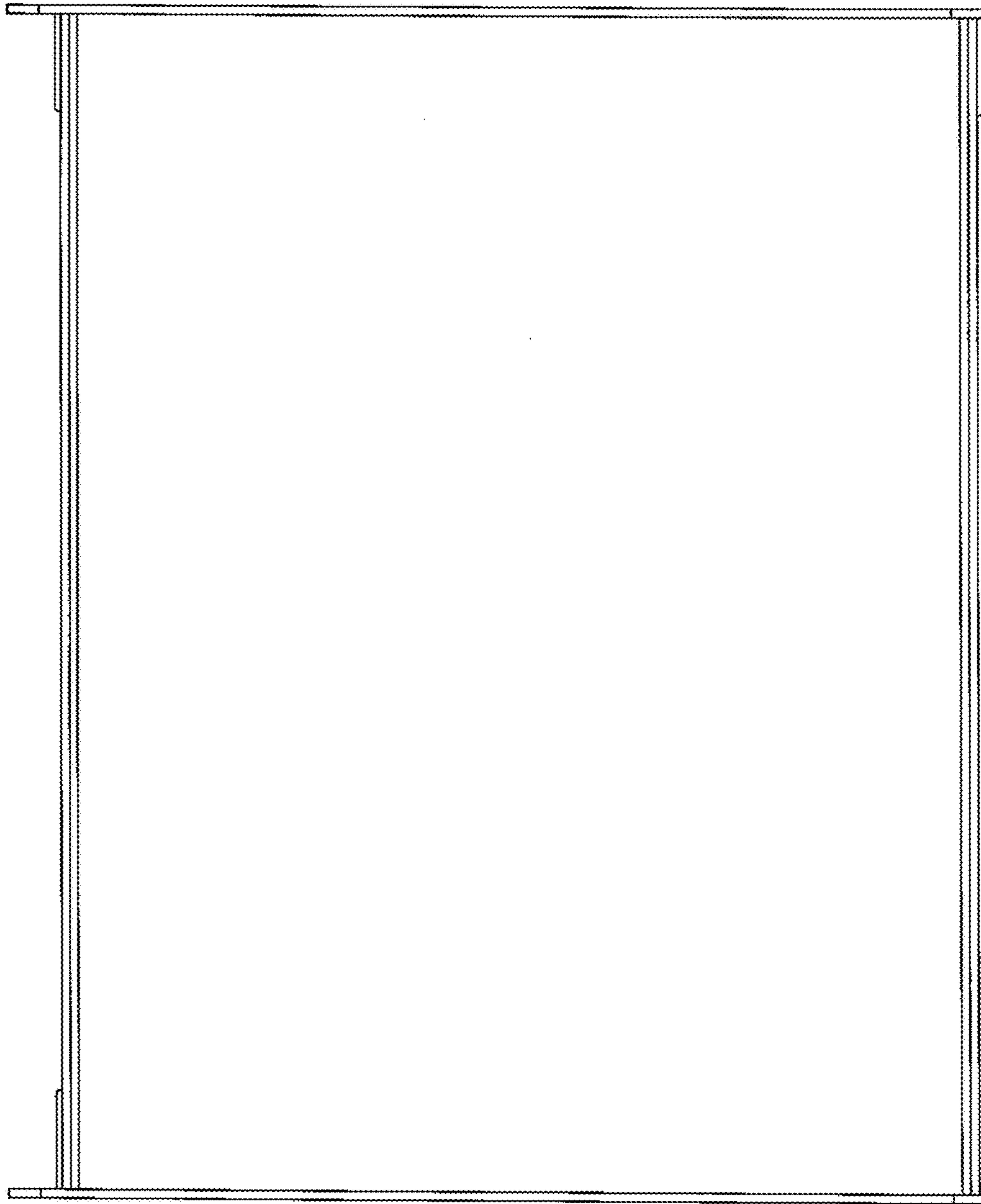


FIG. 5